



US00D850505S

(12) **United States Design Patent**  
**Bloom et al.**

(10) **Patent No.:** **US D850,505 S**  
(45) **Date of Patent:** **\*\* Jun. 4, 2019**

- (54) **LUBRICATION DISPENSE VALVE**
- (71) Applicant: **Graco Minnesota Inc.**, Minneapolis, MN (US)
- (72) Inventors: **Michael E. Bloom**, Anoka, MN (US); **Joshua R. Holmstadt**, St. Michael, MN (US); **Bradley G. Kahler**, Otsego, MN (US); **Benjamin J. Paar**, Minneapolis, MN (US); **Anthony J. Kuschel**, Coon Rapids, MN (US); **James R. Ebben**, Shoreview, MN (US); **Shane A. Norman**, Oak Grove, MN (US)
- (73) Assignee: **Graco Minnesota Inc.**, Minneapolis, MN (US)

5,487,418	A *	1/1996	Reyes	.....	B60K 15/0406
					141/392
D382,500	S *	8/1997	Johnson	.....	D10/101
6,032,922	A *	3/2000	Shew	.....	F16K 31/52433
					239/526
D428,903	S *	8/2000	Kerr	.....	D15/150
6,253,628	B1 *	7/2001	Steele	.....	B01L 3/0224
					73/864.15
6,443,328	B1 *	9/2002	Fehl	.....	B67D 7/303
					222/14
D495,615	S *	9/2004	King	.....	D10/96
7,055,384	B2 *	6/2006	Williams	.....	G01F 23/04
					33/722
D537,458	S *	2/2007	Breeser	.....	D15/150
D541,323	S *	4/2007	Tseng	.....	D15/150
D568,351	S *	5/2008	Giliberti	.....	D15/151
D594,490	S *	6/2009	Breeser	.....	D15/150
10,151,412	B2 *	12/2018	Bassaco	.....	F16D 25/08
2009/0309058	A1 *	12/2009	McArdle	.....	F16K 5/0471
					251/309

(\*\*) Term: **15 Years**

(21) Appl. No.: **29/641,696**

(22) Filed: **Mar. 23, 2018**

(51) **LOC (11) Cl.** ..... **15-09**

(52) **U.S. Cl.**  
USPC ..... **D15/150**

(58) **Field of Classification Search**  
USPC ..... D15/9.1, 150, 151, 152  
CPC ..... F16D 13/74; F16D 48/02; F16D 25/12;  
F16D 25/14; F16D 25/123; F16D  
25/0638; F16D 2048/0221; G01F 23/04  
See application file for complete search history.

(56) **References Cited**

**U.S. PATENT DOCUMENTS**

D95,118	S *	4/1935	Carter	.....	D15/9.1
2,063,412	A *	12/1936	Tear	.....	F16N 3/12
					222/256
D193,110	S *	6/1962	McDonald	.....	D15/9.1
D328,500	S	8/1992	Hardy		

**OTHER PUBLICATIONS**

Graco XD Series Electronic Meters brochure published Oct. 2015.  
(Continued)

*Primary Examiner* — Patricia A Palasik  
(74) *Attorney, Agent, or Firm* — Kyle Liudahl

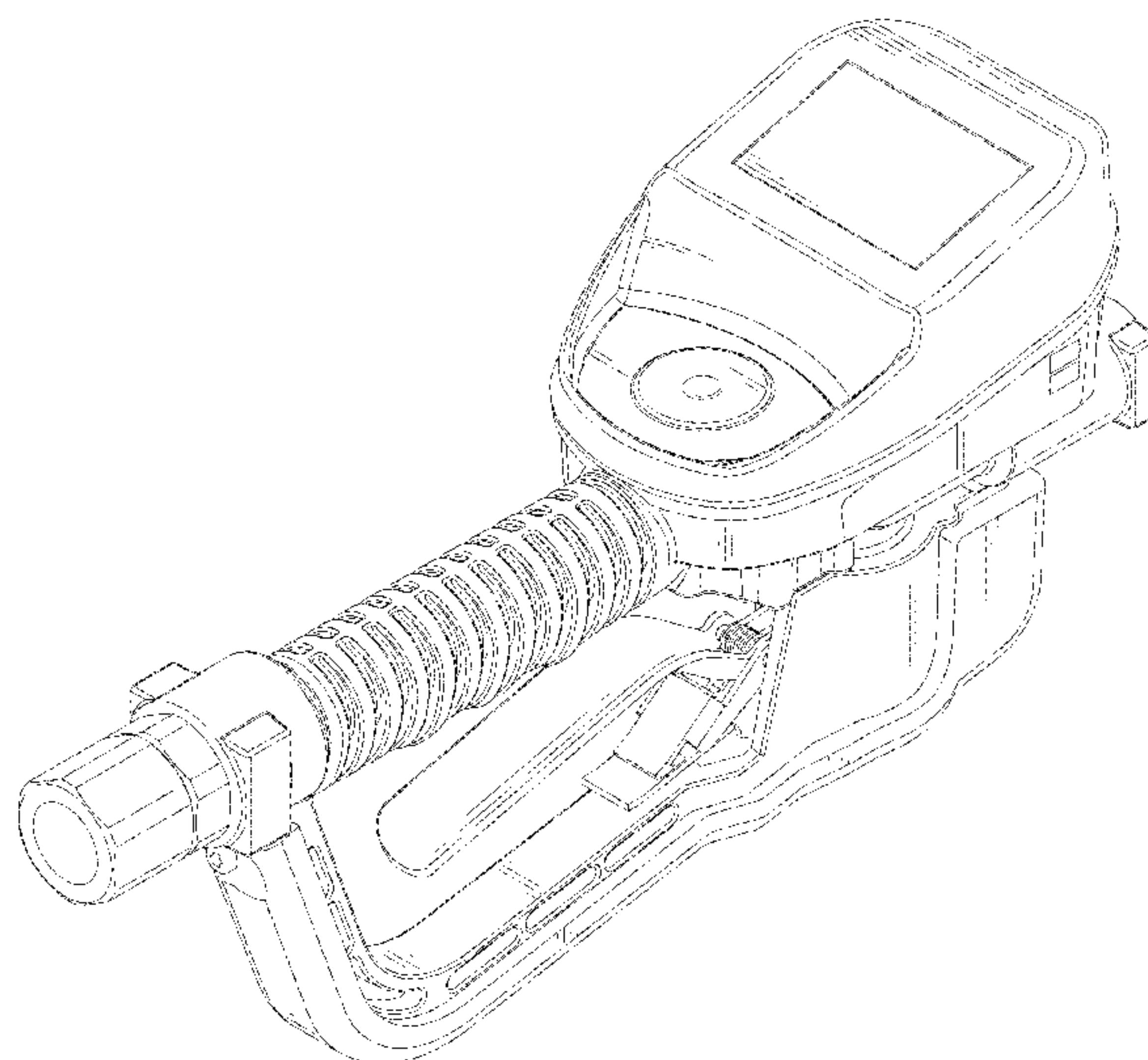
(57) **CLAIM**

The ornamental design for a lubrication dispense valve, as shown and described.

**DESCRIPTION**

FIG. 1 is a perspective view of a lubrication dispense valve; FIG. 2 is a front view thereof, FIG. 3 is a rear side view thereof, FIG. 4 is a top view thereof, FIG. 5 is a bottom side view thereof; FIG. 6 is a left view thereof; and, FIG. 7 is a right view of a lubrication dispense valve.

**1 Claim, 7 Drawing Sheets**



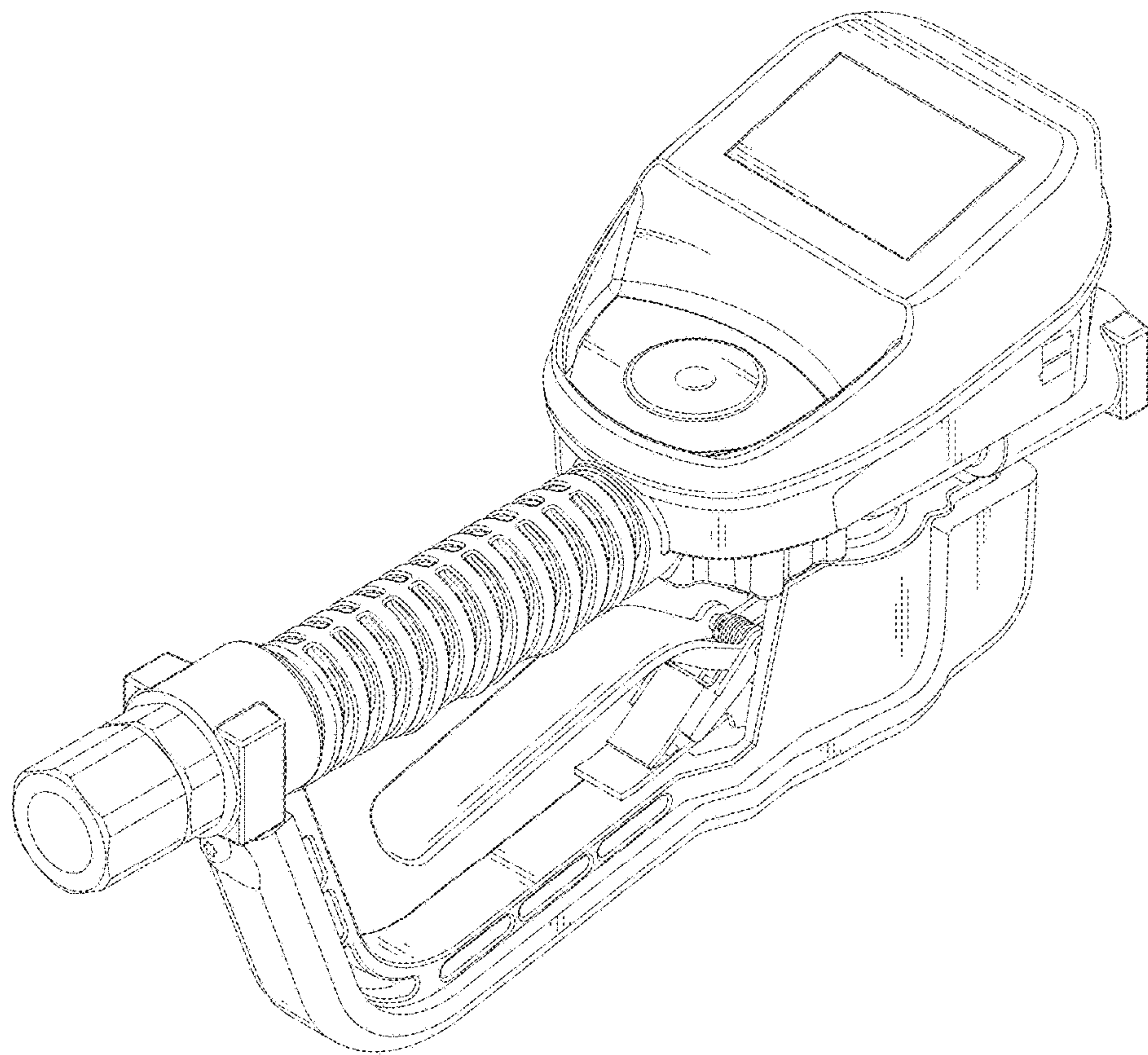
(56)

**References Cited**

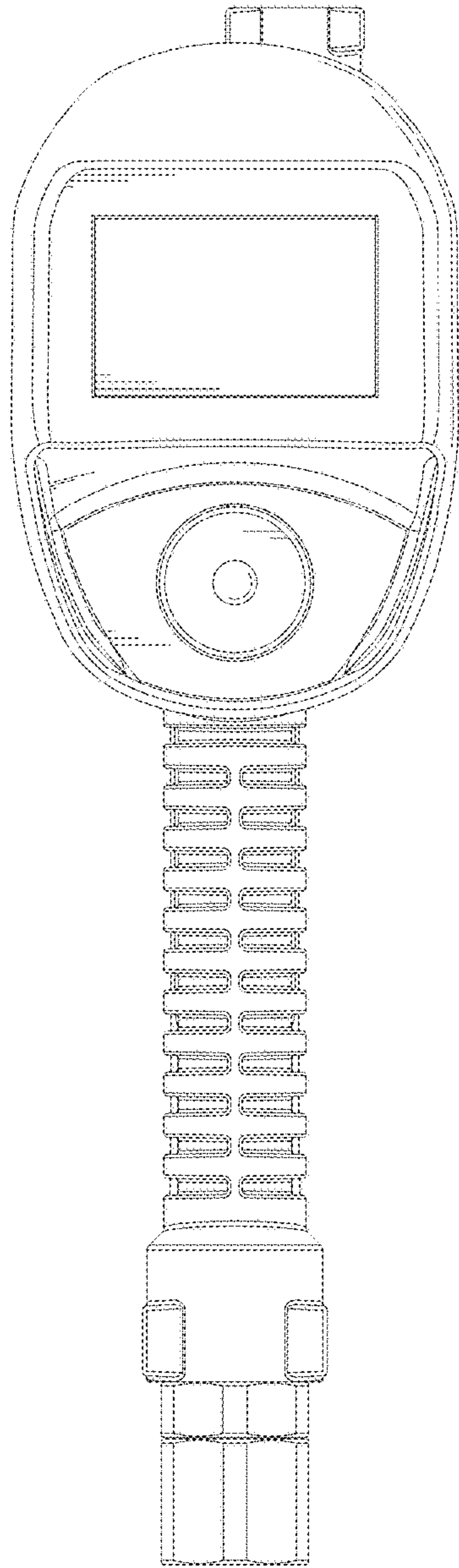
OTHER PUBLICATIONS

American Lubrication Equipment Corporation TIM-600 Pro Series  
Digital Control Handle Parts Breakdown Chart dated Feb. 2017.  
American Lubrication Equipment Metered Control Handles webpage  
printed May 10, 2018 (another view of Non Patent Literature #2)  
Alemite Electronic Meter flyer dated Oct. 2005.  
Piusi USA Fuel & Oil Solutions Catalog, oil nozzles depicted on p.  
26 and 27, dated Aug. 2017.

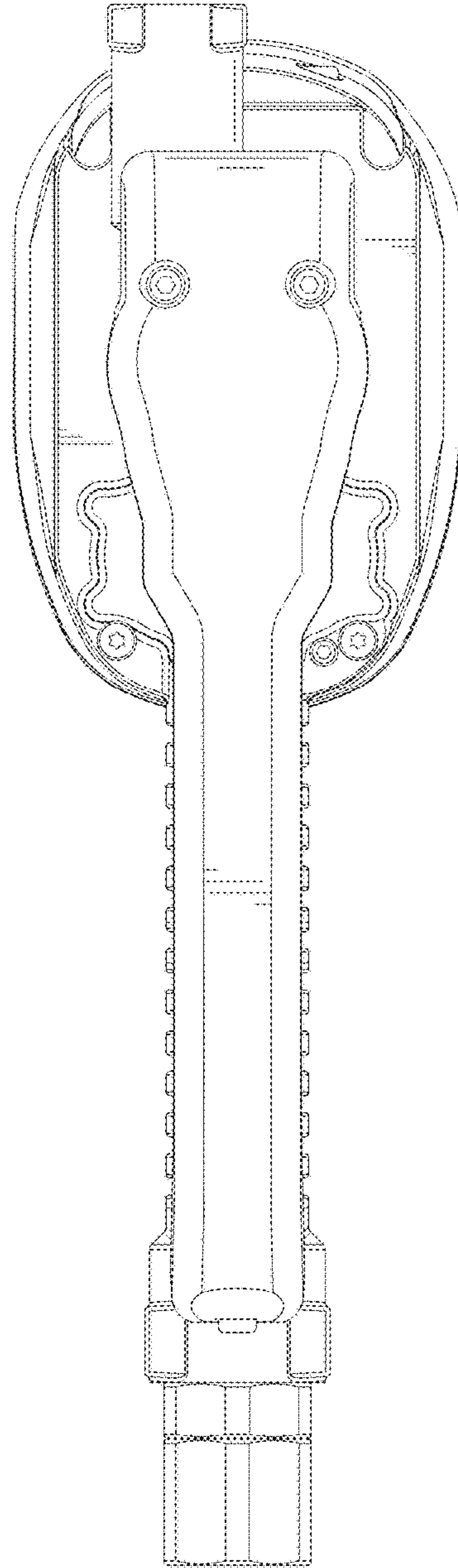
\* cited by examiner



**FIG. 1**

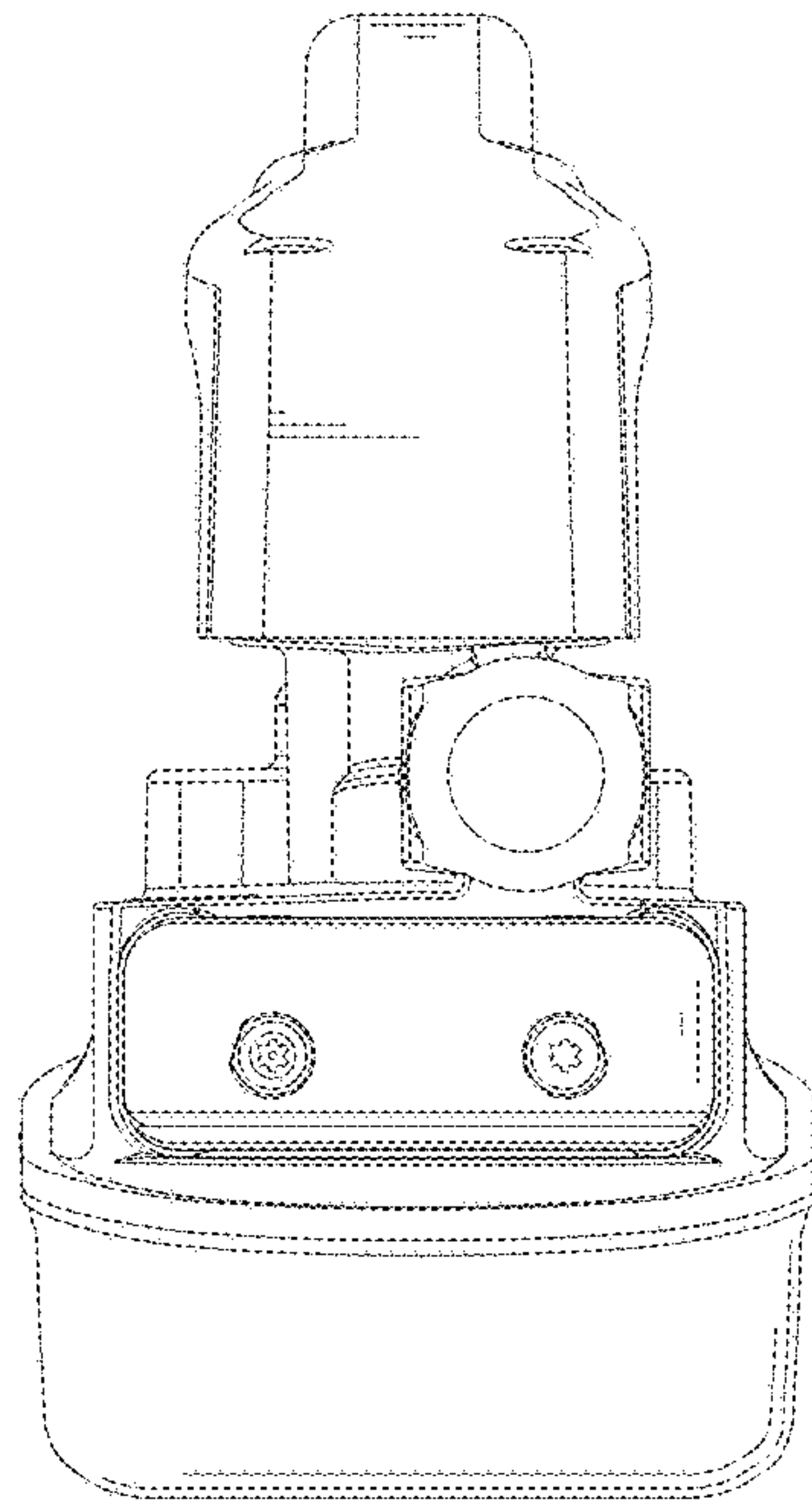


**FIG. 2**

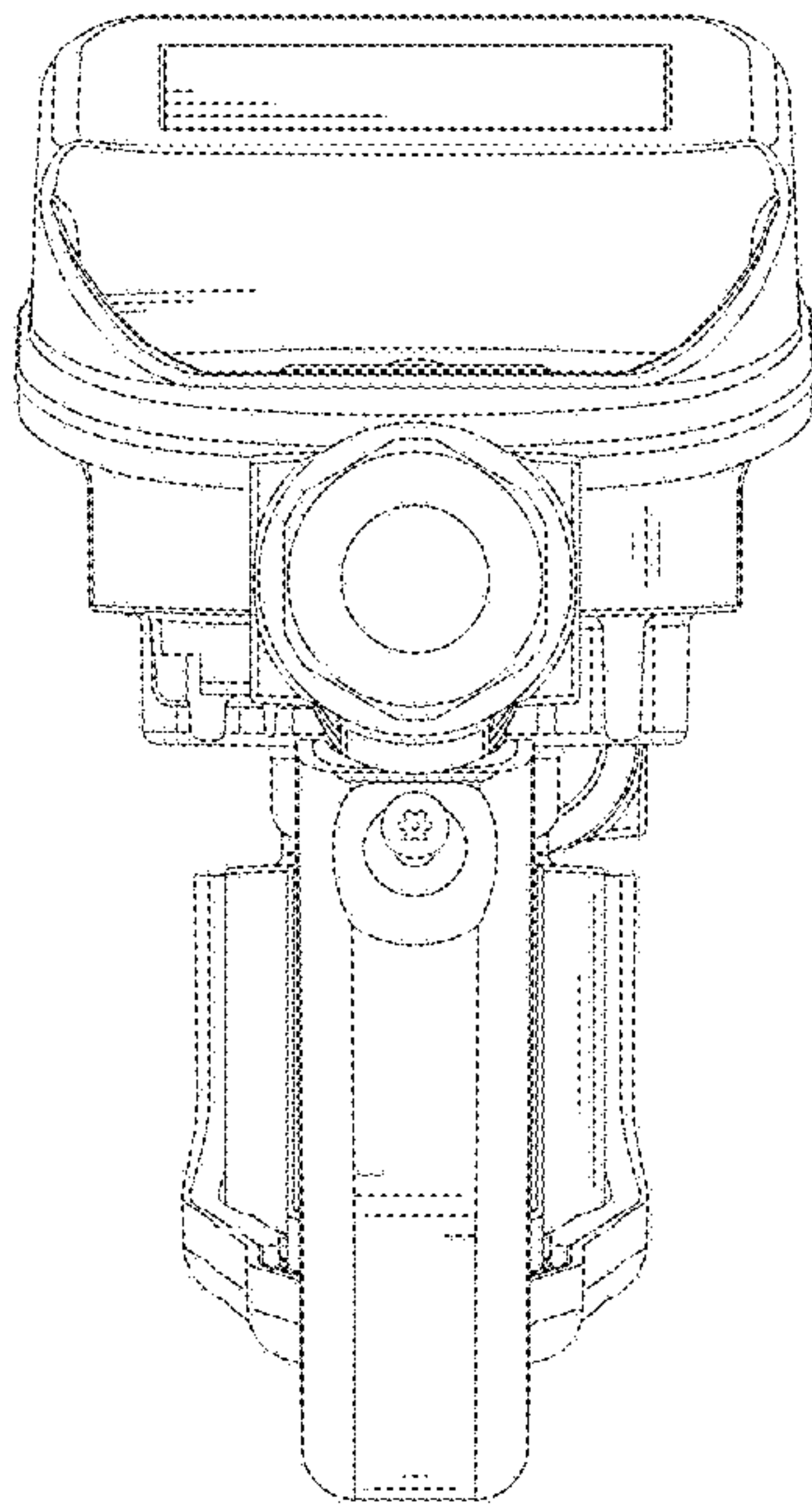


**FIG. 3**

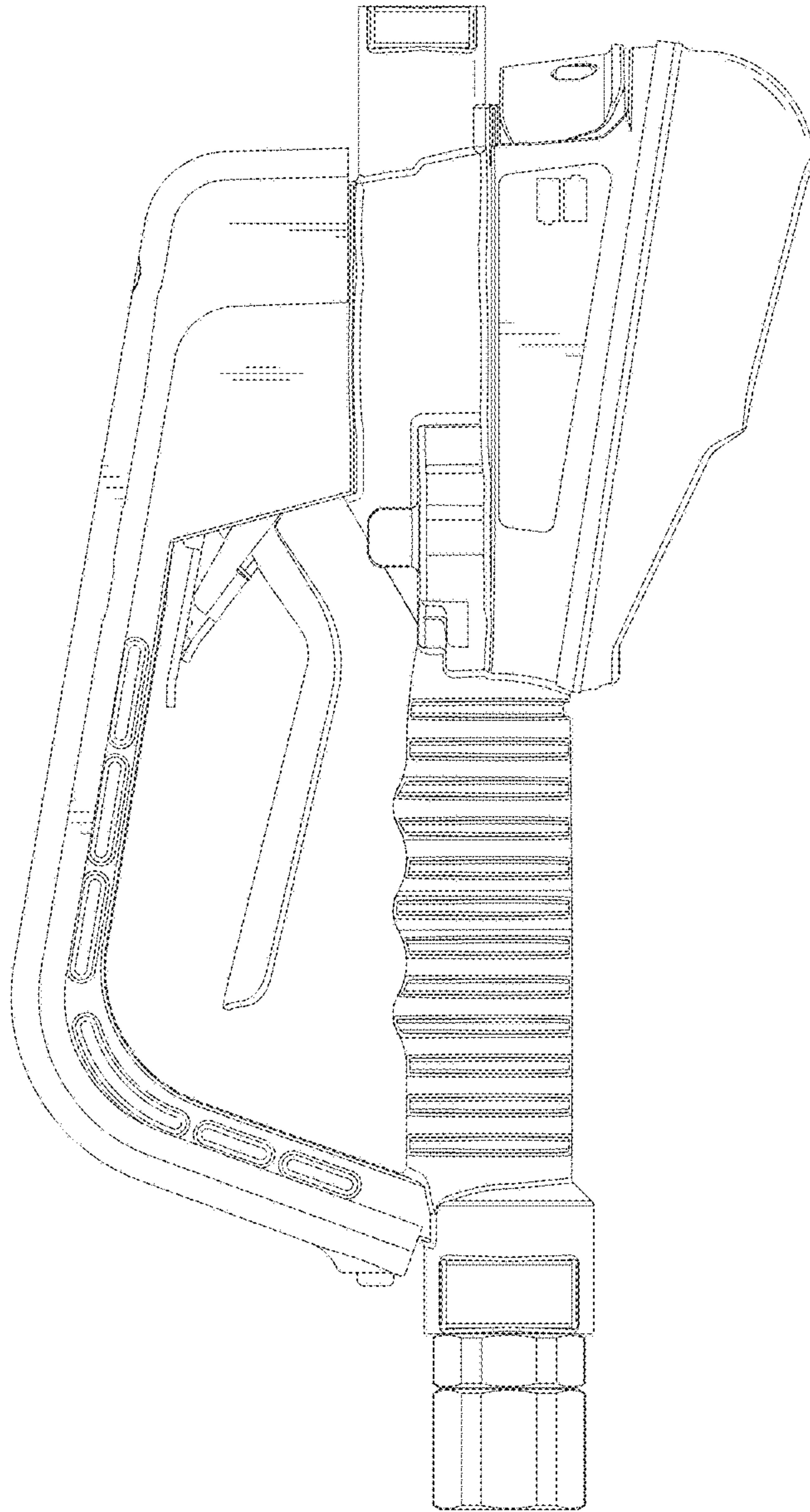




**FIG. 4**

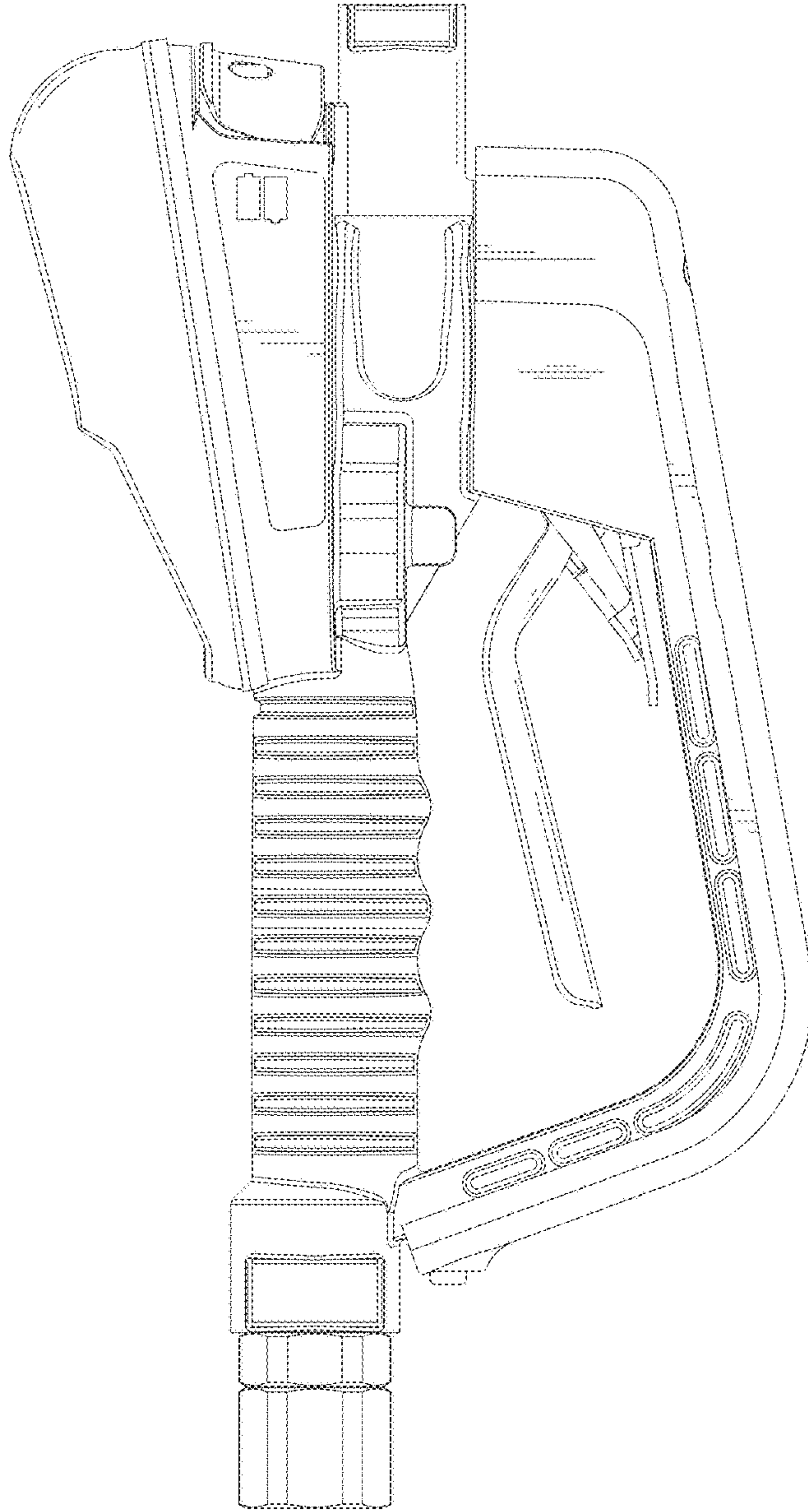


**FIG. 5**



**FIG. 6**





**FIG. 7**