



US00D850504S

(12) **United States Design Patent** (10) **Patent No.:** **US D850,504 S**
Welter (45) **Date of Patent:** **** Jun. 4, 2019**

(54) **TRANSMISSION MOUNT** D672,870 S * 12/2012 Bertelsen A61F 9/0026
D24/120
(71) Applicant: **Twist Aftermarket, LLC**, Sarasota, FL D752,417 S * 3/2016 Witting D8/354
(US) D761,085 S * 7/2016 Cox D8/354
D787,916 S * 5/2017 Yuan D12/223
(72) Inventor: **Jeffrey P. Welter**, Sikeston, MO (US) D805,218 S * 12/2017 Malone D25/68
2008/0173783 A1* 7/2008 Bunker F16F 1/377
248/634
(73) Assignee: **Twist Aftermarker, LLC**, Sarasota, FL (US)

(**) Term: **15 Years**
(21) Appl. No.: **29/565,695**

(22) Filed: **May 24, 2016**
(51) **LOC (11) Cl.** **15-99**
(52) **U.S. Cl.**
USPC **D15/149**
(58) **Field of Classification Search**
USPC D15/149
CPC B60K 17/00
See application file for complete search history.

- (56) **References Cited**
- U.S. PATENT DOCUMENTS
- D279,570 S * 7/1985 Gentile D12/160
D327,488 S * 6/1992 Davila D15/140
D331,186 S * 11/1992 Sachs D8/380
5,551,661 A * 9/1996 Bunker B60K 17/00
248/634
D375,314 S * 11/1996 Tagliani D14/253
5,788,206 A * 8/1998 Bunker B60K 17/00
248/634
5,788,207 A * 8/1998 Bunker B60K 17/00
248/634
D468,792 S * 1/2003 Jacoway D21/801
D600,535 S * 9/2009 Rix D8/354
D615,387 S * 5/2010 Prichard D8/354
D615,848 S * 5/2010 Prichard D8/354
D619,446 S * 7/2010 Reti D8/354
D650,483 S * 12/2011 Roggenkamp D24/184

OTHER PUBLICATIONS

“WP Boosted transmission mount install Polaris slingshot rear exit turbo exhaust.” Found online Jun. 9, 2018 at www.youtube.com. Video published Apr. 5, 2017. Retrieved from URL: <https://www.youtube.com/watch?v=oJVIC11pXL0> (Year: 2017).*

* cited by examiner

Primary Examiner — Garth Rademaker
Assistant Examiner — Katelin G Kloberg
(74) *Attorney, Agent, or Firm* — Dinsmore & Shohl LLP

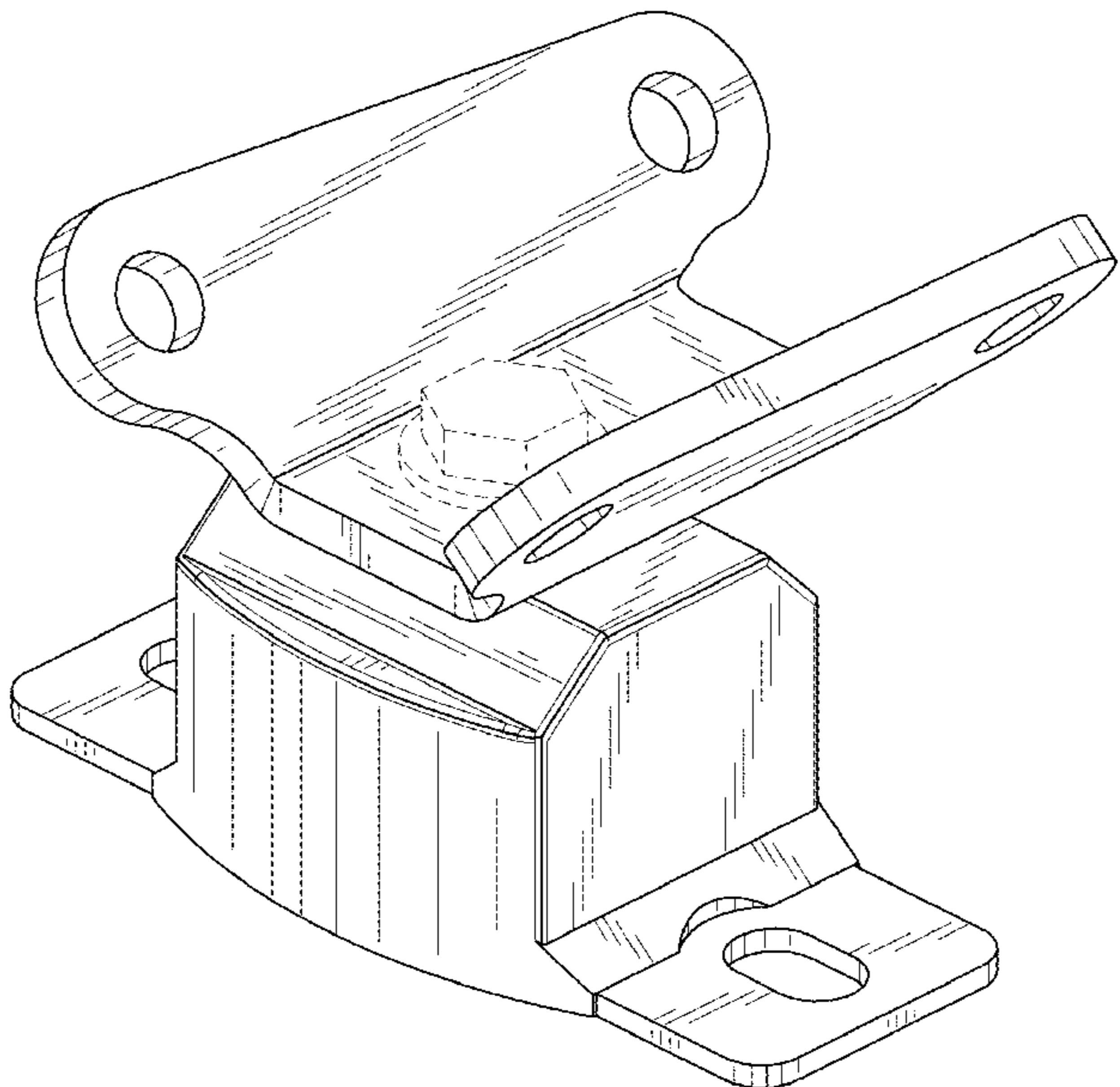
(57) **CLAIM**

The ornamental design for a transmission mount, as shown and described.

DESCRIPTION

FIG. 1 is a perspective view of a transmission mount, showing my new design;
FIG. 2 is a front elevation view thereof;
FIG. 3 is a top plan view thereof;
FIG. 4 is a right side elevation view thereof;
FIG. 5 is a left side elevation view thereof;
FIG. 6 is a rear elevation view thereof; and,
FIG. 7 is a bottom plan view thereof.
The broken lines showing in the figures are included for the purpose of illustrating portions of the transmission mount that form no part of the claimed design.

1 Claim, 4 Drawing Sheets



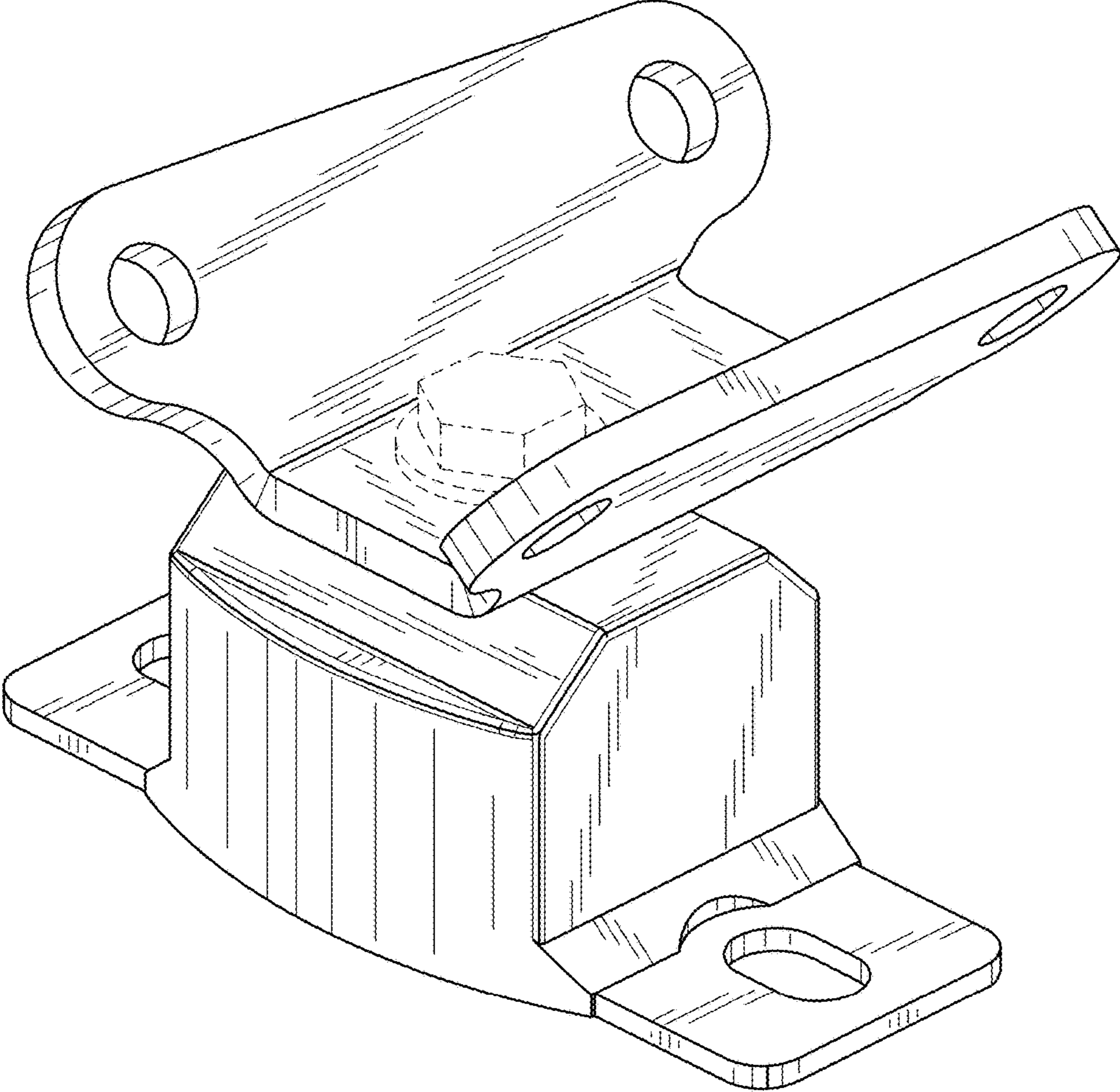


FIG. 1

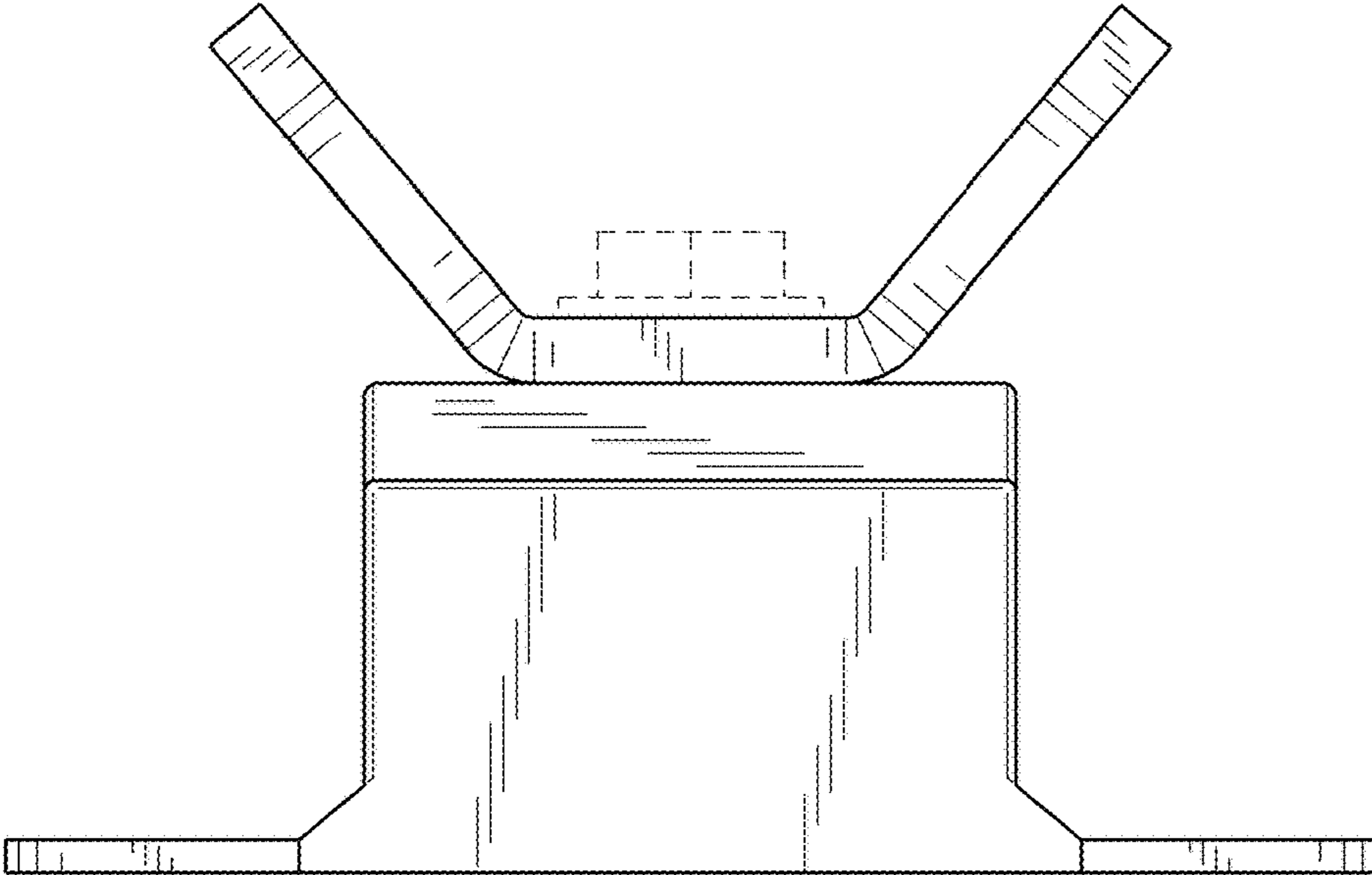


FIG. 2

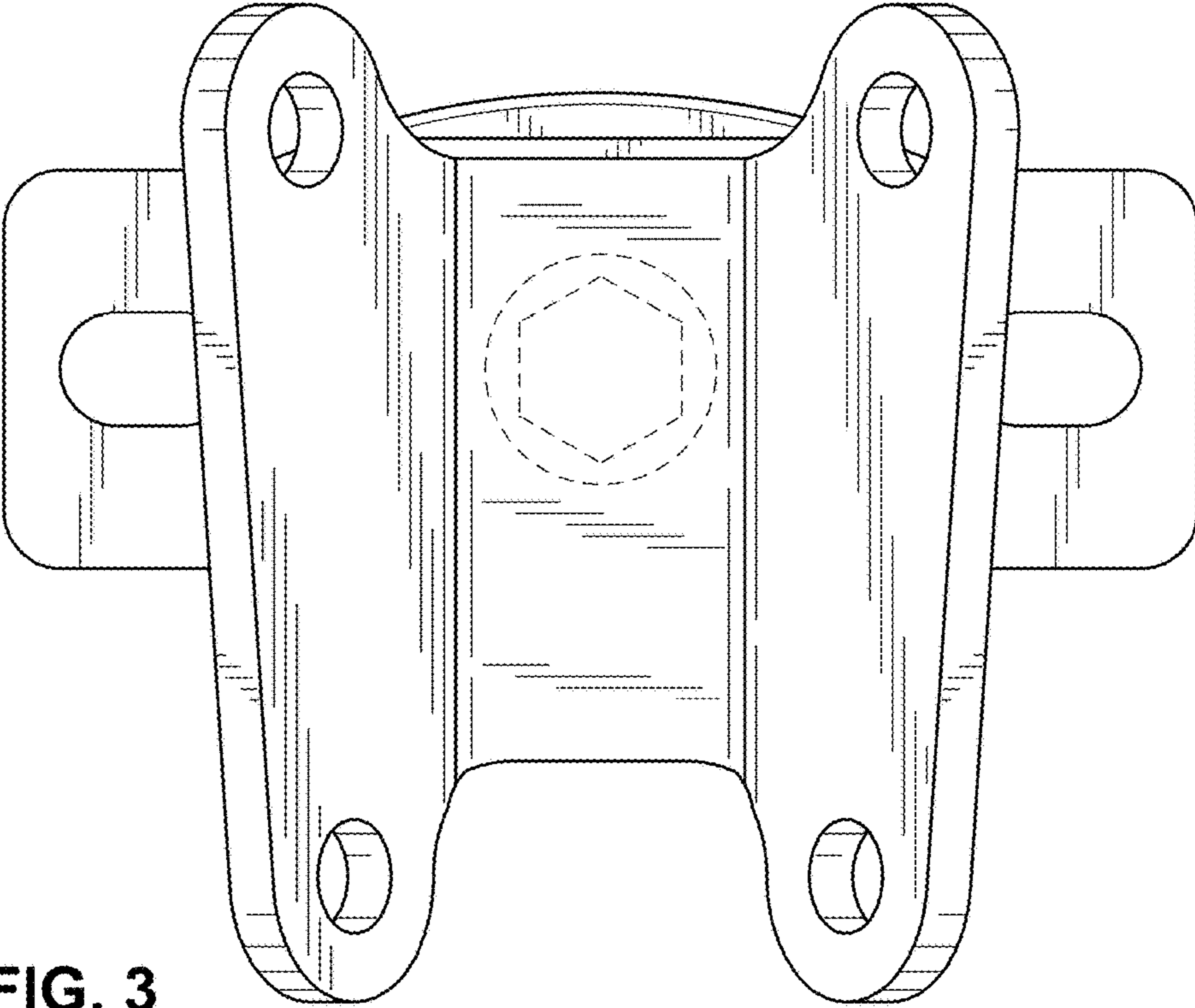


FIG. 3

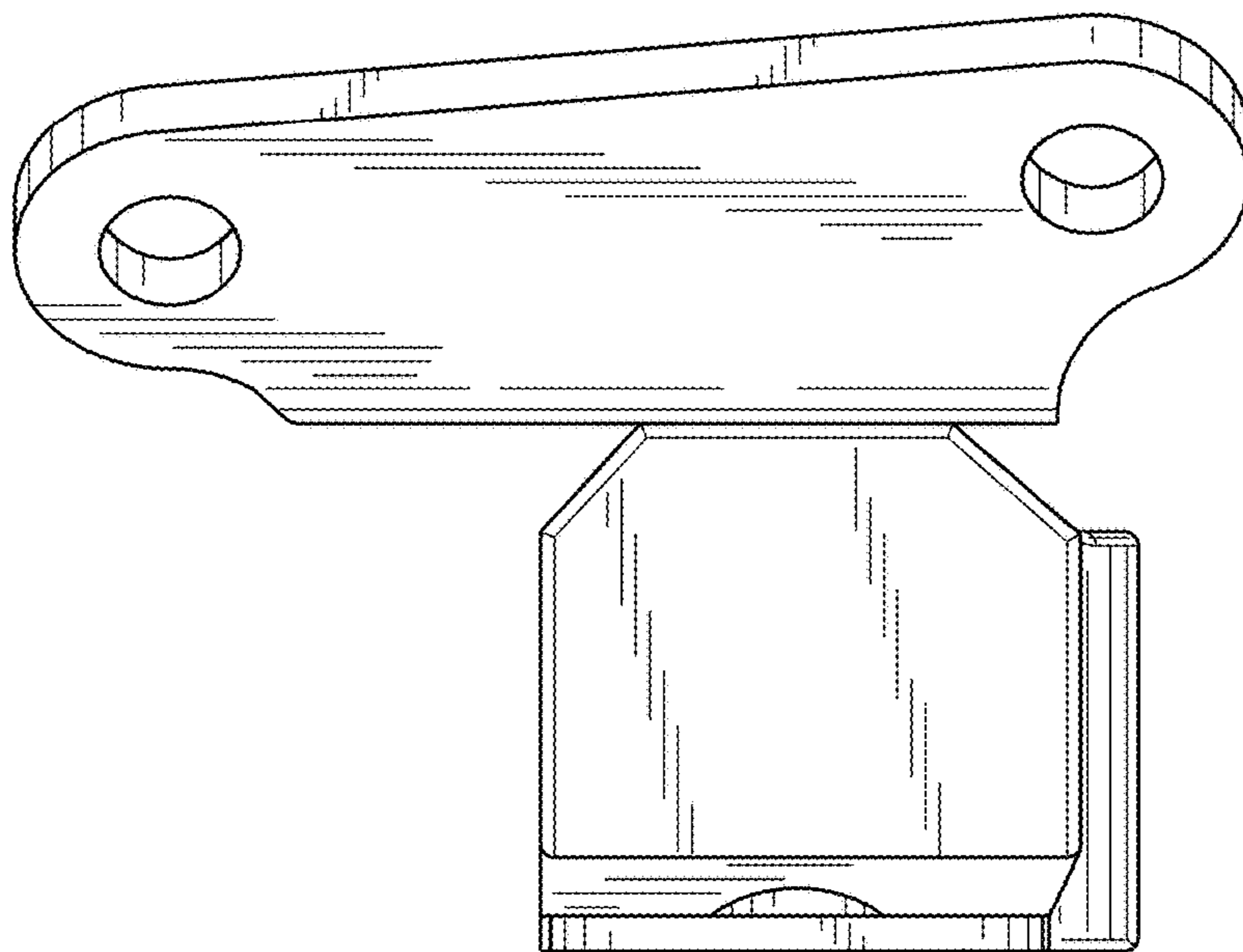


FIG. 4

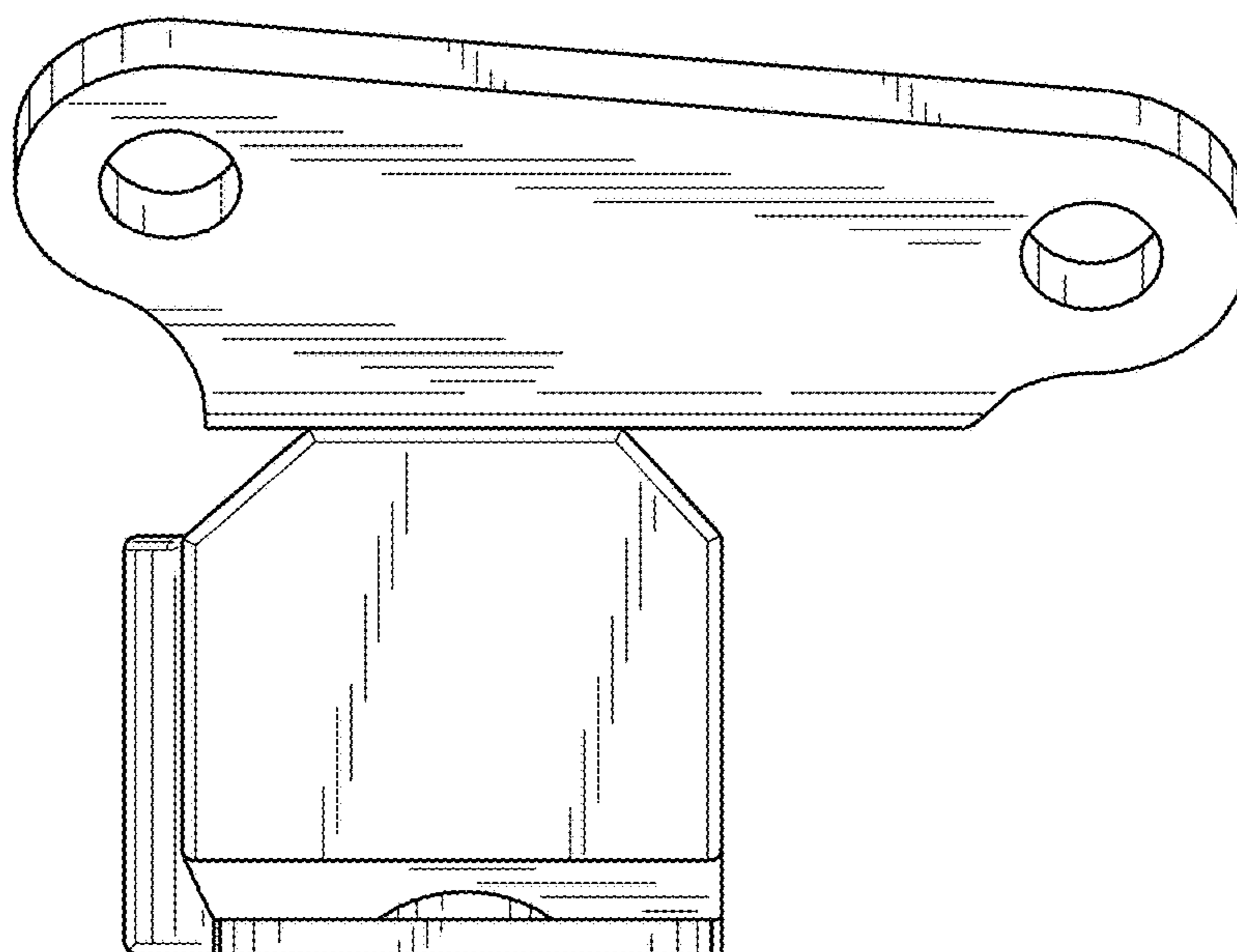


FIG. 5

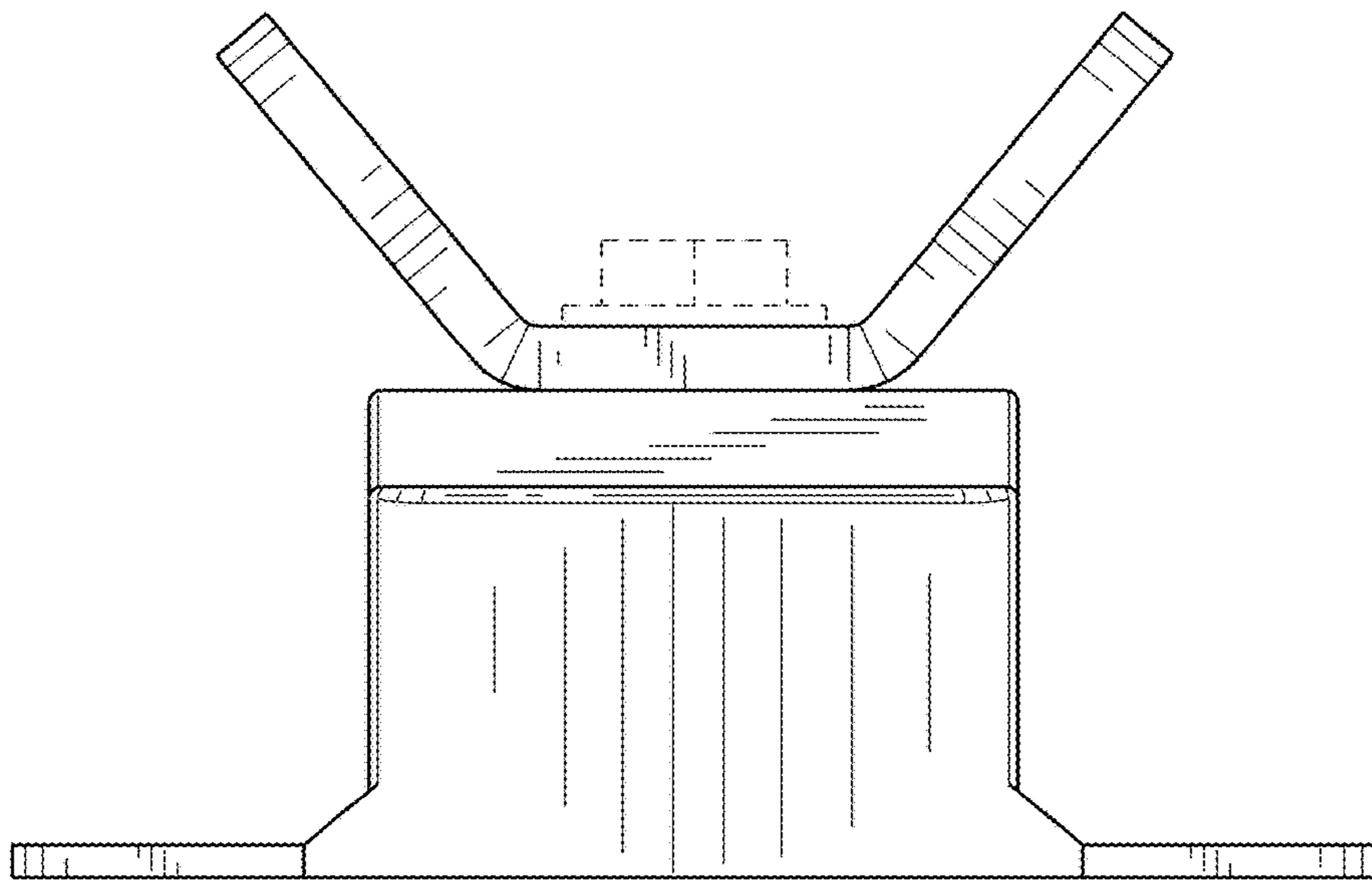


FIG. 6

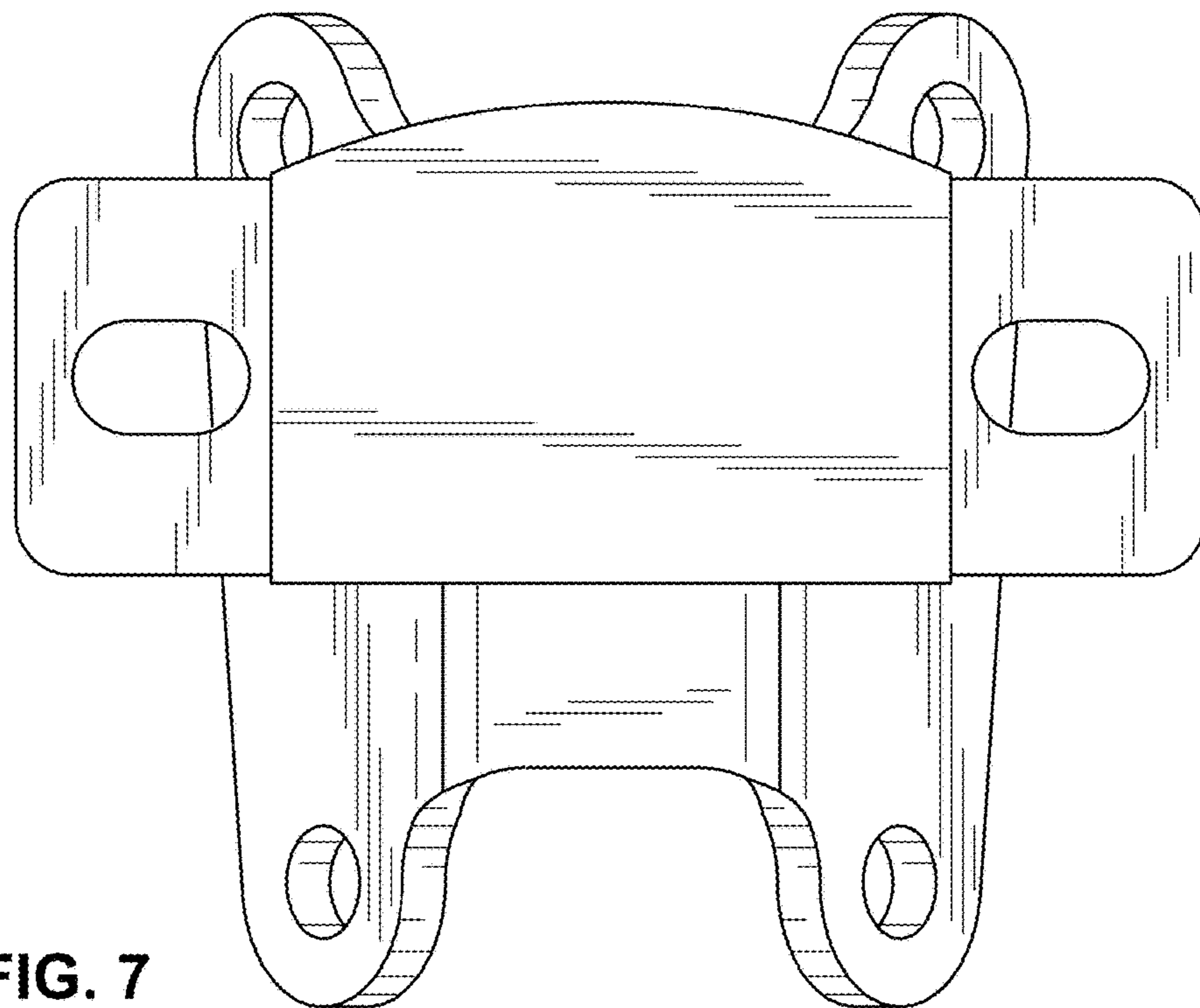


FIG. 7