



US00D850502S

(12) **United States Design Patent**
Link et al.

(10) **Patent No.:** **US D850,502 S**
(45) **Date of Patent:** **** Jun. 4, 2019**

- (54) **PRESS APPARATUS FOR BATH MIXTURE MOLD**
- (71) Applicant: **Milliard Enterprises Limited Liability Company**, Lakewood, NJ (US)
- (72) Inventors: **Joseph Link**, Lakewood, NJ (US); **Simcha Bunim Newmark**, Lakewood, NJ (US); **Yaakov Landsman**, Lakewood, NJ (US); **Belinda Huangpan**, Changsha (CN); **Liu Wu**, Dongguan (CN); **Deng Wujun**, Dongguan (CN); **Victor Zhoulang**, Changsha (CN)
- (73) Assignee: **Milliard Enterprises Limited Liability Company**, Lakewood, NJ (US)

D158,021	S	*	4/1950	Stanland	D8/59
2,566,579	A	*	9/1951	Nichols	B23Q 5/14 474/73
2,579,459	A	*	12/1951	Allen	B23B 39/00 173/19
3,837,757	A	*	9/1974	Levine	B23Q 5/10 408/135
D257,679	S	*	12/1980	Cleary	D15/132
D273,496	S	*	4/1984	House, II	D15/132
D280,626	S	*	9/1985	Chen	D15/132
D284,970	S	*	8/1986	Wolff	D15/132
D386,192	S	*	11/1997	Chen	D15/132
D393,648	S	*	4/1998	Chen	D15/132
D401,947	S	*	12/1998	Chen	D15/132
D493,182	S	*	7/2004	Hosking	D15/132
D541,318	S	*	4/2007	Etter	D15/132
D541,319	S	*	4/2007	Etter	D15/132
2005/0214083	A1	*	9/2005	Chen	B28D 1/143 408/89

(**) Term: **15 Years**

(21) Appl. No.: **29/644,212**

(22) Filed: **Apr. 16, 2018**

(51) **LOC (11) Cl.** **15-09**

(52) **U.S. Cl.**
USPC **D15/132**

(58) **Field of Classification Search**
USPC D15/132, 135, 136
CPC B23B 39/00; Y10S 408/23; Y10S 408/675;
Y10S 408/705; Y10S 408/6774
See application file for complete search history.

(56) **References Cited**

U.S. PATENT DOCUMENTS

D55,387	S	*	6/1920	Leckinger	D15/132
1,994,772	A	*	3/1935	Landriani	B23B 39/00 125/30.01
D117,777	S	*	11/1939	Ayers	D15/132

* cited by examiner

Primary Examiner — Patricia A Palasik

(74) *Attorney, Agent, or Firm* — The Van Winkle Law Firm; William G. Heedy

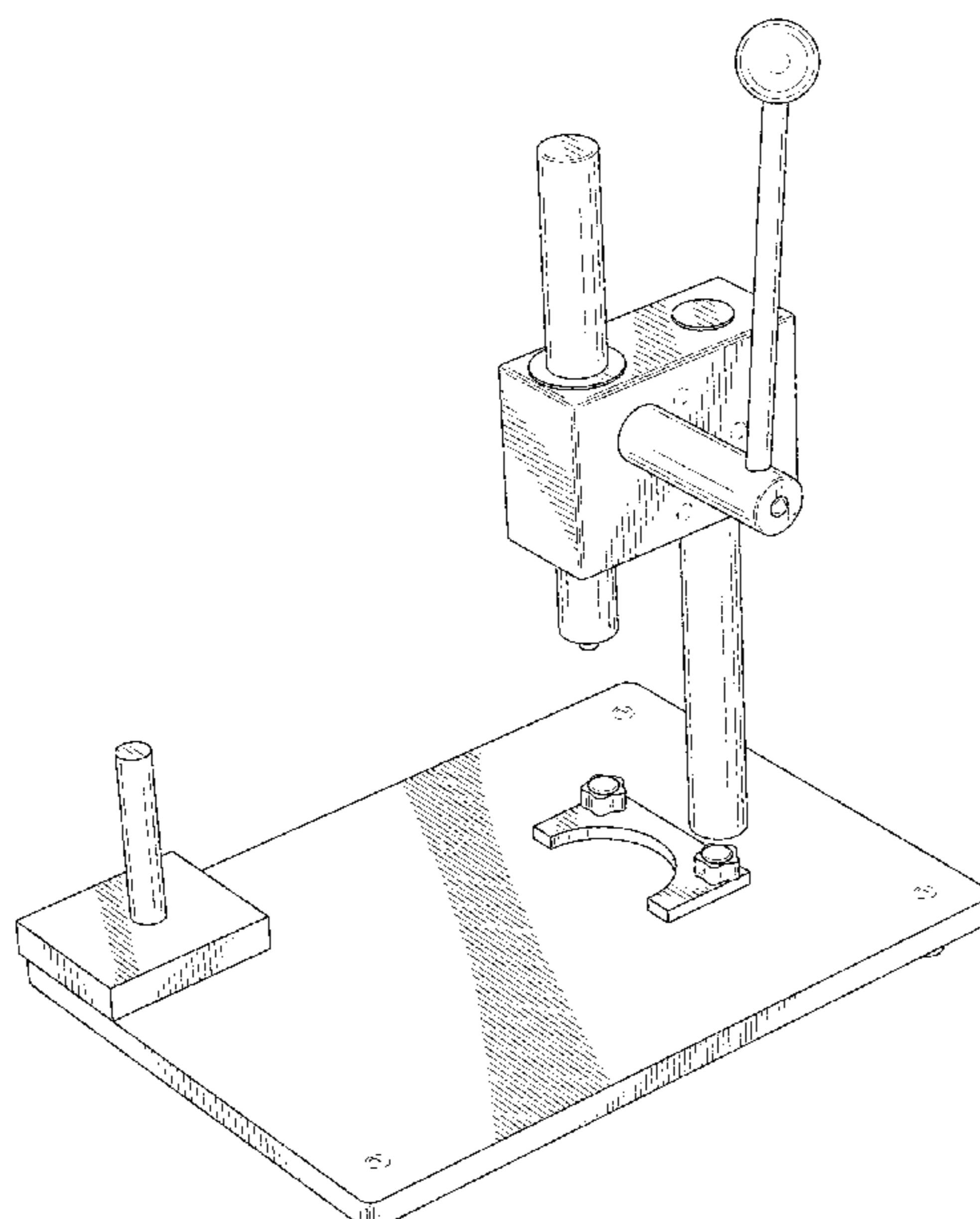
(57) **CLAIM**

The ornamental design for a press apparatus for bath mixture mold, as shown and described.

DESCRIPTION

FIG. 1 is a perspective view of a press apparatus for bath mixture mold;
FIG. 2 is a front elevational view thereof;
FIG. 3 is a rear elevational view thereof;
FIG. 4 is a left side elevational view thereof;
FIG. 5 is a right side elevational view thereof;
FIG. 6 is a top plan view thereof; and,
FIG. 7 is a bottom plan view thereof.

1 Claim, 7 Drawing Sheets



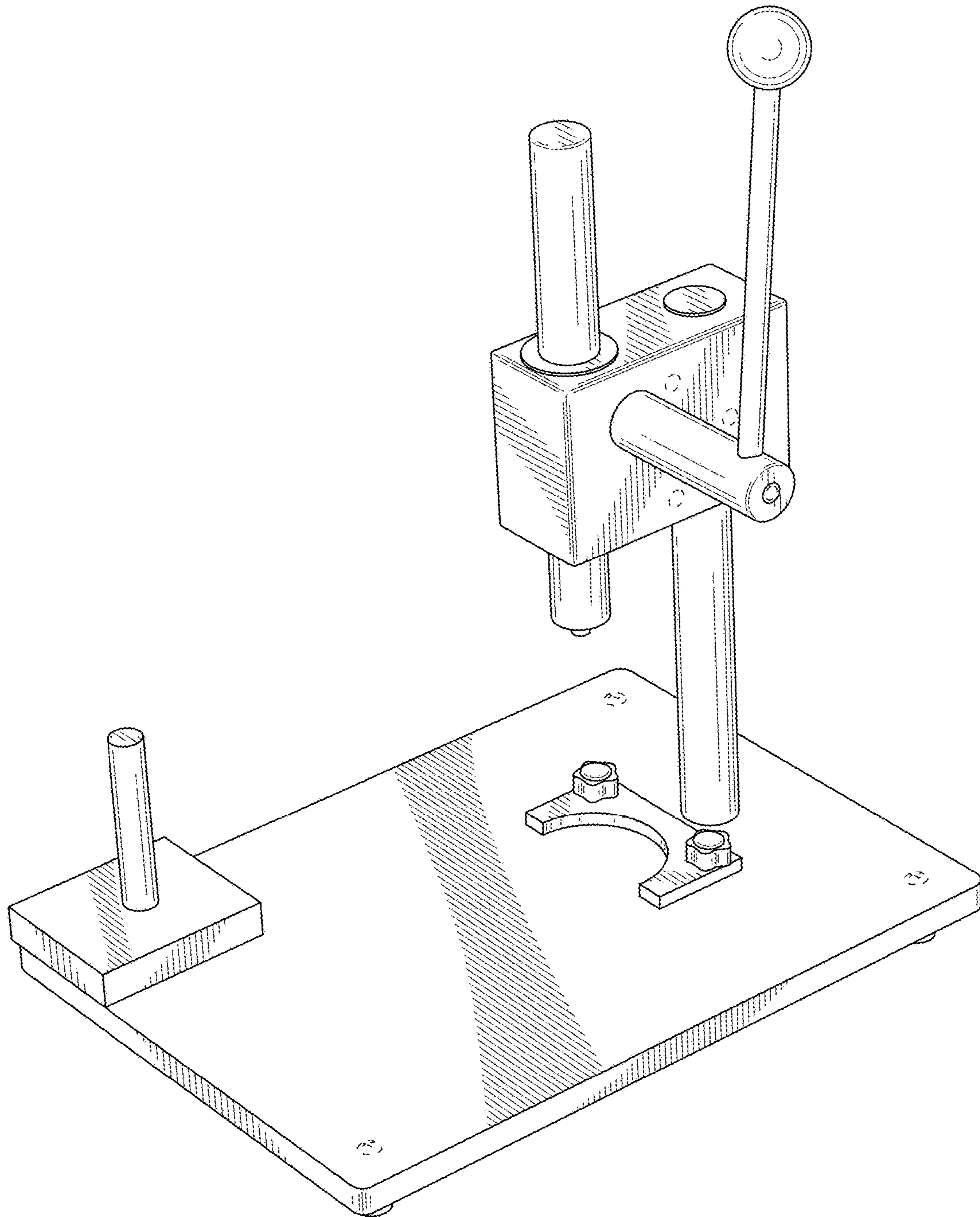


FIG. 1

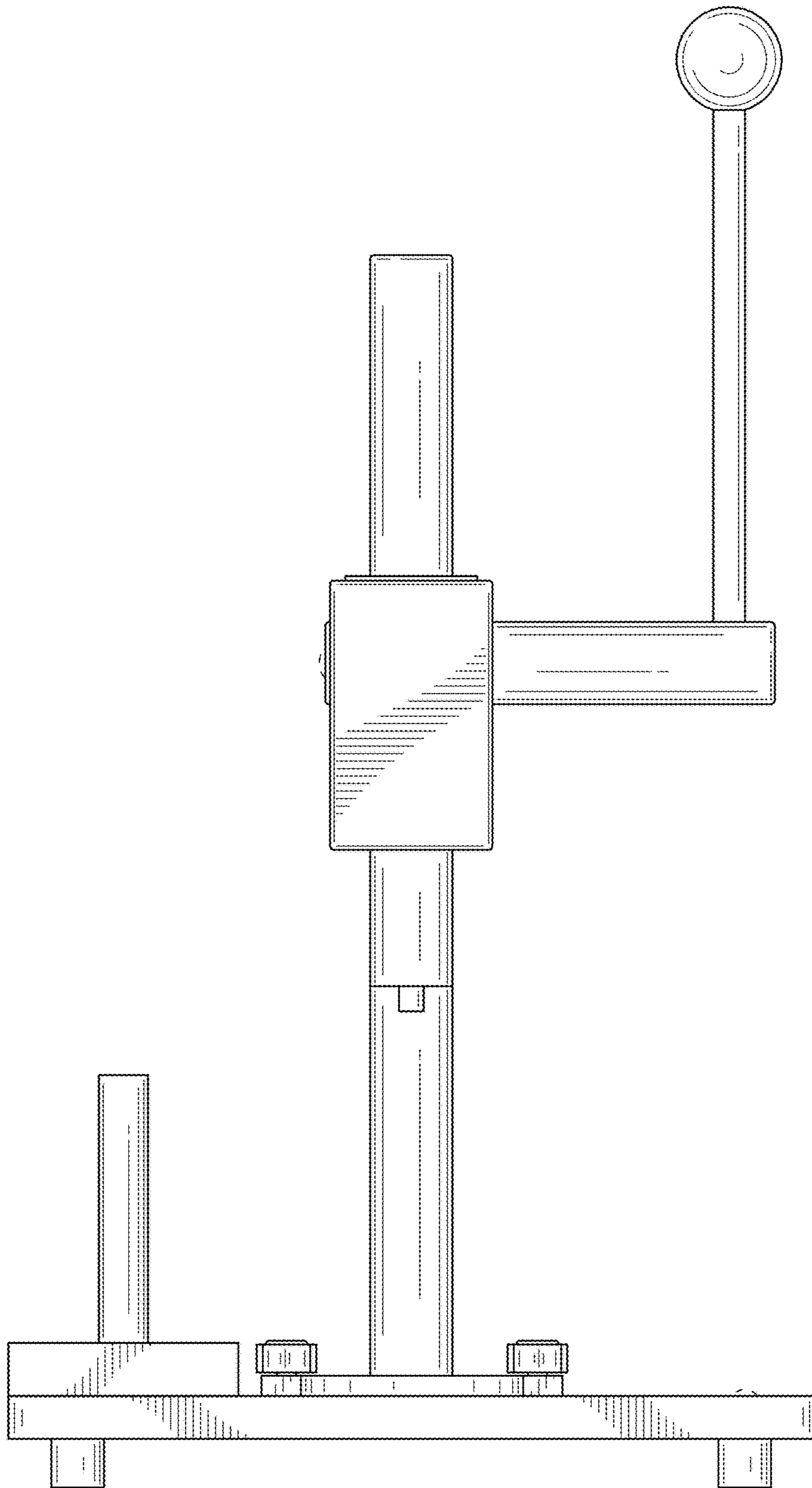


FIG. 2

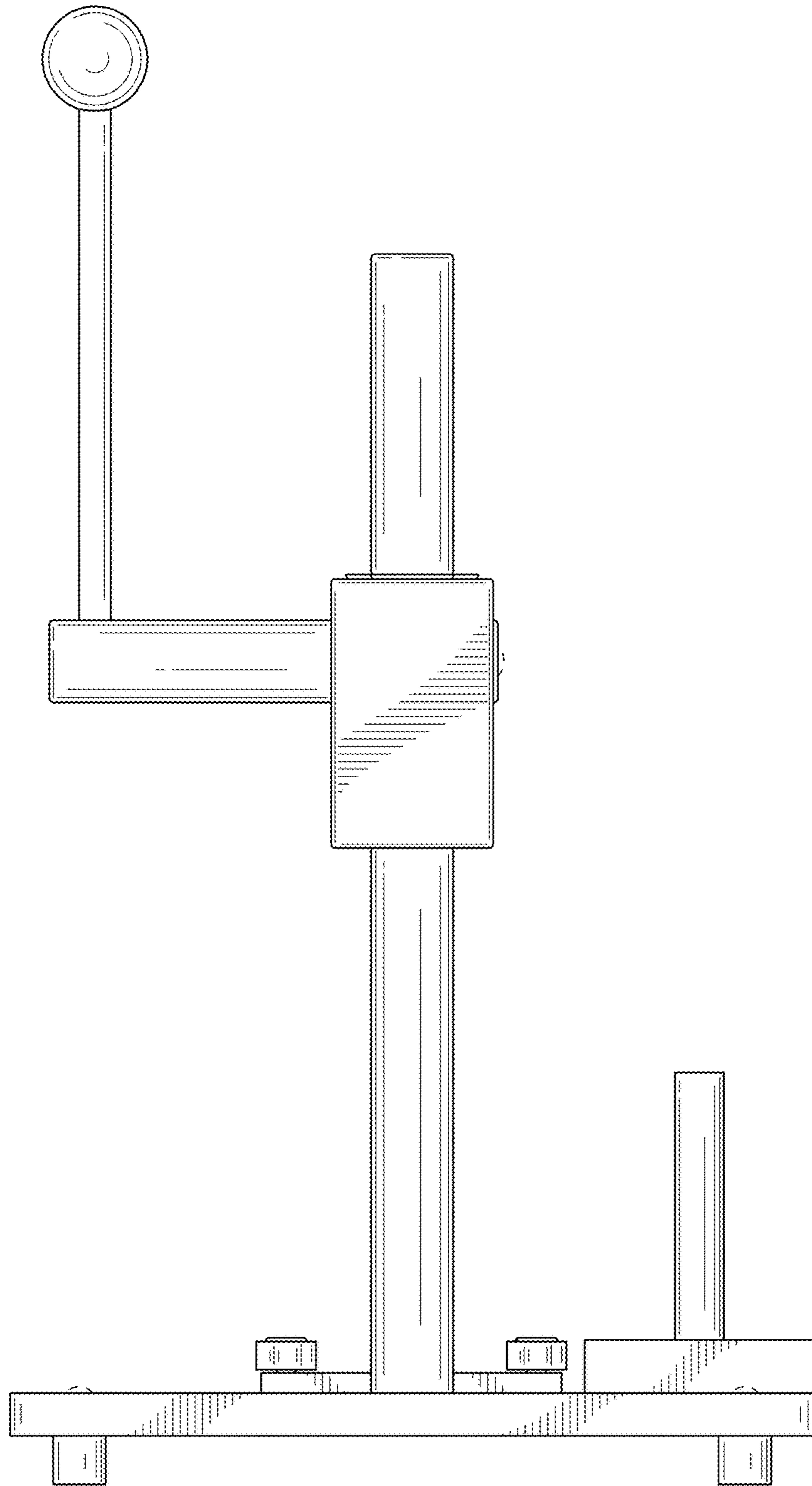


FIG. 3

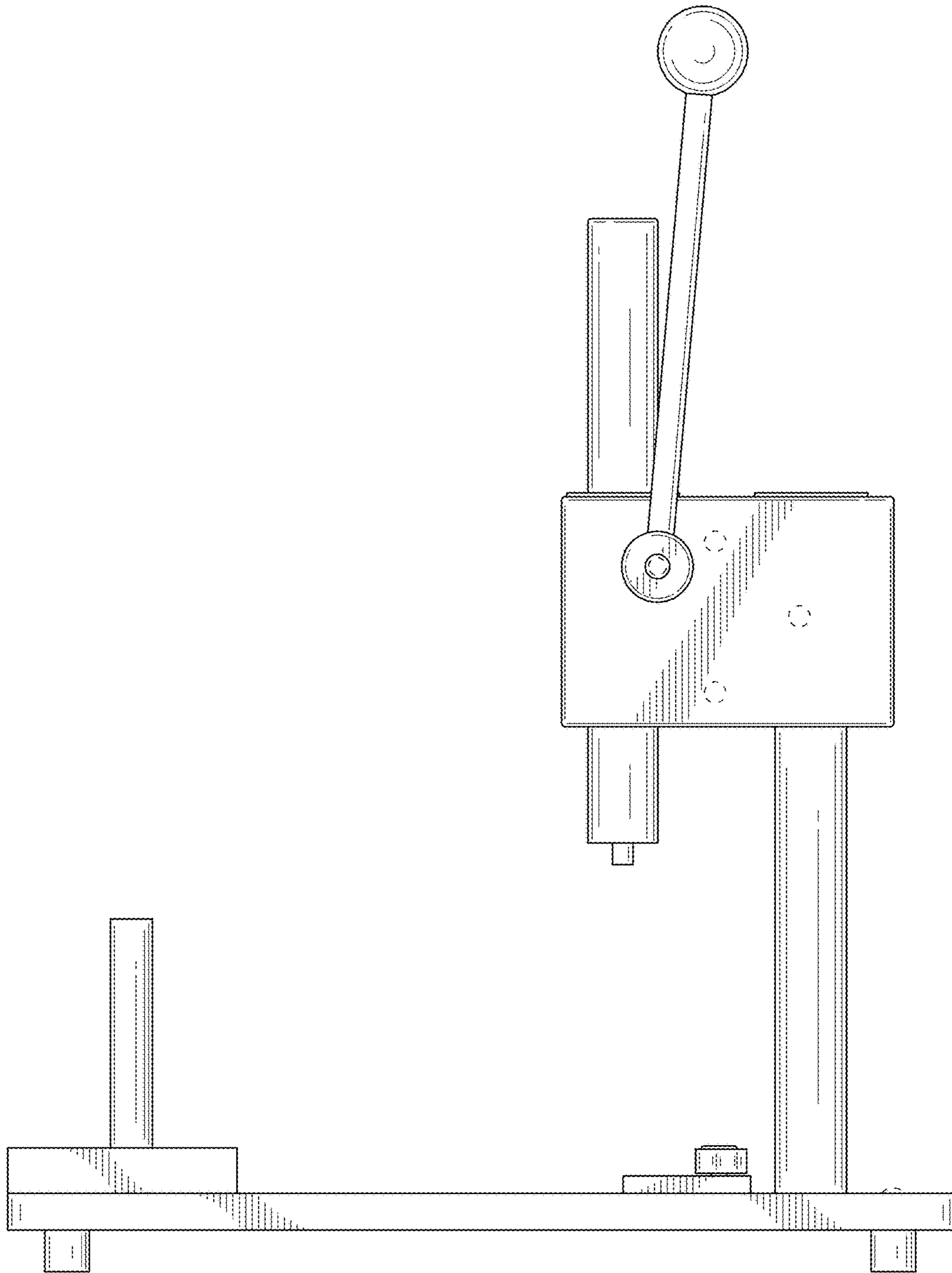


FIG. 4

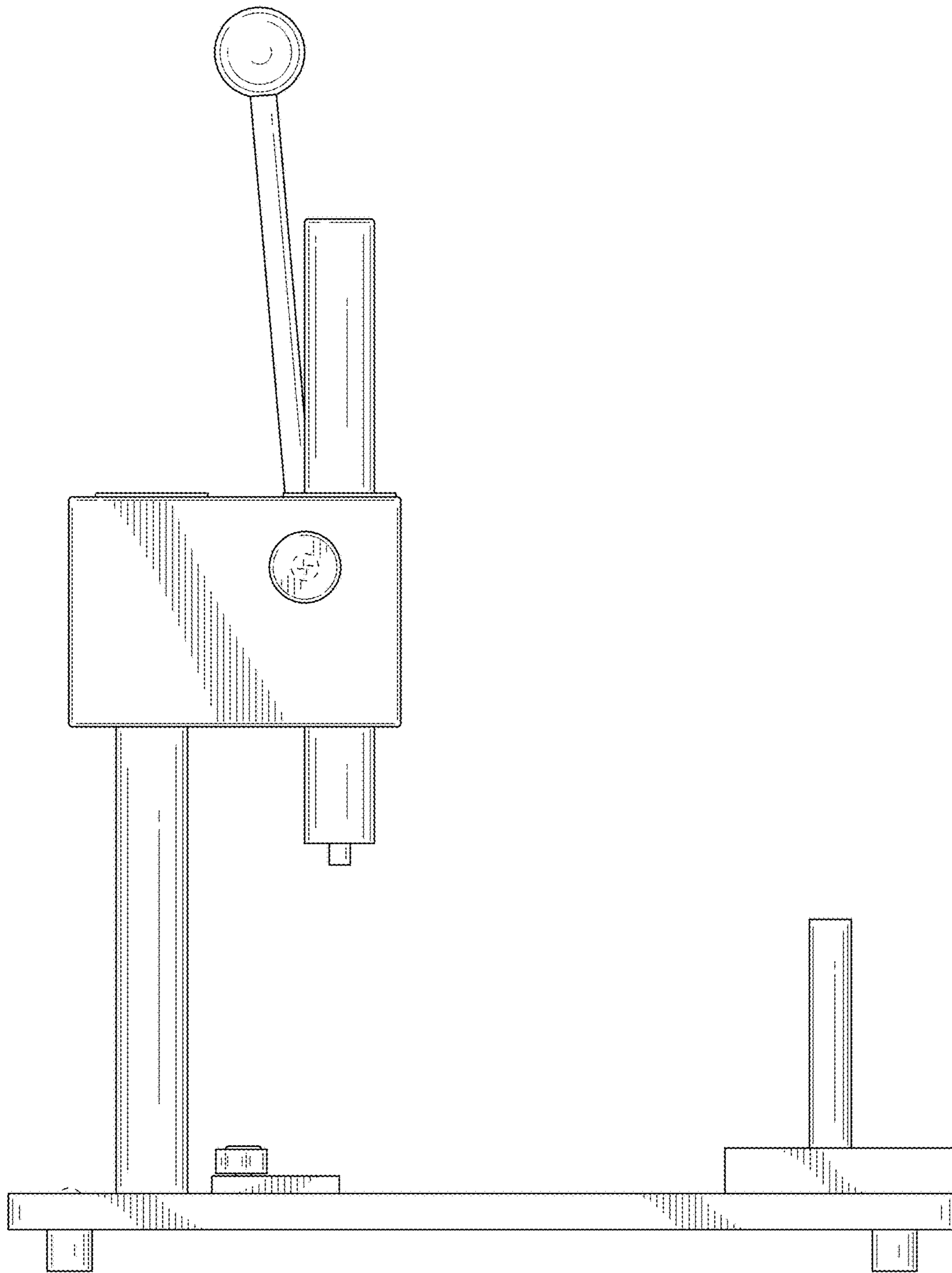


FIG. 5

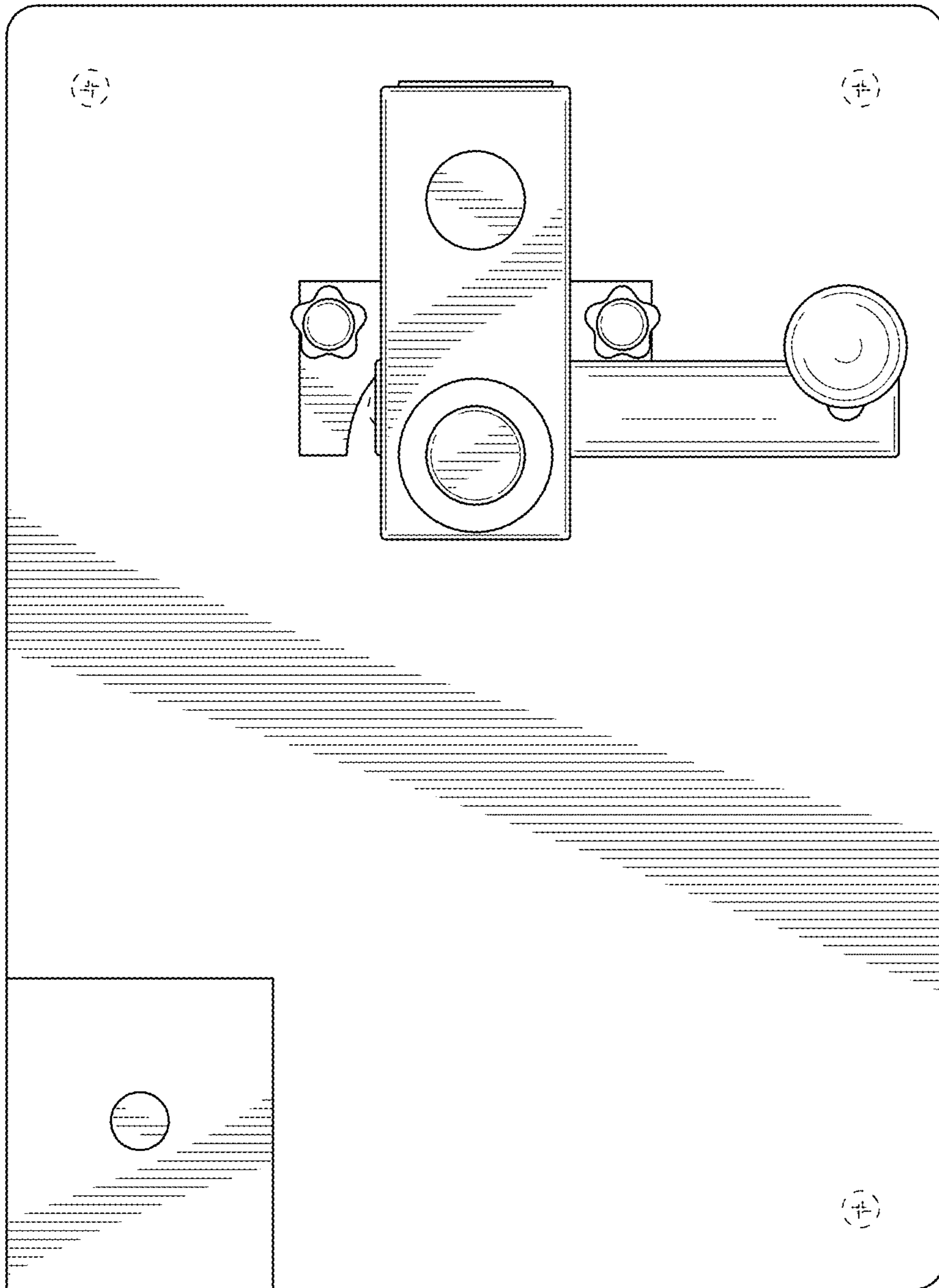


FIG. 6

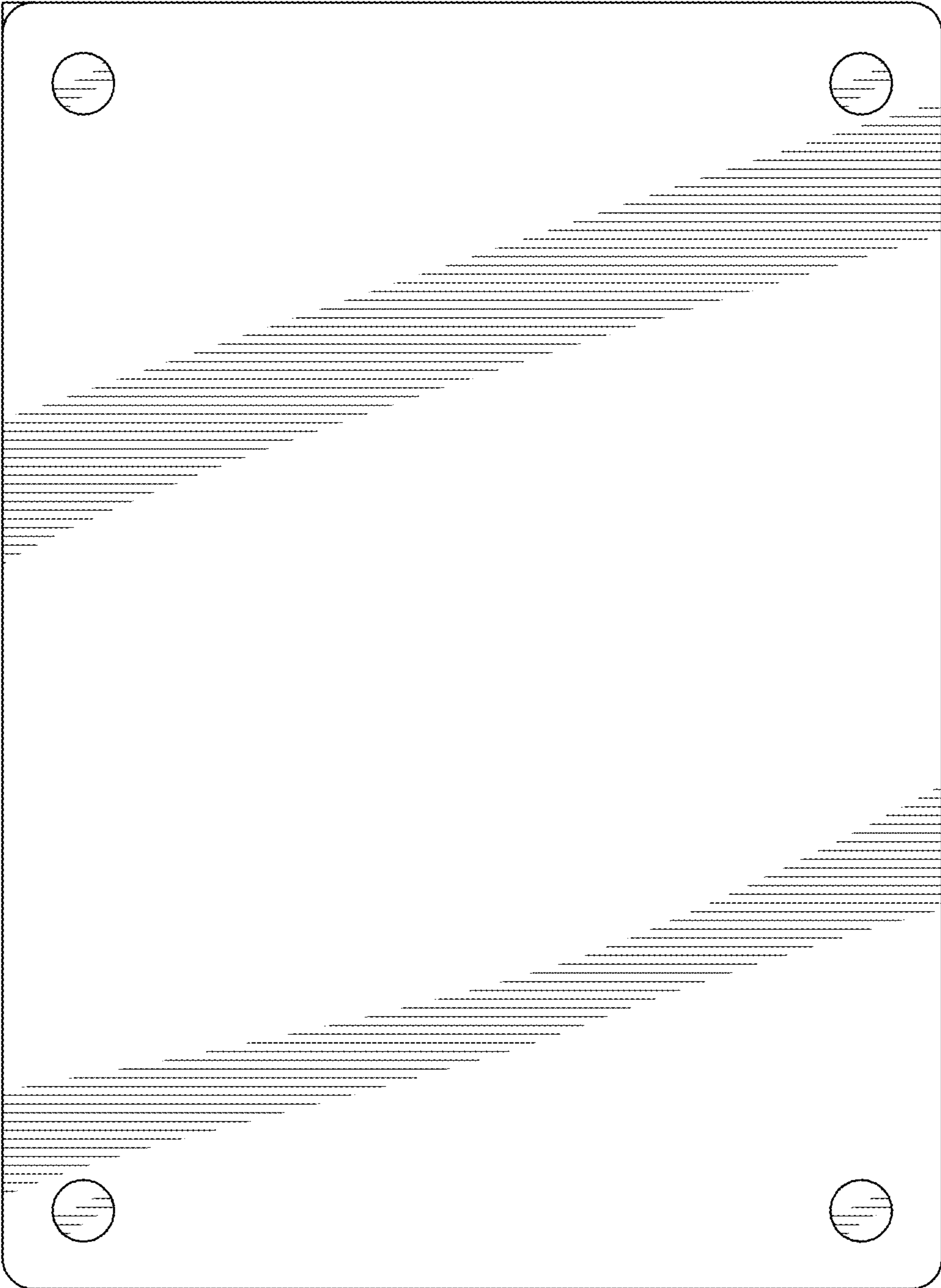


FIG. 7