



US00D850501S

(12) **United States Design Patent** (10) **Patent No.:** **US D850,501 S**
Schmitt et al. (45) **Date of Patent:** **** Jun. 4, 2019**

(54) **THREE-DIMENSIONAL PRINTER**

G06T 2207/30048; G06T 2207/30104;
G06T 7/00; G06T 7/149; G06T 7/248;
G06T 7/64

(71) Applicant: **Desktop Metal, Inc.**, Burlington, MA (US)

See application file for complete search history.

(72) Inventors: **Peter Schmitt**, Brookline, MA (US);
Justin Cumming, Topsfield, MA (US);
Alex Fishman, Boston, MA (US); **Ric Fulop**, Burlington, MA (US); **Rick Chin**, Burlington, MA (US); **Jonah Samuel Myerberg**, Burlington, MA (US); **Yves Behar**, San Francisco, CA (US); **Brandon Heiman**, San Francisco, CA (US)

(56) **References Cited**

U.S. PATENT DOCUMENTS

D749,153 S *	2/2016	Anantha	D15/122
D752,661 S *	3/2016	Anantha	D15/122
D757,132 S *	5/2016	Liu	D15/122
D760,306 S *	6/2016	Wolf	D15/122
D760,825 S *	7/2016	Solorzano	D15/122
D776,174 S *	1/2017	Summit	D15/122
D776,727 S *	1/2017	Wolf	D15/122
D783,693 S *	4/2017	Reches	D15/122

* cited by examiner

Primary Examiner — Khawaja Anwar

(74) *Attorney, Agent, or Firm* — Bookoff McAndrews, PLLC

(73) Assignee: **Desktop Metal, Inc.**, Burlington, MA (US)

(**) Term: **15 Years**

(21) Appl. No.: **29/601,450**

(22) Filed: **Apr. 21, 2017**

(51) **LOC (11) Cl.** **15-02**

(52) **U.S. Cl.**
USPC **D15/122**

(58) **Field of Classification Search**

USPC D15/122, 135, 138, 145, 146; D18/6, 7, D18/14, 19, 50, 54.1, 55
CPC G06T 11/206; G06T 11/60; G06T 15/00; G06T 2207/30201; G06T 7/0012; G06T 7/11; G06T 11/001; G06T 11/003; G06T 11/40; G06T 13/00; G06T 15/005; G06T 15/02; G06T 15/04; G06T 15/10; G06T 15/20; G06T 15/503; G06T 15/60; G06T 15/80; G06T 19/00; G06T 19/20; G06T 1/20; G06T 2200/24; G06T 2207/10024; G06T 2207/10068; G06T 2207/10132; G06T 2207/20221; G06T 2207/30028;

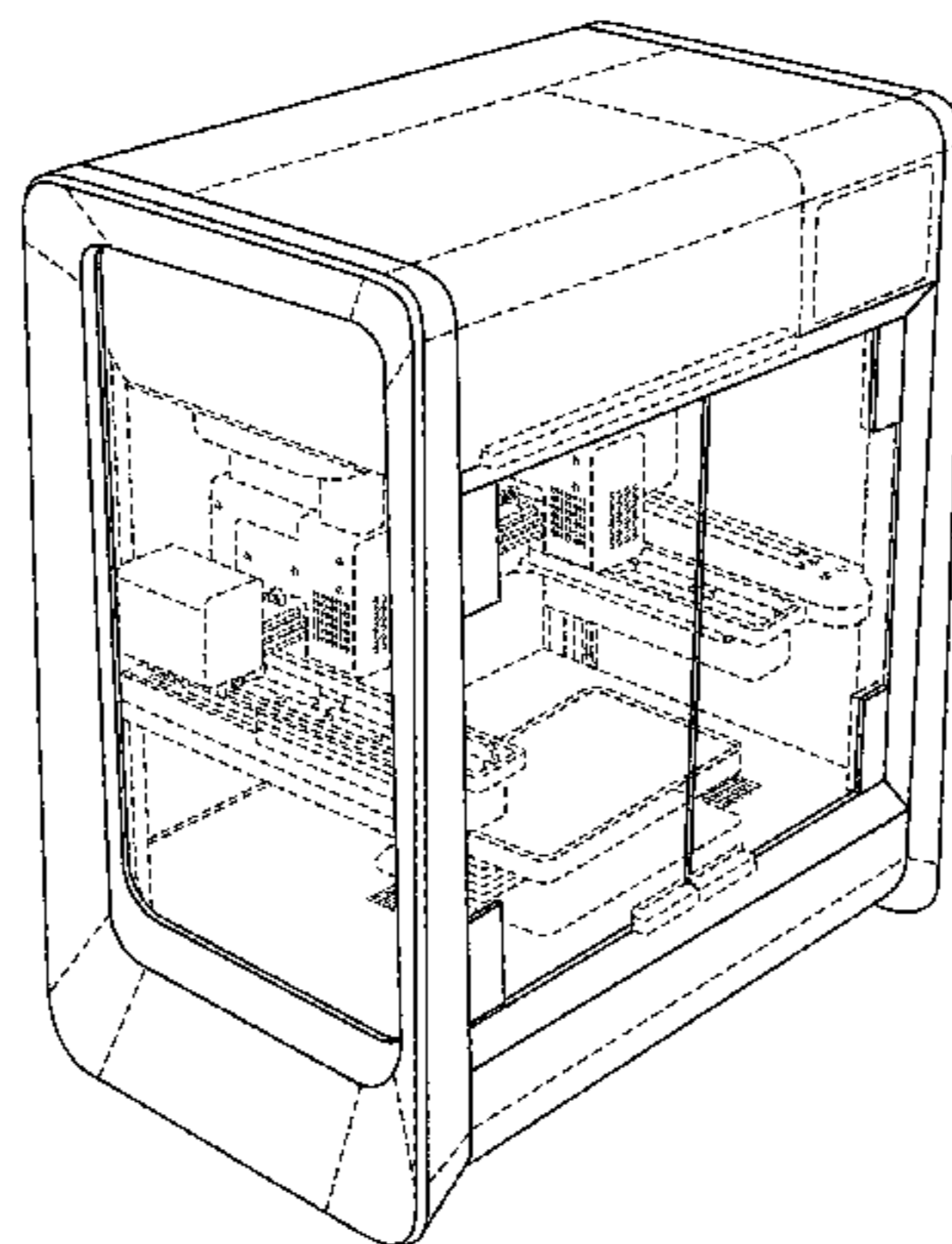
(57) **CLAIM**

The ornamental design for a three-dimensional printer, as shown and described.

DESCRIPTION

FIG. 1 is a front perspective view of the three-dimensional printer, showing our new design.
FIG. 2 is a front view thereof, shown without internal unclaimed portions;
FIG. 3 is a rear view thereof.
FIG. 4 is a top view thereof.
FIG. 5 is a left side view thereof; and,
FIG. 6 is a right side view thereof.
The broken lines represent unclaimed portions of the three-dimensional printer and form no part of the claimed design.

1 Claim, 6 Drawing Sheets



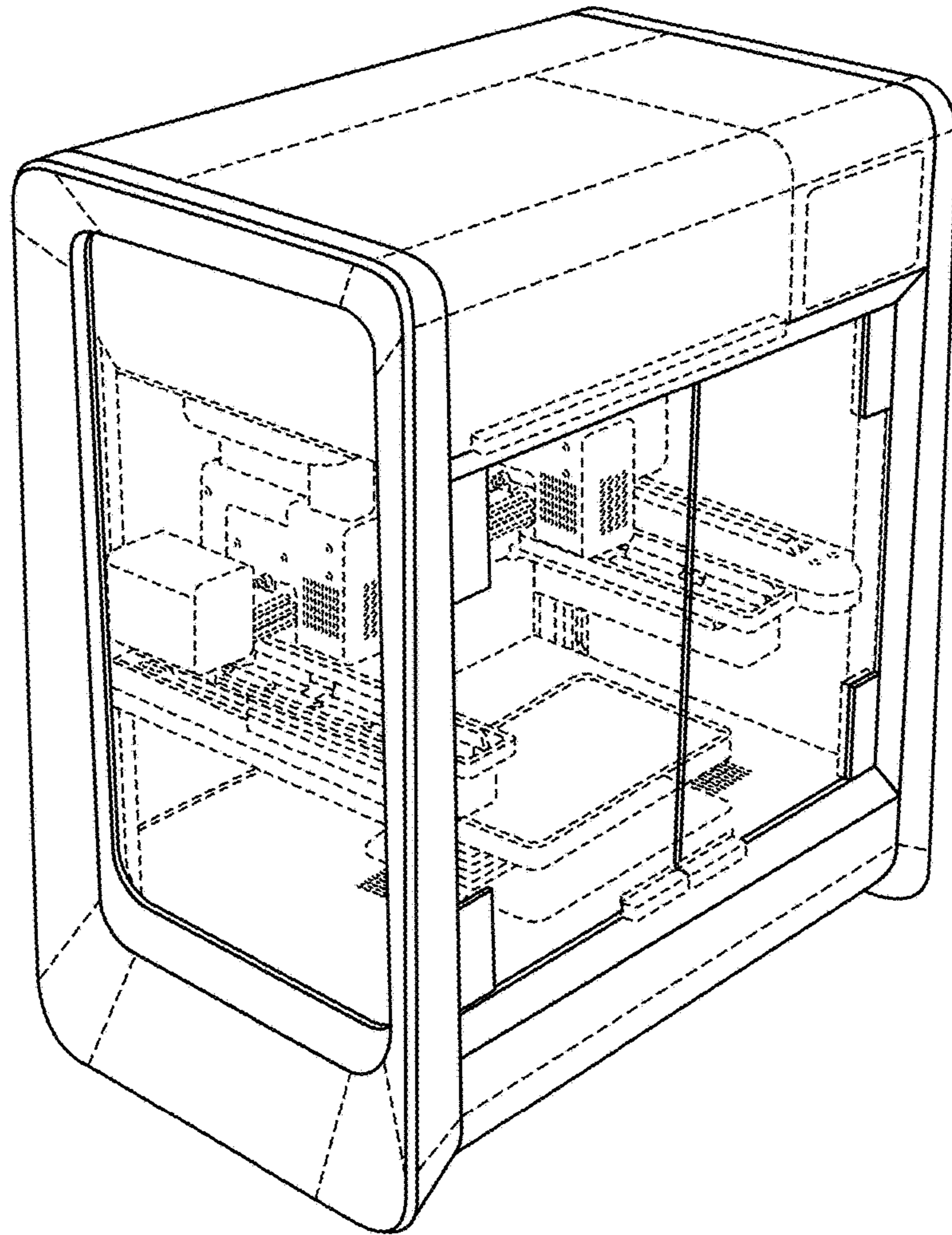


FIG. 1

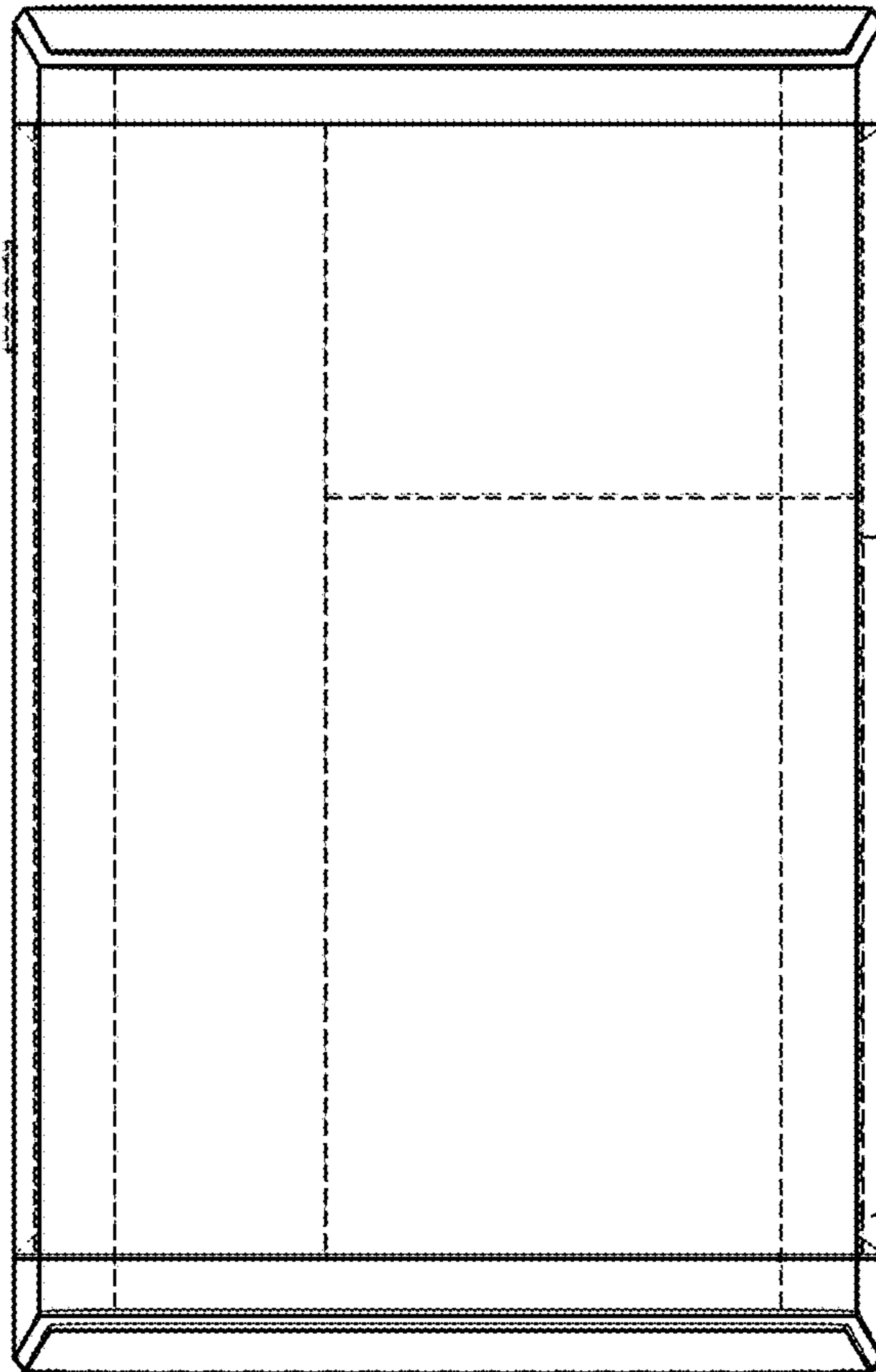


FIG. 2

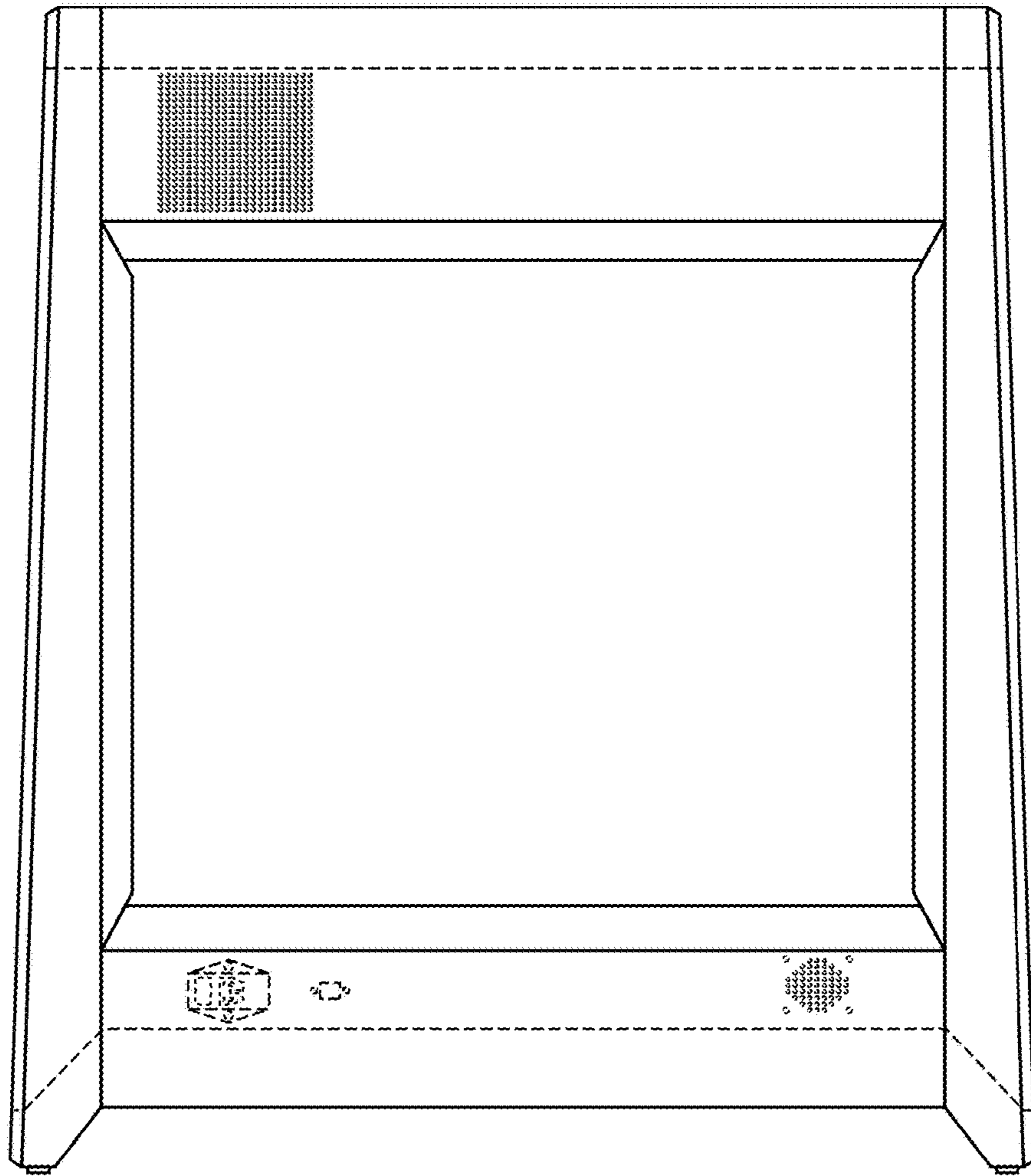


FIG. 3

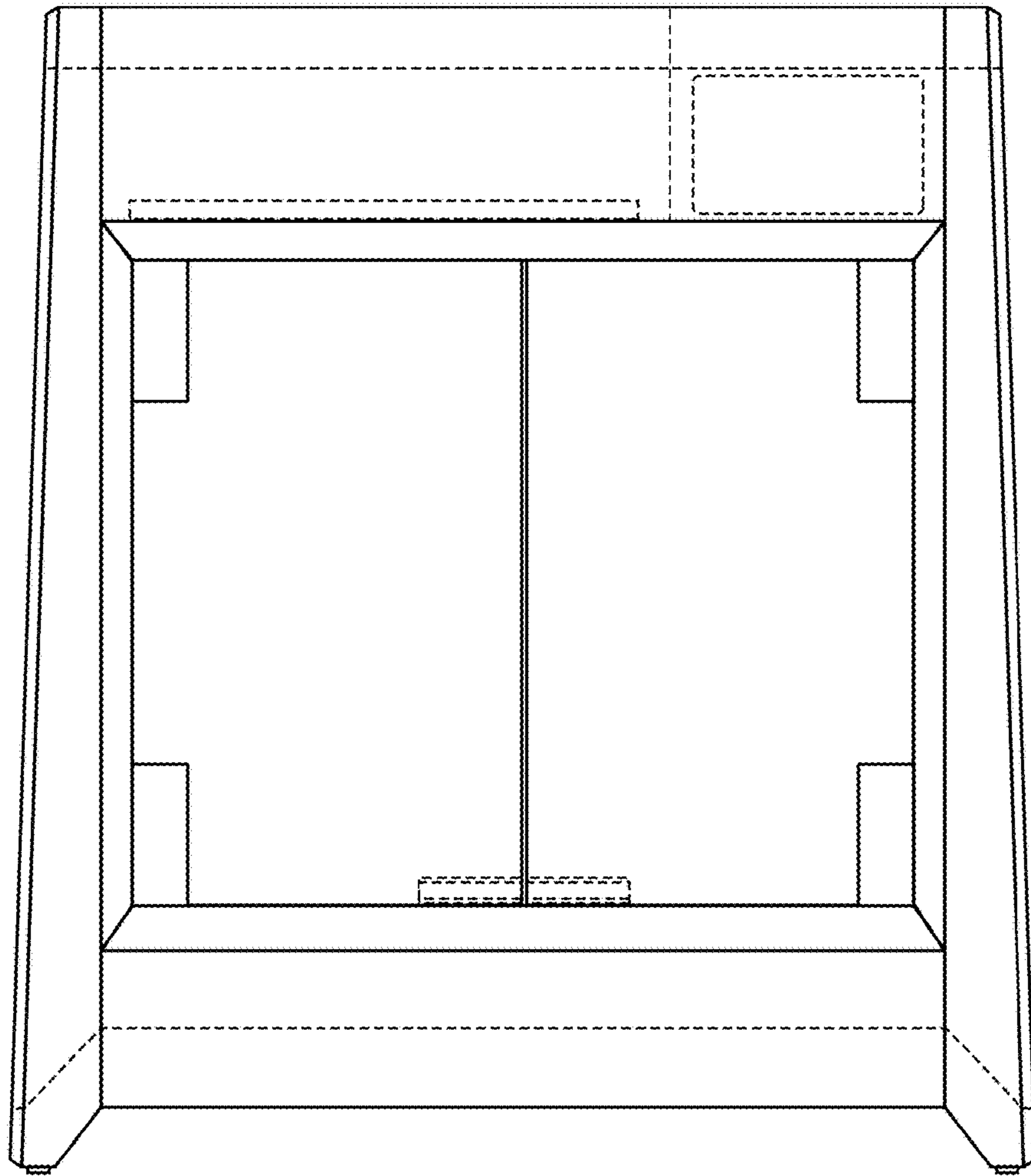


FIG. 4

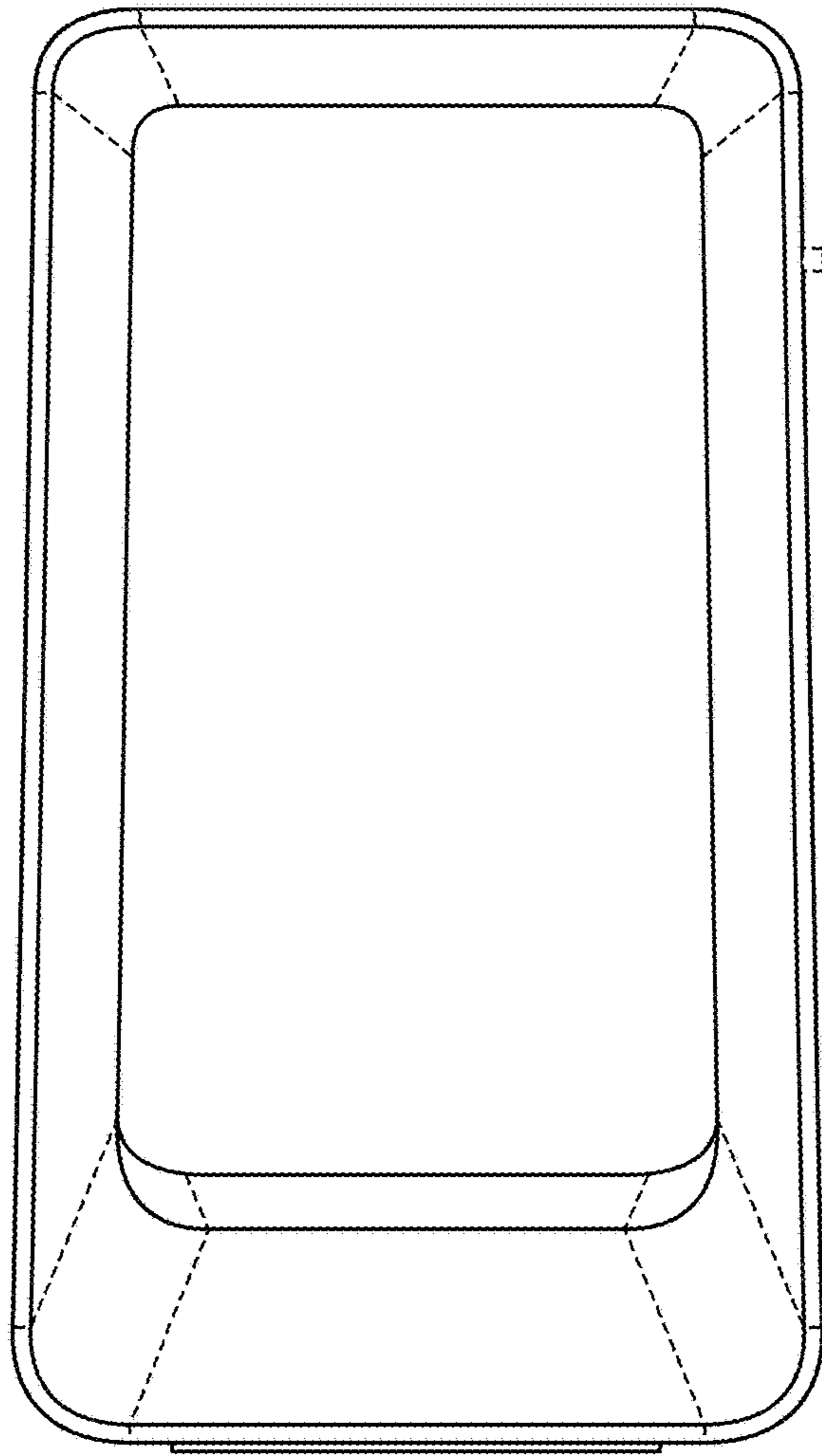


FIG. 5

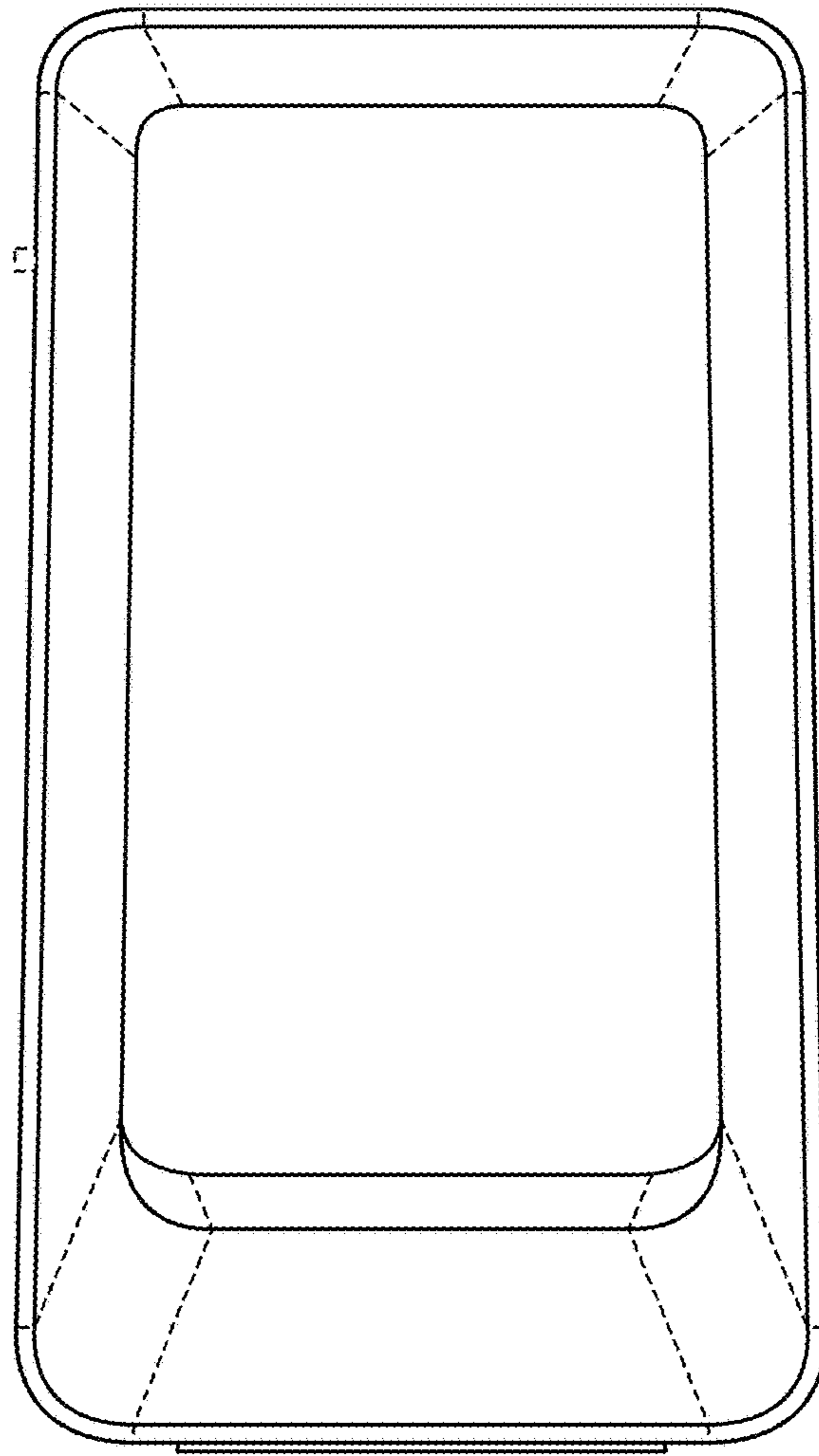


FIG. 6