



US00D850500S

(12) **United States Design Patent** (10) **Patent No.:** **US D850,500 S**  
**Gallo et al.** (45) **Date of Patent:** **\*\* Jun. 4, 2019**

(54) **MACHINE TOOL**

(71) Applicant: **TRUMPF GmbH + Co. KG**, Ditzingen (DE)

(72) Inventors: **Dina Gallo**, Stuttgart (DE); **Andreas Diefenbach**, Ludwigsburg-Ossweil (DE); **Tom Schönherr**, Stuttgart (DE)

(73) Assignee: **TRUMPF GmbH + Co. KG**, Ditzingen (DE)

(\*\*) Term: **15 Years**

(21) Appl. No.: **29/595,393**

(22) Filed: **Feb. 28, 2017**

(30) **Foreign Application Priority Data**

Aug. 31, 2016 (EM) ..... 003359546

(51) **LOC (11) Cl.** ..... **15-09**

(52) **U.S. Cl.**  
USPC ..... **D15/122**

(58) **Field of Classification Search**  
USPC ..... D15/122, 127  
CPC ..... B29C 39/10; B29C 41/20; B29C 59/16;  
B29C 65/00; B29C 65/14; B29C 65/38;  
B29C 65/43; B29C 65/1616; B29C  
65/1619; B29C 65/1635; B29C 65/1638;  
B29C 65/1648; B29C 65/1658; B29C  
65/1664; B29C 65/1674; B29C 65/1696;  
B29C 66/71; B29C 66/431; B29C 66/723;  
B29C 66/1122; B29C 66/7338; B29C  
66/7352; B29C 66/7392; B29C 66/8221;  
B29C 66/8222; B29C 66/30223; B29C  
66/72941; B29C 66/73366; B29C  
66/73921

See application file for complete search history.

(56) **References Cited**

U.S. PATENT DOCUMENTS

D332,615	S	*	1/1993	Fang	.....	D15/122
D603,430	S	*	11/2009	Masauji	.....	D15/122
D603,431	S	*	11/2009	Masauji	.....	D15/122
D690,744	S	*	10/2013	Koide	.....	D15/122
D690,745	S	*	10/2013	Koide	.....	D15/122
D717,840	S	*	11/2014	Schönherr	.....	D15/122
D762,748	S	*	8/2016	Schönherr	.....	D15/122
D798,917	S	*	10/2017	Gallo	.....	D15/122
2005/0218127	A1	*	10/2005	Kettner-Reich	.....	B23K 26/04 219/121.73
2007/0000888	A1	*	1/2007	Yamazaki	.....	B23K 26/0876 219/121.78
2007/0045258	A1	*	3/2007	Yamazaki	.....	B23K 26/0884 219/121.84
2007/0051709	A1	*	3/2007	Lambert	.....	B23K 26/123 219/121.84
2008/0105665	A1	*	5/2008	Kondo	.....	B23K 26/067 219/121.77
2008/0245779	A1	*	10/2008	Nomaru	.....	B23K 26/0736 219/121.75

(Continued)

*Primary Examiner* — Patricia A Palasik

(74) *Attorney, Agent, or Firm* — Fish & Richardson P.C.

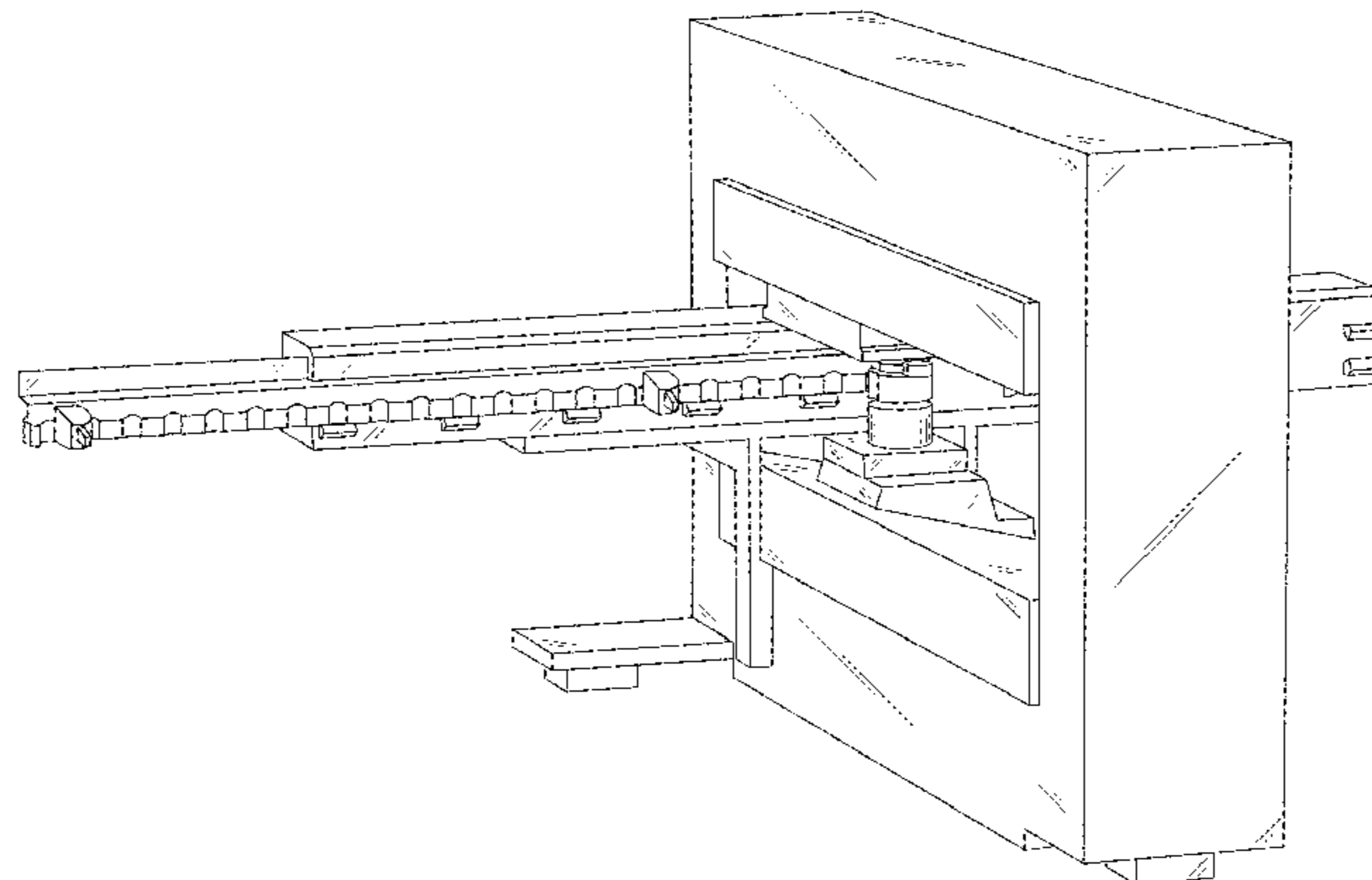
(57) **CLAIM**

The ornamental design for a machine tool, as shown and described.

**DESCRIPTION**

FIG. 1 is a front perspective view of our machine tool.  
FIG. 2 is a front view of our machine tool.  
FIG. 3 is a back view of our machine tool.  
FIG. 4 is a right side view of our machine tool.  
FIG. 5 is a left side view of our machine tool.  
FIG. 6 is a top view of our machine tool; and,  
FIG. 7 is a bottom view of our machine tool.  
The broken lines illustrate environmental features that form no part of the claimed design.

**1 Claim, 7 Drawing Sheets**



(56)

**References Cited**

U.S. PATENT DOCUMENTS

2009/0001062 A1\* 1/2009 Zeygerman ..... B23K 26/0884  
219/121.78  
2009/0001063 A1\* 1/2009 Weick ..... B23K 26/032  
219/121.85  
2009/0120917 A1\* 5/2009 Koch ..... B23K 26/12  
219/121.78  
2009/0179012 A1\* 7/2009 Zepf ..... H01S 3/0401  
219/121.63  
2010/0096370 A1\* 4/2010 Yamazaki ..... B23K 26/046  
219/121.67  
2013/0193125 A1\* 8/2013 Nishiyama ..... B23K 26/0823  
219/121.85  
2015/0001195 A1\* 1/2015 Okada ..... B23K 26/08  
219/121.67  
2015/0273387 A1\* 10/2015 Hayashi ..... B01D 53/22  
96/7  
2015/0336209 A1\* 11/2015 Yamashita ..... B23K 26/046  
219/121.75  
2015/0375337 A1\* 12/2015 Hayashi ..... B23K 26/38  
219/121.61  
2016/0228982 A1\* 8/2016 Haji ..... B23K 37/0235

\* cited by examiner

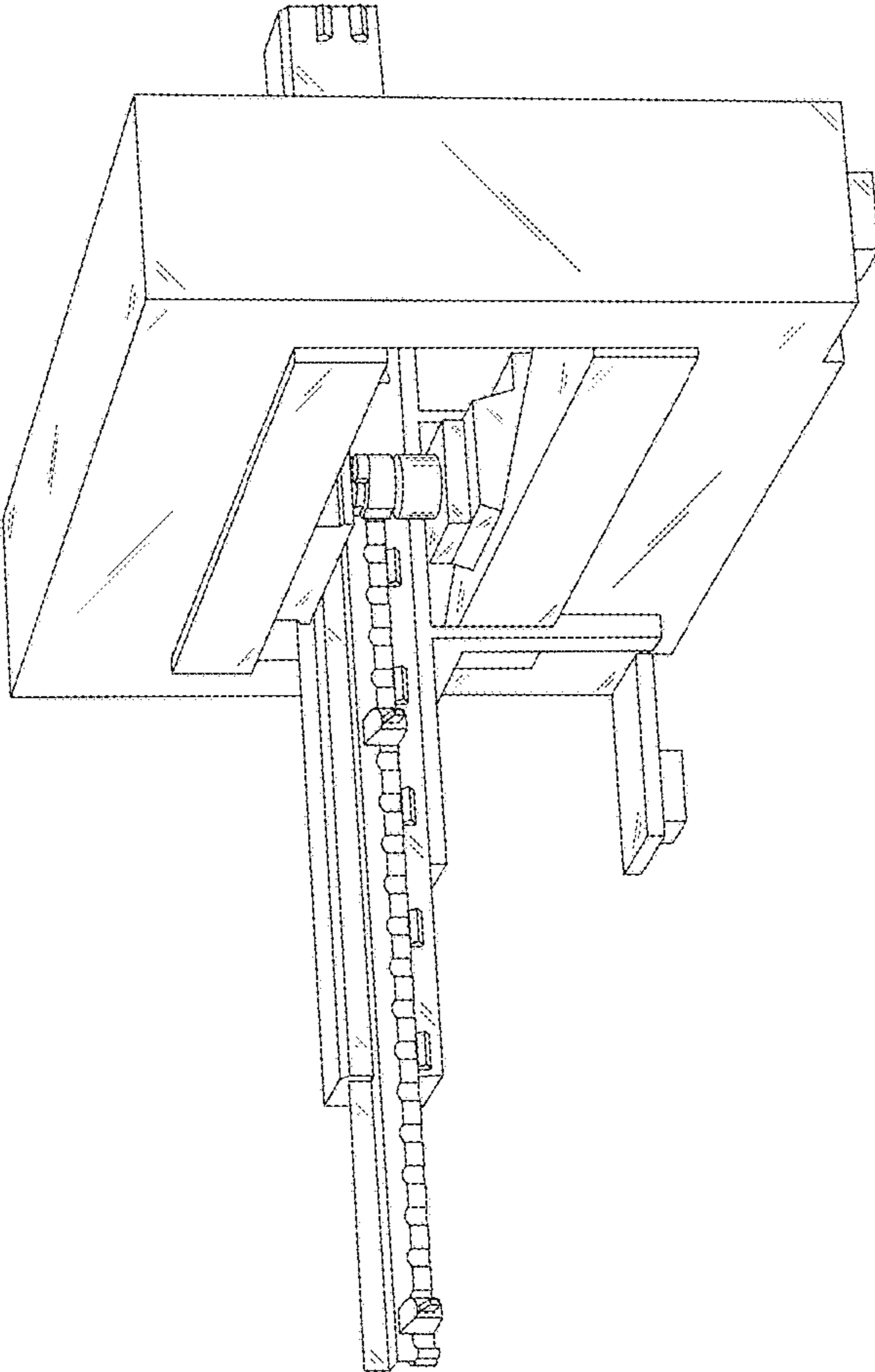


FIG. 1

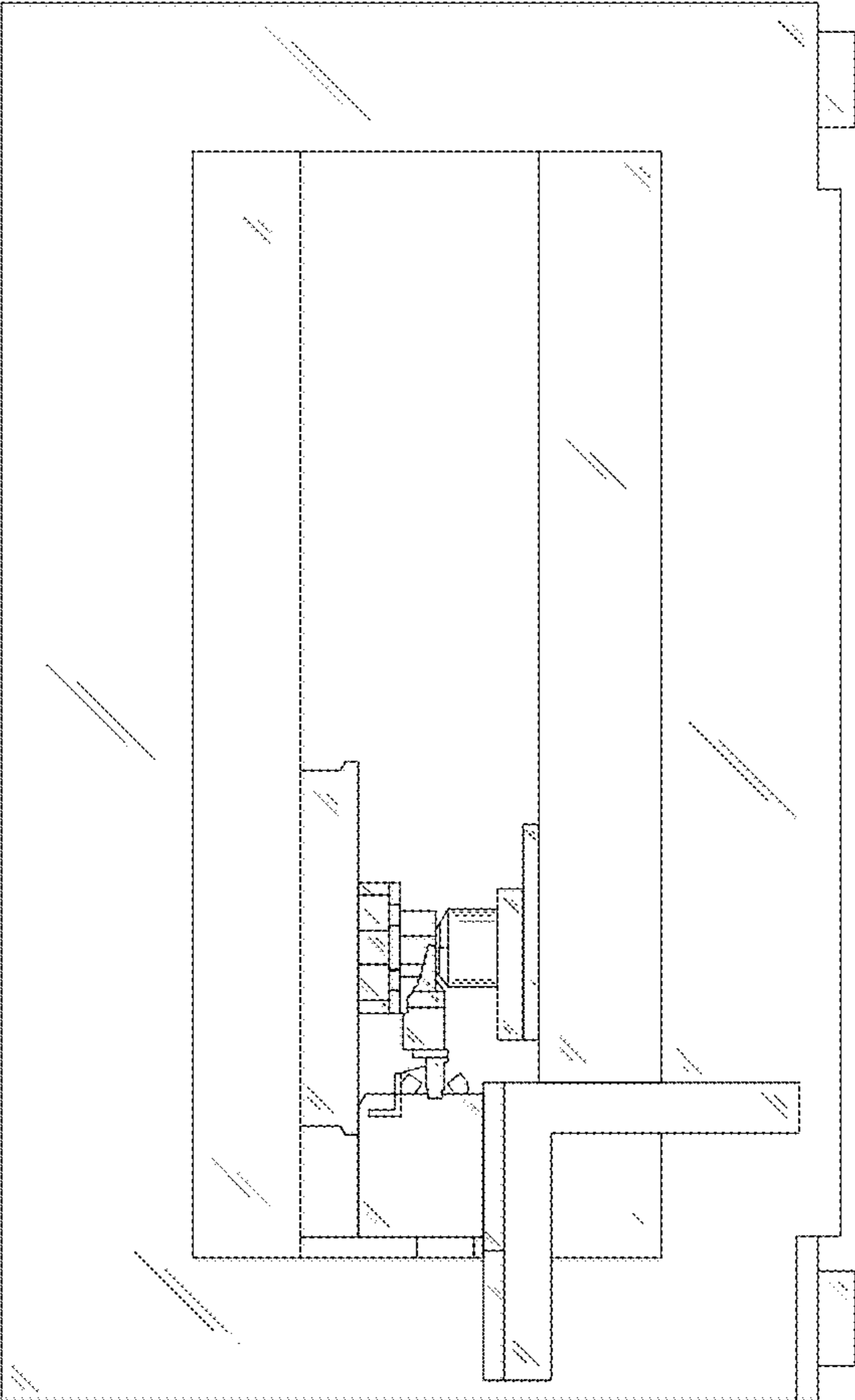


FIG. 2

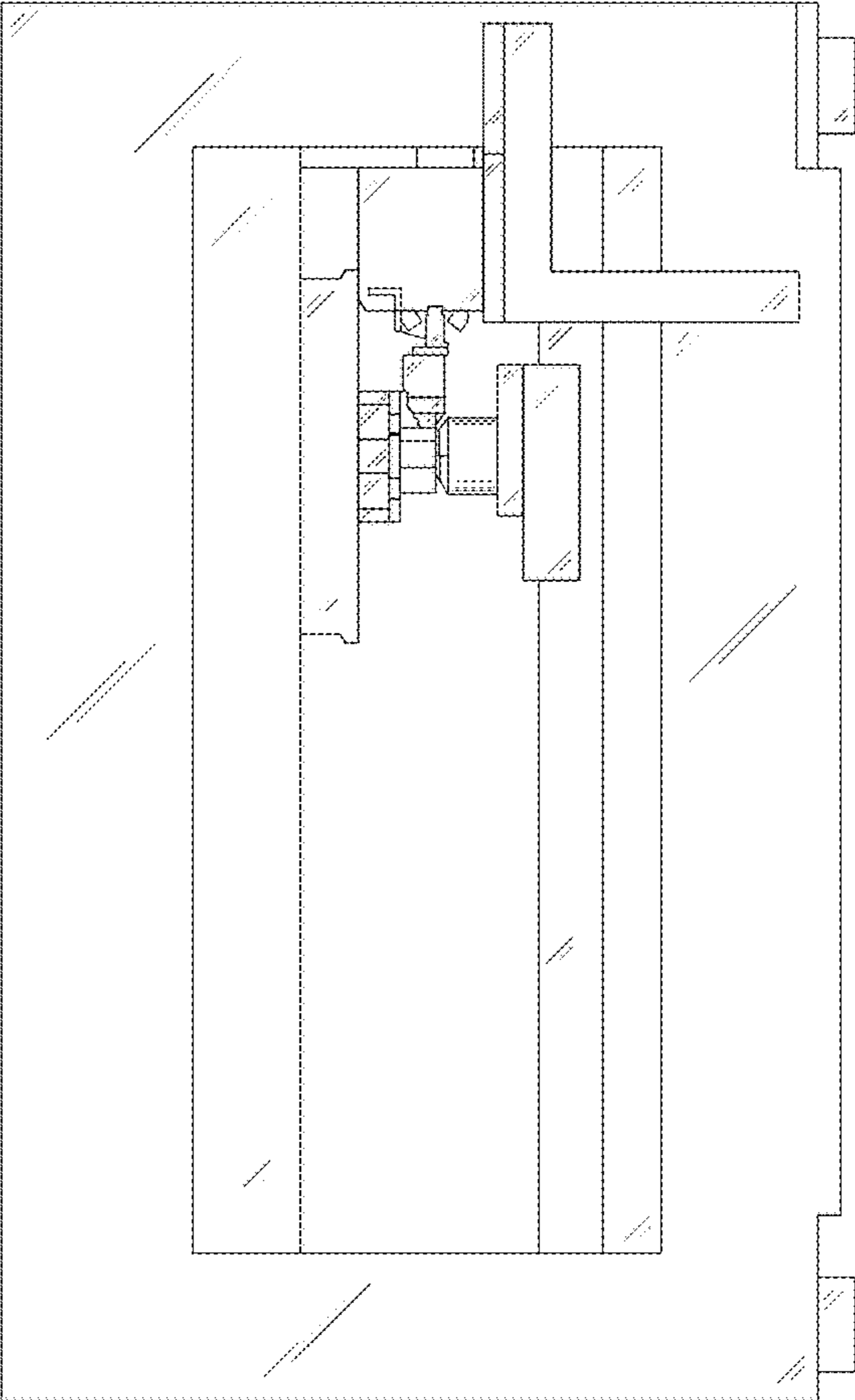


FIG. 3

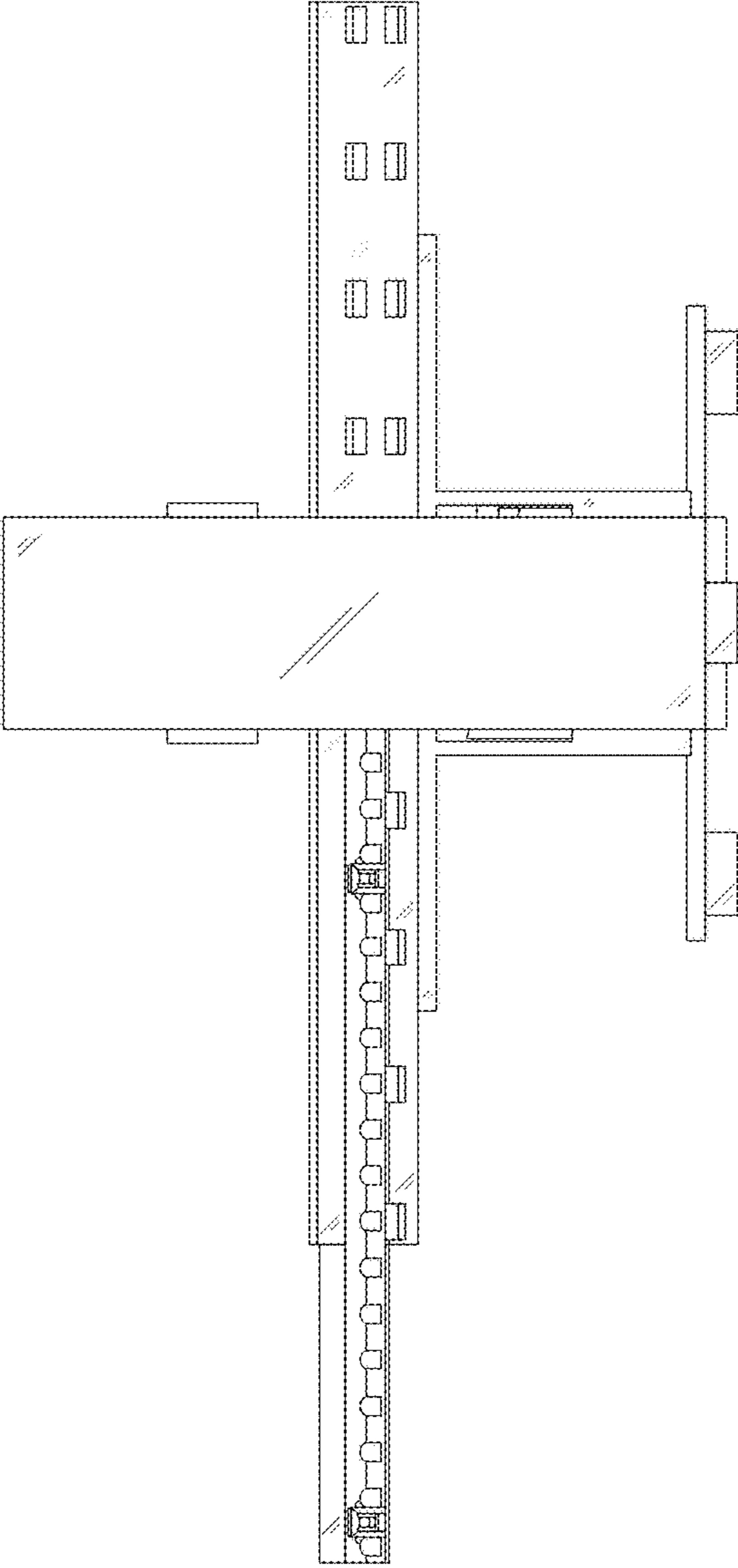


FIG. 4

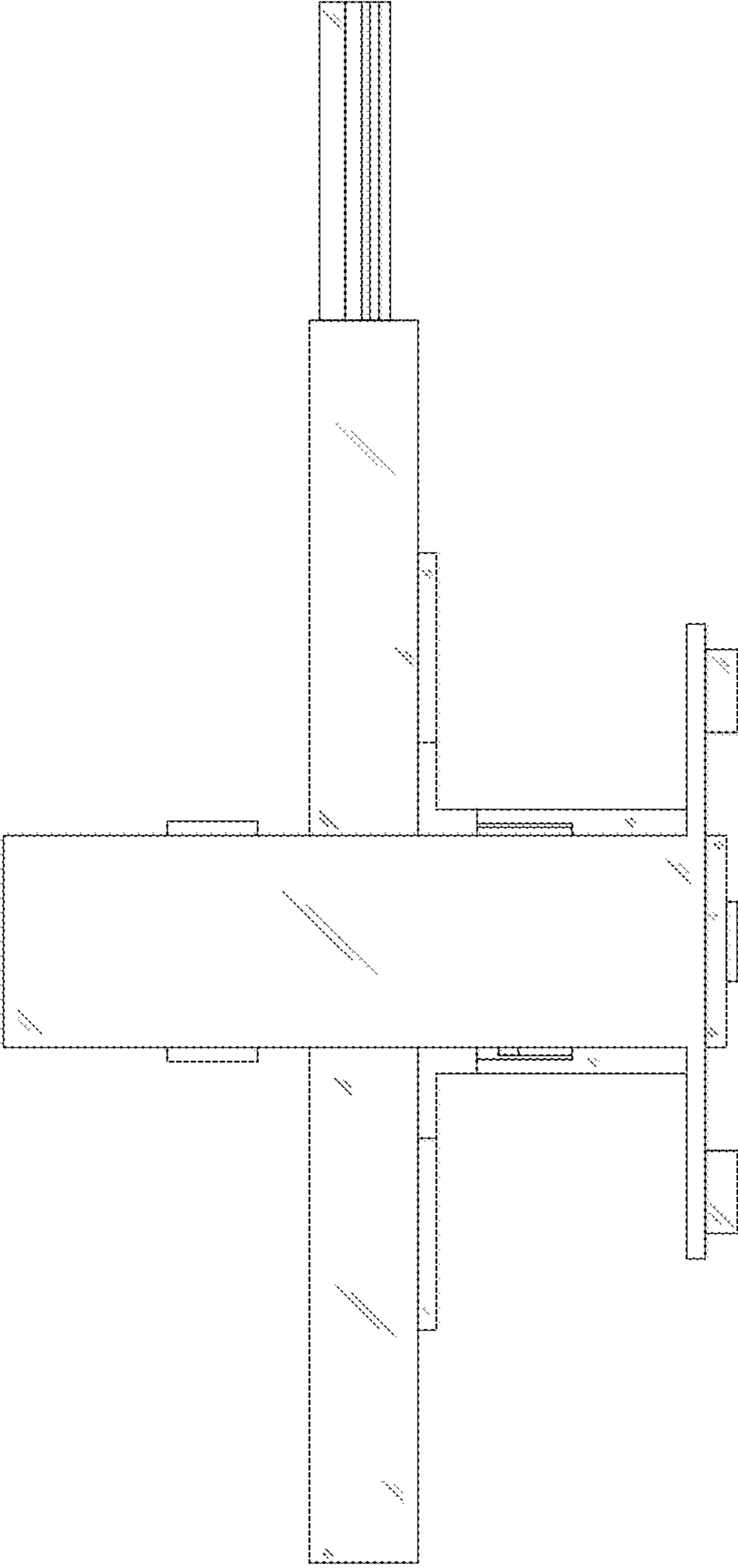


FIG. 5

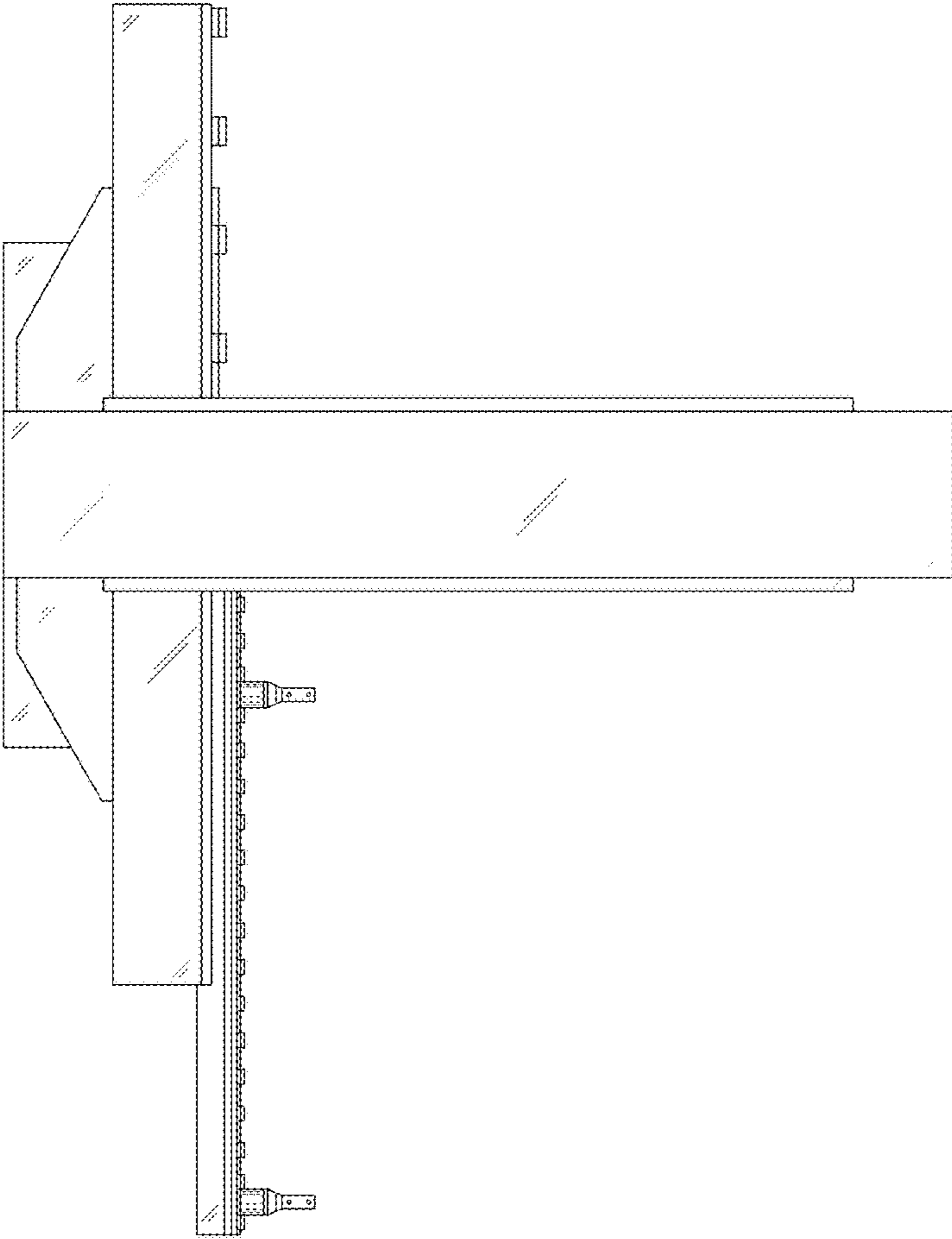


FIG. 6



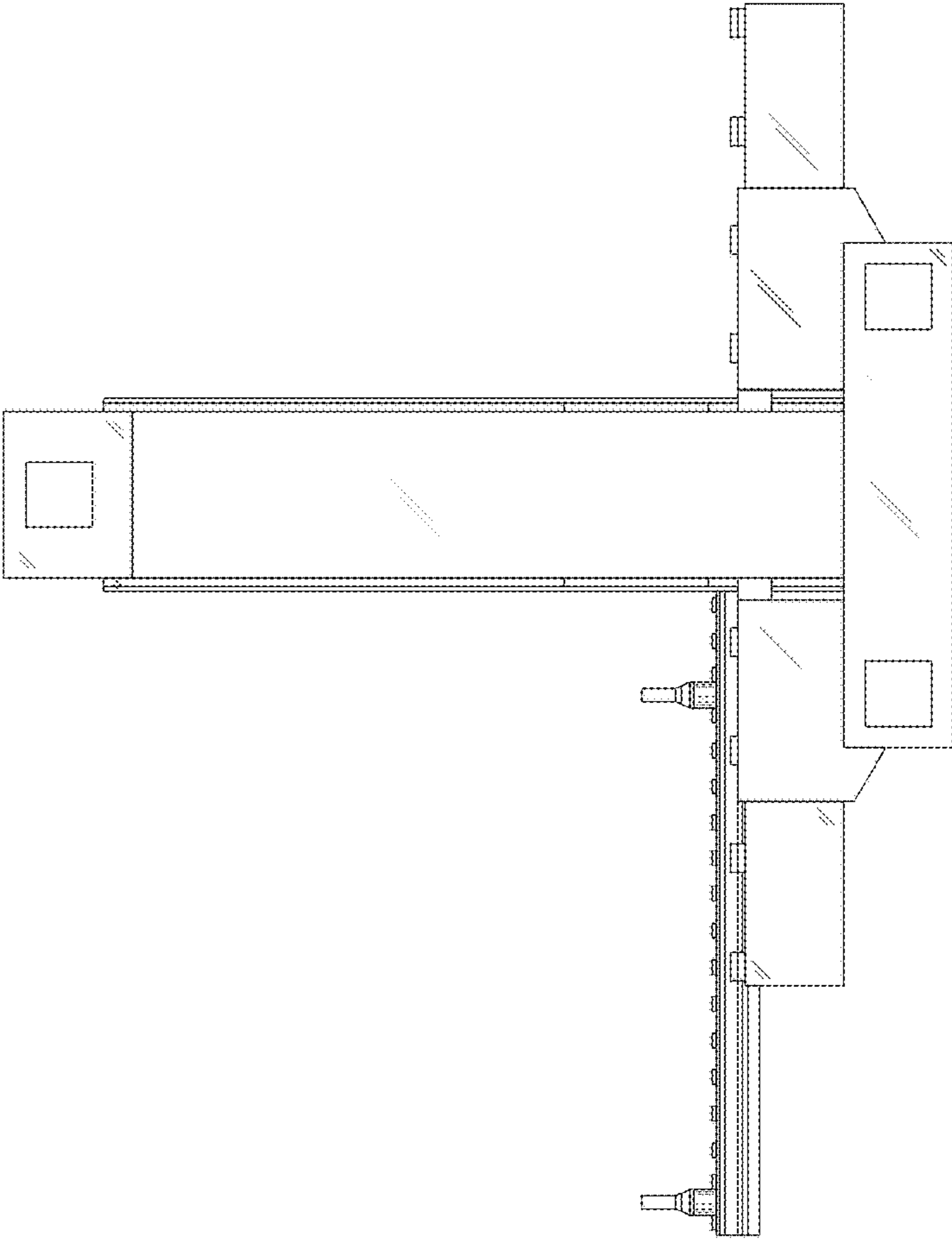


FIG. 7