



US00D850496S

(12) **United States Design Patent**  
**Papenfuss**

(10) **Patent No.:** **US D850,496 S**

(45) **Date of Patent:** **\*\* Jun. 4, 2019**

- (54) **KNITTING MACHINE**
- (71) Applicant: **William Prym GmbH & Co. KG,**  
Stolberg (DE)
- (72) Inventor: **Andreas Papenfuss,** Weimar (DE)
- (73) Assignee: **William Prym GmbH & Co. KG,**  
Stolberg (DE)
- (\*\*) Term: **15 Years**
- (21) Appl. No.: **29/640,300**
- (22) Filed: **Mar. 13, 2018**
- (30) **Foreign Application Priority Data**  
Sep. 21, 2017 (EM) ..... 004366169-0001
- (51) **LOC (11) Cl.** ..... **15-06**
- (52) **U.S. Cl.**  
USPC ..... **D15/66**
- (58) **Field of Classification Search**  
USPC ..... D15/66-78  
CPC ..... D05C 15/00-38; A63H 33/3088; D03D  
29/00; D04B 9/00; D04B 9/44  
See application file for complete search history.

(56) **References Cited**

**U.S. PATENT DOCUMENTS**

- 96,531 A \* 11/1869 Work ..... D04B 35/06  
66/13
- 569,463 A \* 10/1896 Minich ..... D04B 15/14  
66/8
- D67,948 S \* 8/1925 Day ..... D15/66
- 2,021,301 A \* 11/1935 Gast ..... D04B 9/44  
66/149 R
- 2,222,992 A \* 11/1940 Steinhardt ..... A63H 33/3088  
66/8

- 2,539,137 A \* 1/1951 Hunold ..... D04B 9/44  
242/137
- 2,574,701 A \* 11/1951 Malts ..... D04B 9/44  
242/153
- 2,635,567 A \* 4/1953 Drake ..... D05C 15/06  
112/80.03

(Continued)

**OTHER PUBLICATIONS**

Migicord Machine Hand Held Portable Knit Cording Maker 1992  
<https://www.youtube.com/watch?v=vYluH0Tfv3M>.\*

*Primary Examiner* — Mitchell I. Siegel

(74) *Attorney, Agent, or Firm* — Oppedahl Patent Law Firm LLC

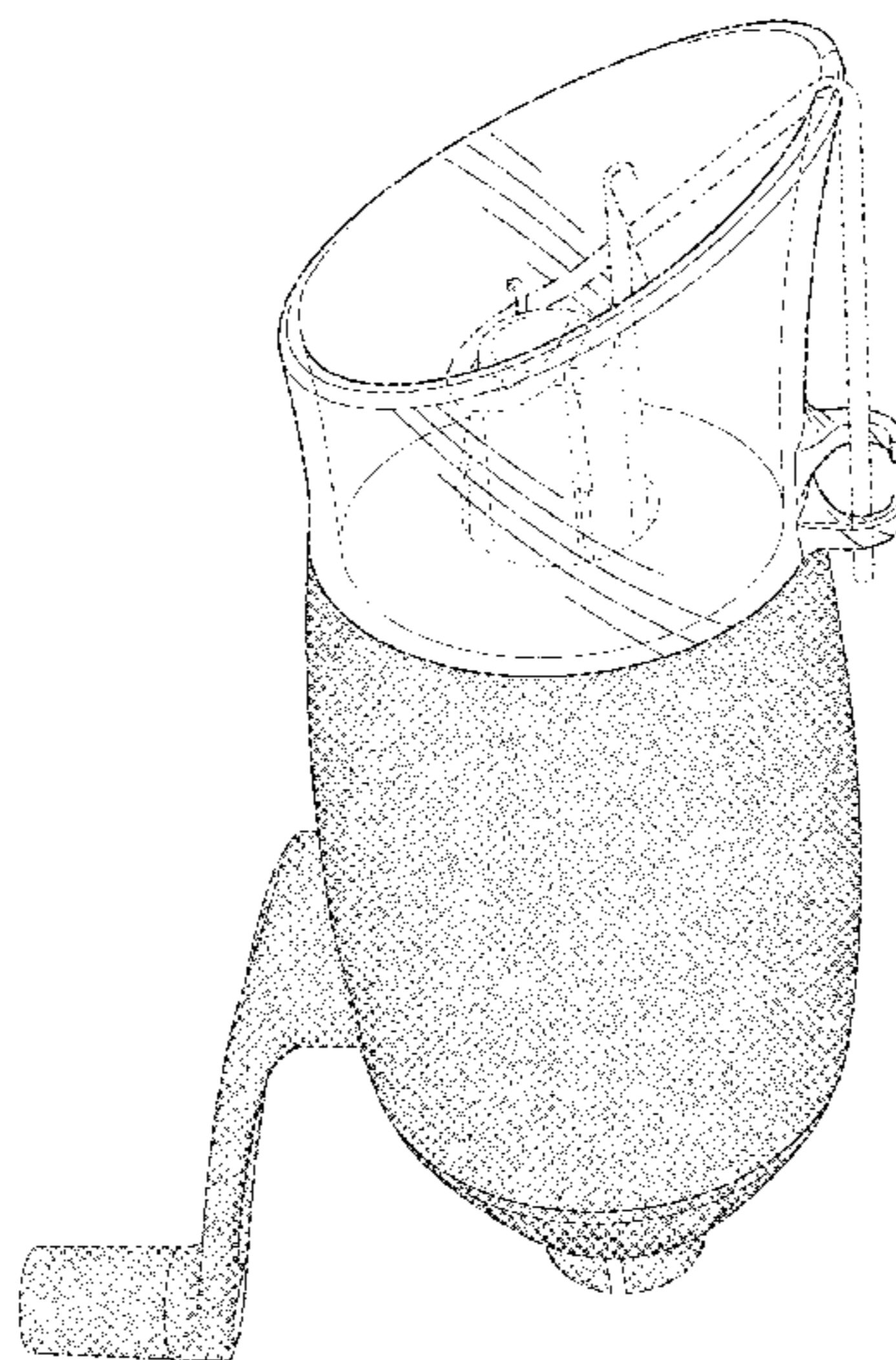
(57) **CLAIM**

The ornamental design for a knitting machine, as shown and described.

**DESCRIPTION**

FIG. 1 is a top front perspective view of the new design for a knitting machine.  
 FIG. 2 is a bottom back perspective view of the new design for a knitting machine.  
 FIG. 3 is a front view of the new design for a knitting machine.  
 FIG. 4 is a back view of the new design for a knitting machine.  
 FIG. 5 is a right side view of the new design for a knitting machine.  
 FIG. 6 is a left side view of the new design for a knitting machine.  
 FIG. 7 is a bottom view of the new design for a knitting machine.  
 FIG. 8 is a top view of the new design for a knitting machine.  
 FIG. 9 is a cross-sectional view as indicated in FIG. 8; and,  
 FIG. 10 is an enlarged partial view of the area indicated in FIG. 9.  
 The features shown in broken lines in the drawings form no part of the claimed design.

**1 Claim, 10 Drawing Sheets**



(56)

**References Cited**

U.S. PATENT DOCUMENTS

D216,479 S \* 1/1970 Swanson ..... D15/66  
D243,294 S \* 2/1977 Thaheld ..... D15/66  
4,674,300 A \* 6/1987 Thompson, Jr. .... D04B 35/10  
66/8  
6,276,986 B1 \* 8/2001 Wu ..... A63H 33/3088  
446/474  
6,360,566 B1 \* 3/2002 Koike ..... D04B 9/00  
66/8  
D463,463 S \* 9/2002 Zenoni ..... D15/78  
D469,818 S \* 2/2003 Asou ..... D21/398  
D676,069 S \* 2/2013 Fujiwara ..... D15/78  
D732,583 S \* 6/2015 Szymanski ..... D15/78  
D733,193 S \* 6/2015 Szymanski ..... D15/78

\* cited by examiner

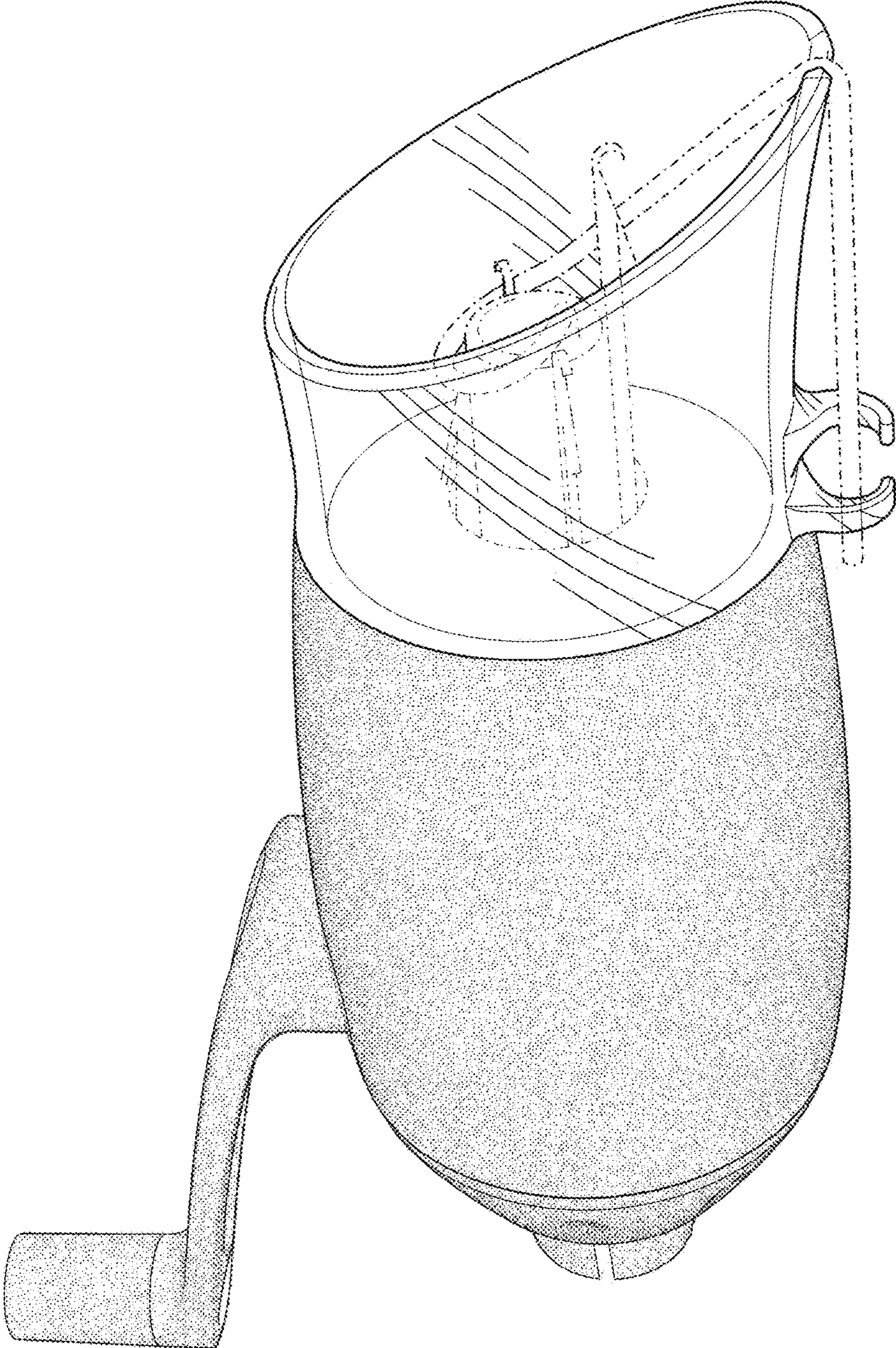


Fig. 1



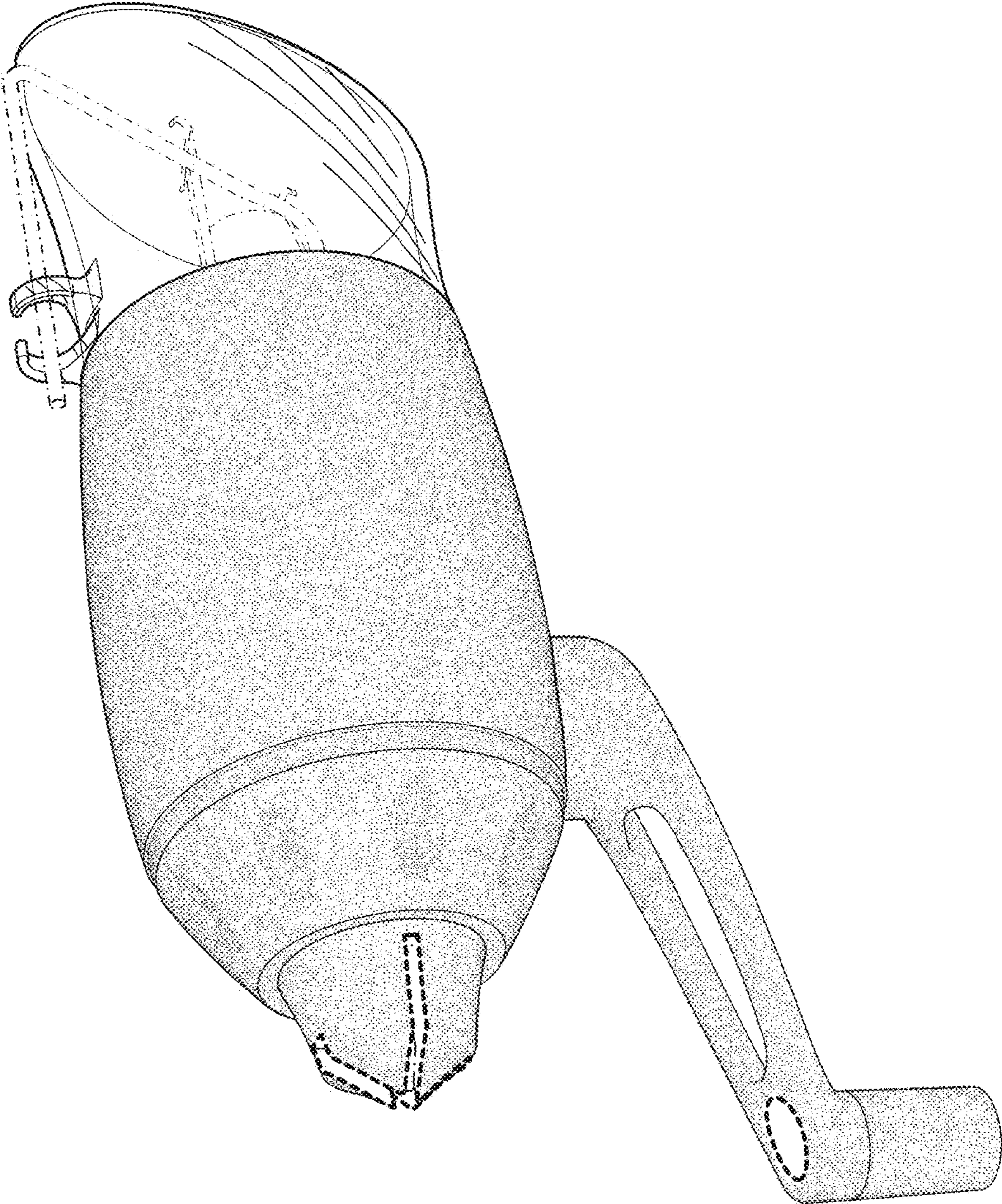


Fig. 2

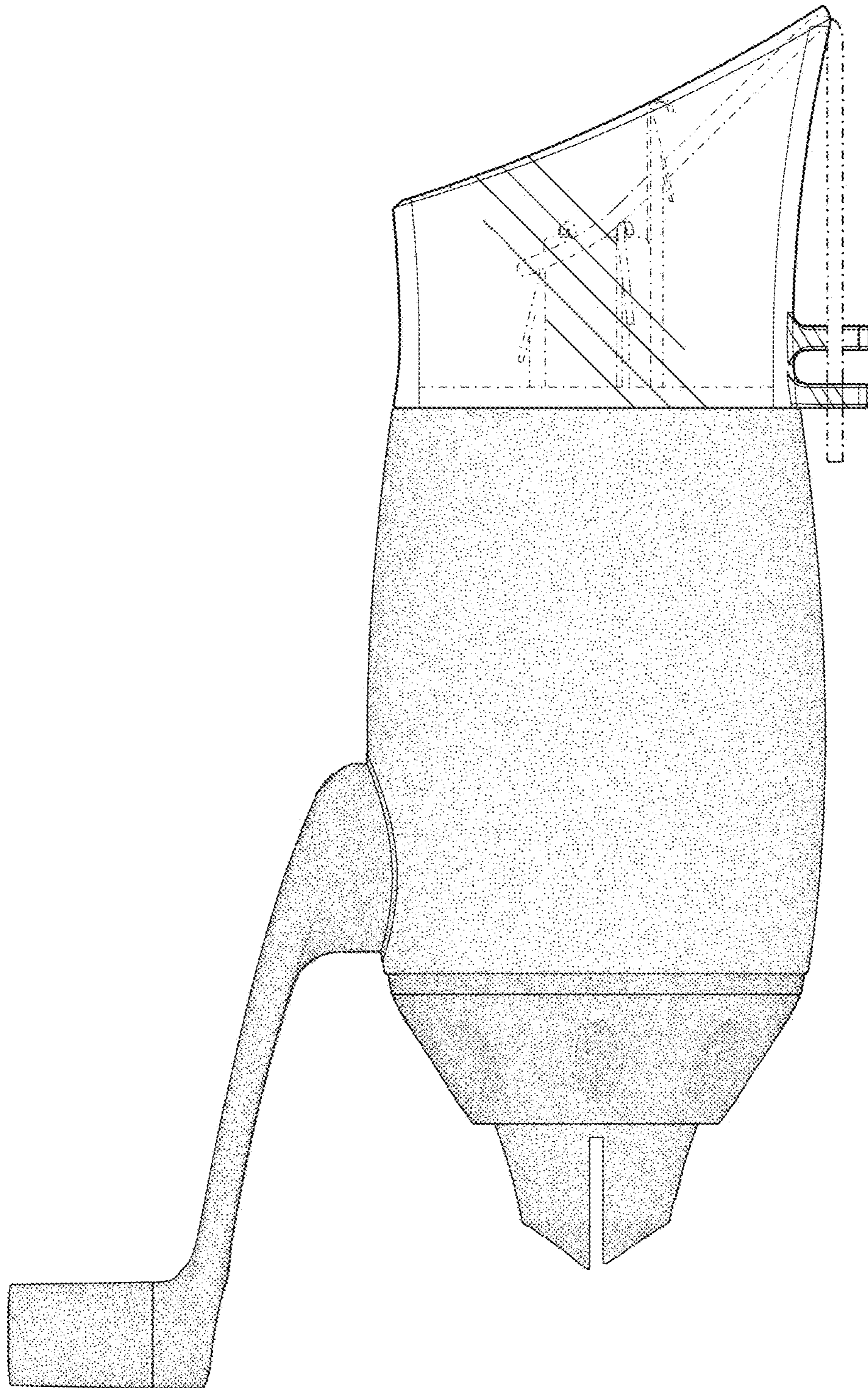


Fig. 3



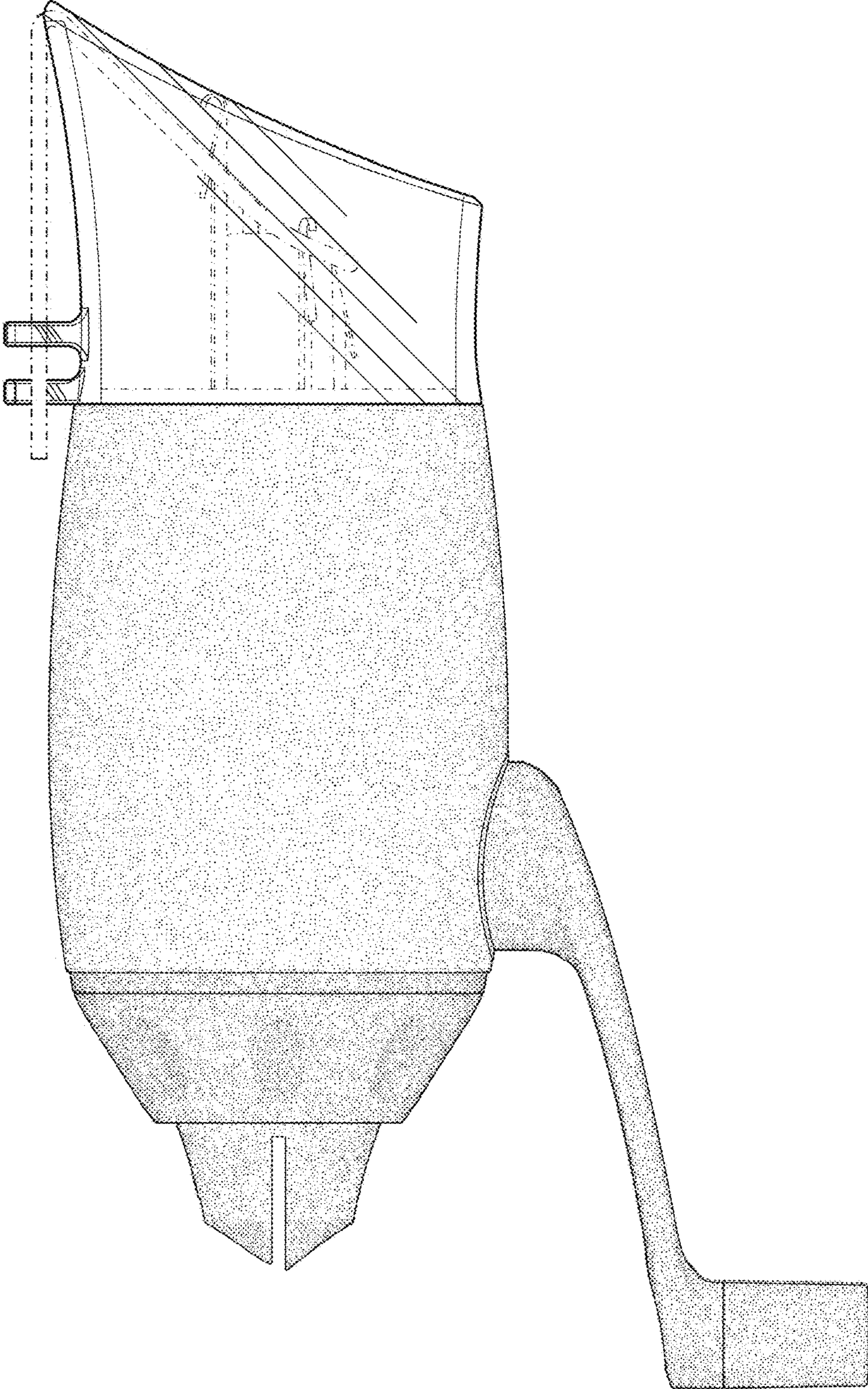


Fig. 4

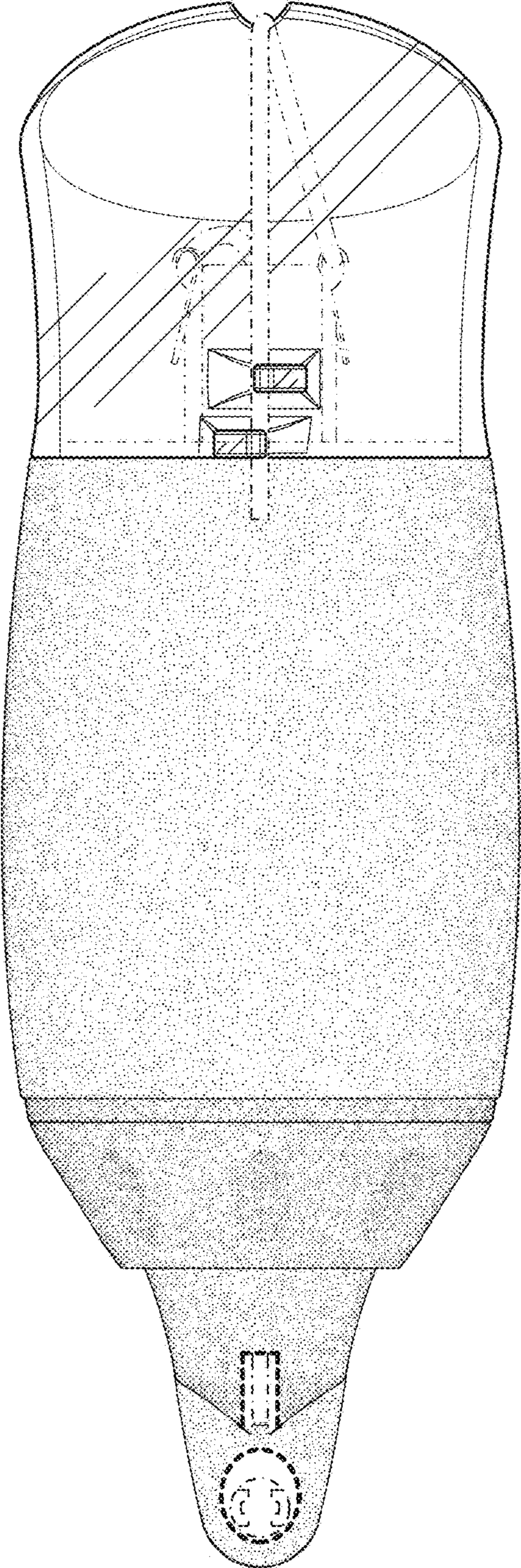


Fig. 5



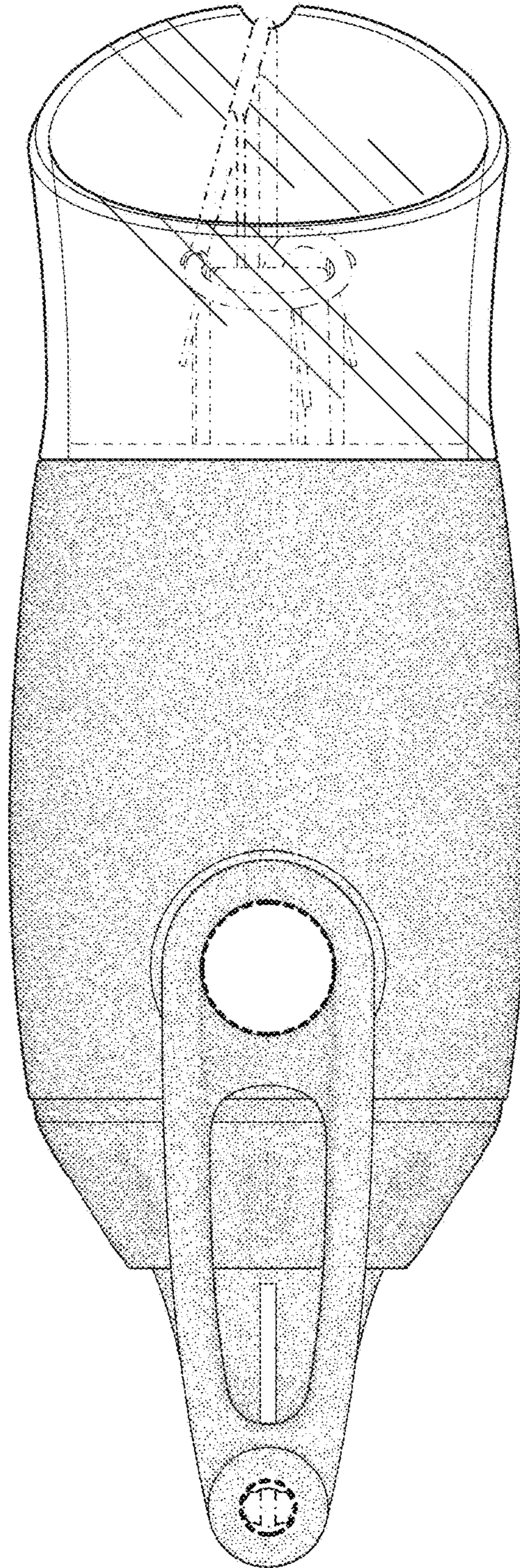


Fig. 6



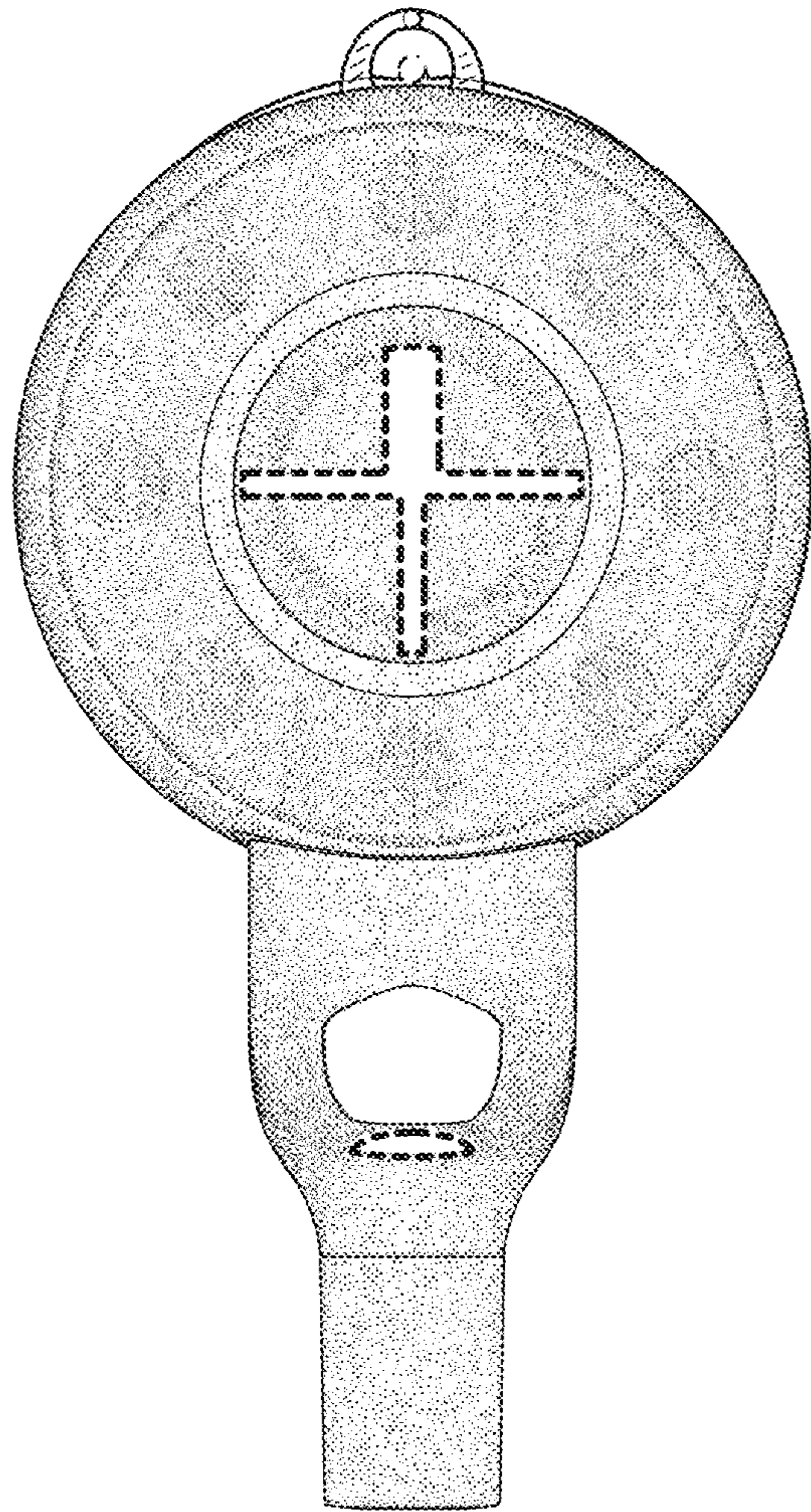


Fig. 7

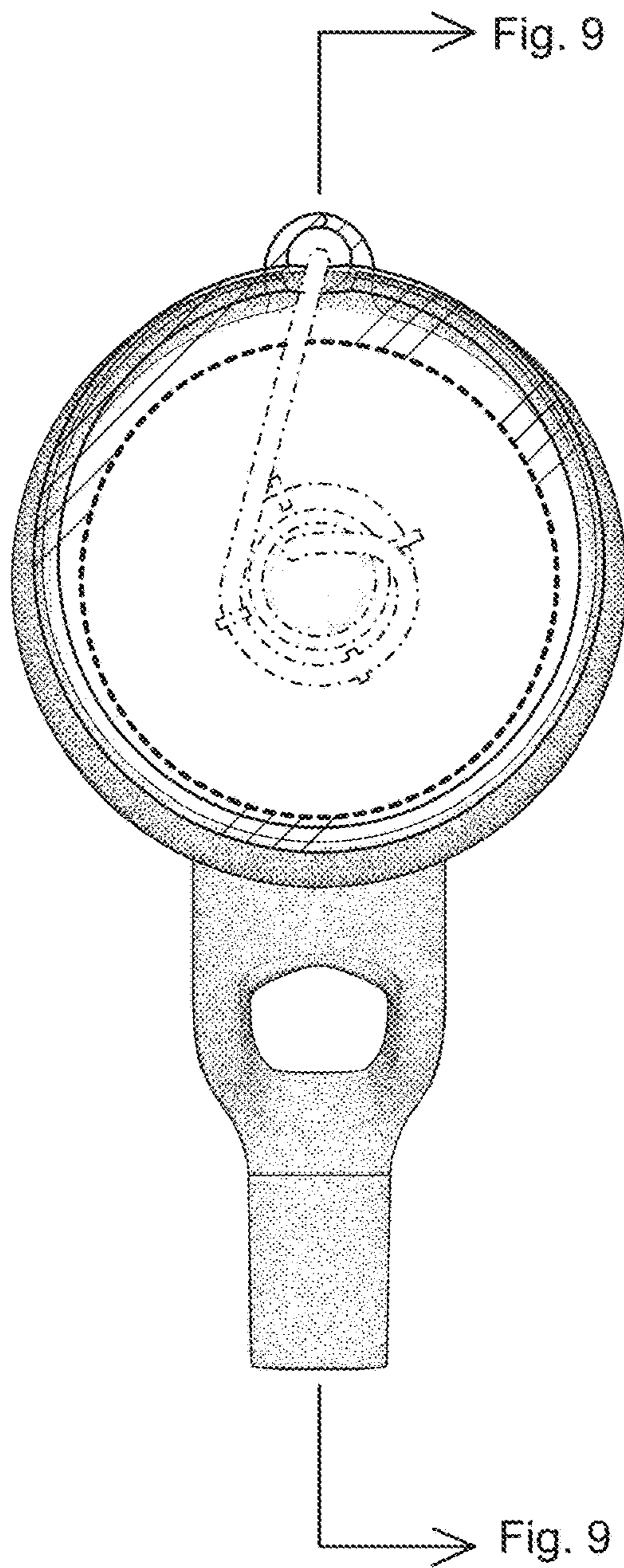


Fig. 8



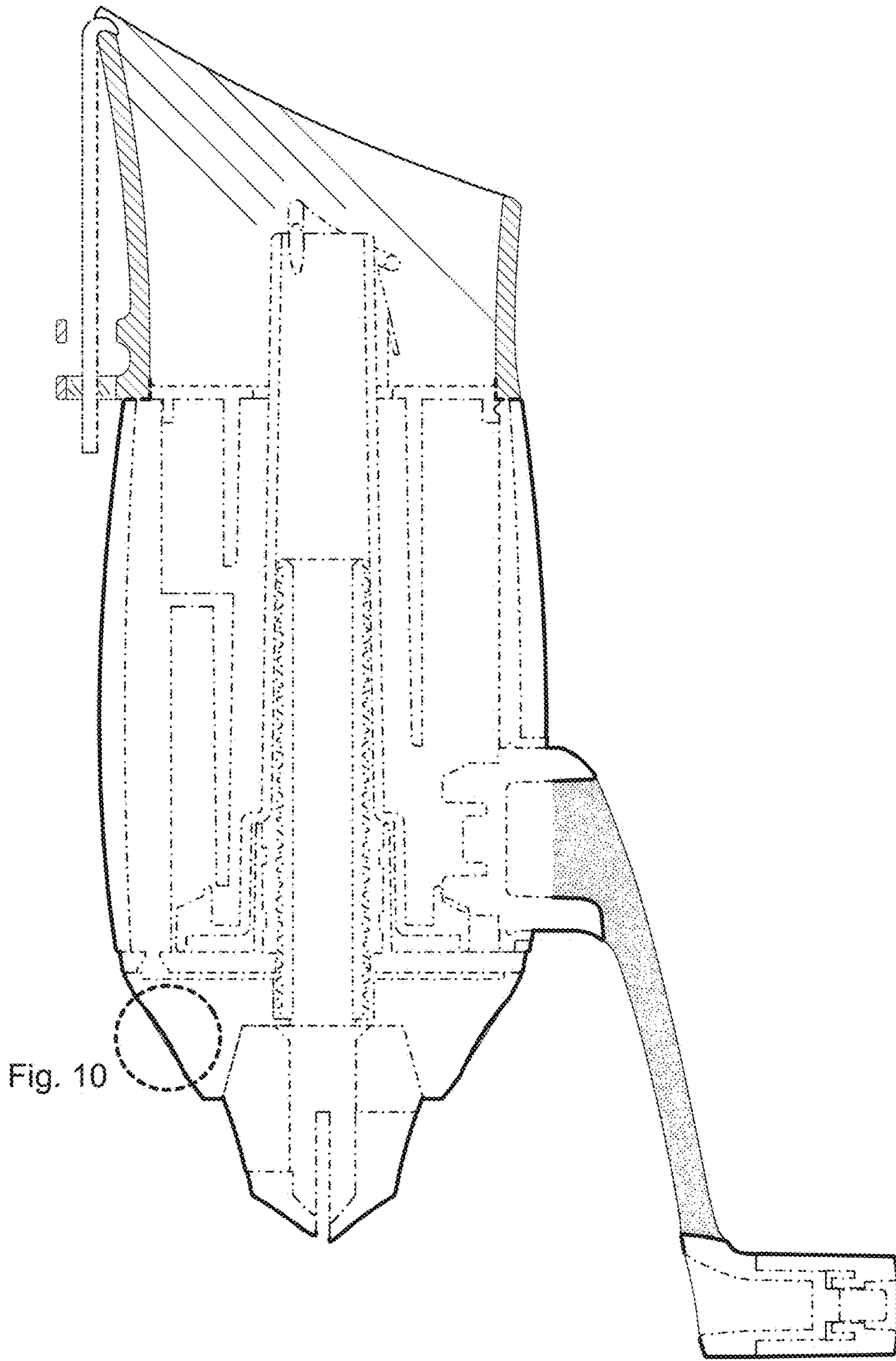


Fig. 9

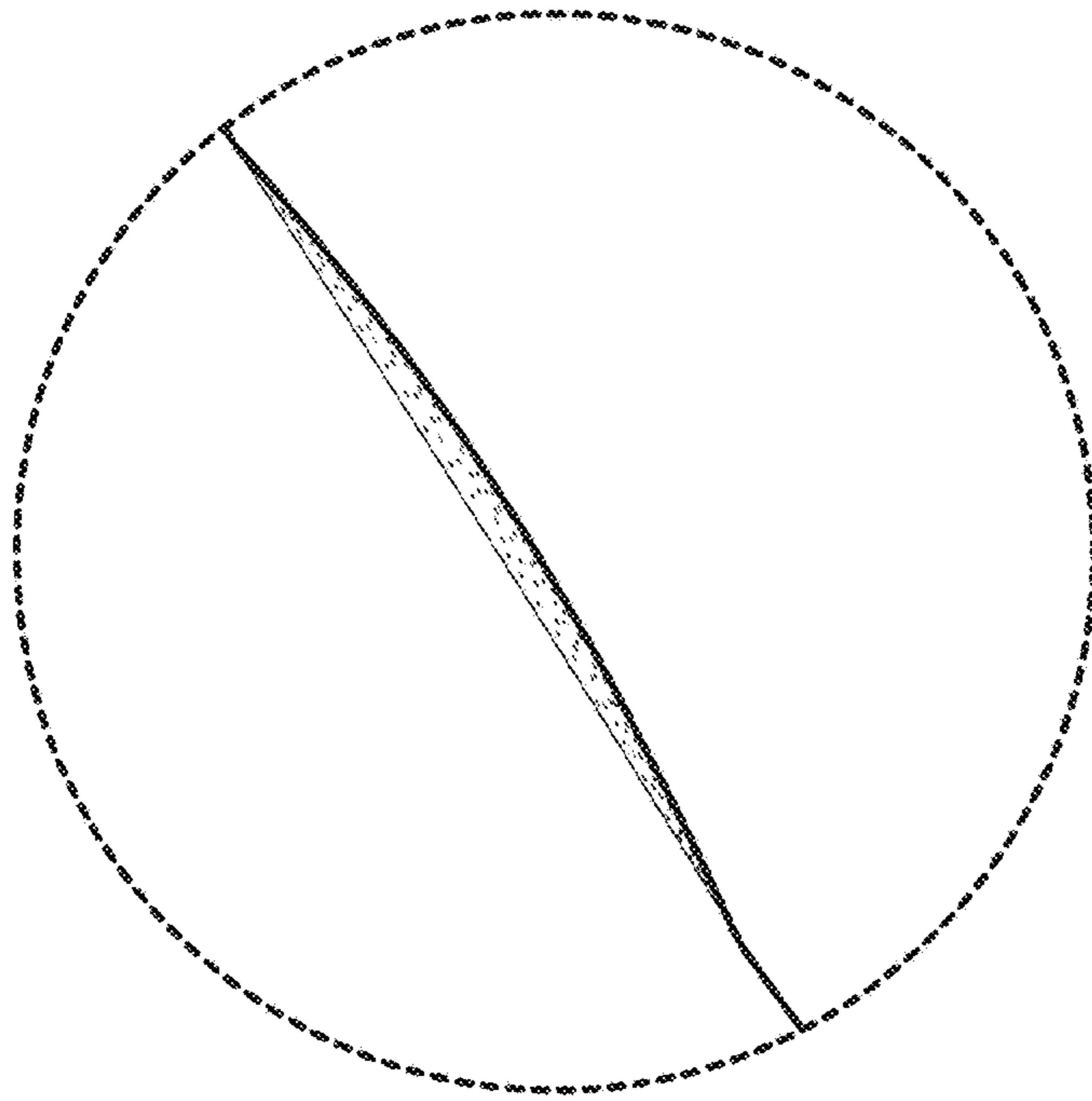


Fig. 10