



US00D850495S

(12) **United States Design Patent**
Dubiel et al.

(10) **Patent No.:** **US D850,495 S**
(45) **Date of Patent:** **** Jun. 4, 2019**

- (54) **DOSING CAP** 3,326,402 A * 6/1967 Randazzo B65D 47/242
215/44
- (71) Applicant: **Chapin Manufacturing, Inc.**, Batavia, NY (US) D217,689 S * 5/1970 Donelson, Jr. D15/13
4,941,598 A * 7/1990 Lambelet, Jr. B05B 11/3004
222/321.6
- (72) Inventors: **David Dubiel**, N. Chili, NY (US); D335,449 S * 5/1993 Appla D9/447
James R. Fontaine, Marilla, NY (US) D368,100 S * 3/1996 Yoshikawa D15/13
D381,911 S * 8/1997 Lathrop D9/453
5,881,894 A * 3/1999 Gargano B65D 41/26
141/381
- (73) Assignee: **Chapin Manufacturing, Inc.**, Batavia, NY (US)

(Continued)

(**) Term: **15 Years**

Primary Examiner — Michael A. Pratt
Assistant Examiner — Wendy L Arminio

(21) Appl. No.: **29/626,336**

(74) *Attorney, Agent, or Firm* — Woods Oviatt Gilman LLP; Katherine H. McGuire, Esq.

(22) Filed: **Nov. 16, 2017**

(51) **LOC (11) Cl.** **15-03**

(52) **U.S. Cl.**

USPC **D15/28**; D15/13; D9/447

(58) **Field of Classification Search**

USPC D9/428, 429, 432, 434, 435, 436, 439,
D9/440, 443, 444, 445, 447, 449–455,
D9/499, 500, 503, 504, 705; D7/317,
D7/387, 391, 392, 392.1, 393, 396.1,
D7/396.2, 509–511, 538, 900; D3/202,
D3/203.2, 294, 302, 318; D28/91;
D15/13, 28; D23/229; D10/101
CPC .. A61J 1/00; A61J 1/1412; B65D 1/00; B65D
1/02; B65D 1/10; B65D 1/46; B65D
2585/56; B65D 2585/545; B65D 41/00;
B65D 41/38; B65D 41/56; B65D 41/62;
B65D 47/00; B65D 47/06; B65D 47/08;
B65D 2543/00046; B65D 2543/00092;
B65D 2543/00296; B65D 5/46; B65D
2251/00

See application file for complete search history.

(56) **References Cited**

U.S. PATENT DOCUMENTS

- 1,029,738 A * 6/1912 Baruch B65D 41/62
215/251
- D132,610 S * 6/1942 Zuckermann D23/209

(57) **CLAIM**

The ornamental design a dosing cap, as shown and described.

DESCRIPTION

FIG. 1 is a front perspective view of a dosing cap of our new design shown in an environment of use with a mounting nut and closure drawn in broken lines.

FIG. 2 is a front perspective view of a dosing cap of our new design with the environmental mounting nut and closure removed;

FIG. 3 is a front view thereof;

FIG. 4 is a back view thereof;

FIG. 5 is a top view thereof;

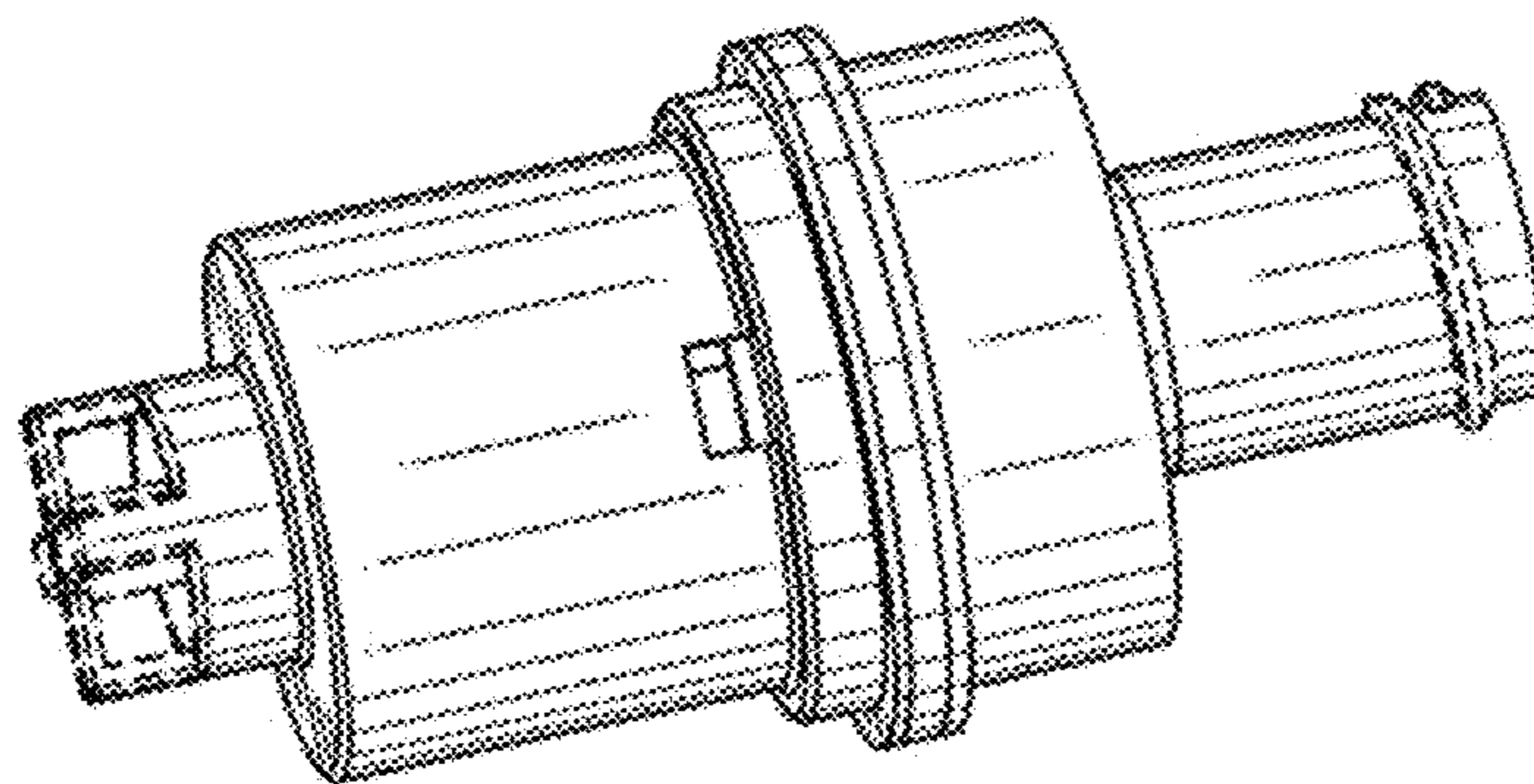
FIG. 6 is a bottom view thereof;

FIG. 7 is a left side view thereof; and,

FIG. 8 is a right side view thereof.

The broken lines in FIG. 1 illustrating a mounting nut and closure depict environmental subject matter and form no part of the claimed design. All other broken lines depict portions of the dosing cap that form no part of the claimed design.

1 Claim, 3 Drawing Sheets



(56)

References Cited

U.S. PATENT DOCUMENTS

5,931,508 A * 8/1999 Spriegel F16L 19/005
285/87
D468,165 S * 1/2003 Gerenraich D7/619.1
D490,315 S * 5/2004 Kiser 206/219
6,752,179 B1 * 6/2004 Schwartz B05B 7/2408
141/114
D507,744 S * 7/2005 Hierzer D9/440
D538,649 S * 3/2007 Anderson D9/447
D596,486 S * 7/2009 Pearsall D10/101
D721,958 S * 2/2015 Hamway D9/436
D735,769 S * 8/2015 Thompson D15/28
9,242,772 B1 * 1/2016 Anderson B65D 47/243
D763,073 S * 8/2016 Romero Salido D9/436
D768,492 S * 10/2016 Kim D9/434
D770,889 S * 11/2016 Waggoner D9/428
9,498,086 B2 * 11/2016 Waggoner A47J 43/27
2003/0213709 A1 * 11/2003 Gibler B65D 51/2842
206/219
2014/0230659 A1 * 8/2014 Waggoner A47J 31/005
99/323
2016/0038960 A1 * 2/2016 Fontaine B05B 11/3052
239/332

* cited by examiner

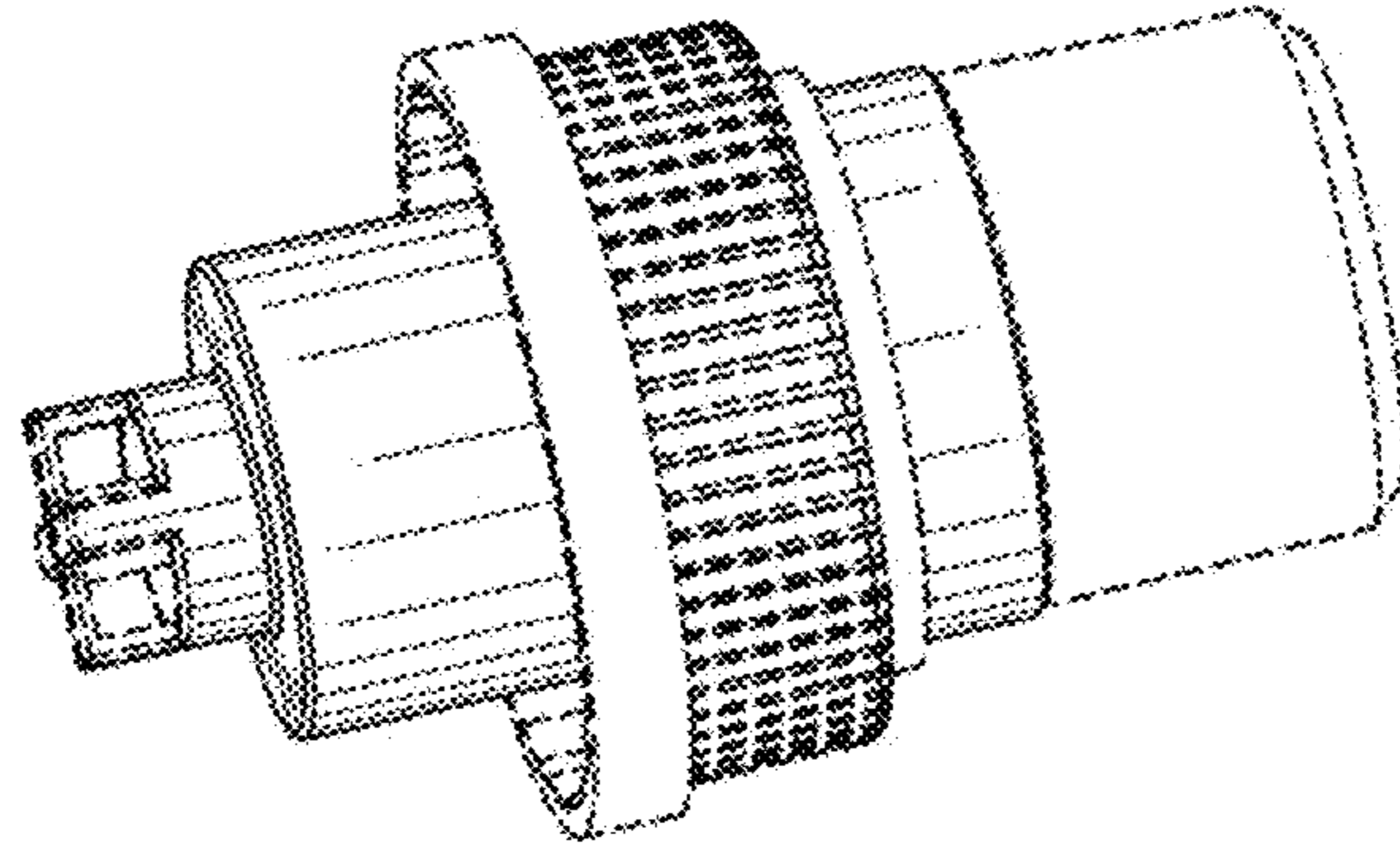


FIG. 1

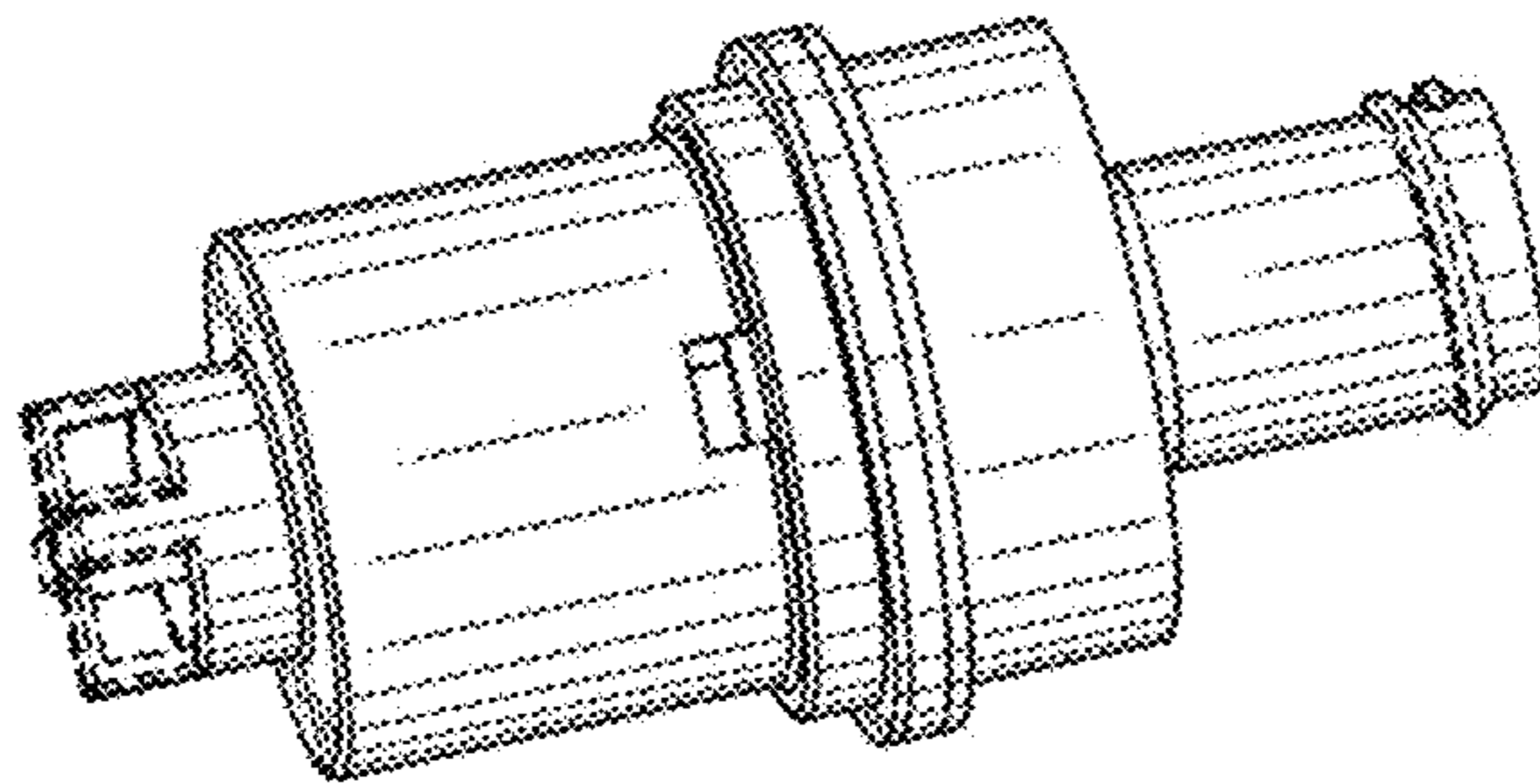


FIG. 2

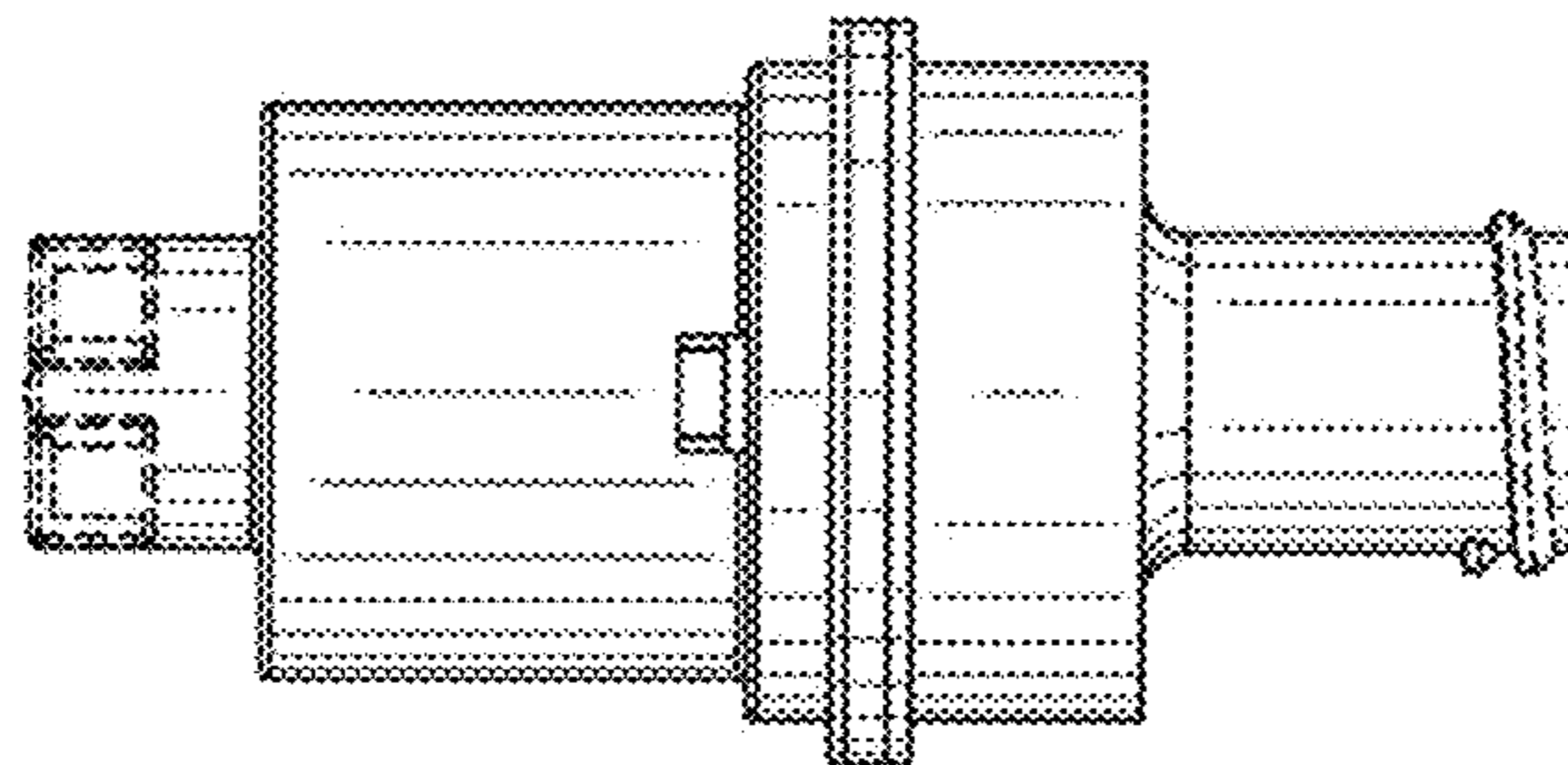


FIG. 3

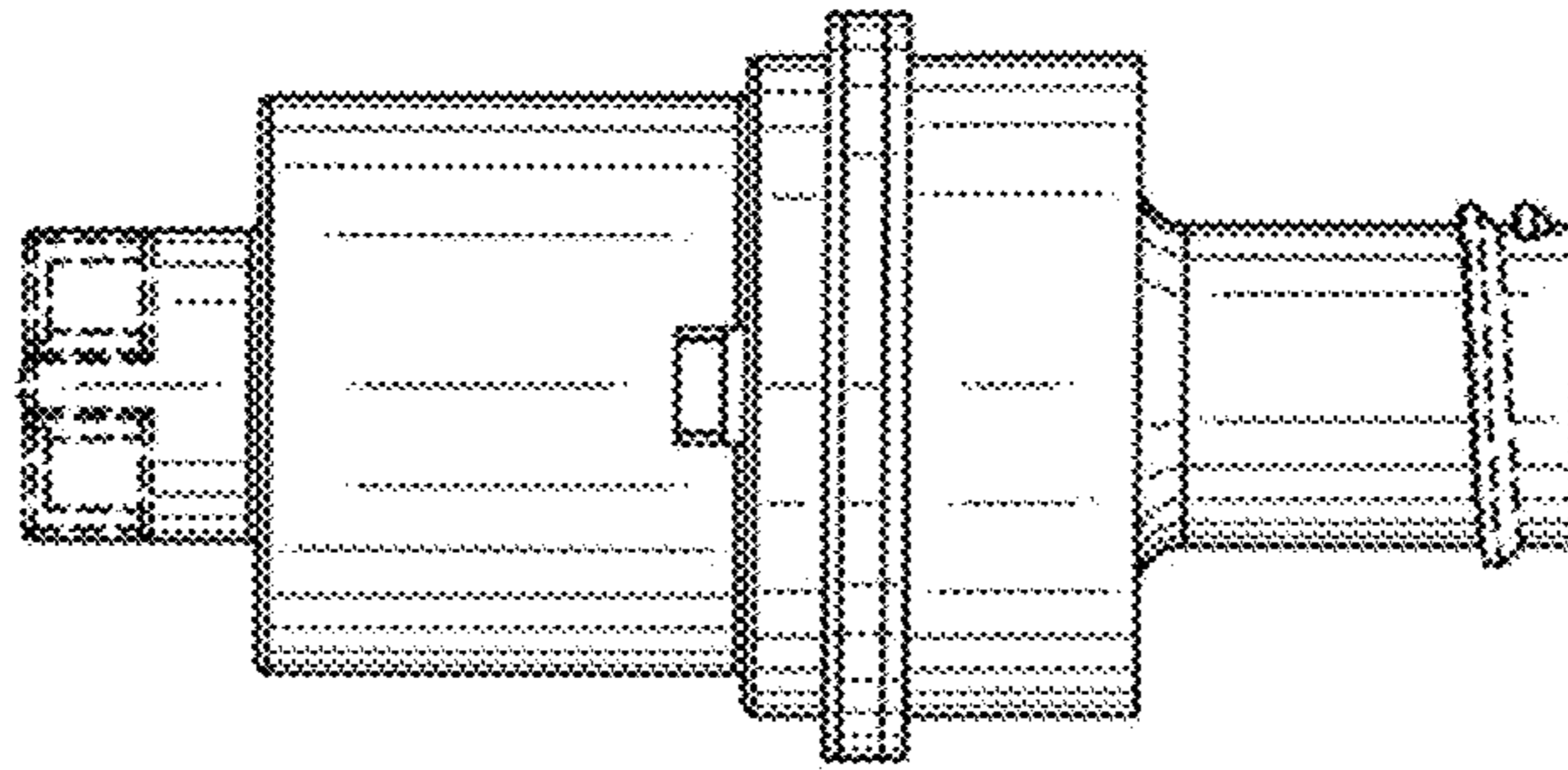


FIG. 4

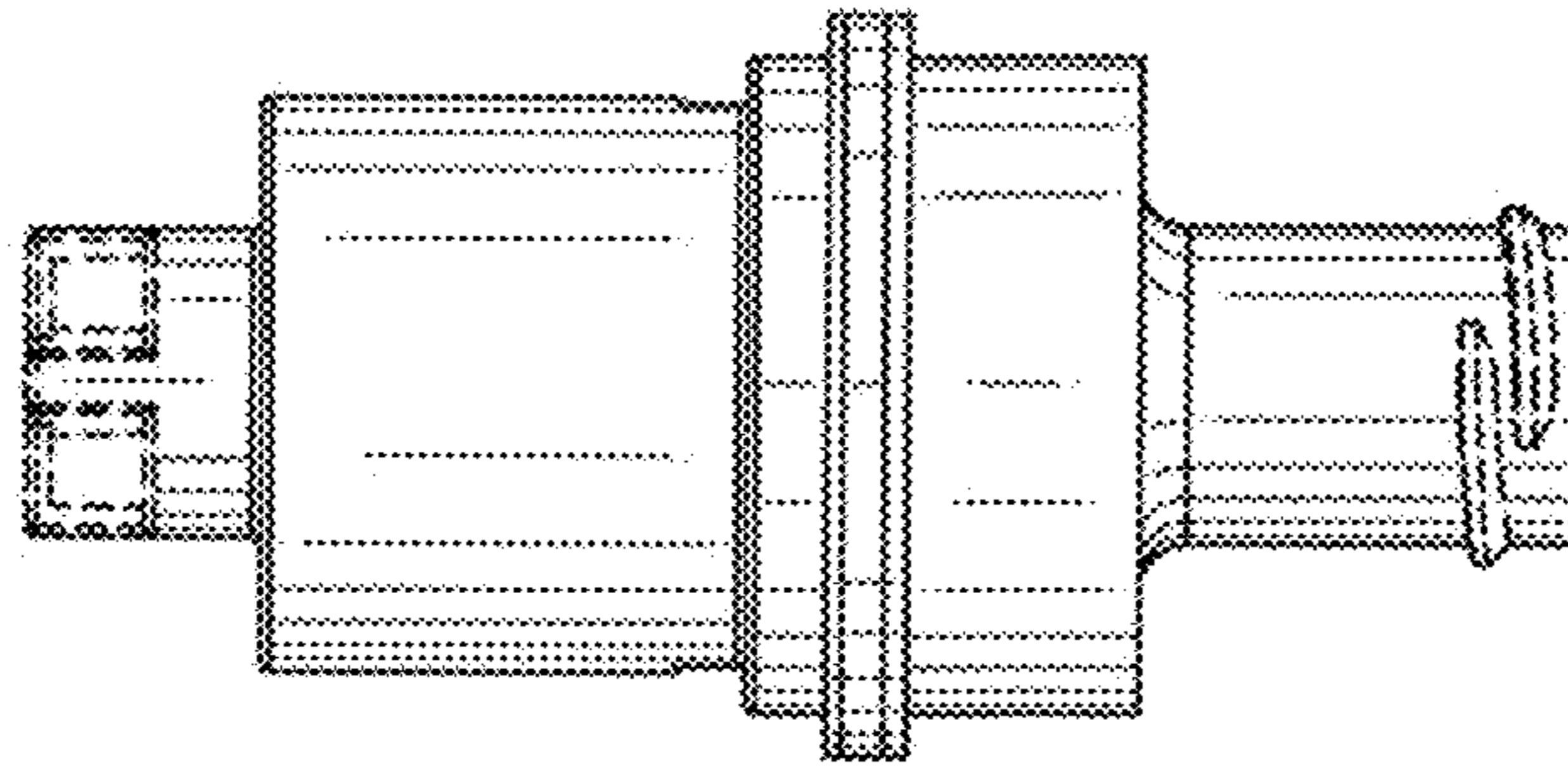


FIG. 5

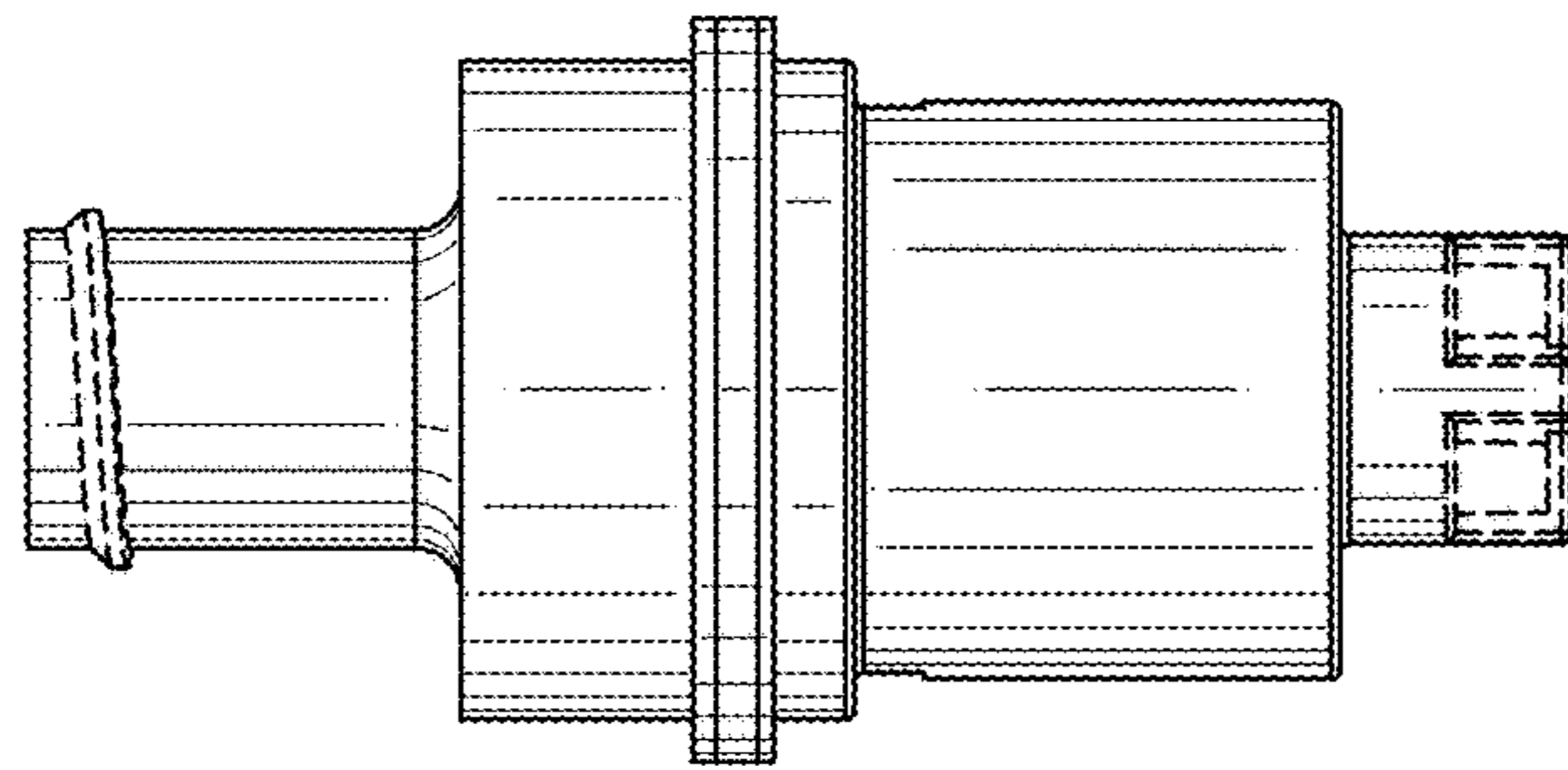


FIG. 6

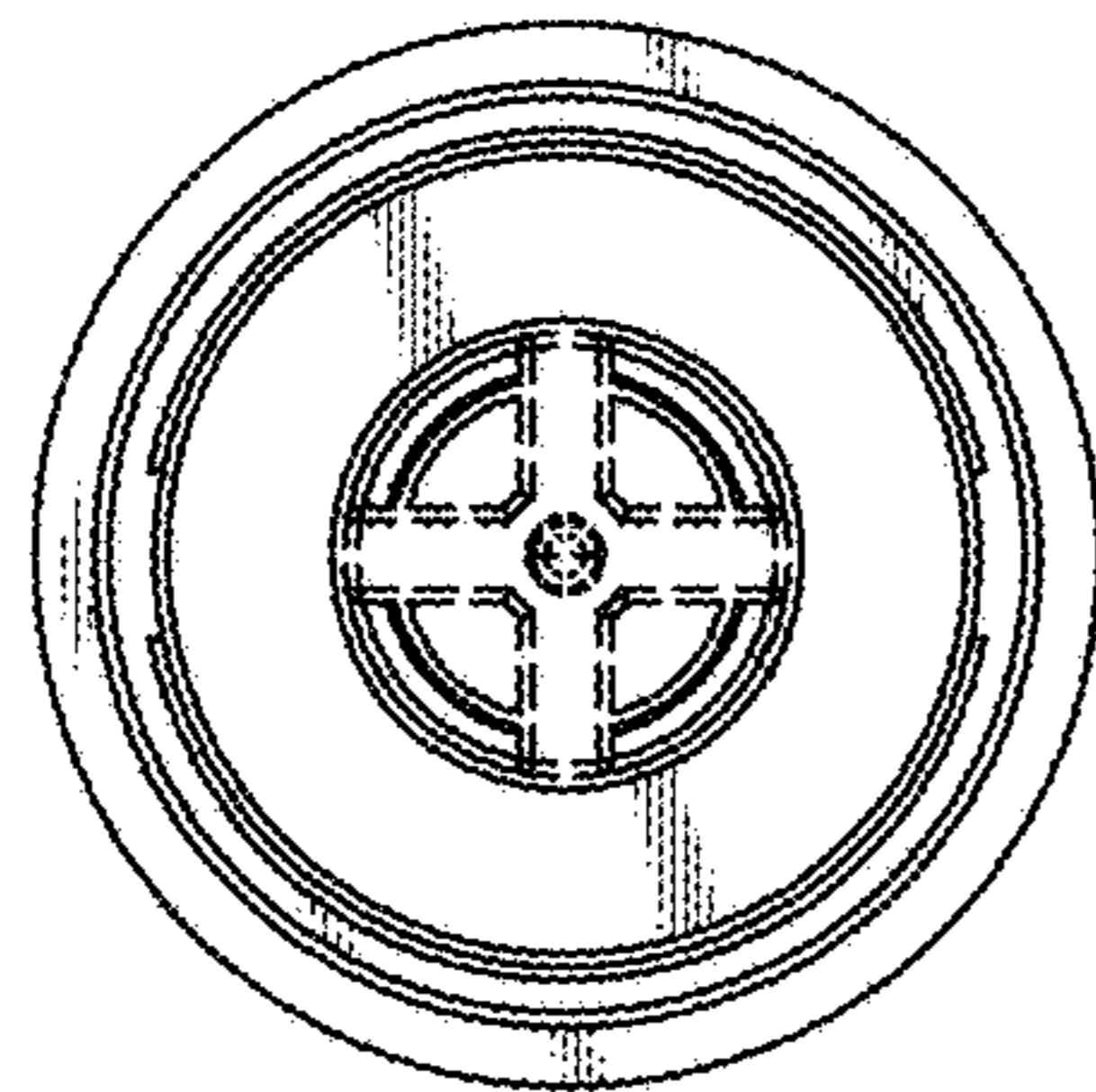


FIG. 7

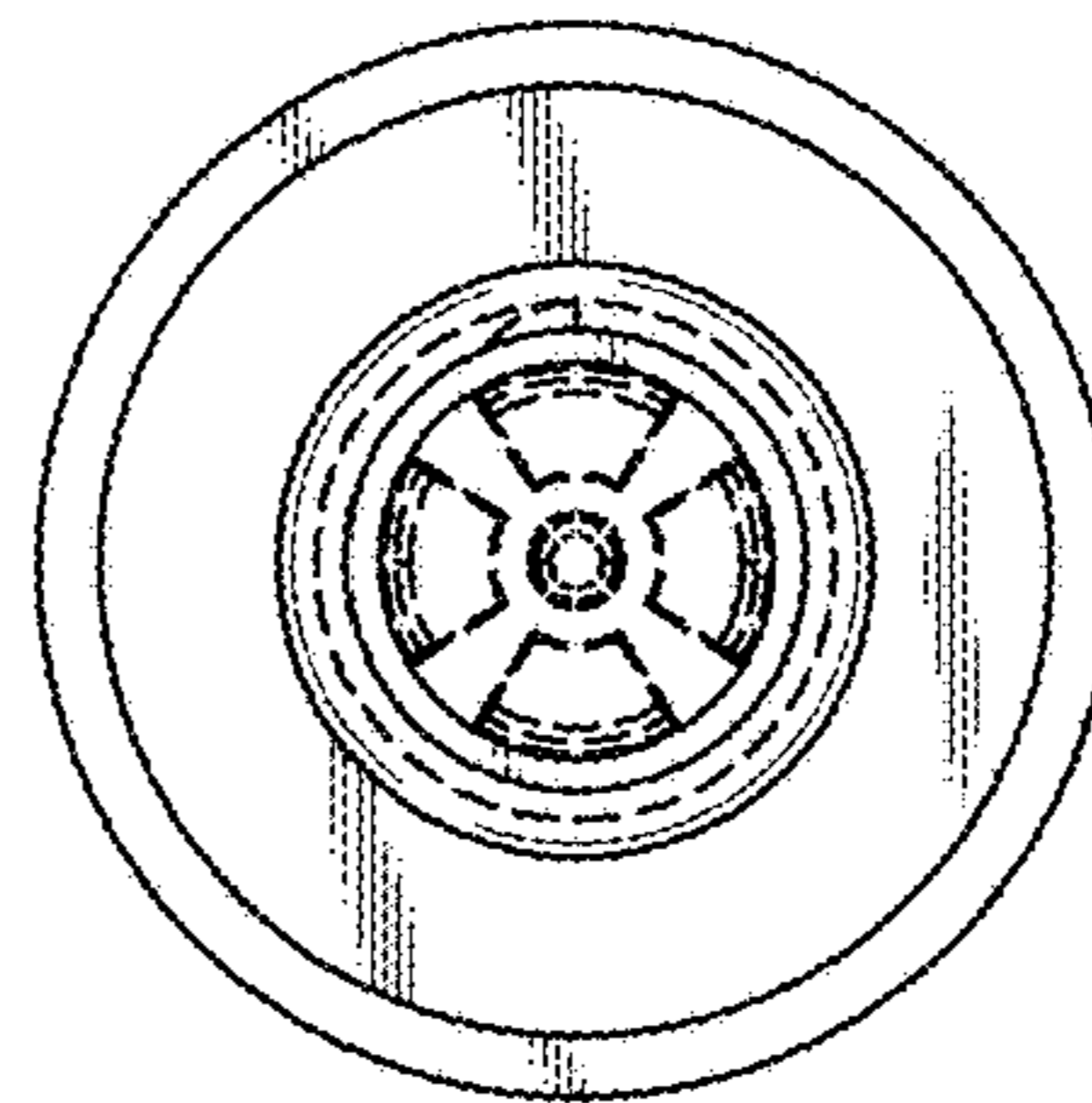


FIG. 8