



US00D850494S

(12) **United States Design Patent**
Tatsumi et al.

(10) **Patent No.:** **US D850,494 S**
(45) **Date of Patent:** **** Jun. 4, 2019**

(54) **POWERLINK**
(71) Applicant: **Caterpillar SARL**, Geneva (CH)
(72) Inventors: **Kota Tatsumi**, Tokyo (JP); **Hiroya Ito**, Tokyo (JP)
(73) Assignee: **Caterpillar SARL**, Geneva (CH)
(**) Term: **15 Years**
(21) Appl. No.: **29/616,397**
(22) Filed: **Sep. 6, 2017**
(51) **LOC (11) Cl.** **15-03**
(52) **U.S. Cl.**
USPC **D15/28**
(58) **Field of Classification Search**
USPC D15/11, 17, 21-28, 32
CPC A01B 49/027; A01B 49/02; A01B 59/002;
A01B 59/008; A01B 59/04; A01C 5/06;
A01C 5/068; A01C 7/08; F16C 25/02;
F16C 17/10; F16C 33/104; F16C 33/20;
F16C 2204/14; F16C 2204/12; F16C
2204/00
See application file for complete search history.

5,476,356 A * 12/1995 Weiss A01D 87/0053
414/24.5
5,507,354 A * 4/1996 Harleman E21B 19/087
173/185
5,807,061 A * 9/1998 Donoghue E02F 3/3411
414/697
5,810,371 A * 9/1998 Velke B60D 1/143
280/32.7
5,813,822 A * 9/1998 Pisco E02F 3/3622
294/104
D405,098 S * 2/1999 Andrews D15/28
5,885,050 A * 3/1999 Kim E02F 3/3408
414/706
5,984,618 A * 11/1999 Deneve E02F 3/283
414/697
6,062,582 A * 5/2000 Martin B62D 51/02
280/32.7
D528,569 S * 9/2006 Nilsson D15/32
D598,031 S * 8/2009 Smith D15/28
D628,604 S * 12/2010 Major D15/28
D629,019 S * 12/2010 Major D15/28
D645,884 S * 9/2011 Attwood D15/21
D646,302 S * 10/2011 Lanting D15/28
D646,306 S * 10/2011 Bradley D15/28

(Continued)

Primary Examiner — Mark A Goodwin

(57) **CLAIM**

The ornamental design for a powerlink, as shown and described.

(56) **References Cited**

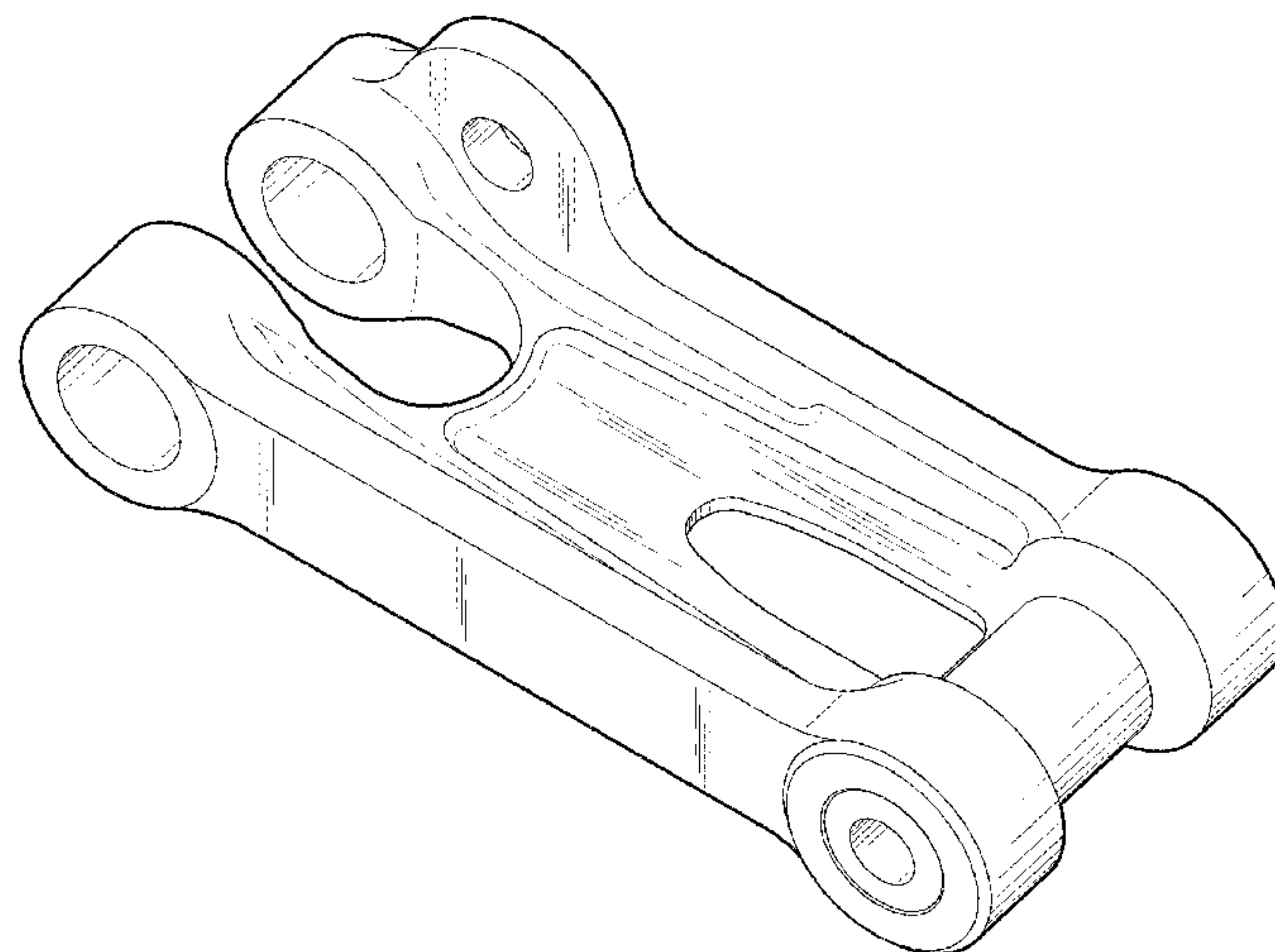
U.S. PATENT DOCUMENTS

3,894,484 A * 7/1975 Anstey A01F 15/141
100/13
3,913,473 A * 10/1975 Meiers A01F 15/141
100/5
5,231,828 A * 8/1993 Swearingen A01F 15/0715
100/5
5,240,366 A * 8/1993 Bamford B60K 20/00
212/261
5,333,693 A * 8/1994 Severeid A01G 23/06
171/82
5,335,739 A * 8/1994 Pieterse B62D 9/00
180/242

DESCRIPTION

FIG. 1 is a perspective view of a powerlink having a hanging hook feature showing our new design; FIG. 2 is a front view thereof; FIG. 3 is a rear view thereof; FIG. 4 is a top view thereof; FIG. 5 is a bottom view thereof; FIG. 6 is a left side view thereof; and, FIG. 7 is a right side view thereof.

1 Claim, 7 Drawing Sheets



(56)

References Cited

U.S. PATENT DOCUMENTS

D649,170 S * 11/2011 Barba D15/28
D649,171 S * 11/2011 Barba D15/28
D654,514 S * 2/2012 Jamieson D15/28
D656,164 S * 3/2012 Nilsson D15/28
D656,523 S * 3/2012 Nilsson D15/28
D665,826 S * 8/2012 Clarke D15/28
D672,371 S * 12/2012 Nakamura D15/28
D672,372 S * 12/2012 Nilsson D15/28
D672,791 S * 12/2012 Nakamura D15/28
D739,446 S * 9/2015 Nilsson D15/32
D746,877 S * 1/2016 Bradley D15/28
D760,811 S * 7/2016 Uchijima D15/28
9,528,242 B2 * 12/2016 Oyama E02F 3/3411
D807,407 S * 1/2018 Takagi D15/32
9,863,117 B2 * 1/2018 Calvert E02F 3/3627
D812,111 S * 3/2018 Sivinski D15/28
2010/0119344 A1 * 5/2010 Nabata E02F 3/38
414/722
2010/0232920 A1 * 9/2010 Calvert E02F 3/3627
414/723
2017/0350090 A1 * 12/2017 Claesson A01B 59/06
2018/0127947 A1 * 5/2018 Calvert E02F 3/3627
2018/0251950 A1 * 9/2018 Brown E02F 3/364

* cited by examiner

FIG. 1

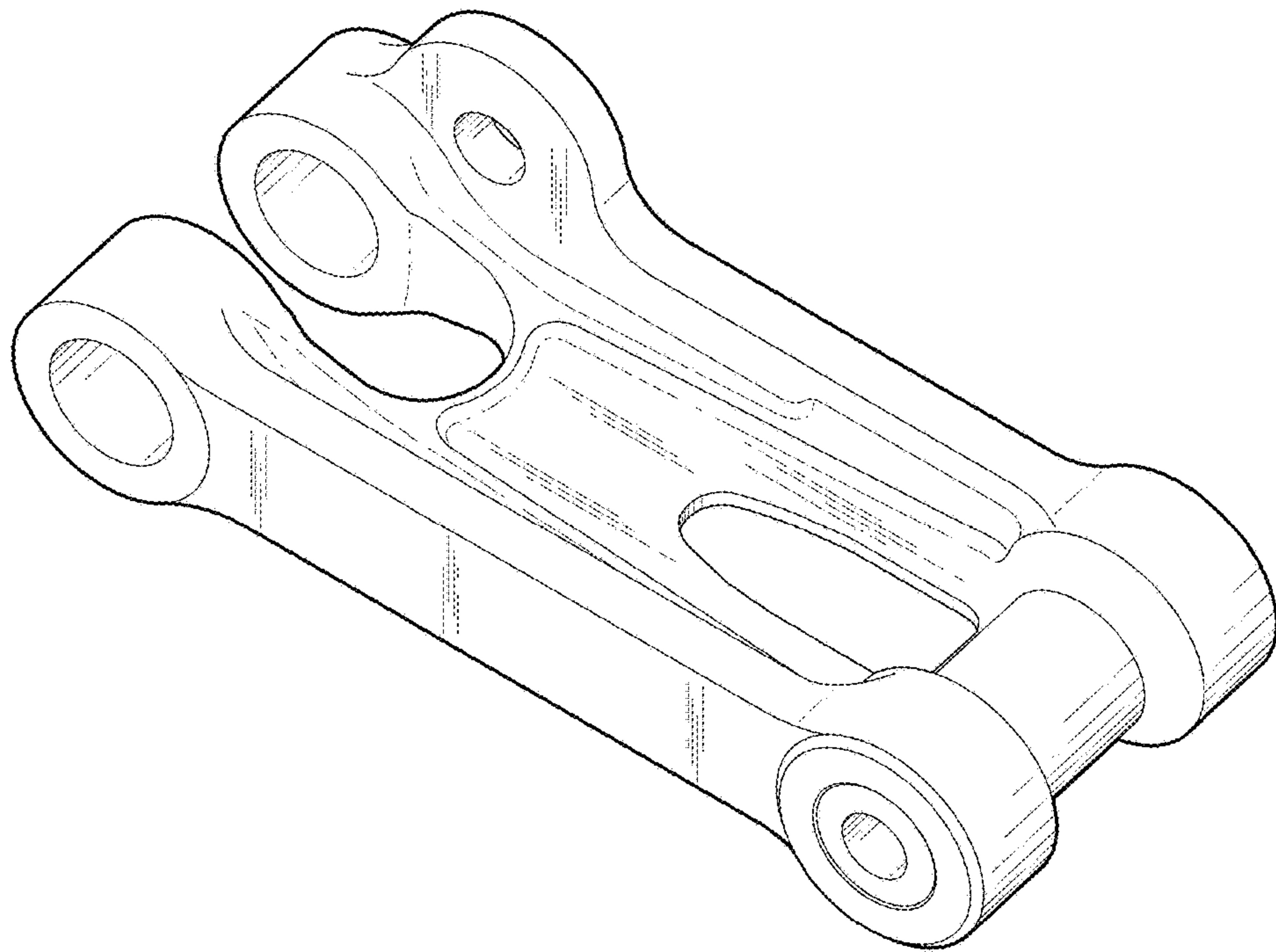


FIG. 2

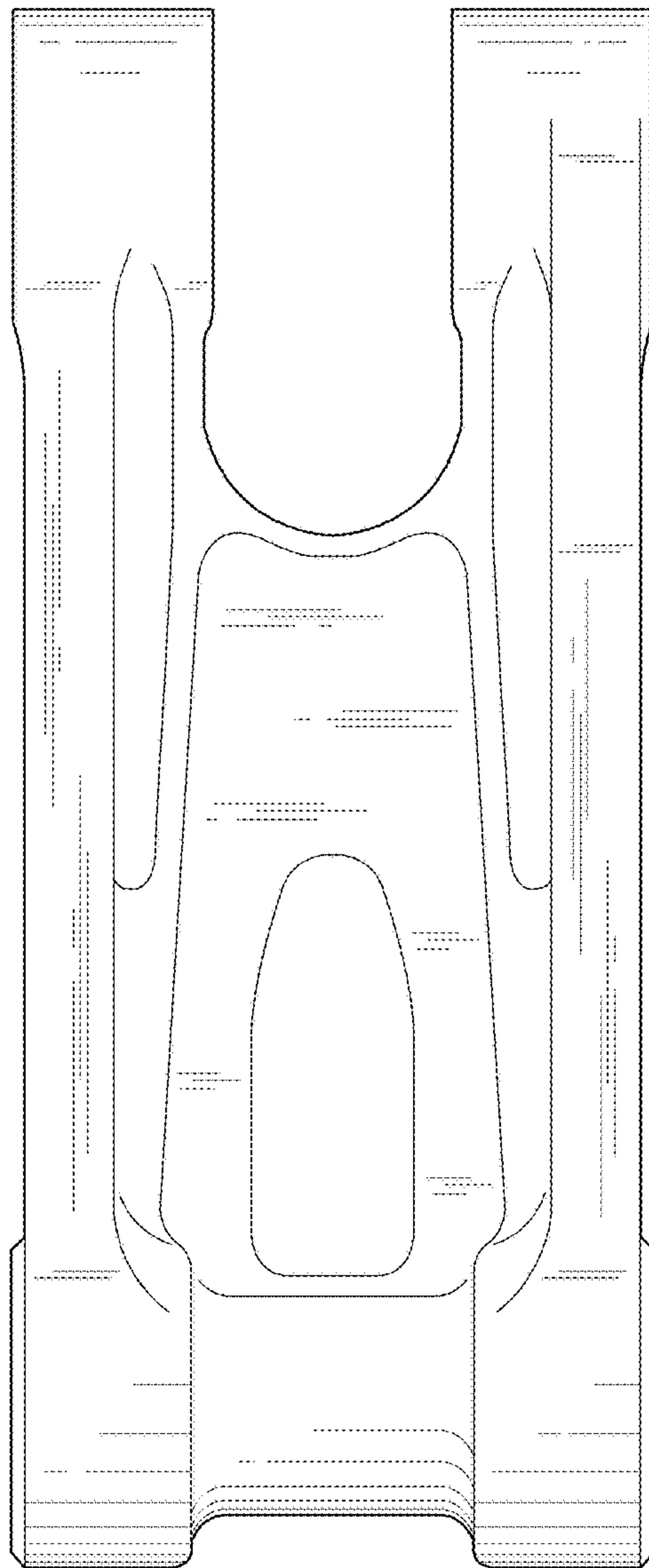


FIG. 3

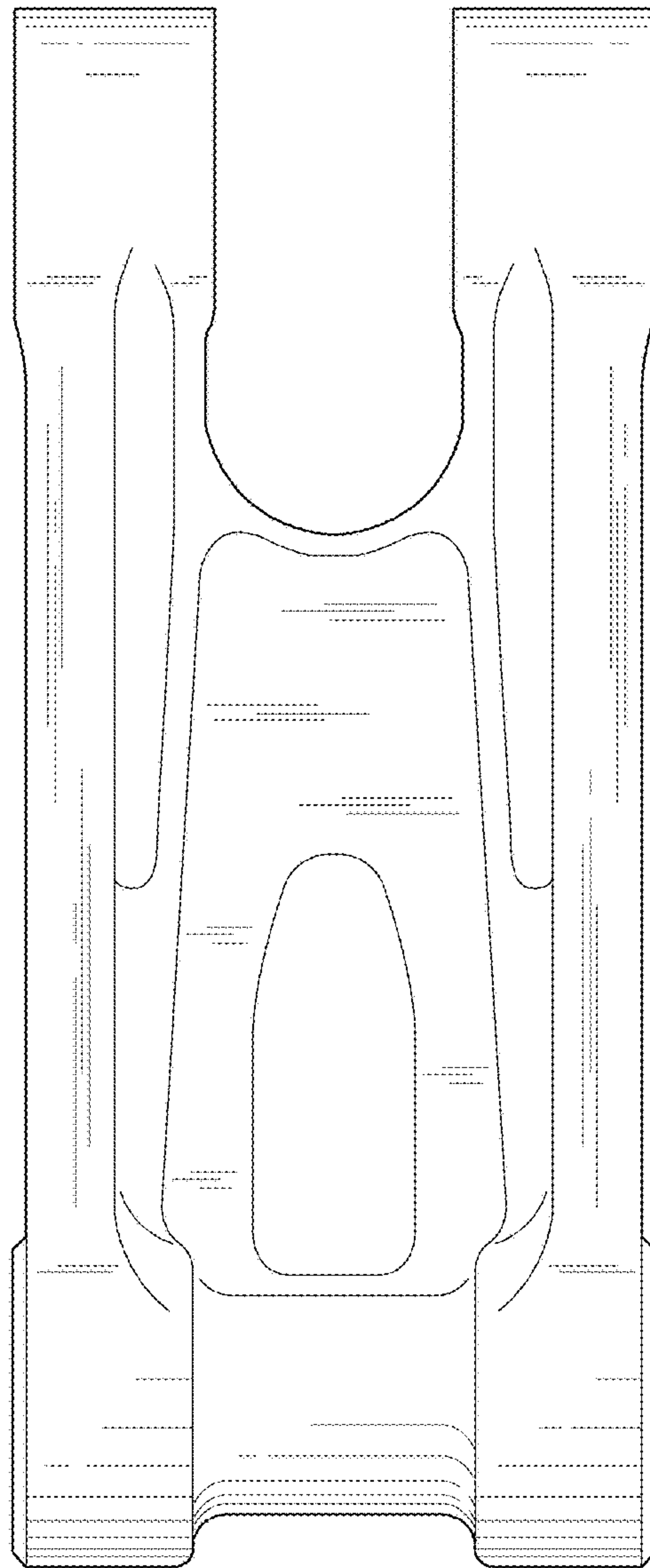


FIG. 4

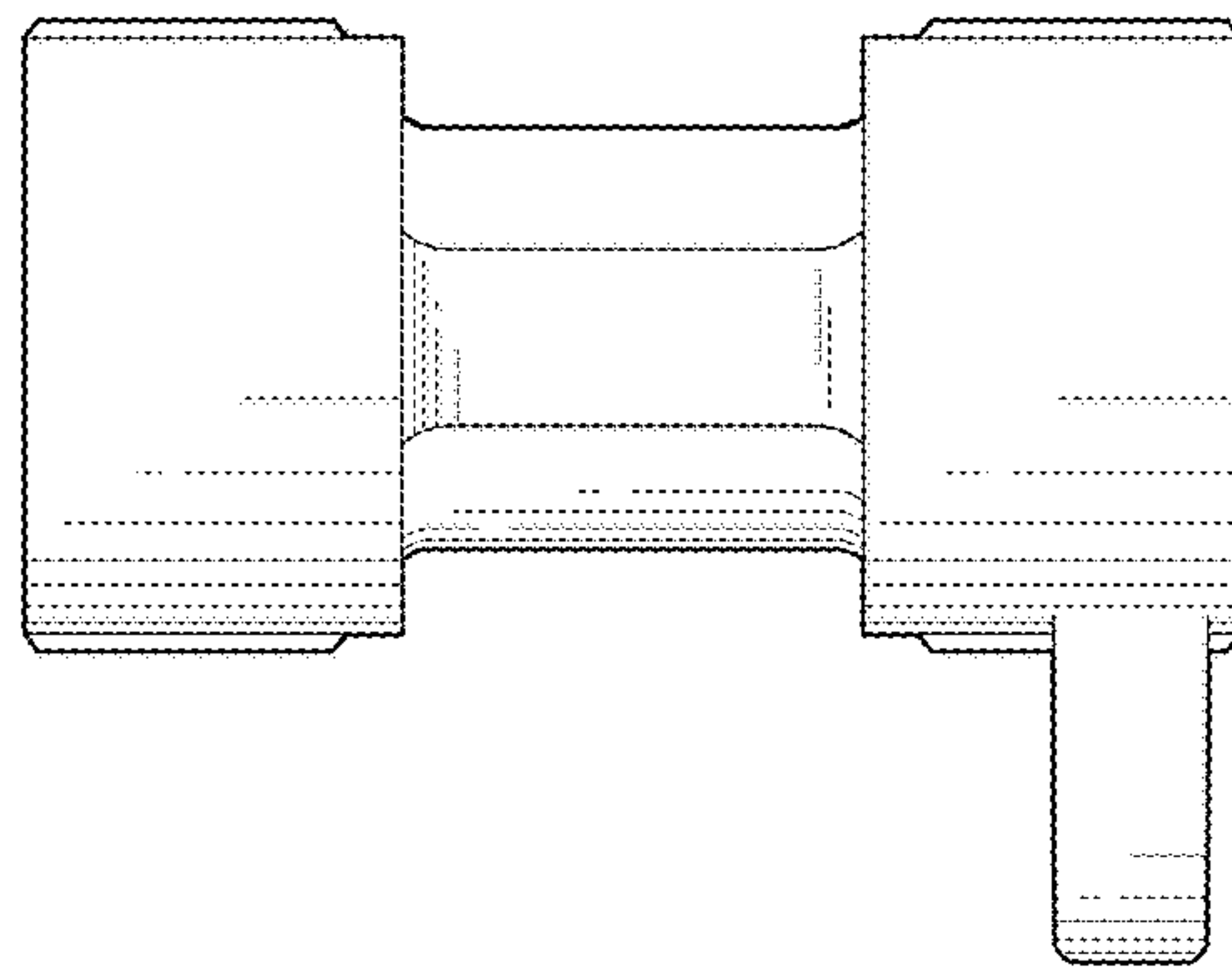


FIG. 5

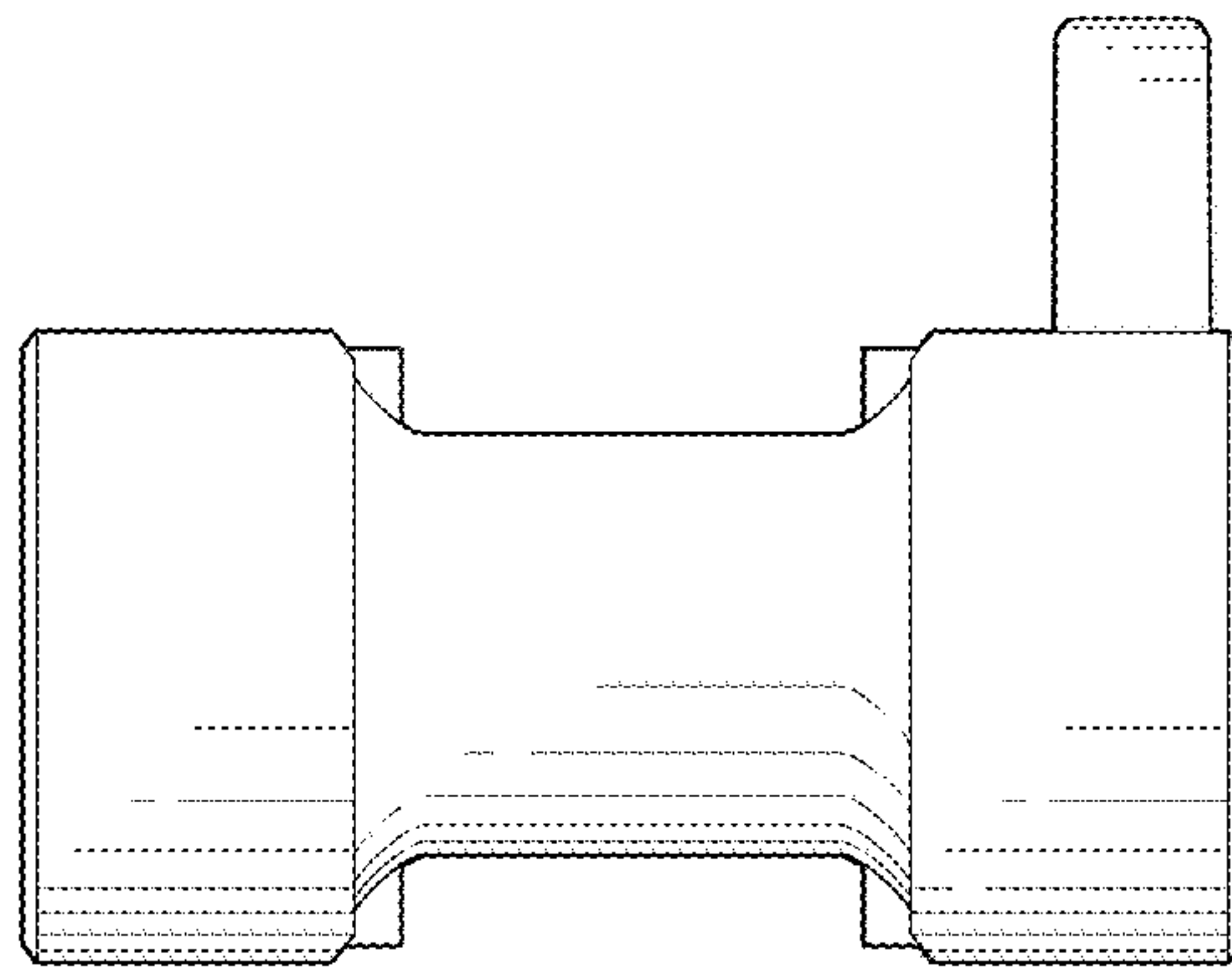


FIG. 6

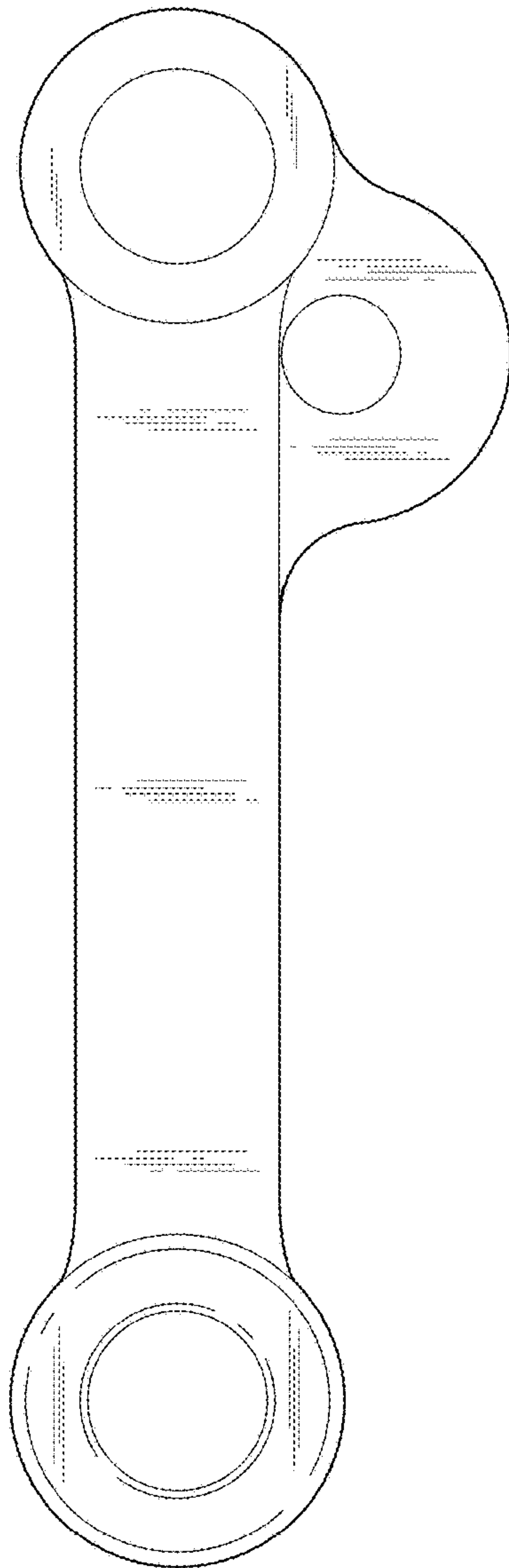


FIG. 7

