



US00D850492S

(12) **United States Design Patent**
Cohen

(10) **Patent No.:** **US D850,492 S**
(45) **Date of Patent:** **** Jun. 4, 2019**

(54) **SNOW THROWER BATTERY HOUSING**

(71) Applicant: **Snow Joe, LLC**, Edison, NJ (US)

(72) Inventor: **Joseph Cohen**, Edison, NJ (US)

(**) Term: **15 Years**

(21) Appl. No.: **29/654,815**

(22) Filed: **Jun. 27, 2018**

Related U.S. Application Data

(62) Division of application No. 29/542,154, filed on Oct. 12, 2015, now Pat. No. Des. 824,427, which is a division of application No. 29/459,769, filed on Jul. 3, 2013, now Pat. No. Des. 743,445.

(51) **LOC (11) Cl.** **15-03**

(52) **U.S. Cl.**
USPC **D15/12**

(58) **Field of Classification Search**
USPC D15/10, 11, 12; 172/699
CPC .. E01H 6/00; E01H 1/00; E01H 1/056; E01H 1/05; E01H 1/0809; E01H 5/098; E01H 5/045; E01H 5/061; E01H 5/10; E01H 5/04; E01H 5/09; E01H 5/06; E01H 5/066; E01H 5/02; E01H 5/065; E01H 5/062; E01H 5/063; E01H 5/067
See application file for complete search history.

(56) **References Cited**

U.S. PATENT DOCUMENTS

D251,786 S *	5/1979	Wildgen	D15/12
D262,797 S *	1/1982	Arthur	D15/12
D270,057 S *	8/1983	Nakamura	D15/12
D305,125 S *	12/1989	Hinklin	D15/11
D320,993 S *	10/1991	Pink	D15/12
D326,457 S *	5/1992	Pink	D15/11
5,398,431 A *	3/1995	Beihoffer	E01H 5/04 37/247

5,758,436 A *	6/1998	Harms	E01H 5/04 37/249
6,170,179 B1 *	1/2001	Paytas	E01H 5/045 180/68.5
D448,389 S *	9/2001	Katoh	D15/12
6,952,893 B1 *	10/2005	Sanderson	E01H 5/045 37/261
D603,428 S *	11/2009	Tashiro	D15/12
D642,596 S *	8/2011	Hinklin	D15/12
D675,232 S *	1/2013	Martin	D15/12
D676,876 S *	2/2013	Martin	D15/11
D705,272 S *	5/2014	Cmich	D15/11
D743,445 S *	11/2015	Cohen	D15/12
D786,940 S *	5/2017	Dretzka	D15/11

(Continued)

Primary Examiner — Mark A Goodwin

(74) *Attorney, Agent, or Firm* — Seyfarth Shaw LLP

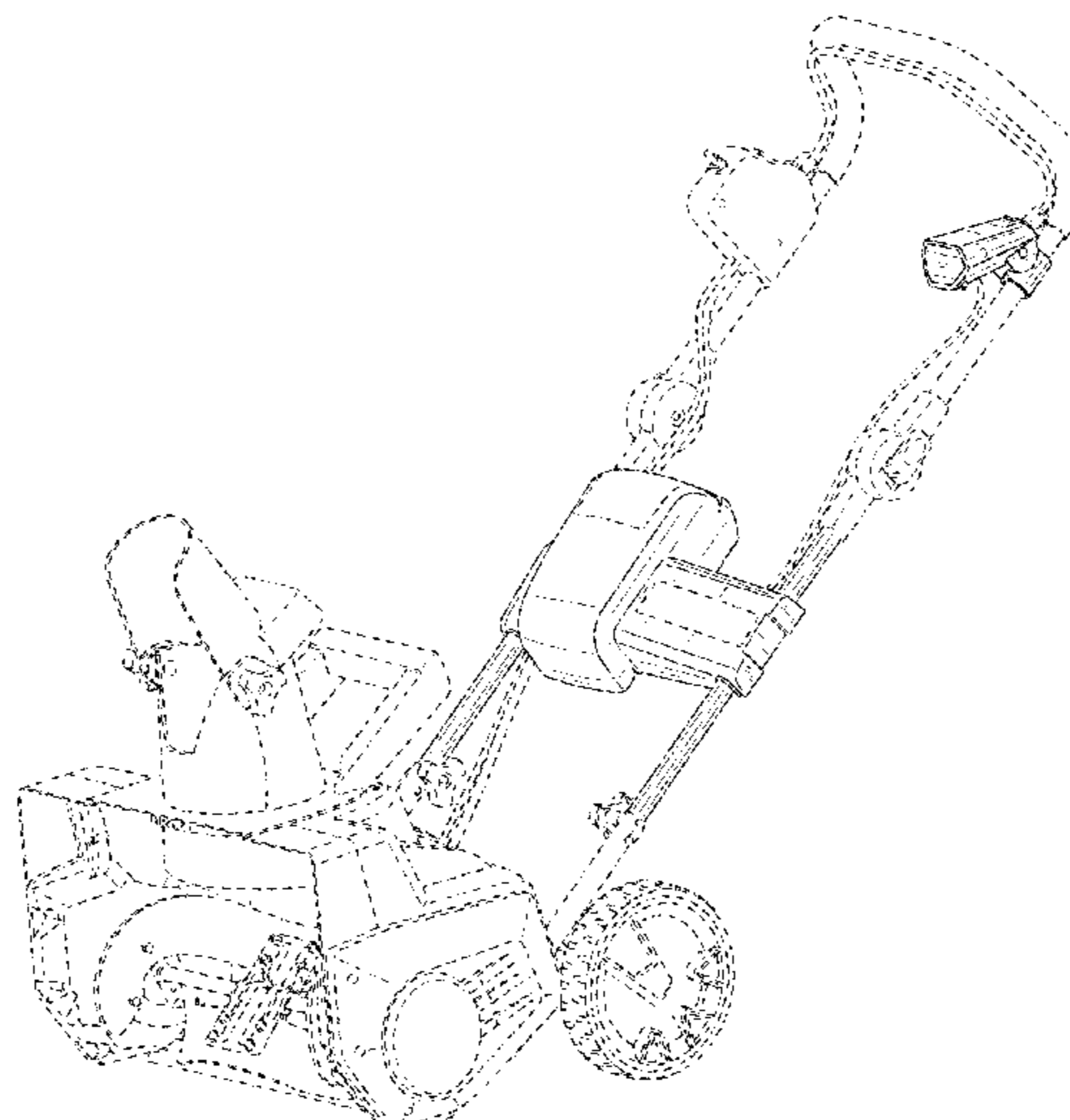
(57) **CLAIM**

The ornamental design for a snow thrower battery housing, as shown and described.

DESCRIPTION

FIG. 1 is a perspective view of a snow thrower battery housing showing my new design, FIG. 2 is a front elevation view of the embodiment of FIG. 1; FIG. 3 is a rear elevation view of the embodiment of FIG. 1; FIG. 4 is a side elevation view of the embodiment of FIG. 1; FIG. 5 is the other side elevation view of the embodiment of FIG. 1; FIG. 6 is a top plan view of the embodiment of FIG. 1; and, FIG. 7 is a bottom plan view of the embodiment of FIG. 1. The broken lines shown in the figures are included for the purpose of illustrating environment and form no part of the claimed design.

1 Claim, 7 Drawing Sheets



(56)

References Cited

U.S. PATENT DOCUMENTS

9,863,107	B2 *	1/2018	Friberg	E01H 6/00
D824,427	S *	7/2018	Cohen	D15/12
2002/0020083	A1 *	2/2002	White, III	E01H 5/062
				37/244
2011/0094129	A1 *	4/2011	Rowe	E01H 5/045
				37/246
2015/0007462	A1 *	1/2015	Cohen	E01H 5/045
				37/242

* cited by examiner

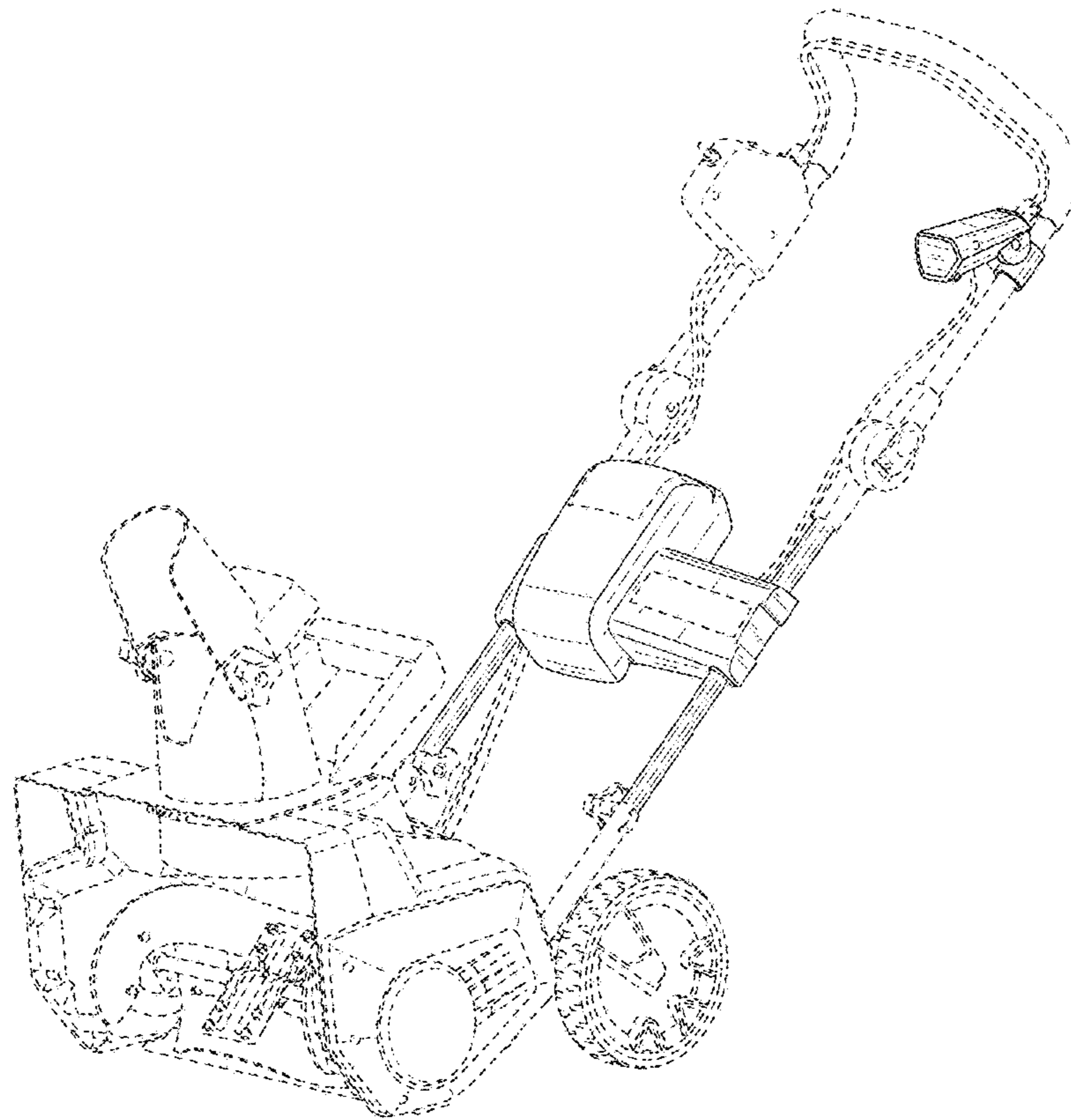


FIG. 1

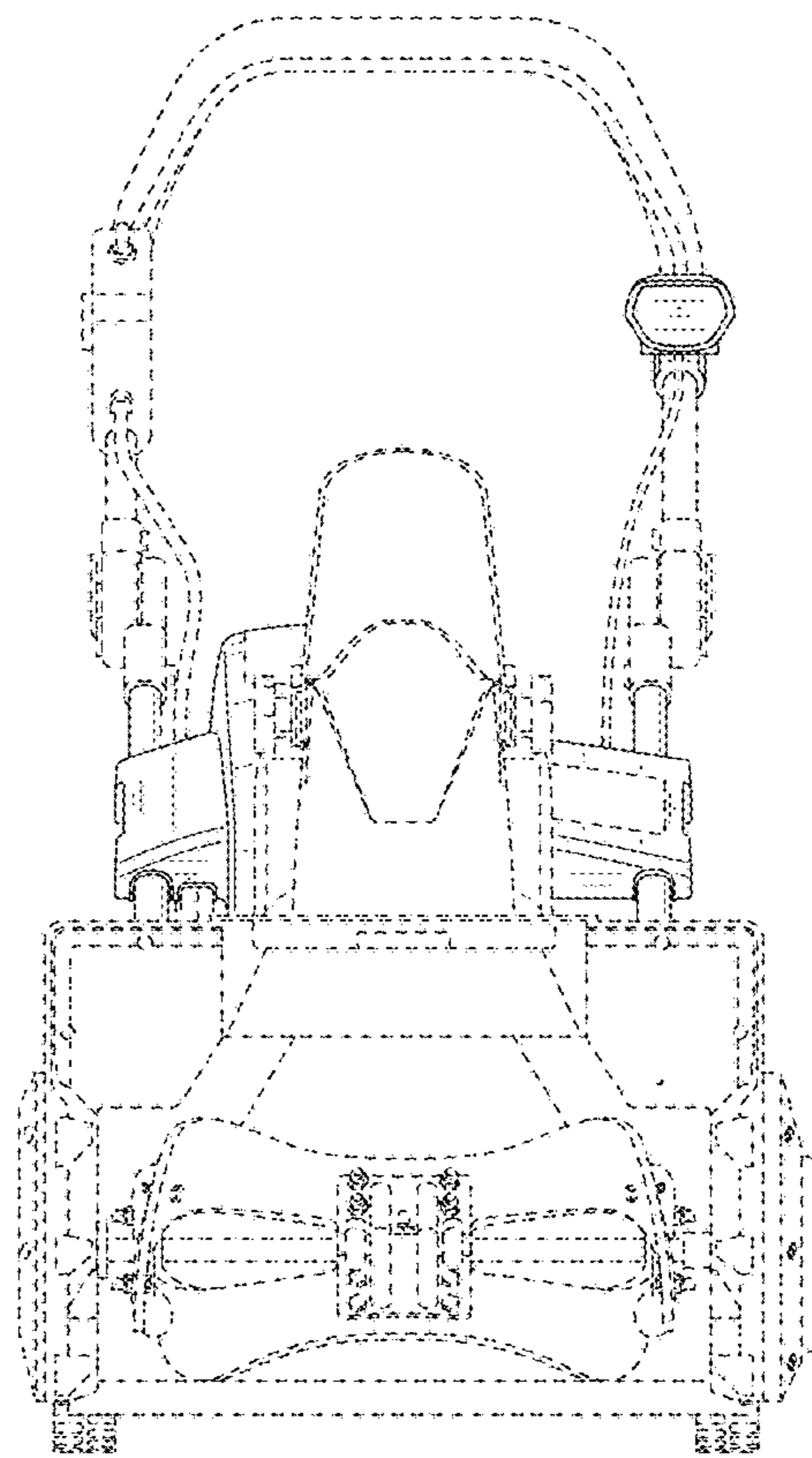


FIG. 2

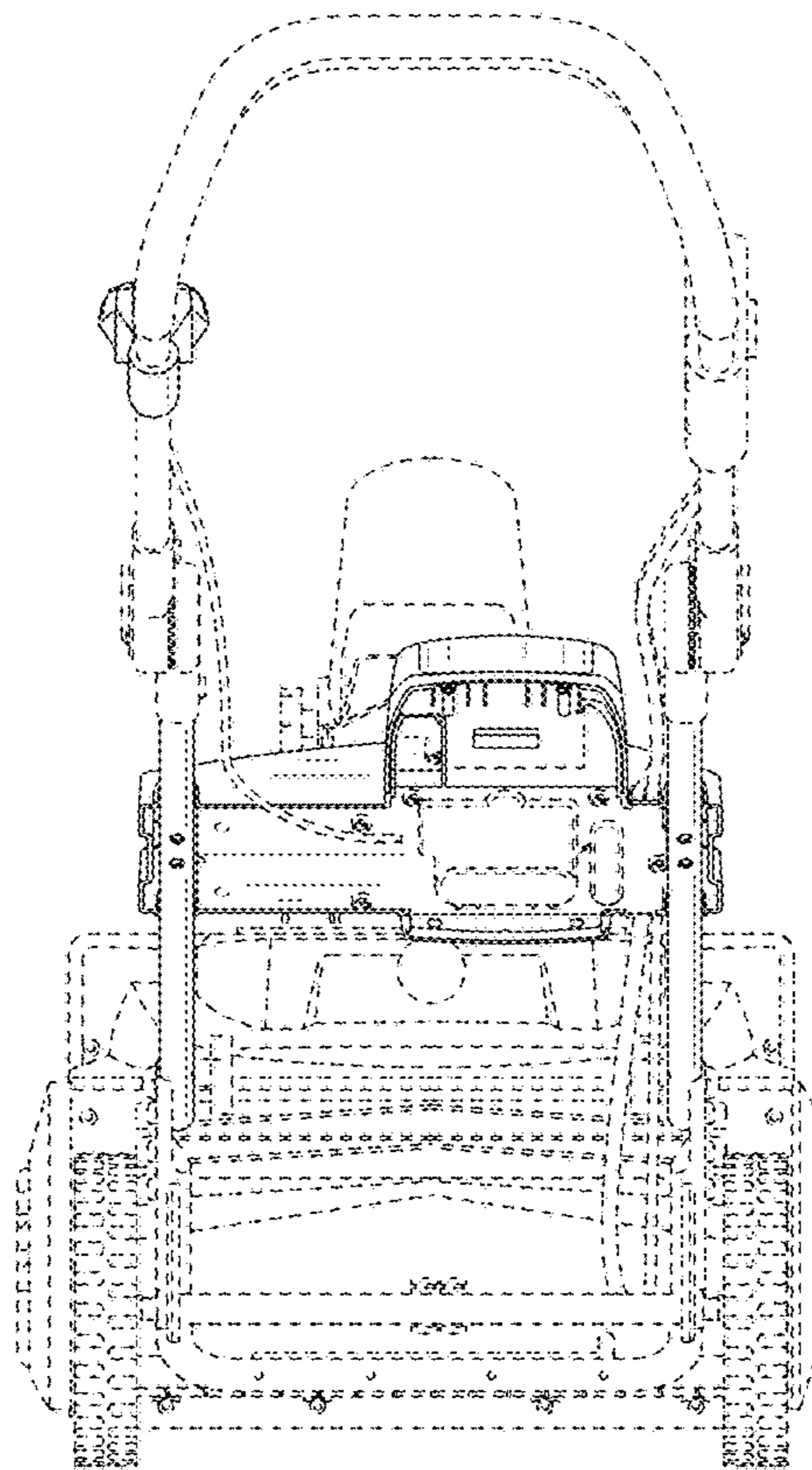


FIG. 3

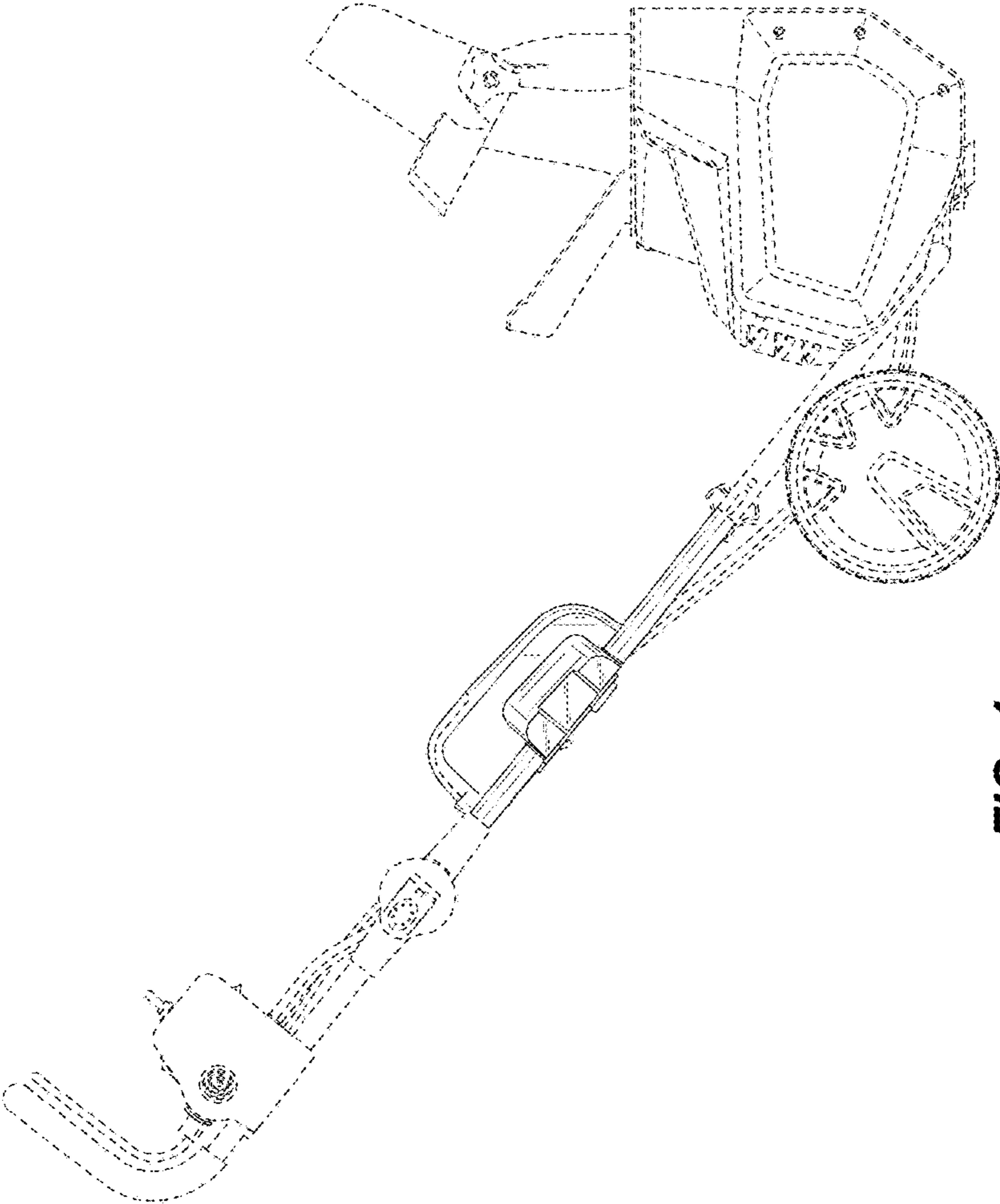


FIG. 4

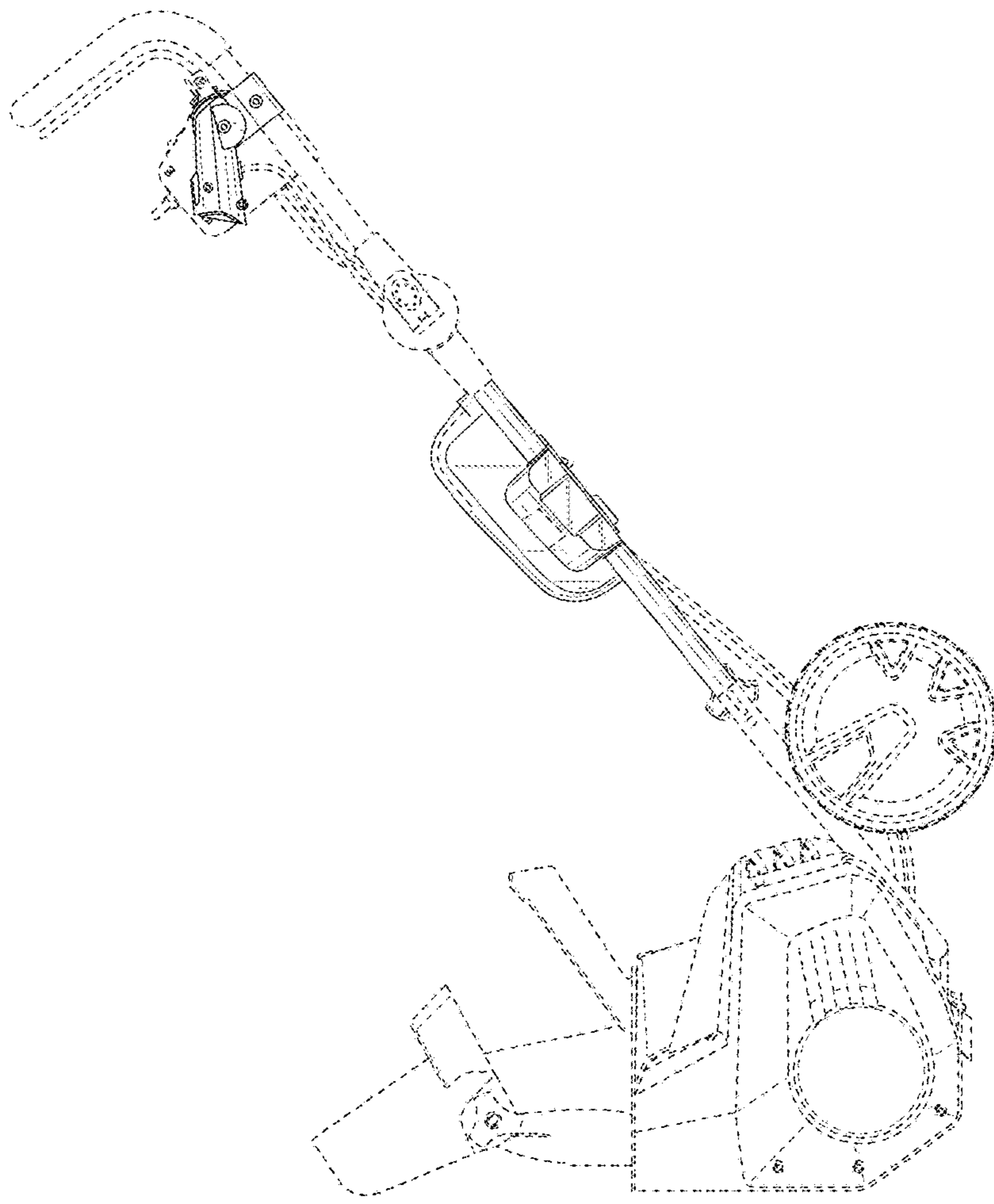


FIG. 5

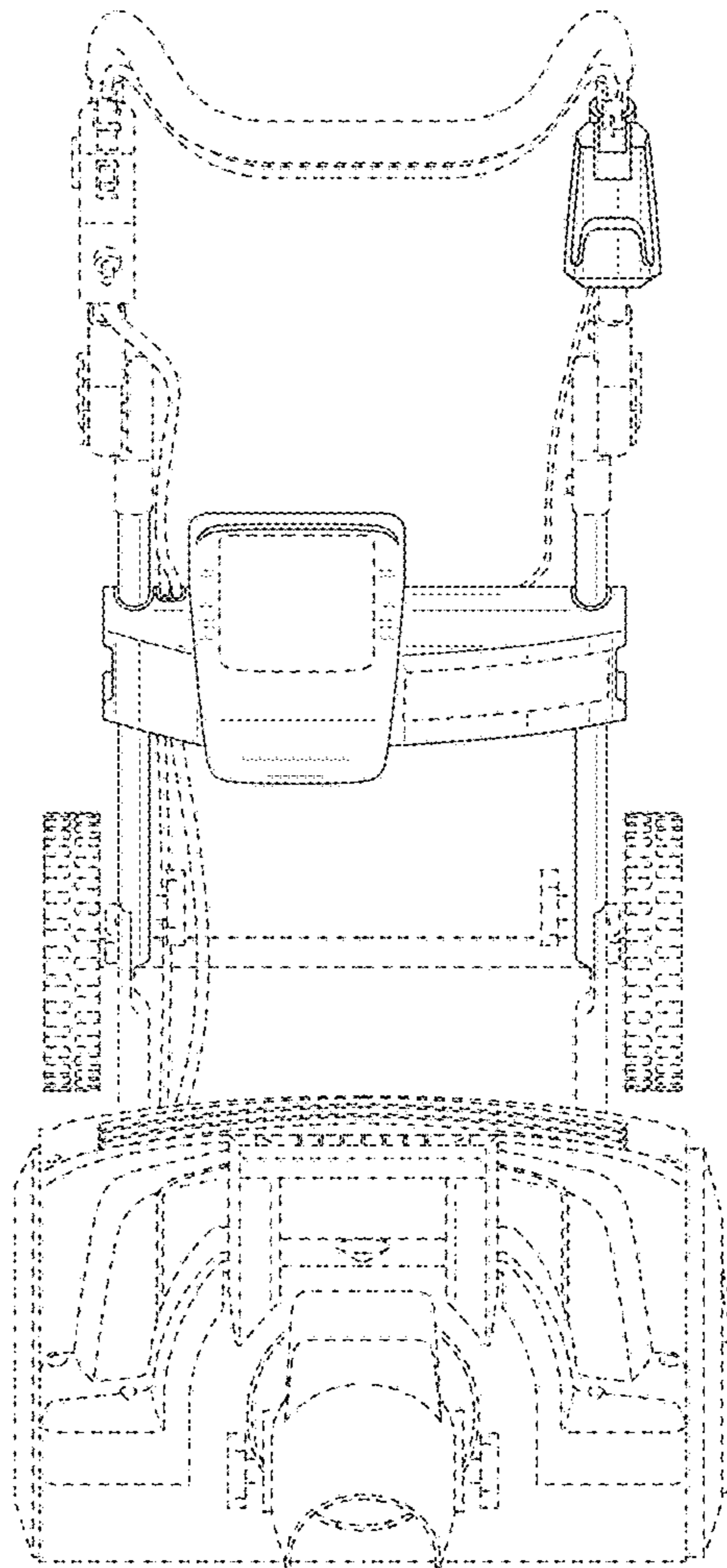


FIG. 6

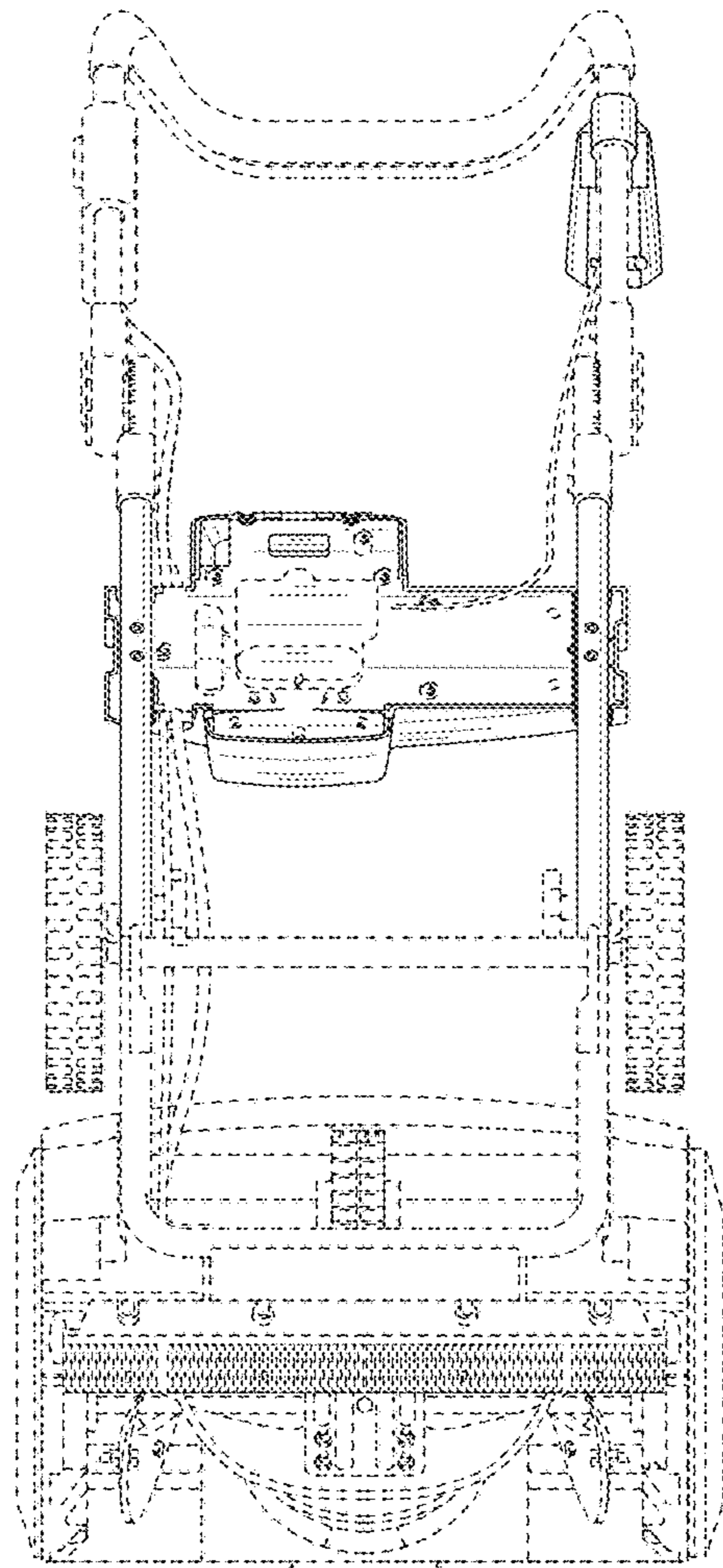


FIG. 7

UNITED STATES PATENT AND TRADEMARK OFFICE
CERTIFICATE OF CORRECTION

PATENT NO. : D850,492 S
APPLICATION NO. : 29/654815
DATED : June 4, 2019
INVENTOR(S) : Joseph Cohen

Page 1 of 1

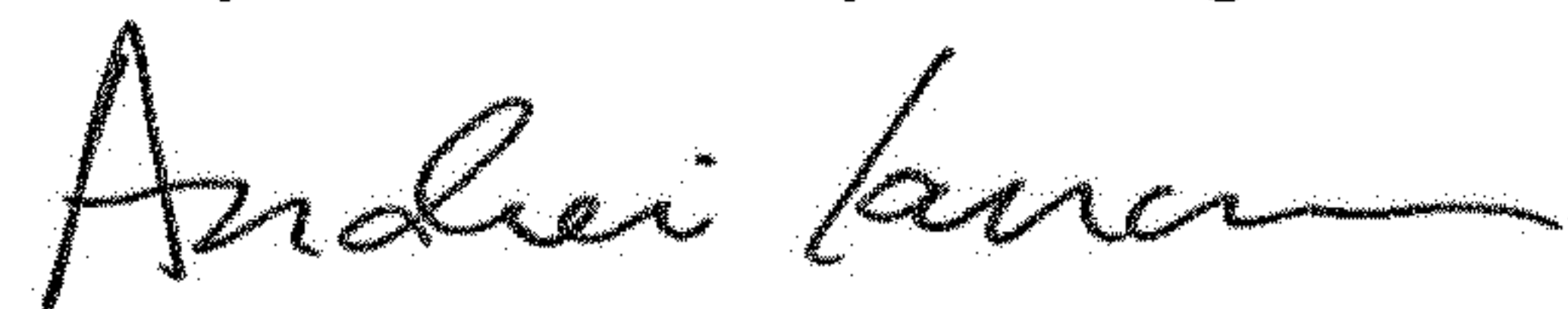
It is certified that error appears in the above-identified patent and that said Letters Patent is hereby corrected as shown below:

On the Title Page

Column 2, Line 21 Under Description, FIG. 1 should be described as follows:

FIG. 1 is a perspective view of a snow thrower battery housing and light showing my new design.

Signed and Sealed this
Twenty-seventh Day of August, 2019



Andrei Iancu
Director of the United States Patent and Trademark Office