



US00D850490S

(12) **United States Design Patent**  
**Janardhan et al.**

(10) **Patent No.:** **US D850,490 S**  
(45) **Date of Patent:** **\*\* Jun. 4, 2019**

(54) **PUMP**

(71) Applicant: **Insera Therapeutics, Inc.**, Sacramento, CA (US)

(72) Inventors: **Vallabh Janardhan**, Dallas, TX (US);  
**Vikram Janardhan**, Sacramento, CA (US)

(73) Assignee: **Insera Therapeutics, Inc.**, Sacramento, CA (US)

(\*\*) Term: **15 Years**

(21) Appl. No.: **29/678,622**

(22) Filed: **Jan. 30, 2019**

**Related U.S. Application Data**

(62) Division of application No. 29/634,405, filed on Jan. 22, 2018.

(51) **LOC (11) Cl.** ..... **15-02**

(52) **U.S. Cl.**  
USPC ..... **D15/7**

(58) **Field of Classification Search**  
USPC ..... D15/7-9; D23/225, 231, 232  
CPC ..... F02M 37/04; F02M 37/14; F04B 53/92;  
F04B 1/005; F04D 13/06; F04D 29/22;  
F04D 29/046; F04D 29/2266  
See application file for complete search history.

(56) **References Cited**

**U.S. PATENT DOCUMENTS**

4,930,997 A 6/1990 Bennett  
D333,664 S \* 3/1993 Carroll ..... D15/7  
5,419,774 A 5/1995 Willard et al.  
5,622,867 A 4/1997 Livesey et al.  
5,827,229 A 10/1998 Auth et al.  
5,919,614 A 7/1999 Livesey et al.

D413,123 S \* 8/1999 Leonhard ..... D15/7  
6,022,747 A 2/2000 Gherson et al.  
6,062,215 A 5/2000 Leininger et al.  
6,071,267 A 6/2000 Zamierowski  
6,115,860 A 9/2000 Vralik  
6,145,143 A 11/2000 Hicks et al.  
6,163,908 A 12/2000 Vralik

(Continued)

**FOREIGN PATENT DOCUMENTS**

EP 0 777 504 10/1998  
EP 0 853 950 10/2002

(Continued)

**OTHER PUBLICATIONS**

Neale, "Medtronic's Riptide System Cleared for Thrombus Aspiration in Acute Stroke", tctMD / the heart beat, Jan. 16, 2018.

(Continued)

*Primary Examiner* — Khawaja Anwar

(74) *Attorney, Agent, or Firm* — Knobbe Martens Olson & Bear, LLP

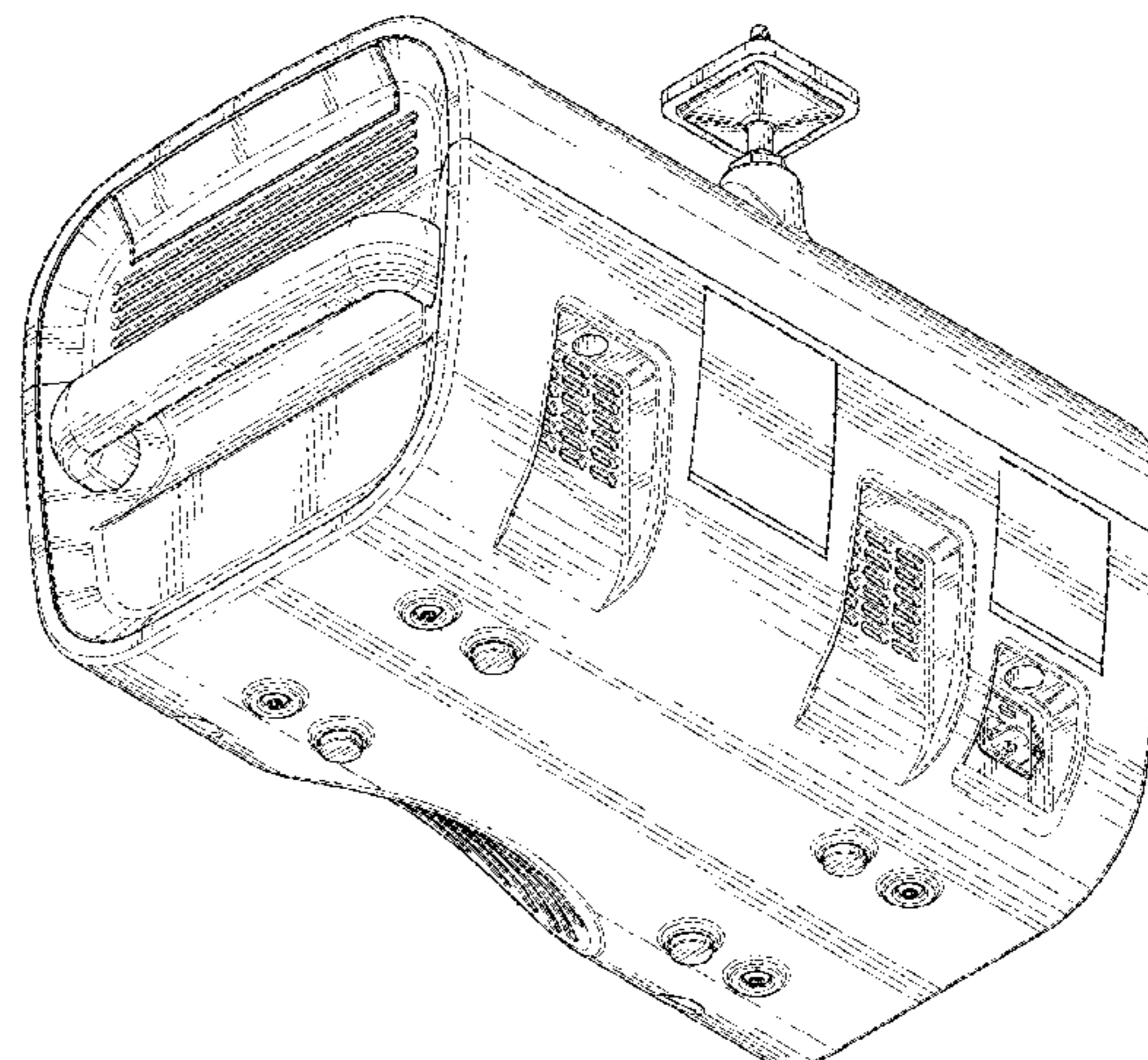
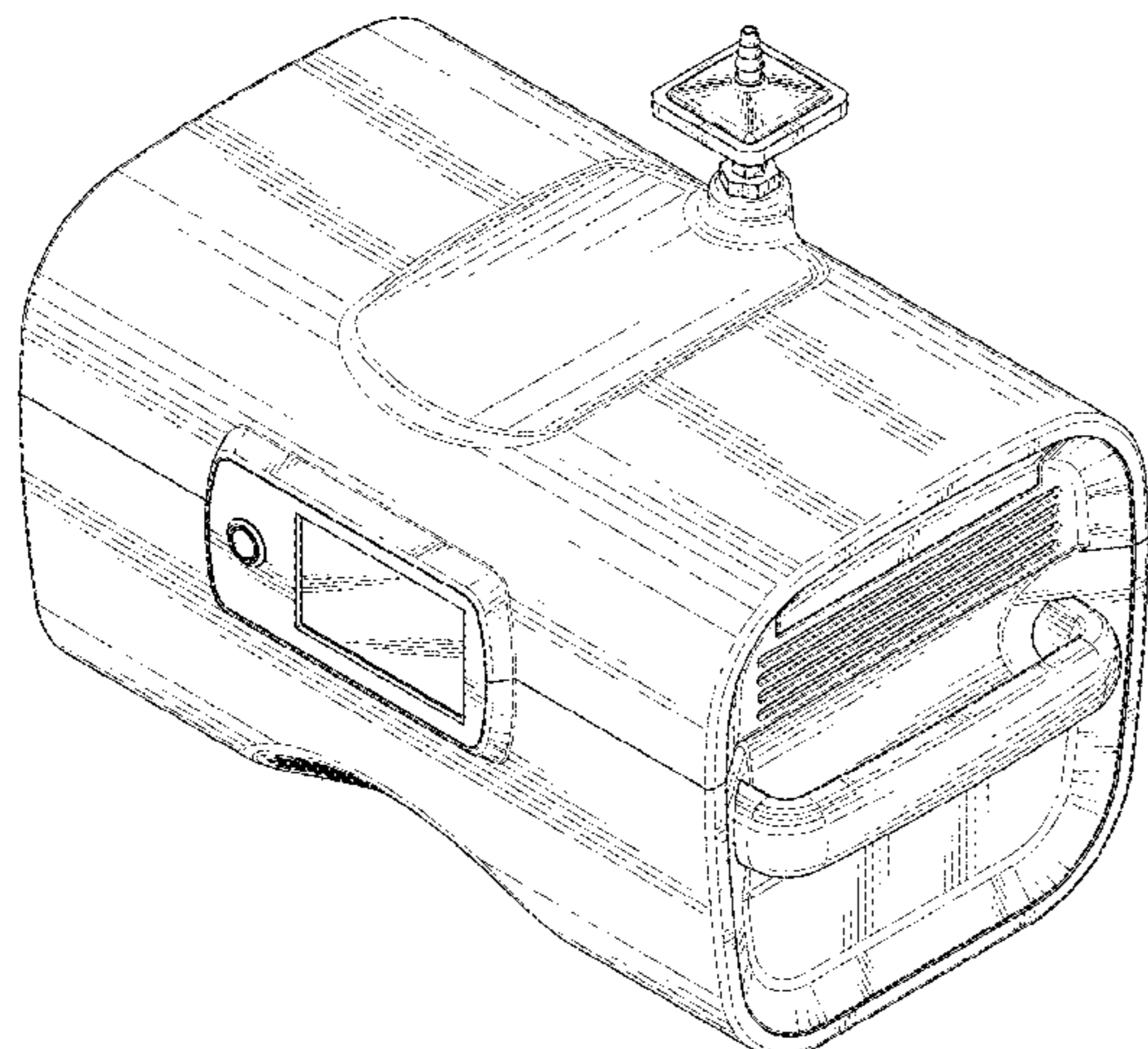
(57) **CLAIM**

The ornamental design for a pump, as shown and described.

**DESCRIPTION**

FIG. 1 is a front, left, and top perspective view of a pump; FIG. 2 is a back, right, and bottom perspective view of the pump of FIG. 1; FIG. 3 is a front elevational view of the pump of FIG. 1; FIG. 4 is a back elevational view of the pump of FIG. 1; FIG. 5 is a top plan view of the pump of FIG. 1; FIG. 6 is a bottom plan view of the pump of FIG. 1; FIG. 7 is a right elevational view of the pump of FIG. 1; and, FIG. 8 is a left elevational view of the pump of FIG. 1.

**1 Claim, 7 Drawing Sheets**



(56)

References Cited

U.S. PATENT DOCUMENTS

6,183,488 B1	2/2001	Ross et al.	9,445,831 B2	9/2016	Mark
6,221,669 B1	4/2001	Livesey et al.	9,446,189 B2	9/2016	Rimsa et al.
D445,804 S *	7/2001	Tsai ..... D15/7	9,526,865 B2	12/2016	Quick
6,306,163 B1	10/2001	Fitz	9,532,792 B2	1/2017	Galdonik et al.
6,353,950 B1	3/2002	Bartlett et al.	9,532,863 B2	1/2017	Hayzlett
6,358,260 B1	3/2002	Ross et al.	9,549,805 B2	1/2017	Hayzlett et al.
6,387,065 B1	5/2002	Tumey	9,554,805 B2	1/2017	Tompkins et al.
6,425,905 B1	7/2002	Guimaraes et al.	9,561,129 B2	2/2017	Ross et al.
6,468,237 B1	10/2002	Lina	9,566,089 B2	2/2017	Webb X et al.
6,517,513 B1	2/2003	Covington et al.	9,594,004 B2	3/2017	Fry et al.
6,547,756 B1	4/2003	Greter et al.	9,615,832 B2	4/2017	Bose et al.
6,663,644 B1	12/2003	Ross et al.	9,615,951 B2	4/2017	Bennett et al.
6,673,028 B1	1/2004	Argenta et al.	D785,679 S *	5/2017	Hartung ..... D15/7
6,827,701 B2	12/2004	MacMahon et al.	D786,939 S *	5/2017	Nelson ..... D15/7
6,904,631 B2	6/2005	Vralik et al.	9,655,633 B2	5/2017	Leynov et al.
7,004,915 B2	2/2006	Boynton et al.	9,662,129 B2	5/2017	Galdonik et al.
D520,023 S *	5/2006	Goto ..... D15/7	9,675,358 B2	6/2017	Wagner et al.
7,108,683 B2	9/2006	Zamierowski	D795,420 S	8/2017	Rimsa et al.
7,144,390 B1	12/2006	Hannigan et al.	9,737,455 B2	8/2017	Argenta et al.
7,198,046 B1	4/2007	Argenta et al.	9,775,621 B2	10/2017	Tompkins et al.
7,216,651 B2	5/2007	Argenta et al.	D810,145 S *	2/2018	Sinico ..... D15/7
7,276,052 B2	10/2007	Kobayashi et al.	9,883,854 B2	2/2018	Mak
7,300,429 B2	11/2007	Fitzgerald et al.	9,883,877 B2	2/2018	Look
7,311,700 B2	12/2007	Guimaraes et al.	9,913,705 B2	3/2018	Hayzlett et al.
D573,609 S *	7/2008	Bilger ..... D15/7	9,913,936 B2	3/2018	Look et al.
7,410,491 B2	8/2008	Hopkins et al.	9,915,674 B2	3/2018	Zordan
7,410,602 B2	8/2008	Davey et al.	9,943,321 B2	4/2018	Nita
7,514,075 B2	4/2009	Hedrick et al.	9,999,710 B2	6/2018	Ross et al.
D604,746 S *	11/2009	Nishido ..... D15/7	D822,718 S *	7/2018	Hartung ..... D15/7
7,645,291 B2	1/2010	Ross et al.	10,022,214 B2	7/2018	Hayzlett
7,658,746 B2	2/2010	Ross et al.	D826,282 S *	8/2018	Mead ..... D15/7
7,666,161 B2	2/2010	Nash et al.	D826,283 S *	8/2018	Mead ..... D15/7
7,717,853 B2	5/2010	Nita	10,058,339 B2	8/2018	Galdonik et al.
7,918,822 B2	4/2011	Kumar et al.	10,076,318 B2	9/2018	Argenta et al.
7,931,651 B2	4/2011	Webb X et al.	D838,746 S *	1/2019	Gan ..... D15/7
7,931,659 B2	4/2011	Bose et al.	D838,747 S *	1/2019	Gan ..... D15/7
8,070,735 B2	12/2011	Koch et al.	2003/0004537 A1	1/2003	Boyle et al.
8,070,764 B2	12/2011	Ross et al.	2003/0069549 A1	4/2003	MacMahon et al.
8,070,791 B2	12/2011	Ferrera et al.	2003/0139255 A1	7/2003	Lina
8,105,580 B2	1/2012	Fraser et al.	2005/0085769 A1	4/2005	MacMahon et al.
8,163,276 B2	4/2012	Hedrick et al.	2005/0124969 A1	6/2005	Fitzgerald et al.
8,235,955 B2	8/2012	Blott et al.	2006/0058837 A1	3/2006	Bose et al.
8,267,960 B2	9/2012	Argenta et al.	2007/0038100 A1	2/2007	Nita
8,333,796 B2	12/2012	Tompkins et al.	2007/0129652 A1	6/2007	Nita
8,366,620 B2	2/2013	Nita	2007/0135832 A1	6/2007	Wholey et al.
8,366,735 B2	2/2013	Bose et al.	2007/0239261 A1	10/2007	Bose et al.
8,377,016 B2	2/2013	Argenta et al.	2008/0015478 A1	1/2008	Bose
8,425,549 B2	4/2013	Lenker et al.	2008/0051708 A1	2/2008	Kumar et al.
8,454,603 B2	6/2013	Webb X et al.	2008/0147110 A1	6/2008	Wijeratne
8,460,312 B2	6/2013	Bose et al.	2008/0319355 A1	12/2008	Nita
8,465,467 B2	6/2013	Gao X	2009/0030400 A1	1/2009	Bose et al.
8,591,453 B2	11/2013	Stubkjaer et al.	2009/0318892 A1	12/2009	Aboytes et al.
8,632,498 B2	1/2014	Rimsa et al.	2010/0114017 A1	5/2010	Lenker et al.
8,758,315 B2	6/2014	Chen et al.	2010/0191178 A1	7/2010	Ross et al.
D710,003 S	7/2014	Rimsa et al.	2010/0204672 A1	8/2010	Lockhart et al.
8,764,794 B2	7/2014	Argenta et al.	2010/0217276 A1	8/2010	Garrison et al.
8,795,244 B2	8/2014	Randolph et al.	2010/0280434 A1	11/2010	Raney et al.
D712,933 S *	9/2014	DeOreo ..... D15/7	2011/0160621 A1	6/2011	Nita
8,834,520 B2	9/2014	Argenta et al.	2011/0160761 A1	6/2011	Ferrera et al.
8,911,487 B2	12/2014	Bennett et al.	2011/0184454 A1	7/2011	Barry et al.
8,920,402 B2	12/2014	Nash et al.	2011/0264133 A1	10/2011	Hanlon et al.
8,932,320 B1	1/2015	Janardhan et al.	2011/0313328 A1	12/2011	Nita
8,932,321 B1	1/2015	Janardhan et al.	2011/0319927 A1	12/2011	Nita
9,023,273 B2	5/2015	Kibalo	2012/0078140 A1	3/2012	Nita
9,050,136 B2	6/2015	Webb X et al.	2012/0078285 A1	3/2012	Griffin
D737,431 S	8/2015	Rimsa et al.	2012/0150147 A1	6/2012	Leynov et al.
9,095,326 B2	8/2015	Ritchie et al.	2012/0310367 A1	12/2012	Connor
9,119,656 B2	9/2015	Bose et al.	2012/0330196 A1	12/2012	Nita
9,125,731 B2	9/2015	Ross et al.	2013/0121970 A1	5/2013	Owens et al.
9,186,151 B2	11/2015	Tompkins et al.	2013/0201316 A1	8/2013	Binder et al.
9,289,193 B2	3/2016	Argenta et al.	2014/0128907 A1	5/2014	Hui et al.
9,314,568 B2	4/2016	Gurtner et al.	2014/0180377 A1	6/2014	Bose et al.
9,333,024 B2	5/2016	Woloszko et al.	2014/0276897 A1	9/2014	Rockley et al.
9,370,611 B2	6/2016	Ross et al.	2015/0032120 A1	1/2015	Janardhan et al.
9,375,513 B2	6/2016	Sun et al.	2015/0032121 A1	1/2015	Janardhan et al.
			2015/0196304 A1	7/2015	Rabkin et al.
			2015/0202338 A1	7/2015	Kibalo
			2015/0320911 A1	11/2015	Sun et al.
			2015/0359666 A1	12/2015	Zacharias

(56)

## References Cited

## U.S. PATENT DOCUMENTS

2016/0058614 A1 3/2016 Ross et al.  
 2016/0128869 A1 5/2016 Zacharias  
 2016/0166265 A1 6/2016 Nita  
 2016/0166352 A1 6/2016 Rimsa et al.  
 2016/0193429 A1 7/2016 Gurtner et al.  
 2016/0244722 A1 8/2016 Wang et al.  
 2016/0271295 A1 9/2016 Sun et al.  
 2017/0021072 A1 1/2017 Forsell  
 2017/0105743 A1 4/2017 Vale et al.  
 2017/0112562 A1 4/2017 Woloszko et al.  
 2017/0112981 A1 4/2017 Friedman et al.  
 2017/0147765 A1 5/2017 Mehta  
 2017/0151032 A1 6/2017 Loisel  
 2017/0172581 A1 6/2017 Bose et al.  
 2017/0173227 A1 6/2017 Jessop et al.  
 2017/0212014 A1 7/2017 Fry et al.  
 2017/0215902 A1 8/2017 Leynov et al.  
 2017/0296422 A1 10/2017 Park et al.  
 2017/0340797 A1 11/2017 Raman et al.  
 2017/0360450 A1 12/2017 Tompkins et al.  
 2017/0367857 A1 12/2017 Bennett et al.  
 2018/0000510 A1 1/2018 Nash et al.  
 2018/0057787 A1 3/2018 Friedman et al.  
 2018/0085136 A1 3/2018 Janardhan et al.  
 2018/0153675 A1 6/2018 Hayzlett et al.  
 2018/0153760 A1 6/2018 Rosen et al.  
 2018/0185130 A1 7/2018 Janardhan et al.  
 2018/0197633 A1 7/2018 Mehta  
 2018/0228502 A1 8/2018 Shaffer et al.  
 2018/0242989 A1 8/2018 Nita  
 2018/0263642 A1 9/2018 Nita  
 2018/0263646 A1 9/2018 Loisel  
 2018/0296317 A1 10/2018 Hayzlett et al.  
 2018/0303498 A1 10/2018 Galdonik et al.  
 2018/0338770 A1 11/2018 Mogi et al.  
 2018/0339130 A1 11/2018 Ogle  
 2018/0353194 A1 12/2018 Shaffer et al.  
 2018/0353644 A1 12/2018 Sun et al.  
 2018/0368965 A1 12/2018 Janardhan et al.  
 2019/0008626 A1 1/2019 Janardhan et al.  
 2019/0008627 A1 1/2019 Janardhan et al.

## FOREIGN PATENT DOCUMENTS

WO WO 2012/057881 5/2012  
 WO WO 2014/151209 9/2014  
 WO WO 2015/157330 10/2015  
 WO WO 2016/018448 2/2016  
 WO WO 2017/142874 8/2017

## OTHER PUBLICATIONS

Penumbra System, Science of Aspiration The Penumbra System Approach, 2016.

Powerex, "Medical Dry Rotary Vane Vacuum", Retrieved from the internet Mar. 27, 2017, <URL: [http://www.powerexinc.com/article/image\\_182000000000197](http://www.powerexinc.com/article/image_182000000000197)>.

Simon et al., "Exploring the efficacy of cyclic vs static aspiration in a cerebral thrombectomy model: an initial proof of concepts study", *J NeuroIntervent Surg.*, 2014, vol. 6, pp. 677-683.

U.S. Appl. No. 11/859,272, filed Sep. 21, 2007, Distal Embolic Protection Devices and Methods for Their Use, U.S. Patent No. 9,034,007, May 19, 2015.

U.S. Appl. No. 13/952,982, filed Jul. 29, 2013, Shape-Set Textile Structure Based Mechanical Thrombectomy Methods, U.S. Pat. No. 8,679,150, Mar. 25, 2014.

U.S. Appl. No. 14/012,161, filed Aug. 28, 2013, Shape-Set Textile Structure Based Mechanical Thrombectomy Systems, U.S. Pat. No. 9,179,931, Nov. 10, 2015.

U.S. Appl. No. 14/926,636, filed Oct. 29, 2015, Shape-Set Textile Structure Based Mechanical Thrombectomy Systems, U.S. Pat. No. 9,750,524, Sep. 5, 2017.

U.S. Appl. No. 13/953,556, filed Jul. 29, 2013, Vascular Treatment Methods, U.S. Pat. No. 8,690,907, Apr. 8, 2014.

U.S. Appl. No. 13/953,681, filed Jul. 29, 2013, Vascular Treatment Systems, U.S. Pat. No. 8,715,315, May 6, 2014.

U.S. Appl. No. 14/012,474, filed Aug. 28, 2013, Woven Vascular Treatment Devices, U.S. Pat. No. 8,747,432, Jun. 10, 2014.

U.S. Appl. No. 14/012,481, filed Aug. 28, 2013, Slotted Vascular Treatment Devices, U.S. Pat. No. 8,721,676, May 13, 2014.

U.S. Appl. No. 14/012,348, filed Aug. 28, 2013, Methods of Manufacturing Vascular Treatment Devices, U.S. Pat. No. 8,783,151, Jul. 22, 2014.

U.S. Appl. No. 14/167,132, filed Jan. 29, 2014, Methods of Cutting Tubular Devices, U.S. Pat. No. 8,895,891, Nov. 25, 2014.

U.S. Appl. No. 14/088,797, filed Nov. 25, 2013, Woven Vascular Treatment Systems, U.S. Pat. No. 8,753,371, Jun. 17, 2014.

U.S. Appl. No. 14/551,337, filed Nov. 24, 2014, Free End Vascular Treatment Systems, U.S. Pat. No. 9,592,068, Mar. 14, 2017.

U.S. Appl. No. 13/953,540, filed Jul. 29, 2013, Vascular Treatment Measurement Methods, U.S. Pat. No. 8,715,314, May 6, 2014.

U.S. Appl. No. 14/012,866, filed Aug. 28, 2013, Two-Way Shape Memory Vascular Treatment Methods, U.S. Pat. No. 8,845,678, Sep. 30, 2014.

U.S. Appl. No. 14/012,862, filed Aug. 28, 2013, Methods of Coupling Parts of Vascular Treatment Systems, U.S. Pat. No. 8,733,618, May 27, 2014.

U.S. Appl. No. 14/012,904, filed Aug. 28, 2013, Methods of Manufacturing Woven Vascular Treatment Devices, U.S. Pat. No. 8,789,452, Jul. 29, 2014.

U.S. Appl. No. 14/012,913, filed Aug. 28, 2013, Methods of Manufacturing Slotted Vascular Treatment Devices, U.S. Pat. No. 9,179,995, Nov. 10, 2015.

U.S. Appl. No. 14/012,903, filed Aug. 28, 2013, Two-Way Shape Memory Vascular Treatment Systems, U.S. Pat. No. 8,870,901, Oct. 28, 2014.

U.S. Appl. No. 14/013,411, filed Aug. 29, 2013, Slotted Catheters, U.S. Pat. No. 8,728,116, May 20, 2014.

U.S. Appl. No. 14/013,376, filed Aug. 29, 2013, Heat Treatment Systems, U.S. Pat. No. 8,735,777, May 27, 2014.

U.S. Appl. No. 14/013,588, filed Aug. 29, 2013, Woven Radiopaque Patterns, U.S. Pat. No. 8,852,227, Oct. 7, 2014.

U.S. Appl. No. 14/013,530, filed Aug. 29, 2013, Offset Vascular Treatment Devices, U.S. Pat. No. 8,715,316, May 6, 2014.

U.S. Appl. No. 14/132,493, filed Dec. 18, 2013, Variably-Shaped Vascular Devices, U.S. Pat. No. 8,721,677, May 13, 2014.

U.S. Appl. No. 14/093,796, filed Dec. 2, 2013, Flow Diverting Devices, U.S. Pat. No. 8,715,317, May 6, 2014.

U.S. Appl. No. 14/093,831, filed Dec. 2, 2013, Flow Disrupting Devices, U.S. Pat. No. 8,728,117, May 20, 2014.

U.S. Appl. No. 14/093,810, filed Dec. 2, 2013, Methods of Decoupling Joints, U.S. Pat. No. 8,870,910, Oct. 28, 2014.

U.S. Appl. No. 14/254,271, filed Apr. 16, 2014, Methods of Aspiring Thrombi, U.S. Pat. No. 8,932,320, Jan. 13, 2015.

U.S. Appl. No. 14/260,655, filed Apr. 24, 2014, Aspiration Systems, U.S. Pat. No. 8,832,321, Jan. 13, 2015.

U.S. Appl. No. 14/167,118, filed Jan. 29, 2014, Variable Porosity Flow Diverting Devices, U.S. Pat. No. 8,845,679, Sep. 30, 2014.

U.S. Appl. No. 14/167,138, filed Jan. 29, 2014, Methods of Manufacturing Flow Diverting Devices, U.S. Pat. No. 8,863,631, Oct. 21, 2014.

U.S. Appl. No. 14/258,424, filed Apr. 22, 2014, Non-Cylindrical Mandrels, U.S. Pat. No. 8,910,555, Dec. 16, 2014.

U.S. Appl. No. 14/224,605, filed Mar. 25, 2014, Balloon Catheters, U.S. Pat. No. 8,828,045, Sep. 9, 2014.

U.S. Appl. No. 14/224,599, filed Mar. 25, 2014, Methods for Modifying Hypotubes, U.S. Pat. No. 8,813,247, Aug. 26, 2014.

U.S. Appl. No. 14/224,551, filed Mar. 25, 2014, Methods for Slag Removal, U.S. Pat. No. 8,859,934, Oct. 14, 2014.

U.S. Appl. No. 14/224,719, filed Mar. 25, 2014, Methods of Selectively Heat Treating Tubular Devices, U.S. Pat. No. 8,866,049, Oct. 21, 2014.

U.S. Appl. No. 14/225,055, filed Mar. 25, 2014, Reversibly Coupled Joints.

U.S. Appl. No. 14/269,594, filed May 5, 2014, Aspiration Catheters.

(56)

**References Cited**

## OTHER PUBLICATIONS

- U.S. Appl. No. 14/258,504, filed Apr. 22, 2014, Methods of Embolic Filtering, U.S. Pat. No. 8,882,797, Nov. 11, 2014.
- U.S. Appl. No. 14/224,817, filed Mar. 25, 2014, Fistula Flow Disruptor Methods, U.S. Pat. No. 8,790,365, Jul. 29, 2014.
- U.S. Appl. No. 14/167,147, filed Jan. 29, 2014, Methods of Manufacturing Variable Porosity Devices, U.S. Pat. No. 8,869,670, Oct. 28, 2014.
- U.S. Appl. No. 14/167,204, filed Jan. 29, 2014, Methods of Manufacturing Variable Porosity Flow Diverting Devices, U.S. Pat. No. 8,813,625, Aug. 26, 2014.
- U.S. Appl. No. 14/258,857, filed Apr. 22, 2014, Methods of Using Non-Cylindrical Mandrels, U.S. Pat. No. 8,904,914, Dec. 9, 2014.
- U.S. Appl. No. 14/224,593, filed Mar. 25, 2014, Devices for Modifying Hypotubes, U.S. Pat. No. 8,872,068, Oct. 28, 2014.
- U.S. Appl. No. 14/224,576, filed Mar. 25, 2014, Devices for Slag Removal, U.S. Pat. No. 8,803,030, Aug. 12, 2014.
- U.S. Appl. No. 14/224,787, filed Mar. 25, 2014, Fistula Flow Disruptors, U.S. Pat. No. 8,795,330, Aug. 5, 2014.
- U.S. Appl. No. 14/224,775, filed Mar. 25, 2014, Circumferentially Offset Variable Porosity Devices, U.S. Pat. No. 8,784,446, Jul. 22, 2014.
- U.S. Appl. No. 14/926,980, filed Oct. 29, 2015, Variably Bulbous Vascular Treatment Devices, U.S. Pat. No. 9,833,251, Dec. 5, 2017.
- U.S. Appl. No. 14/848,079, filed Sep. 8, 2015, Vascular Treatment Devices and Methods, U.S. Pat. No. 9,314,324, Apr. 19, 2016.
- U.S. Appl. No. 15/085,083, filed Mar. 30, 2016, Longitudinally Variable Vascular Treatment Devices, U.S. Pat. No. 9,901,435, Feb. 27, 2018.
- U.S. Appl. No. 15/903,587, filed Feb. 23, 2018, Thrombus Aspiration Facilitation Systems.
- U.S. Appl. No. 11/859,272, filed Sep. 21, 2007, (U.S. Pat. No. 9,034,007, filed May 19, 2015), Distal Embolic Protection Devices and Methods for Their Use.
- U.S. Appl. No. 14/709,794, filed May 12, 2015, Distal Embolic Protection Devices and Methods for Their Use.
- U.S. Appl. No. 13/952,982, filed Jul. 29, 2013, (U.S. Pat. No. 8,679,150, filed Mar. 25, 2014), Shape-Set Textile Structure Based Mechanical Thrombectomy Methods.
- U.S. Appl. No. 14/012,161, filed Aug. 28, 2013, (U.S. Pat. No. 9,179,931, filed Nov. 10, 2015), Shape-Set Textile Structure Based Mechanical Thrombectomy Systems.
- U.S. Appl. No. 14/926,636, filed Oct. 29, 2015, (U.S. Pat. No. 9,750,524, filed Sep. 5, 2017), Shape-Set Textile Structure Based Mechanical Thrombectomy Systems.
- U.S. Appl. No. 15/693,816, filed Sep. 1, 2017, Woven Vascular Device End Treatments.
- U.S. Appl. No. 13/953,556, filed Jul. 29, 2013, (U.S. Pat. No. 8,690,907, filed Apr. 8, 2014), Vascular Treatment Methods.
- U.S. Appl. No. 13/953,681, filed Jul. 29, 2013, (U.S. Pat. No. 8,715,315, filed May 6, 2014), Vascular Treatment Systems.
- U.S. Appl. No. 14/012,474, filed Aug. 28, 2013, (U.S. Pat. No. 8,747,432, filed Jun. 10, 2014), Woven Vascular Treatment Devices.
- U.S. Appl. No. 14/012,481, filed Aug. 28, 2013, (U.S. Pat. No. 8,721,676, filed May 13, 2014), Slotted Vascular Treatment Devices.
- U.S. Appl. No. 14/012,348, filed Aug. 28, 2013, (U.S. Pat. No. 8,783,151, filed Jul. 22, 2014), Methods of Manufacturing Vascular Treatment Devices.
- U.S. Appl. No. 14/167,132, filed Jan. 29, 2014, (U.S. Pat. No. 8,895,891, filed Nov. 25, 2014), Methods of Cutting Tubular Devices.
- U.S. Appl. No. 14/088,797, filed Nov. 25, 2013, (U.S. Pat. No. 8,753,371, filed Jun. 17, 2014), Woven Vascular Treatment Systems.
- U.S. Appl. No. 14/551,337, filed Nov. 24, 2014, (U.S. Pat. No. 9,592,068, filed Mar. 14, 2017), Free End Vascular Treatment Systems.
- U.S. Appl. No. 15/457,089, filed Mar. 13, 2017, Vascular Treatment Devices.
- U.S. Appl. No. 13/953,540, filed Jul. 29, 2013, (U.S. Pat. No. 8,715,314, filed May 6, 2014), Vascular Treatment Measurement Methods.
- U.S. Appl. No. 14/012,866, filed Aug. 28, 2013, (U.S. Pat. No. 8,845,678, filed Sep. 30, 2014), Two-Way Shape Memory Vascular Treatment Methods.
- U.S. Appl. No. 14/012,862, filed Aug. 28, 2013, (U.S. Pat. No. 8,733,618, filed May 27, 2014), Methods of Coupling Parts of Vascular Treatment Systems.
- U.S. Appl. No. 14/012,904, filed Aug. 28, 2013, (U.S. Pat. No. 8,789,452, filed Jul. 29, 2014), Methods of Manufacturing Woven Vascular Treatment Devices.
- U.S. Appl. No. 14/012,913, filed Aug. 28, 2013, (U.S. Pat. No. 9,179,995, filed Nov. 10, 2015), Methods of Manufacturing Slotted Vascular Treatment Devices.
- U.S. Appl. No. 14/012,903, filed Aug. 28, 2013, (U.S. Pat. No. 8,870,901, filed Oct. 28, 2014), Two-Way Shape Memory Vascular Treatment Systems.
- U.S. Appl. No. 14/013,411, filed Aug. 29, 2013, (U.S. Pat. No. 8,728,116, filed May 20, 2014), Slotted Catheters.
- U.S. Appl. No. 14/013,376, filed Aug. 29, 2013, (U.S. Pat. No. 8,735,777, filed May 27, 2014), Heat Treatment Systems.
- U.S. Appl. No. 14/013,421, filed Aug. 29, 2013, Laser Cutting Systems.
- U.S. Appl. No. 14/013,448, filed Aug. 29, 2013, Woven Vascular Device End Treatments.
- U.S. Appl. No. 14/013,588, filed Aug. 28, 2013, (U.S. Pat. No. 8,852,227, filed Oct. 7, 2014), Woven Radiopaque Patterns.
- U.S. Appl. No. 14/013,530, filed Aug. 29, 2013, (U.S. Pat. No. 8,715,316, filed May 6, 2014), Offset Vascular Treatment Devices.
- U.S. Appl. No. 14/132,493, filed Dec. 18, 2013, (U.S. Pat. No. 8,721,677, filed May 13, 2014), Variably-Shaped Vascular Devices.
- U.S. Appl. No. 14/093,796, filed Dec. 2, 2013, (U.S. Pat. No. 8,715,317, filed May 6, 2014), Flow Diverting Devices.
- U.S. Appl. No. 14/093,831, filed Dec. 2, 2013, (U.S. Pat. No. 8,728,117, filed May 20, 2014), Flow Disrupting Devices.
- U.S. Appl. No. 14/093,810, filed Dec. 2, 2013, (U.S. Pat. No. 8,870,910, filed Oct. 28, 2014), Methods of Decoupling Joints.
- U.S. Appl. No. 14/254,271, filed Apr. 16, 2014, (U.S. Pat. No. 8,932,320, filed Jan. 13, 2015), Methods of Aspirating Thrombi.
- U.S. Appl. No. 14/260,655, filed Apr. 24, 2014, (U.S. Pat. No. 8,832,321, filed Jan. 13, 2015), Aspiration Systems.
- U.S. Appl. No. 14/167,118, filed Jan. 29, 2014, (U.S. Pat. No. 8,845,679, filed Sep. 30, 2015), Variable Porosity Flow Diverting Devices.
- U.S. Appl. No. 14/167,138, filed Jan. 29, 2014, (U.S. Pat. No. 8,863,631, filed Oct. 21, 2014), Methods of Manufacturing Flow Diverting Devices.
- U.S. Appl. No. 14/258,424, filed Apr. 22, 2014, (U.S. Pat. No. 8,910,555, filed Dec. 16, 2014), Non-Cylindrical Mandrels.
- U.S. Appl. No. 14/224,605, filed Mar. 25, 2014, (U.S. Pat. No. 8,828,045, filed Sep. 9, 2014), Balloon Catheters.
- U.S. Appl. No. 14/224,599, filed Mar. 25, 2014, (U.S. Pat. No. 8,813,247, filed Aug. 26, 2014), Methods for Modifying Hypotubes.
- U.S. Appl. No. 14/224,551, filed Mar. 25, 2014, (U.S. Pat. No. 8,859,934, filed Oct. 14, 2014), Methods for Slag Removal.
- U.S. Appl. No. 14/224,637, filed Mar. 25, 2014, Variably Heat-Treated Tubular Devices.
- U.S. Appl. No. 14/224,719, filed Mar. 25, 2014, (U.S. Pat. No. 8,866,049, filed Oct. 21, 2014), Methods of Selectively Heat Treating Tubular Devices.
- U.S. Appl. No. 14/255,055, filed Mar. 25, 2014, Reversibly Coupled Joints.
- U.S. Appl. No. 14/268,594, filed May 5, 2014, Aspiration Catheters.
- U.S. Appl. No. 14/258,504, filed Apr. 22, 2014, (U.S. Pat. No. 8,882,797, filed Nov. 11, 2014), Methods of Embolic Filtering.
- U.S. Appl. No. 14/224,817, filed Mar. 25, 2014, (U.S. Pat. No. 8,790,365, filed Jul. 29, 2014), Fistula Flow Disruptor Methods.
- U.S. Appl. No. 14/167,147, filed Jan. 29, 2014, (U.S. Pat. No. 8,869,670, filed Oct. 28, 2014), Methods of Manufacturing Variable Porosity Devices.

(56)

**References Cited**

## OTHER PUBLICATIONS

U.S. Appl. No. 14/167,204, filed Jan. 29, 2014, (U.S. Pat. No. 8,813,625, filed Aug. 26, 2014), Methods of Manufacturing Variable Porosity Flow Diverting Devices.

U.S. Appl. No. 14/258,857, filed Apr. 22, 2014, (U.S. Pat. No. 8,904,914, filed Dec. 9, 2014), Methods of Using Non-Cylindrical Mandrels.

U.S. Appl. No. 14/224,593, filed Mar. 25, 2014, (U.S. Pat. No. 8,872,068, filed Oct. 28, 2014), Devices for Modifying Hypotubes.

U.S. Appl. No. 14/224,576, filed Mar. 25, 2014, (U.S. Pat. No. 8,803,030, filed Aug. 12, 2014), Devices for Slag Removal.

U.S. Appl. No. 14/224,787, filed Mar. 25, 2014, (U.S. Pat. No. 8,795,330, filed Aug. 5, 2014), Fistula Flow Disruptors.

U.S. Appl. No. 14/224,775, filed Mar. 25, 2014, (U.S. Pat. No. 8,784,446, filed Jul. 22, 2014), Circumferentially Offset Variable Porosity Devices.

U.S. Appl. No. 14/926,980, filed Oct. 29, 2015, (U.S. Pat. No. 9,833,251, filed Dec. 5, 2017), Variably Bulbous Vascular Treatment Devices.

U.S. Appl. No. 15/829,416, filed Dec. 1, 2017, Aspiration and Mechanical Thrombectomy Methods.

U.S. Appl. No. 14/848,079, filed Sep. 8, 2015, (U.S. Pat. No. 9,314,324, filed Apr. 19, 2016), Vascular Treatment Devices and Methods.

U.S. Appl. No. 15/085,083, filed Mar. 30, 2016, (U.S. Pat. No. 9,901,435, filed Dec. 27, 2018), Longitudinally Variable Vascular Treatment Devices.

U.S. Appl. No. 15/9013,587, filed Feb. 23, 2018, Thrombus Aspiration Facilitation Systems.

U.S. Appl. No. 16/126,651, filed Sep. 10, 2018, Thrombus Aspiration Using An Operator-Selectable Suction Pattern.

U.S. Appl. No. 16/126,627, filed Sep. 10, 2018, Thrombus Aspiration With Different Intensity Levels.

U.S. Appl. No. 16/239,903, filed Jan. 4, 2019, Methods of Treating a Thrombus in an Artery Using Cyclical Aspiration Patterns.

U.S. Appl. No. 16/239,888, filed Jan. 4, 2019, Methods of Treating a Thrombus in a Vein Using Cyclical Aspiration Patterns.

U.S. Appl. No. 16/239,894, filed Jan. 4, 2019, Devices for Inhibiting Distal Drift of Flow Diverting Stents.

U.S. Appl. No. 16/103,410, filed Aug. 14, 2018, Aspiration Devices and Methods.

U.S. Appl. No. 16/241,256, filed Jan. 7, 2019, Methods of Treating Brain Bleeds Using Cyclical Aspiration Patterns.

U.S. Appl. No. 16/241,611, filed Jan. 7, 2019, Methods of Treating Intracerebral Hemorrhages Using Cyclical Aspiration Patterns.

U.S. Appl. No. 16/241,639, filed Jan. 7, 2019 Systems for Aspirating Thrombus During Neurosurgical Procedures.

U.S. Appl. No. 16/241,219, filed Jan. 7, 2019, Multilayer Devices for Inhibiting Distal Migration of Flow Diverting Stents.

U.S. Appl. No. 29/634,405, filed Jan. 22, 2018, Pump.

U.S. Appl. No. 29/678,622, filed Jan. 30, 2019, Pump.

U.S. Appl. No. 29/678,632, filed Jan. 30, 2019, Pump.

U.S. Appl. No. 29/678,623, filed Jan. 30, 2019, Pump.

\* cited by examiner

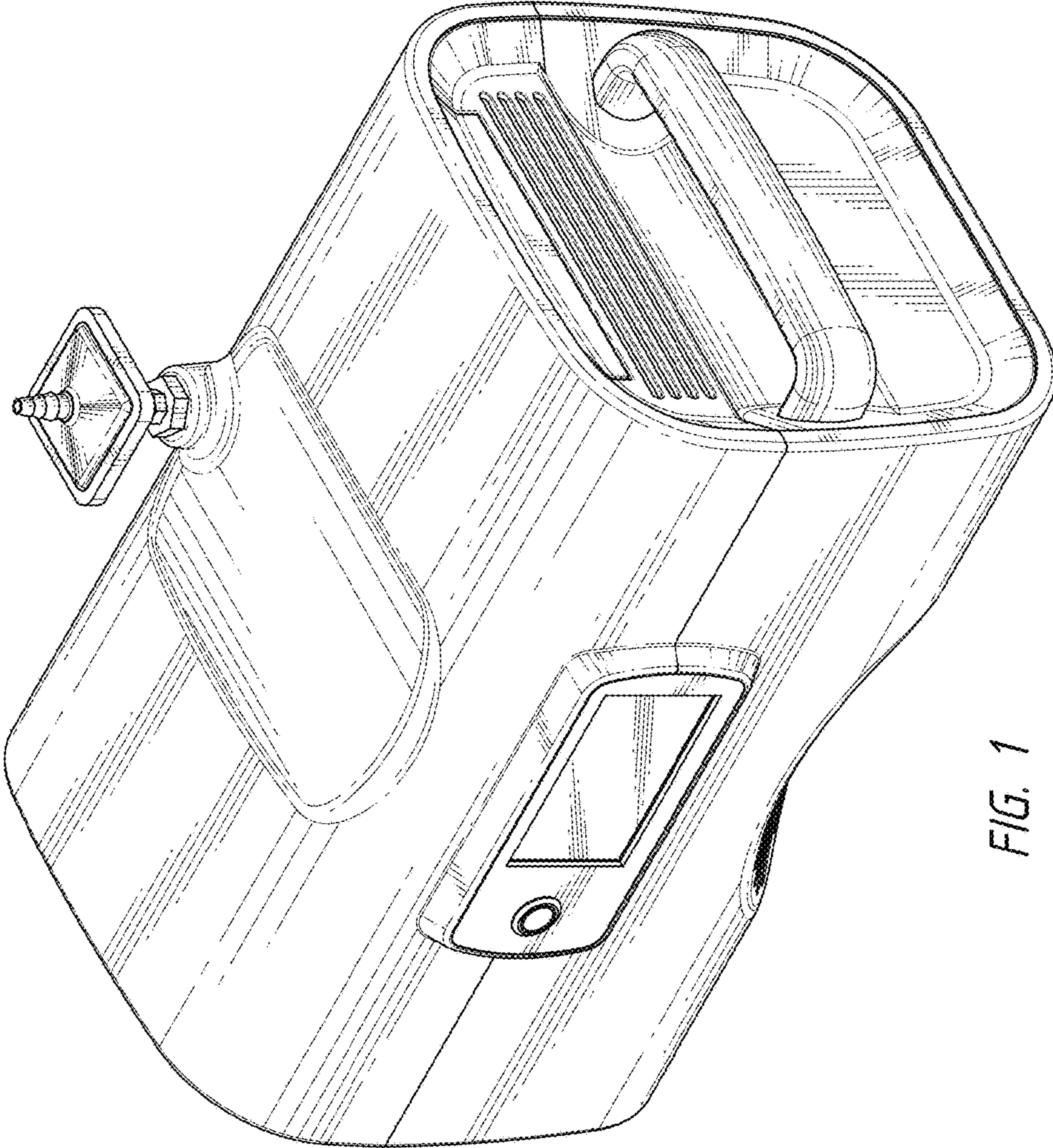


FIG. 1

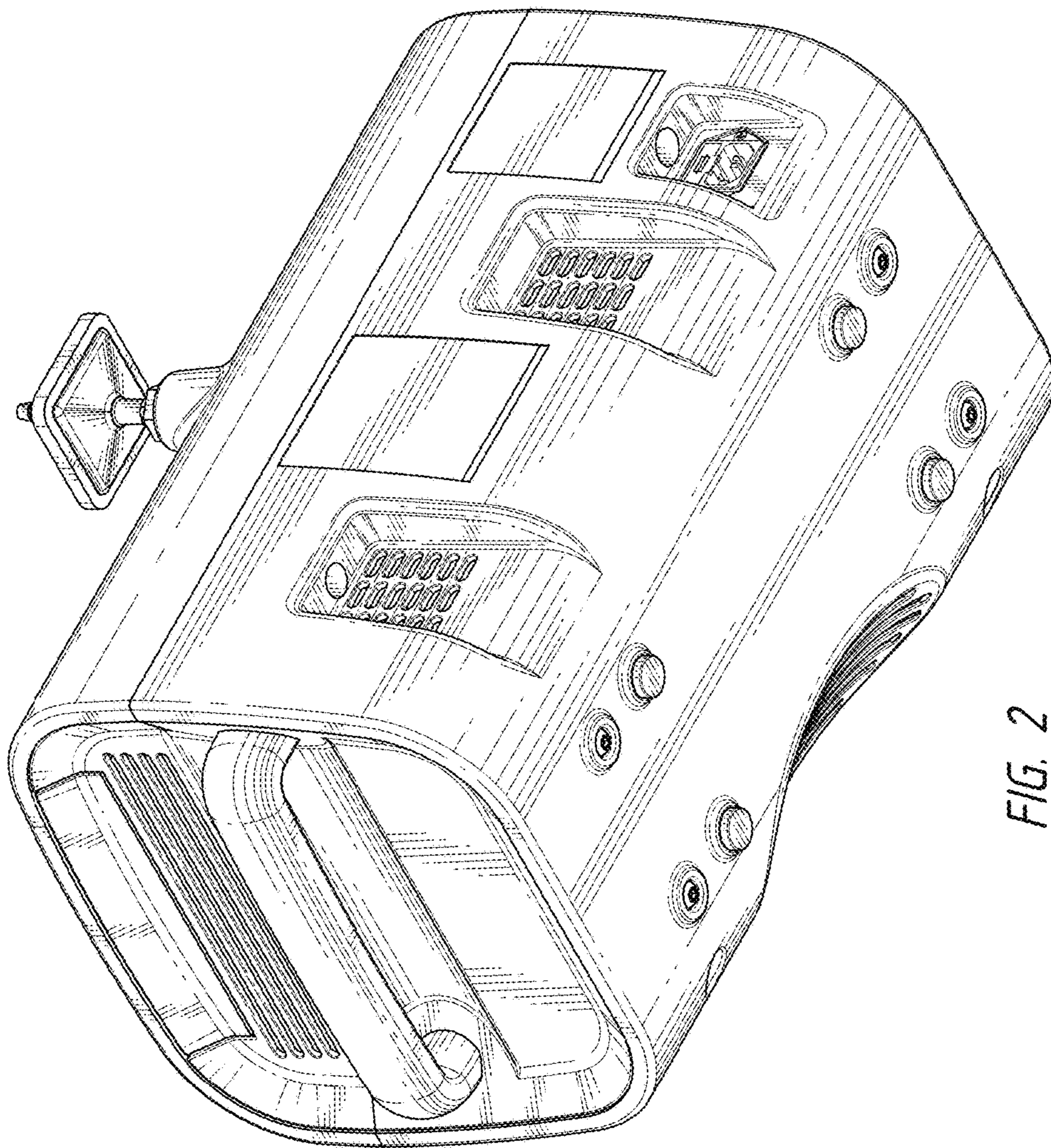


FIG. 2

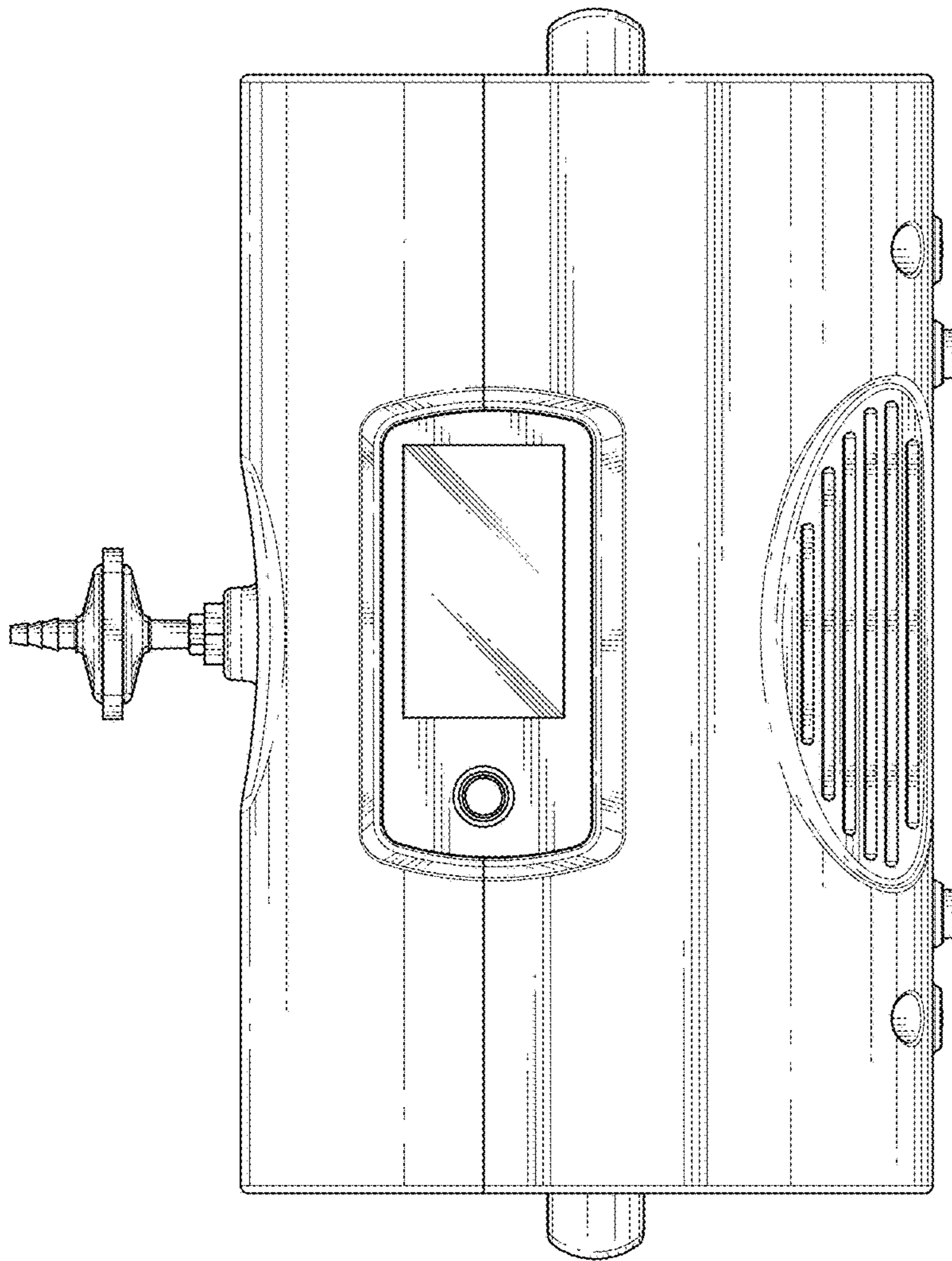


FIG. 3



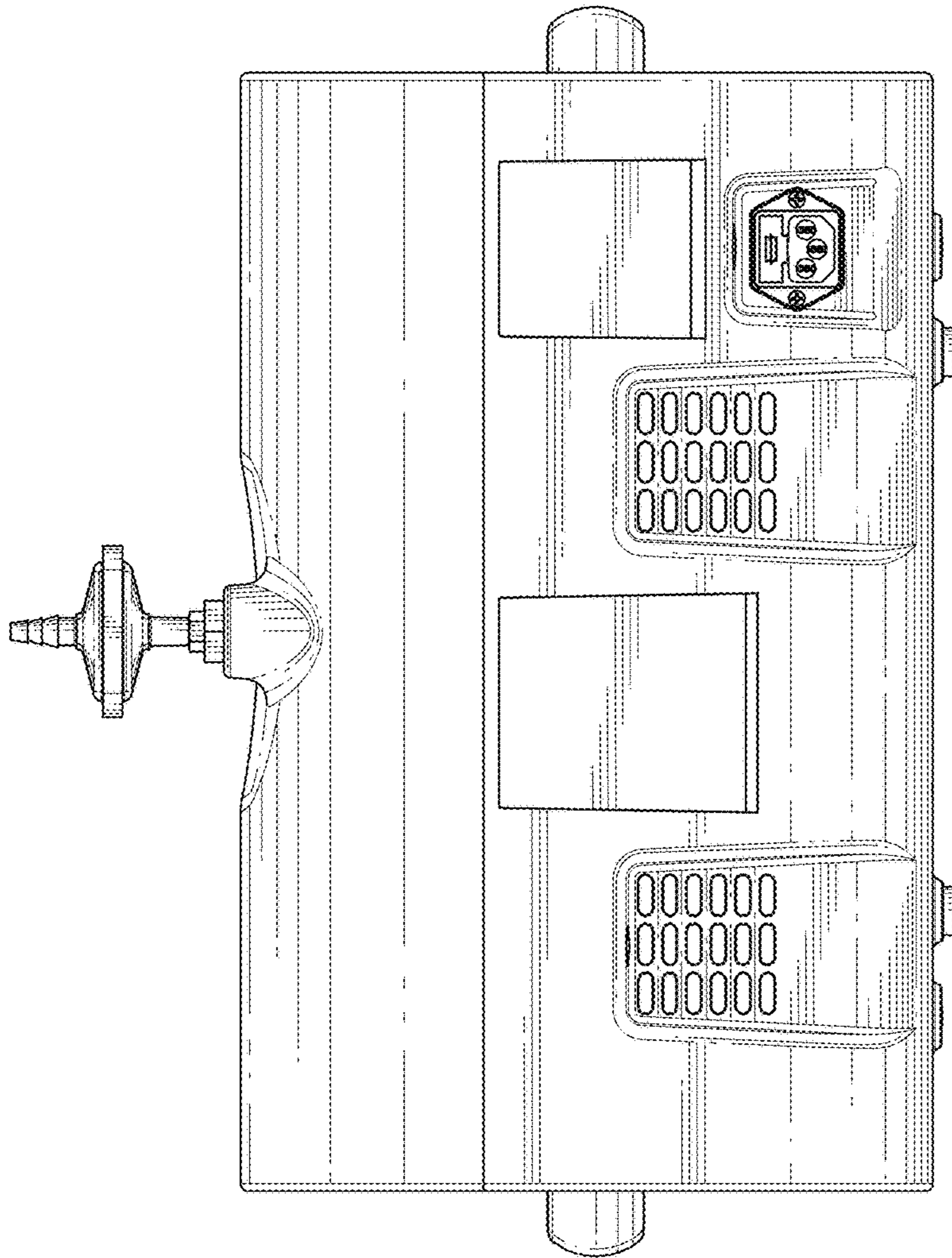


FIG. 4

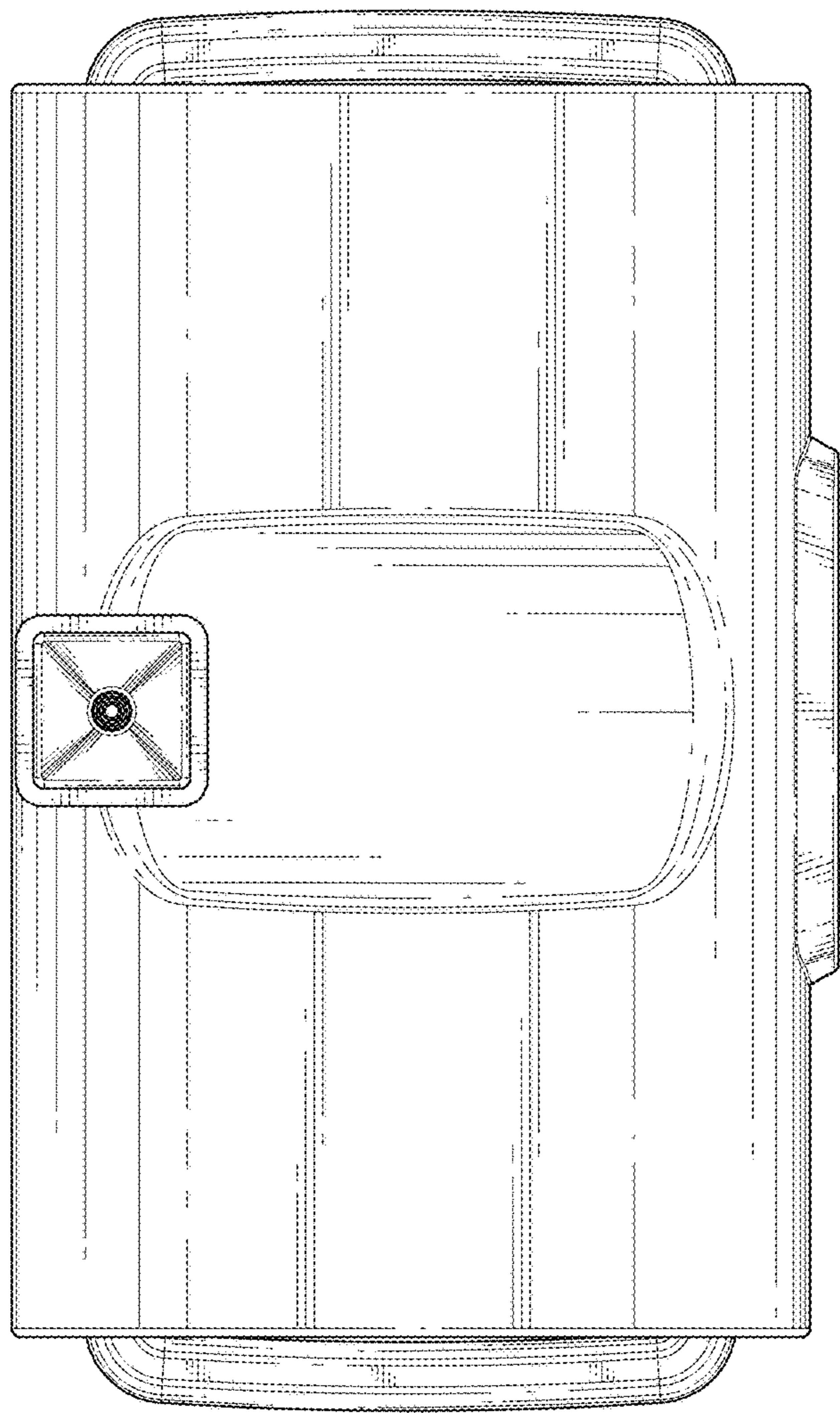


FIG. 5

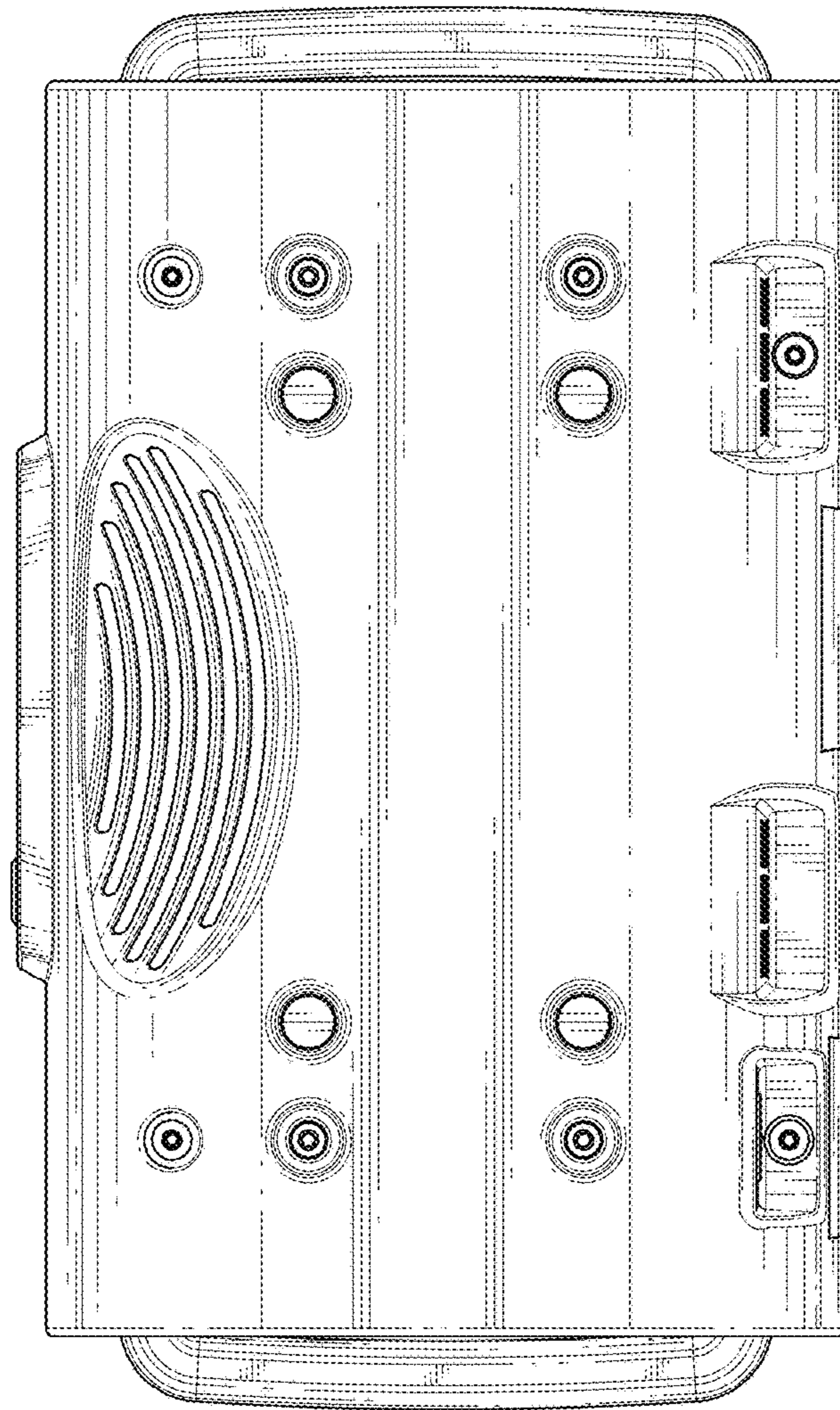


FIG. 6

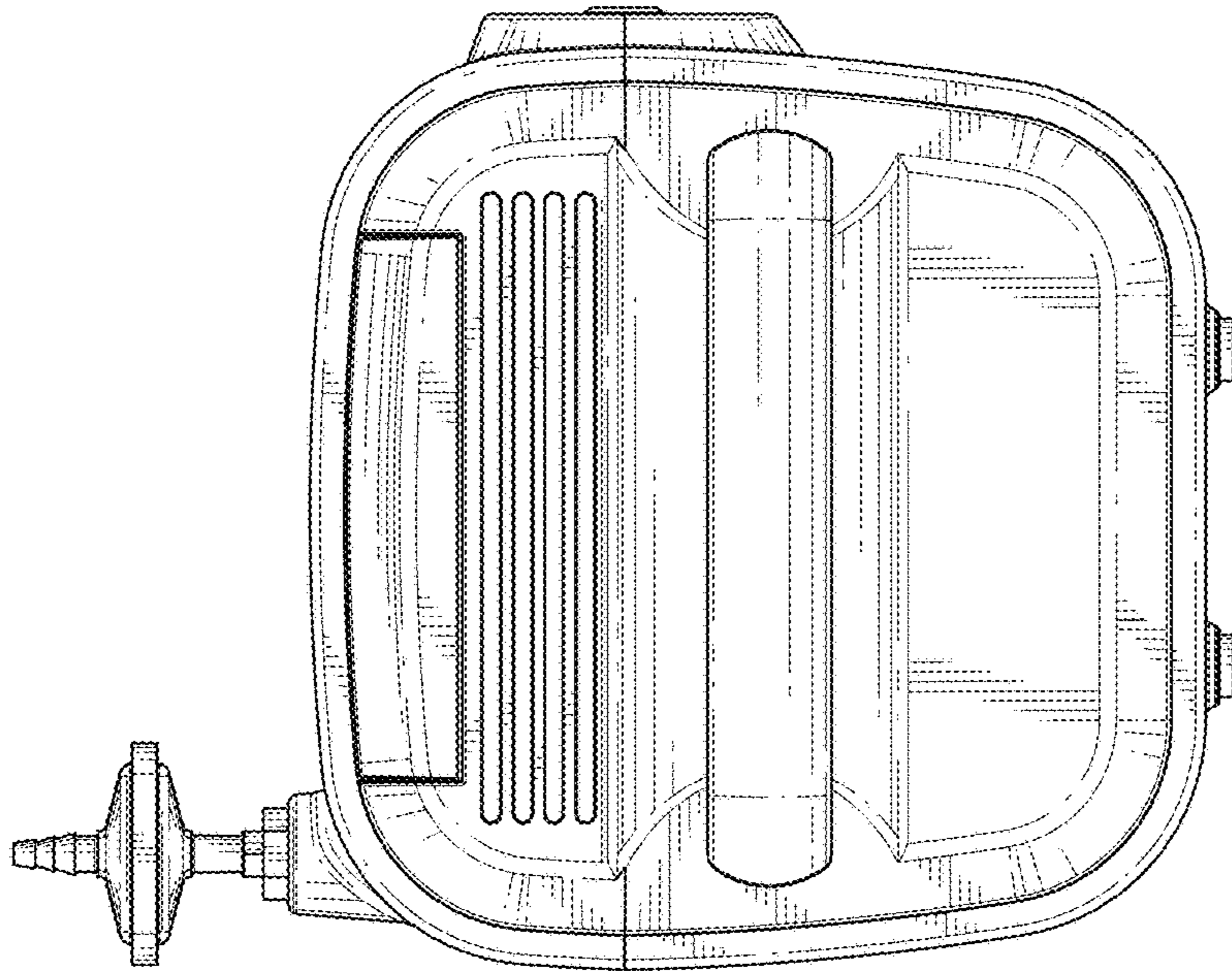


FIG. 8

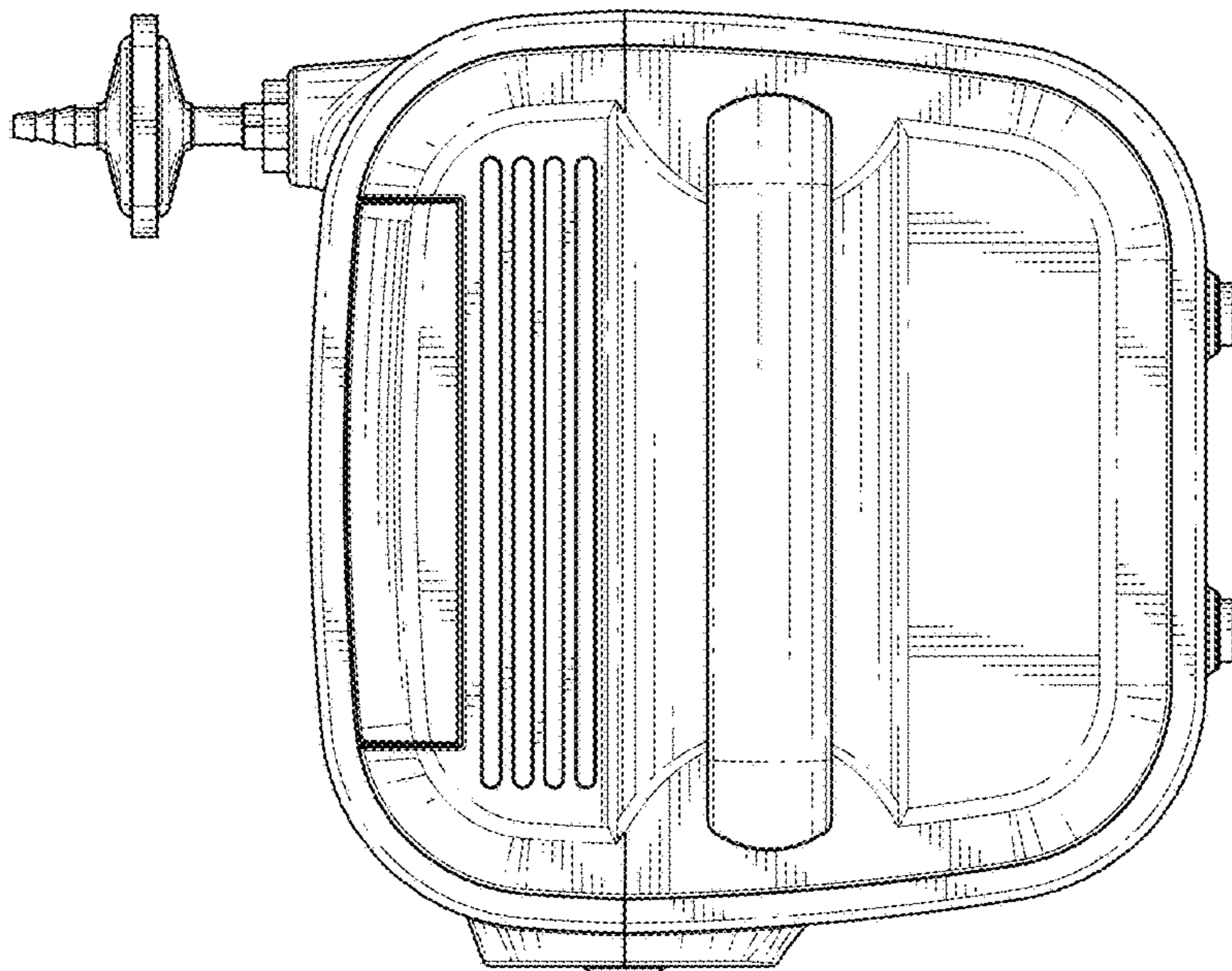


FIG. 7