



US00D850489S

(12) **United States Design Patent**  
**Charriere**

(10) **Patent No.:** **US D850,489 S**

(45) **Date of Patent:** **\*\* Jun. 4, 2019**

(54) **METERING PUMP**

(71) Applicant: **DOSATRON INTERNATIONAL**,  
Tresses, Bordeaux (FR)

(72) Inventor: **Christophe Charriere**, Camblanes et  
Meynac (FR)

(73) Assignee: **DOSATRON INTERNATIONAL**,  
Bordeaux (FR)

(\*\*) Term: **15 Years**

(21) Appl. No.: **29/636,383**

(22) Filed: **Feb. 8, 2018**

(30) **Foreign Application Priority Data**

Aug. 16, 2017 (EM) ..... 004150050-0001

(51) **LOC (11) Cl.** ..... **15-02**

(52) **U.S. Cl.**  
USPC ..... **D15/7**

(58) **Field of Classification Search**  
USPC ..... D15/7-9; D23/225, 231, 232  
CPC ..... F02M 37/04; F02M 37/14; F04B 53/92;  
F04B 1/005; F04D 13/06; F04D 29/22;  
F04D 29/046; F04D 29/2266  
See application file for complete search history.

(56) **References Cited**

**U.S. PATENT DOCUMENTS**

D339,143 S \* 9/1993 Whitley, II ..... D15/7  
D401,944 S \* 12/1998 Campbell ..... D15/7  
D440,231 S \* 4/2001 Craford ..... D15/7  
D614,203 S \* 4/2010 Distler ..... D15/7

D649,164 S \* 11/2011 Cook ..... D15/7  
D678,338 S \* 3/2013 O'Shea ..... D15/7  
D691,178 S \* 10/2013 Lambinet ..... D15/7  
D691,179 S \* 10/2013 Charriere ..... D15/7  
D725,679 S \* 3/2015 Charriere ..... D15/7  
D729,848 S \* 5/2015 Charriere ..... D15/7  
D752,648 S \* 3/2016 Kopel ..... D15/7  
D752,649 S \* 3/2016 Lins ..... D15/7  
D753,188 S \* 4/2016 Kopel ..... D15/7  
D769,332 S \* 10/2016 Varini ..... D15/7  
D769,943 S \* 10/2016 Charriere ..... D15/7  
D828,401 S \* 9/2018 Leggett ..... D15/7

\* cited by examiner

*Primary Examiner* — Khawaja Anwar

(74) *Attorney, Agent, or Firm* — Wenderoth, Lind &  
Ponack, L.L.P.

(57) **CLAIM**

The ornamental design for a metering pump, as shown and described.

**DESCRIPTION**

The file of this patent contains at least one drawing/photograph executed in color. Copies of this patent with color drawing(s)/photograph(s) will be provided by the Office upon request and payment of the necessary fee.

FIG. 1 is a front view of the design;  
FIG. 2 is a bottom view of the design;  
FIG. 3 is a left side view of the design;  
FIG. 4 is a rear view of the design;  
FIG. 5 is a top view of the design;  
FIG. 6 is a right side view of the design; and,  
FIG. 7 is a perspective view of the design.

**1 Claim, 7 Drawing Sheets**  
**(7 of 7 Drawing Sheet(s) Filed in Color)**

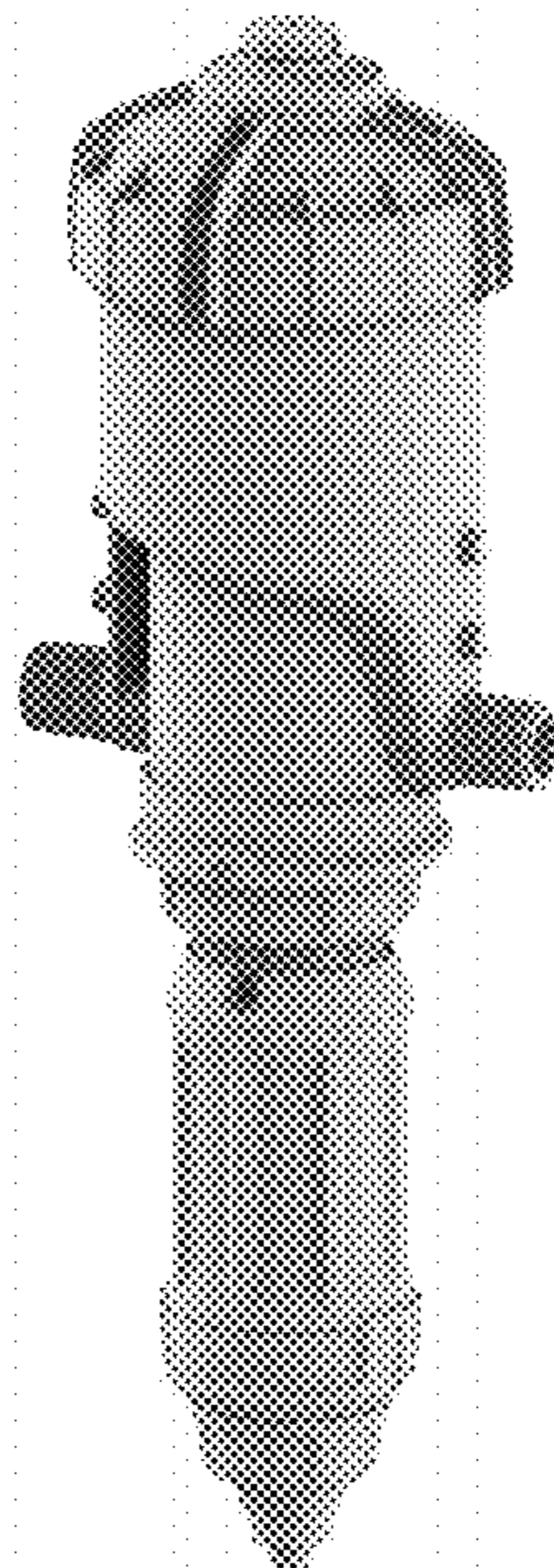




Fig. 1

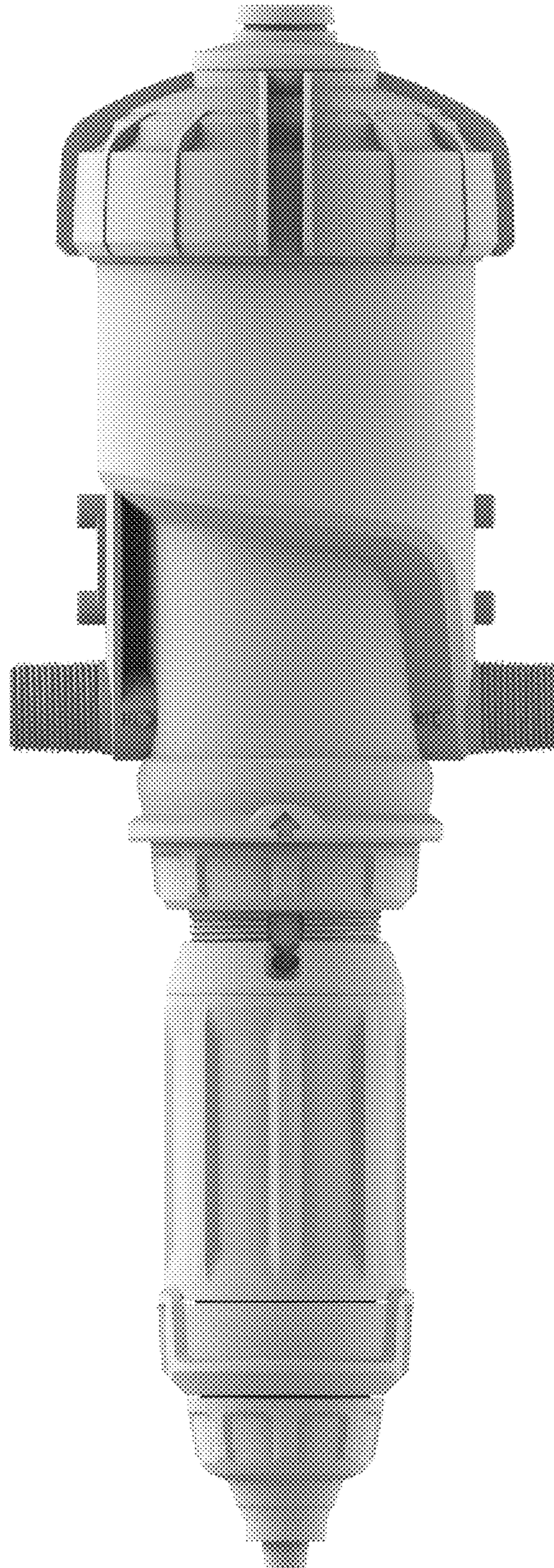




Fig. 2

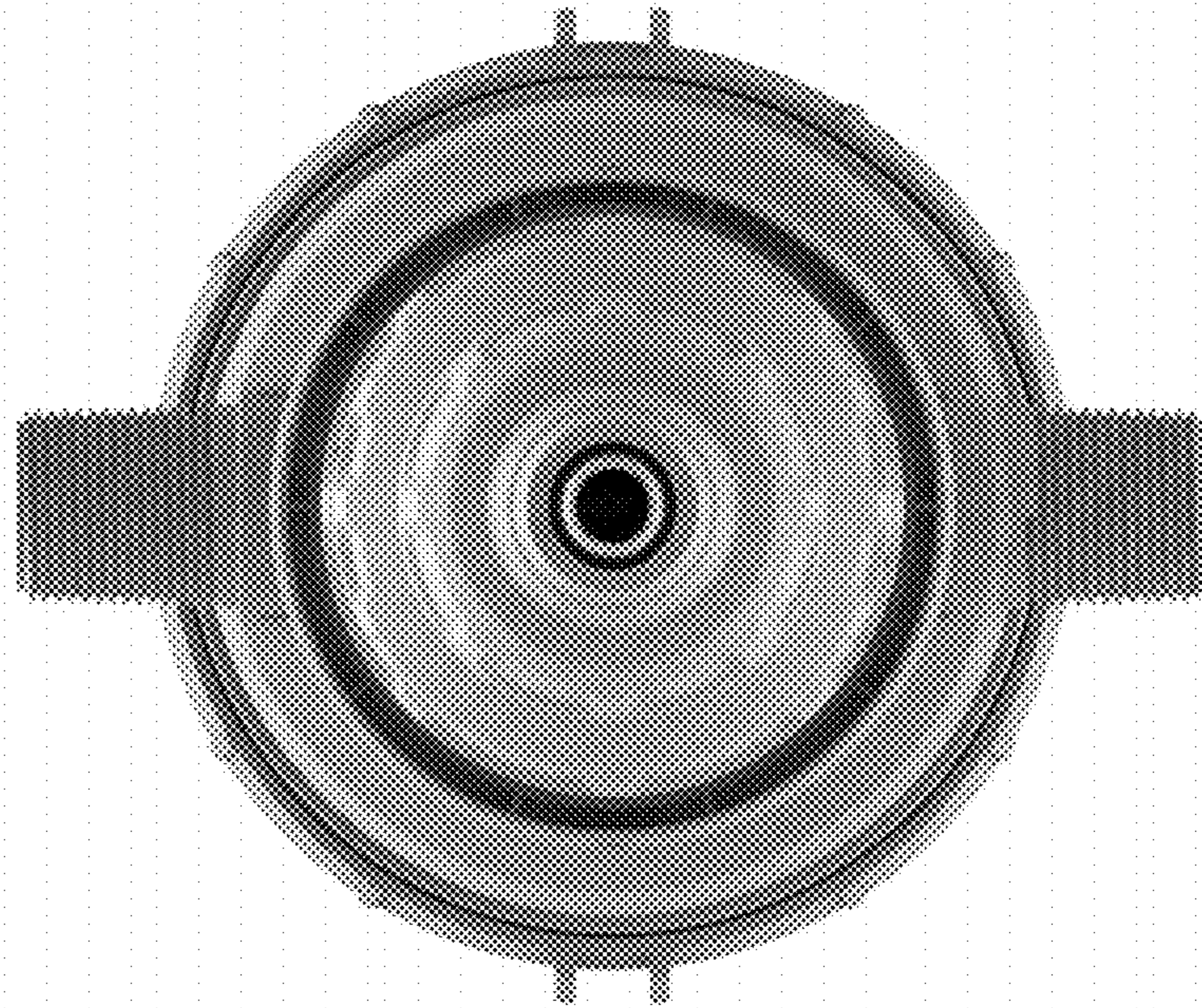


Fig. 3

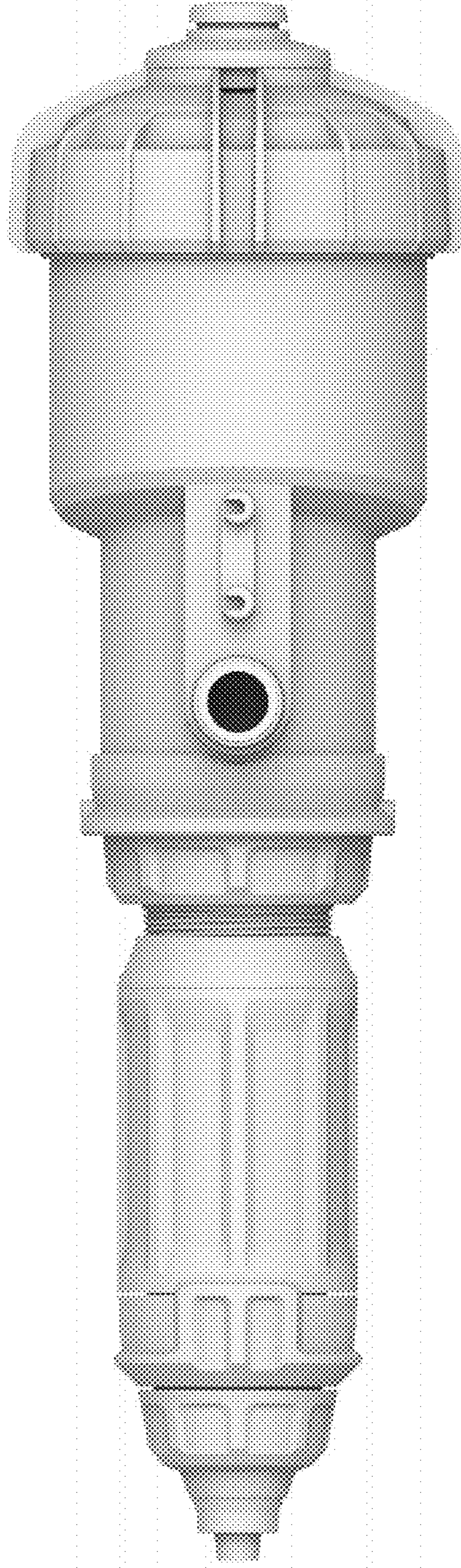




Fig. 4

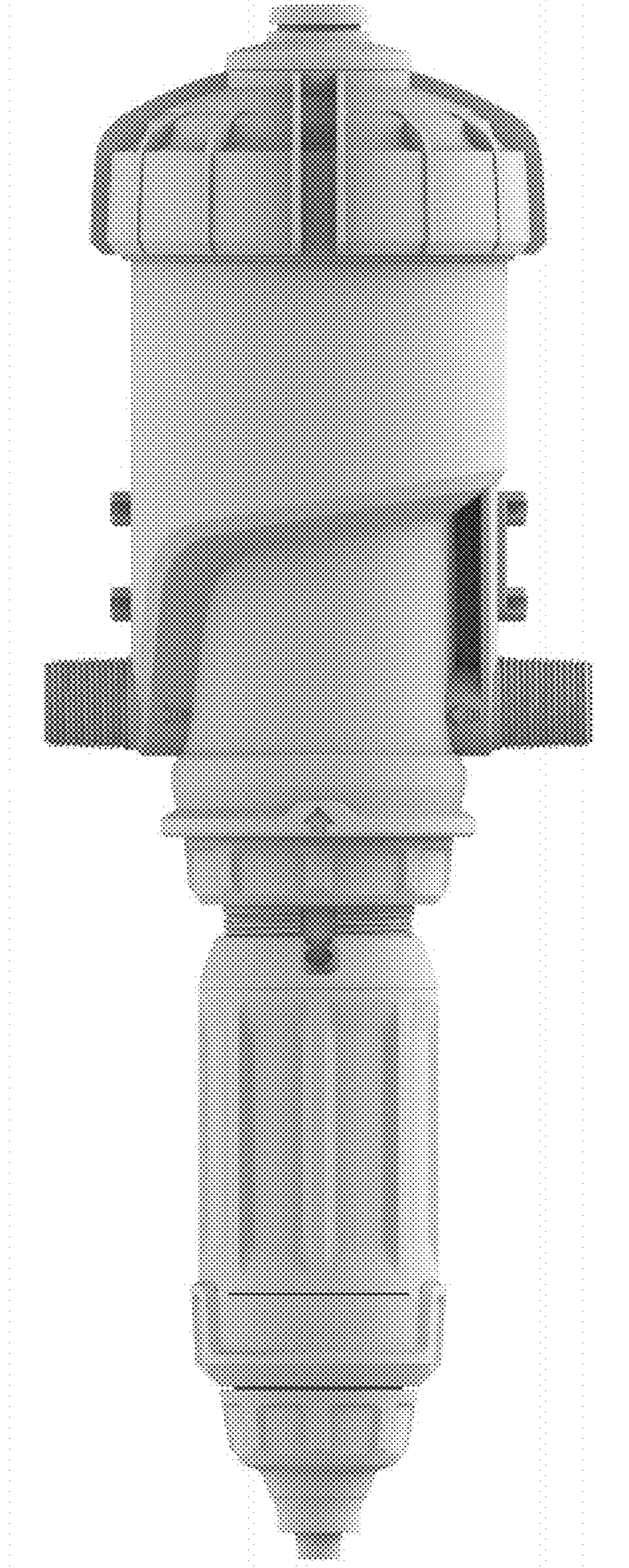




Fig. 5

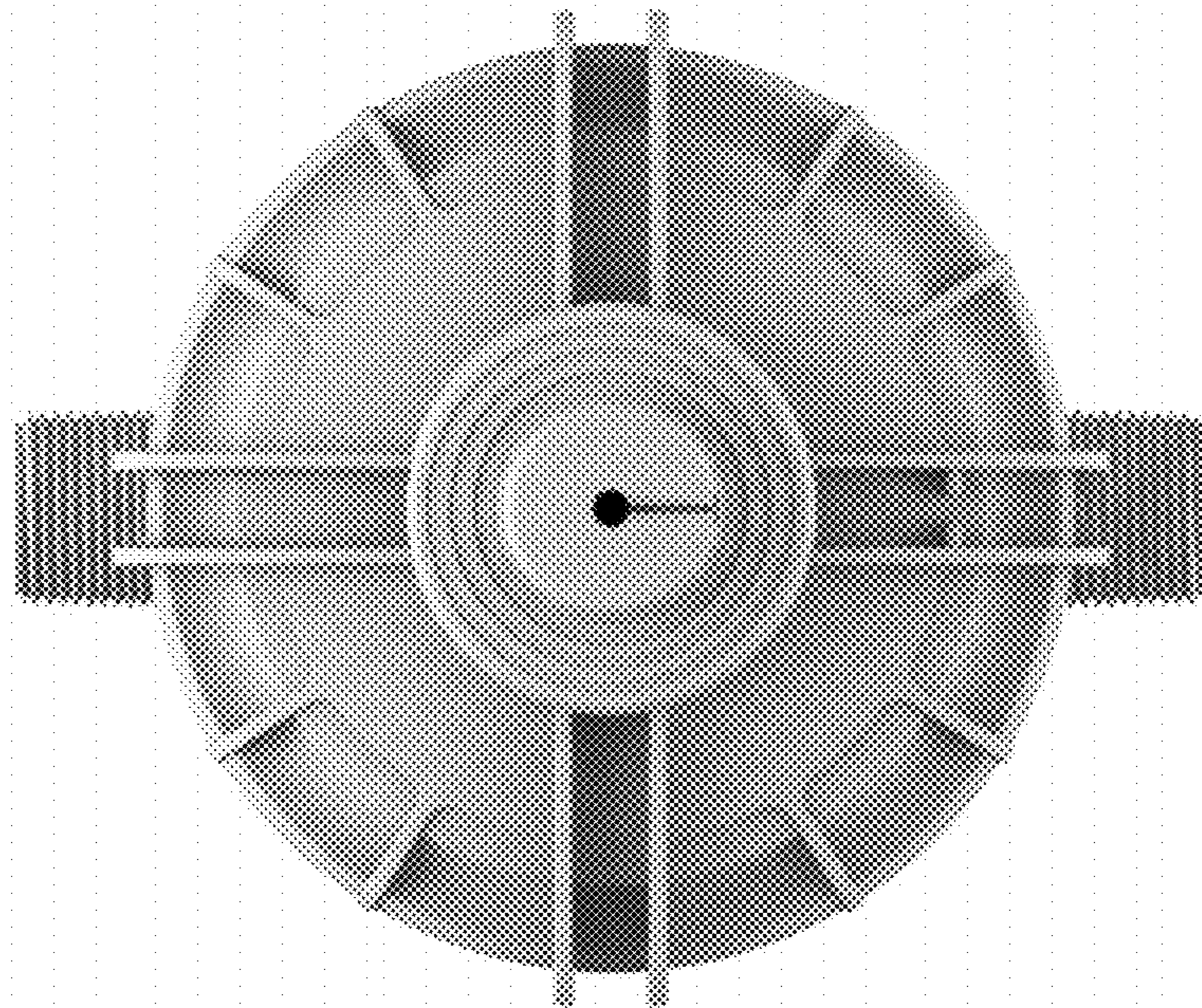


Fig. 6

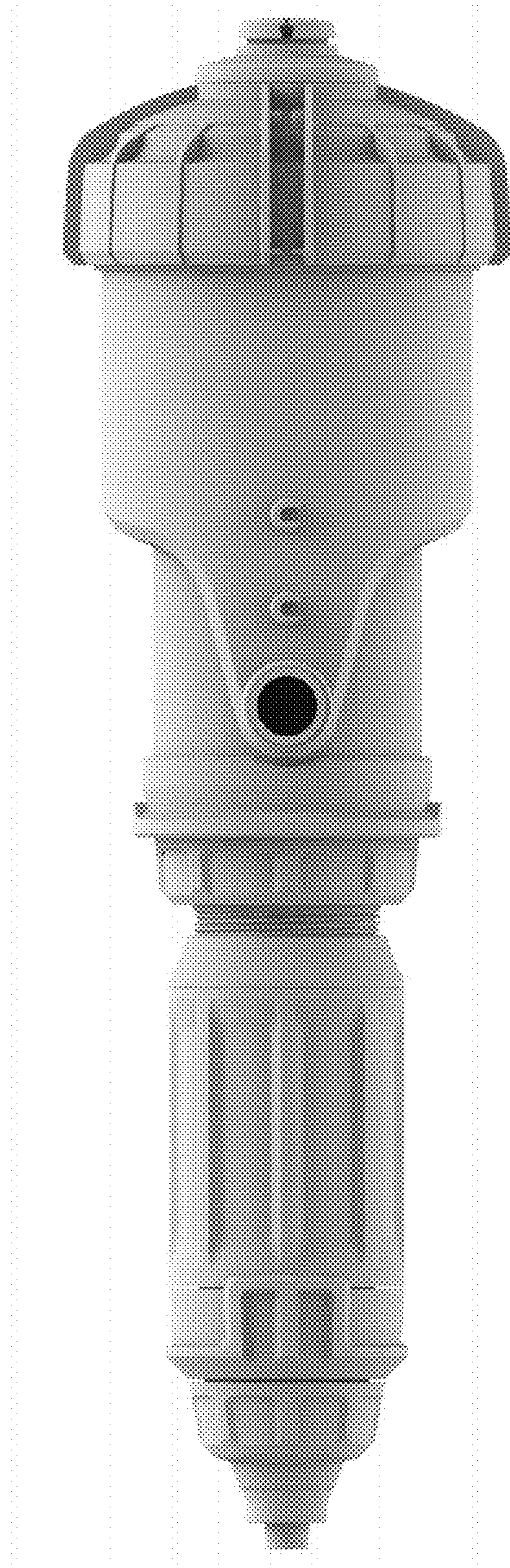




Fig. 7

