

US00D850458S

(12) **United States Design Patent** (10) **Patent No.:** **US D850,458 S**
Moore (45) **Date of Patent:** **** Jun. 4, 2019**

(54) **DEVICE COVER**

(71) Applicant: **Amazon Technologies, Inc.**, Seattle, WA (US)

(72) Inventor: **Jesse Wheeler Moore**, Oakland, CA (US)

(73) Assignee: **Amazon Technologies, Inc.**, Seattle, WA (US)

(**) Term: **15 Years**

(21) Appl. No.: **29/644,528**

(22) Filed: **Apr. 18, 2018**

(51) **LOC (11) Cl.** **14-02**

(52) **U.S. Cl.**
USPC **D14/440**

(58) **Field of Classification Search**
USPC D14/440; 206/45.23, 320, 45.2;
361/679.55; 294/25; 224/218
CPC ... G06F 1/1628; G06F 1/1626; A47B 23/044;
H04B 1/3888; H05K 5/0217
See application file for complete search history.

(56) **References Cited**

U.S. PATENT DOCUMENTS

D323,937	S	*	2/1992	Solomon	D3/299
D467,429	S	*	12/2002	Bone	D3/294
D657,354	S	*	4/2012	Kim	D14/250
D676,448	S	*	2/2013	Gorman	D14/440
D676,449	S	*	2/2013	Probst	D14/440
D685,799	S	*	7/2013	Canizares	D14/440
D685,800	S	*	7/2013	Canizares	D14/440
D685,801	S	*	7/2013	Canizares	D14/440
D685,802	S	*	7/2013	Canizares	D14/440
8,542,495	B1	*	9/2013	Gorman	361/679.02
D707,229	S	*	6/2014	Almodova	D14/440
D736,777	S	*	8/2015	Rayner	D14/440
D742,888	S	*	11/2015	Mecchella	D14/440
D742,889	S	*	11/2015	Mecchella	D14/440

(Continued)

OTHER PUBLICATIONS

The Indian Office Action dated Oct. 18, 2018, for Indian Design Application No. 311183 a counterpart foreign application of the US Design Application No. 311183, 2 pages.

The Chinese Office Action dated Dec. 26, 2018 for Chinese design application No. 201830579259.5, a counterpart foreign application of design U.S. Appl. No. 29/644,528, 1 page.

Primary Examiner — Cynthia R Underwood

(74) *Attorney, Agent, or Firm* — Lee & Hayes, P.C.

(57) **CLAIM**

The ornamental design for a device cover, as shown and described.

DESCRIPTION

FIG. 1 is a front perspective view of a device cover shown in a closed state;

FIG. 2 is a back perspective view thereof;

FIG. 3 is a front view thereof;

FIG. 4 is a back view thereof;

FIG. 5 is a left-side view thereof;

FIG. 6 is a right-side view thereof;

FIG. 7 is a top view thereof;

FIG. 8 is a bottom view thereof;

FIG. 9 is a front perspective view of the device cover shown in an opened state;

FIG. 10 is a back perspective view thereof;

FIG. 11 is a front view thereof;

FIG. 12 is a back view thereof;

FIG. 13 is a left-side view thereof;

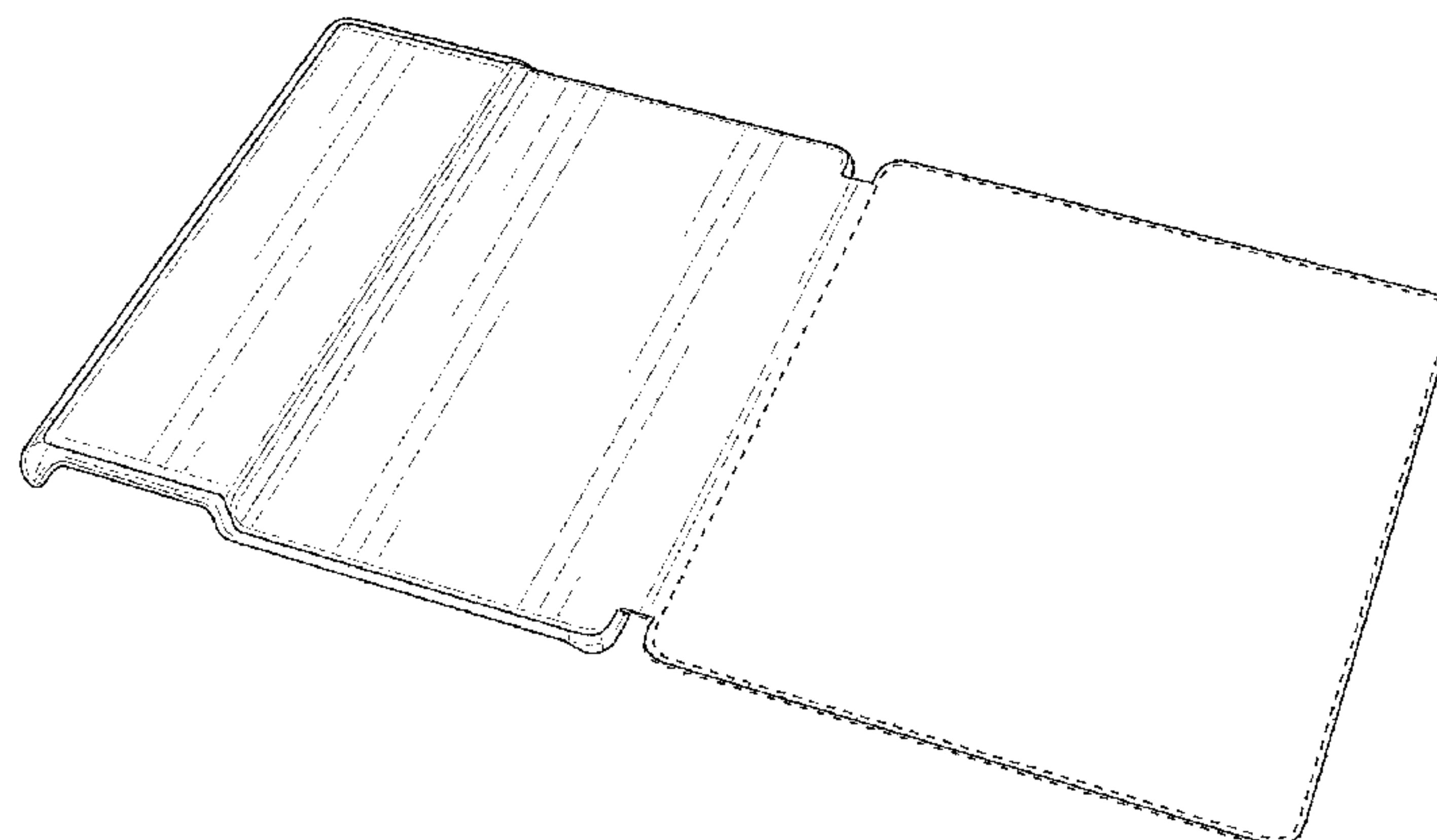
FIG. 14 is a right-side view thereof;

FIG. 15 is a top view thereof; and,

FIG. 16 is a bottom view thereof.

The dashed broken lines depict portions of the device cover that form no part of the claimed design. The dot-dashed broken lines represent boundaries of the claimed device cover and form no part of the claimed design.

1 Claim, 16 Drawing Sheets



(56)

References Cited

U.S. PATENT DOCUMENTS

D742,890 S * 11/2015 Mecchella D14/440
D748,097 S * 1/2016 Feng D14/440
D748,636 S * 2/2016 Zadvinskis D14/440
D753,123 S * 4/2016 Probst D14/440
9,307,131 B1 * 4/2016 Breen H04N 5/2257
D761,798 S * 7/2016 Lee D14/440
D765,086 S * 8/2016 Lee D14/440
D765,663 S * 9/2016 Shih D14/440
D768,638 S * 10/2016 Lee D14/440
D774,036 S * 12/2016 Kuntz D14/440
D781,278 S * 3/2017 Kim D14/250
D787,520 S * 5/2017 Wall D14/440
D792,412 S * 7/2017 Zhang D14/440
D792,887 S * 7/2017 Zhang D14/440
D808,393 S * 1/2018 Moore D14/440
D810,088 S * 2/2018 Moore D14/440
D811,411 S * 2/2018 Moore D14/440
D837,792 S * 1/2019 Kim D14/440
D837,793 S * 1/2019 Ham D14/440
2007/0097087 A1 * 5/2007 Homer G06F 1/1626
345/173
2008/0194139 A1 * 8/2008 Chan G06F 1/1613
439/521
2012/0043235 A1 * 2/2012 Klement A45C 11/00
206/320
2013/0264459 A1 * 10/2013 McCosh G06F 1/1626
248/688
2016/0011628 A1 * 1/2016 Sato G06F 1/1656
361/679.3

* cited by examiner

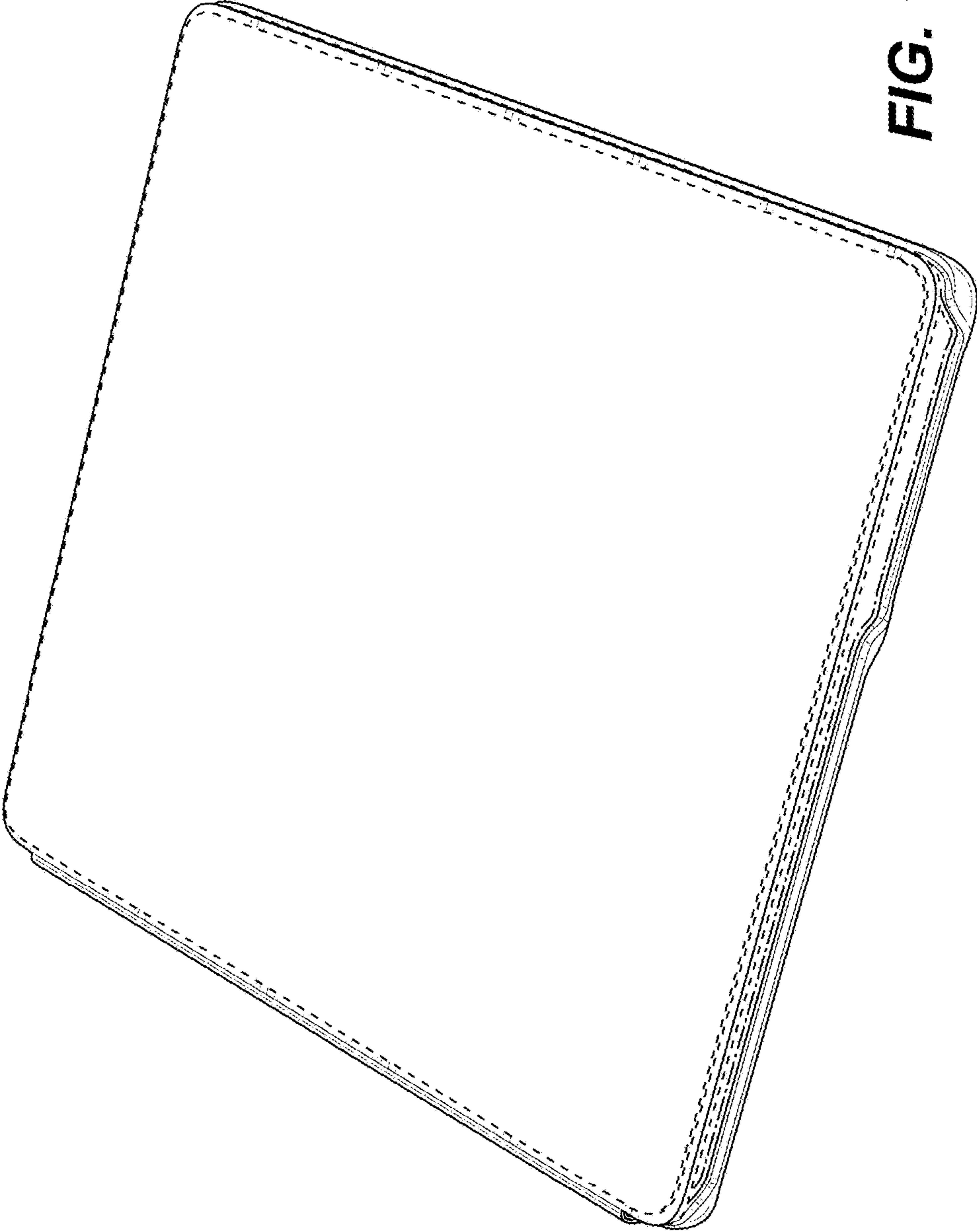


FIG. 1

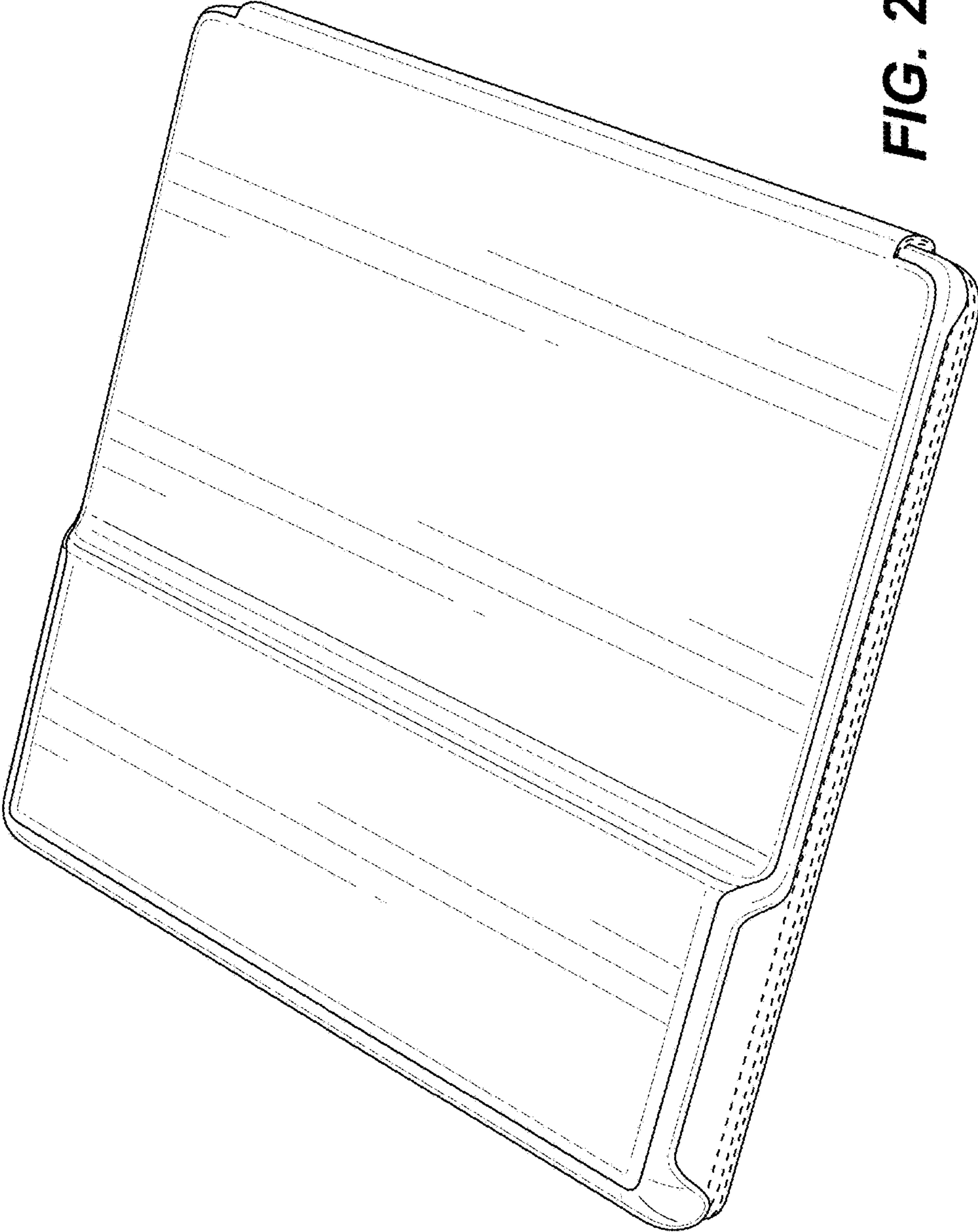


FIG. 2



FIG. 3

FIG. 4



FIG. 5



FIG. 6



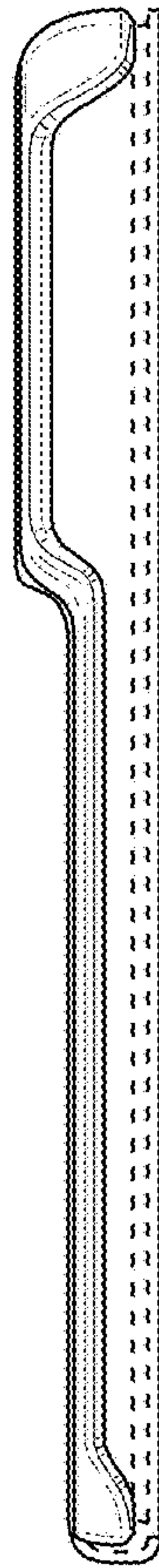


FIG. 7

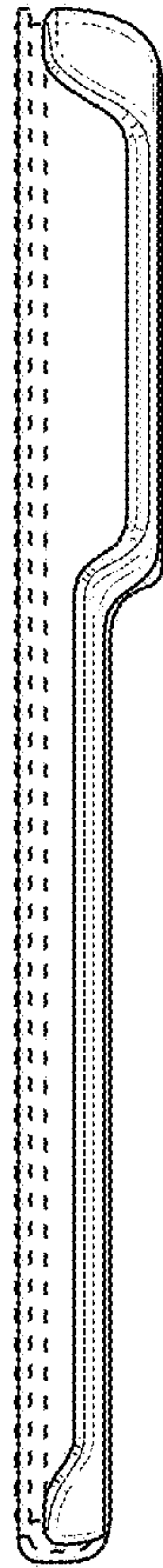


FIG. 8

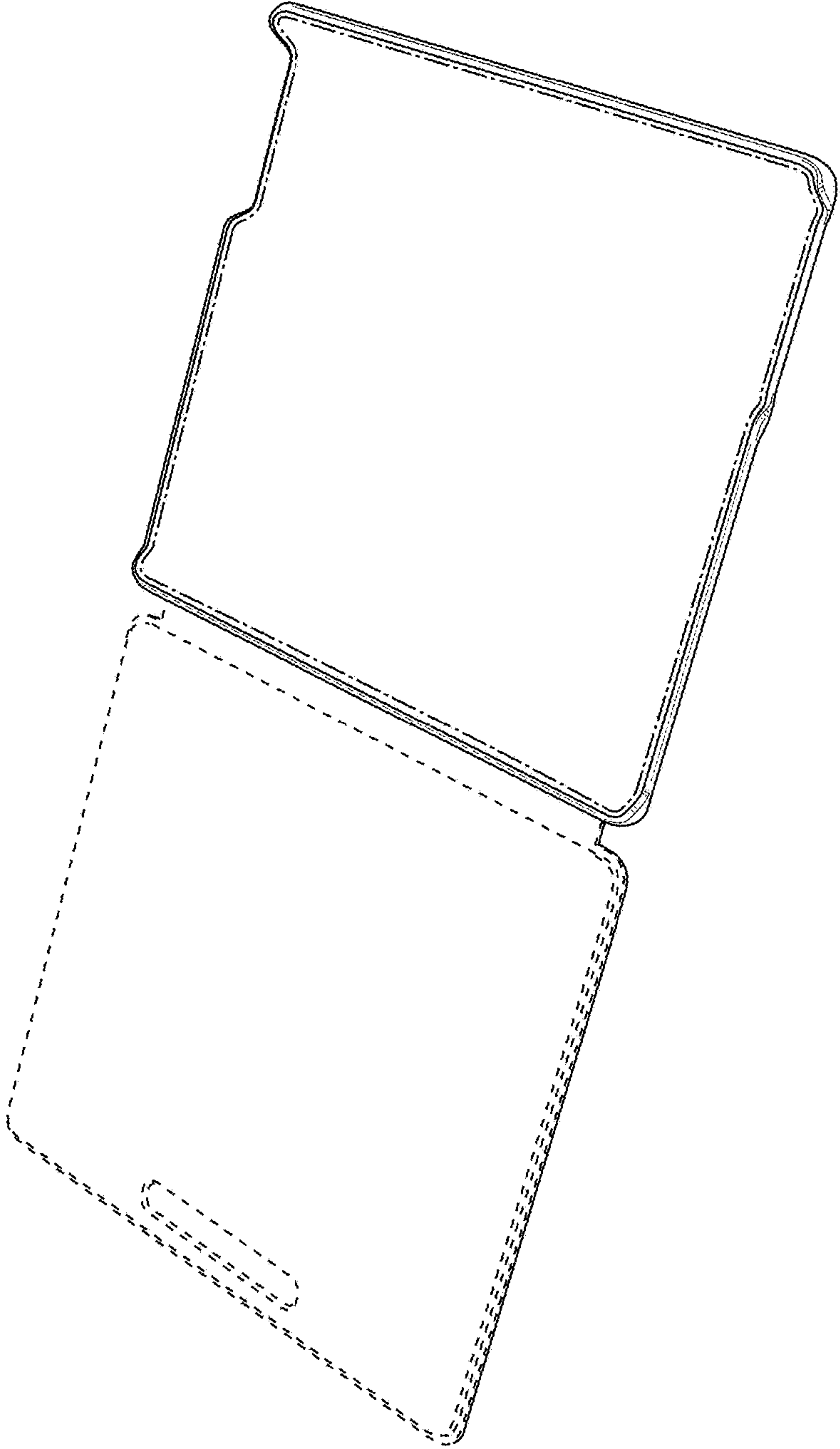


FIG. 9

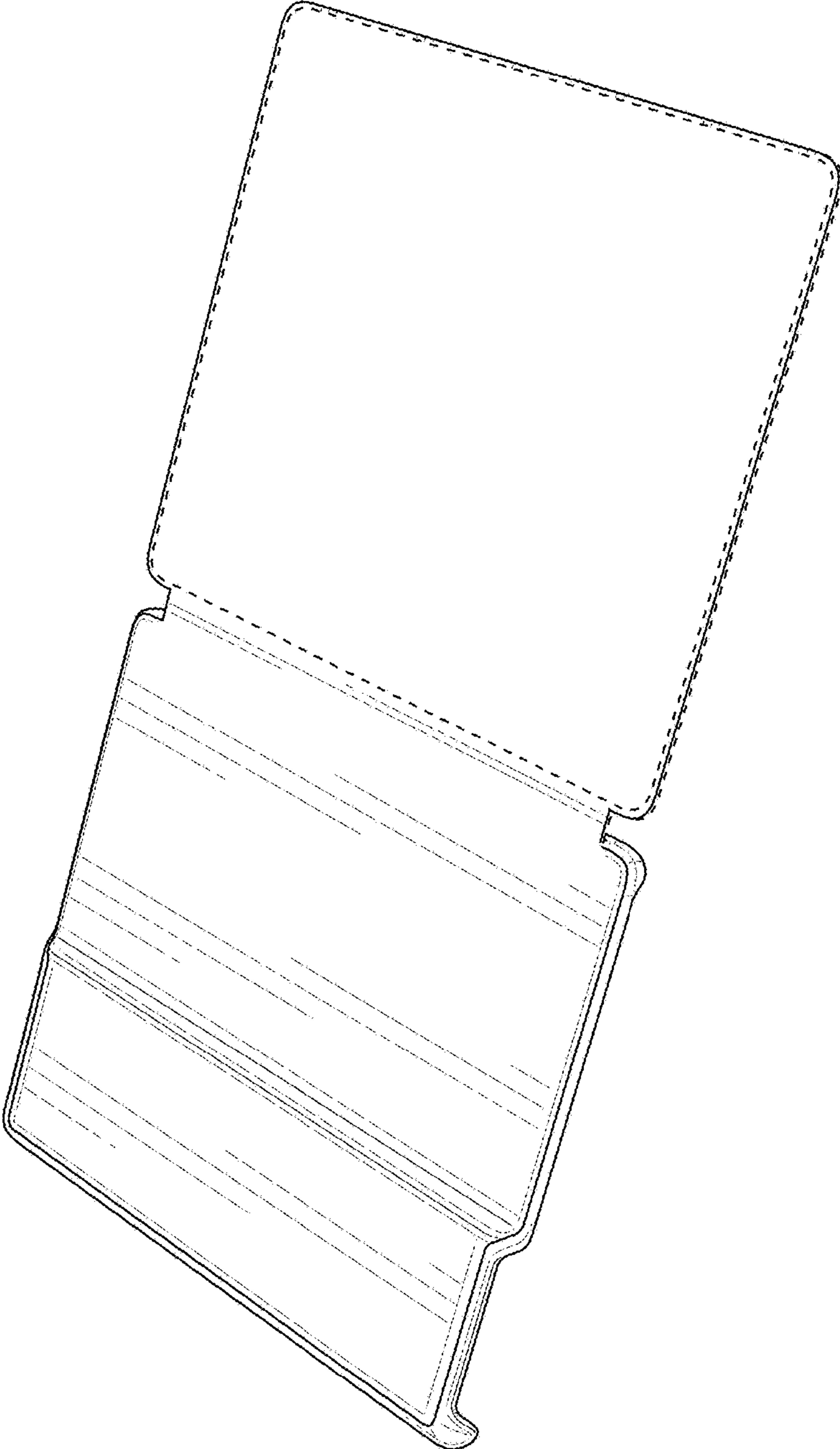


FIG. 10

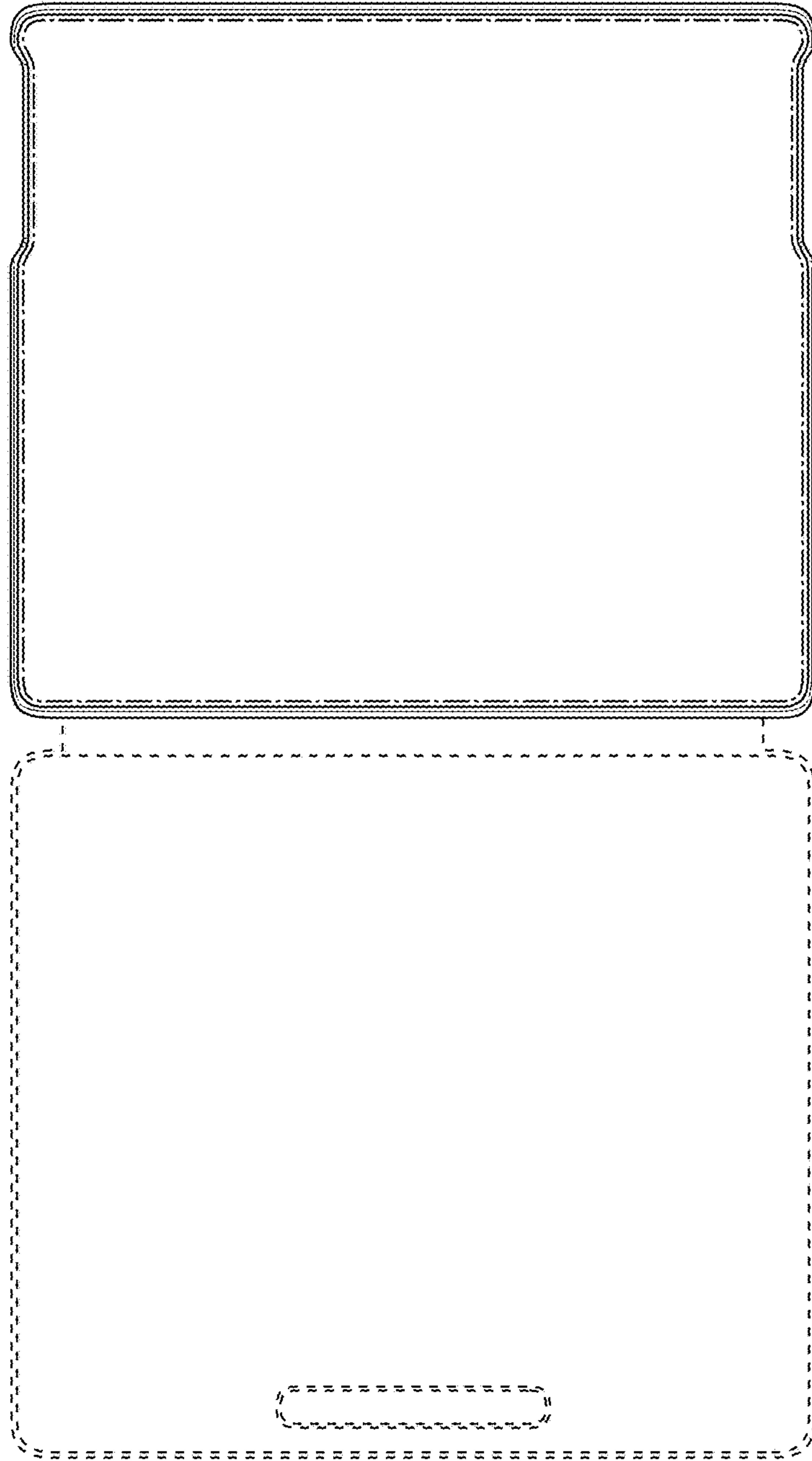


FIG. 11

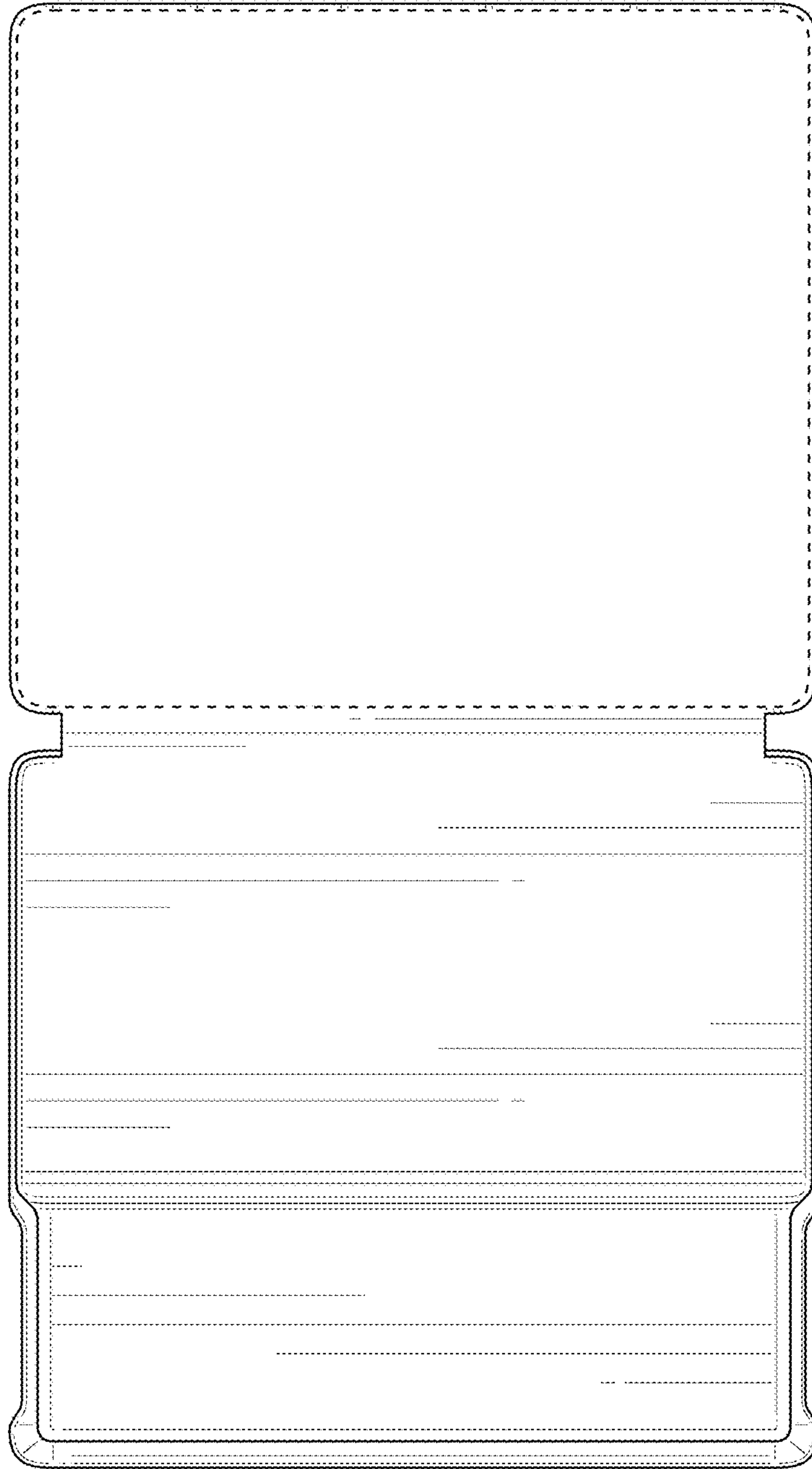


FIG. 12



FIG. 13



FIG. 14



FIG. 15



FIG. 16