



US00D850453S

(12) **United States Design Patent**
Wu

(10) **Patent No.:** **US D850,453 S**

(45) **Date of Patent:** **** Jun. 4, 2019**

(54) **MOBILE DEVICE CASE**

(71) Applicant: **Shenzhen Haike Electronic Commerce CO. LTD**, Shenzhen (CN)

(72) Inventor: **Hai Wu**, Shenzhen (CN)

(73) Assignee: **Shenzhen Haike Electronic Commerce CO. LTD**, Shenzhen (CN)

(**) Term: **15 Years**

(21) Appl. No.: **29/633,405**

(22) Filed: **Jan. 13, 2018**

(51) **LOC (11) Cl.** **14-02**

(52) **U.S. Cl.**
USPC **D14/440**

(58) **Field of Classification Search**
USPC D14/440, 250, 447; 206/45.23, 320,
206/45.2; 361/679.55; 294/25; 224/218
CPC ... G06F 1/1628; G06F 1/1626; A47B 23/044;
H04B 1/3888
See application file for complete search history.

(56) **References Cited**

U.S. PATENT DOCUMENTS

D689,499 S * 9/2013 Chen D14/440
D718,316 S * 11/2014 Veltz D14/440
D742,385 S * 11/2015 Chaney D14/440
D743,407 S * 11/2015 Lin G06F 1/1626
D14/440

D768,638 S * 10/2016 Lee D14/440
D787,497 S * 5/2017 Friedland D14/250
D812,618 S * 3/2018 Altaras D14/440
D812,619 S * 3/2018 Altaras D14/440
D812,620 S * 3/2018 Cheng D14/440
D815,100 S * 4/2018 Burmester D14/440
D818,525 S * 5/2018 Burmester D18/12
D820,267 S * 6/2018 Collins D14/440

* cited by examiner

Primary Examiner — Cynthia R Underwood

(74) *Attorney, Agent, or Firm* — Gokalp Bayramoglu

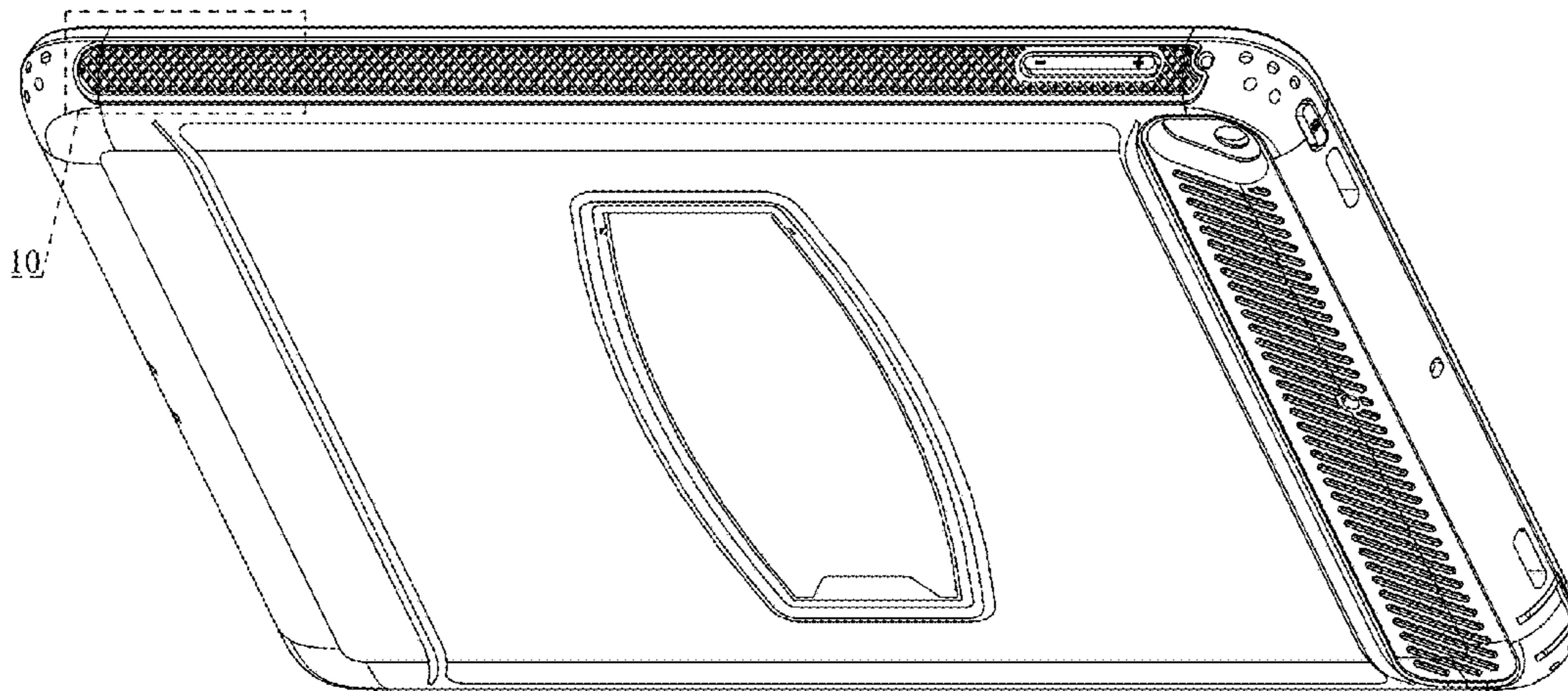
(57) **CLAIM**

The ornamental design for the mobile device case, as shown and described.

DESCRIPTION

FIG. 1 is a front view of the mobile device case showing the new design;
FIG. 2 is a rear view of the mobile device case;
FIG. 3 is a top view of the mobile device case;
FIG. 4 is a bottom view of the mobile device case;
FIG. 5 is a right view of the mobile device case;
FIG. 6 is a left view of the mobile device case;
FIG. 7 is a perspective view of the mobile device case;
FIG. 8 is a detailed enlarged view of FIG. 1;
FIG. 9 is another detailed enlarged view of FIG. 1; and,
FIG. 10 is a detailed enlarged view of FIG. 7.
The broken lines represent environment that forms no part of the claim.

1 Claim, 10 Drawing Sheets



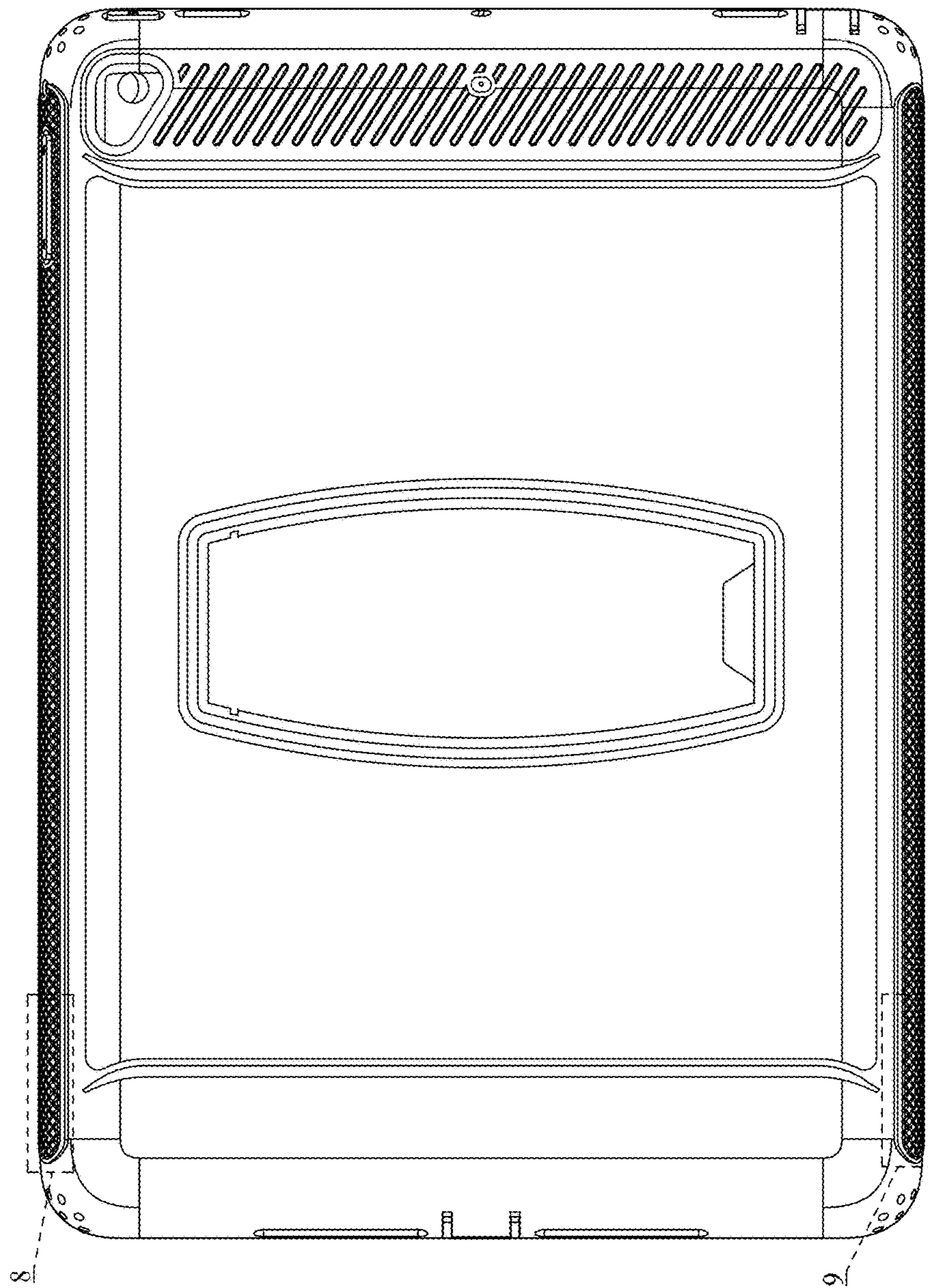


Figure 1

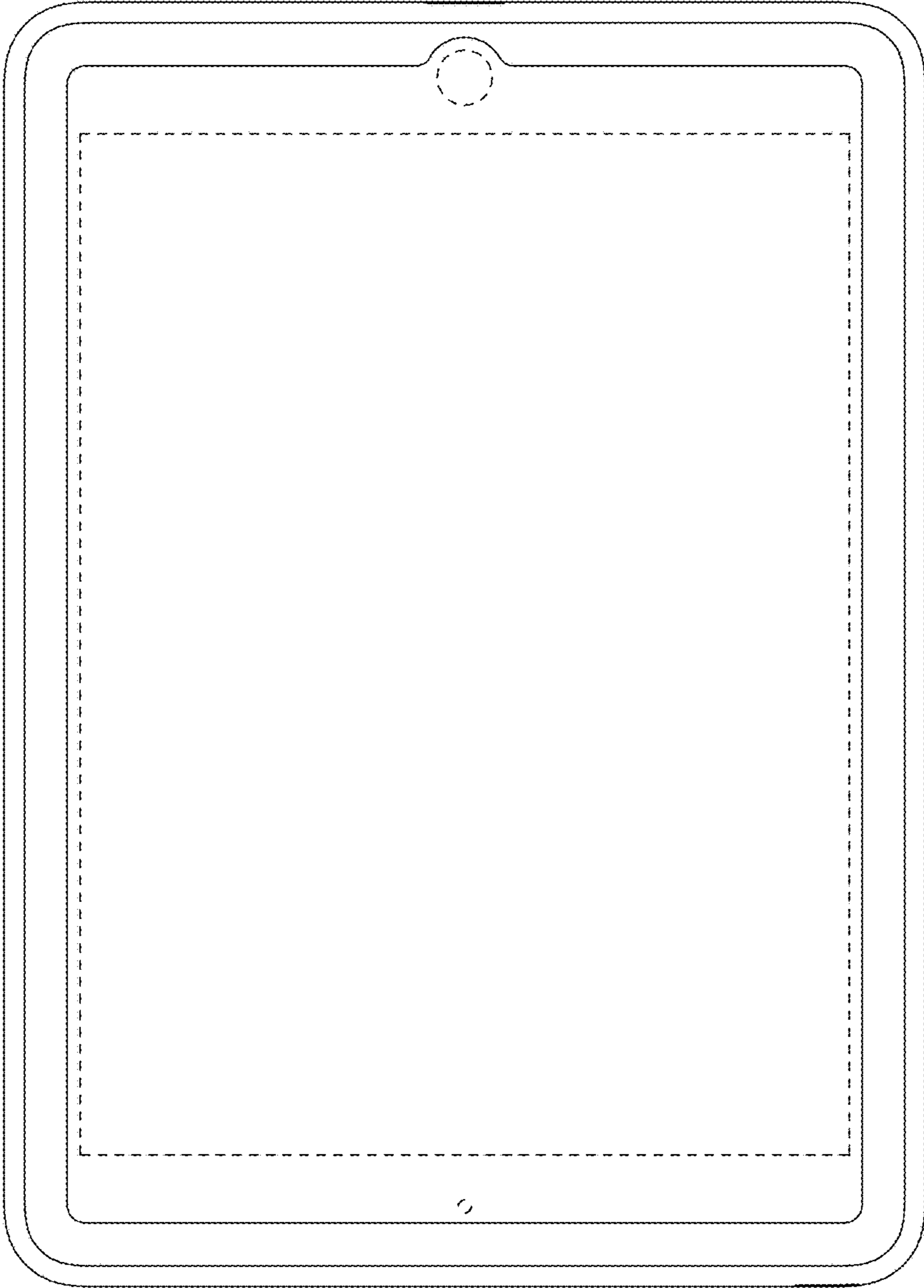


Figure 2

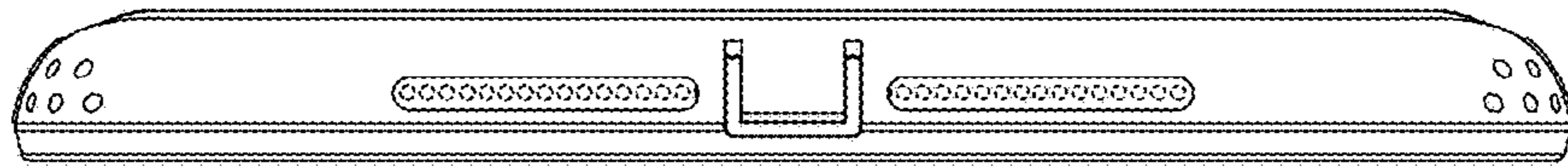


Figure 3

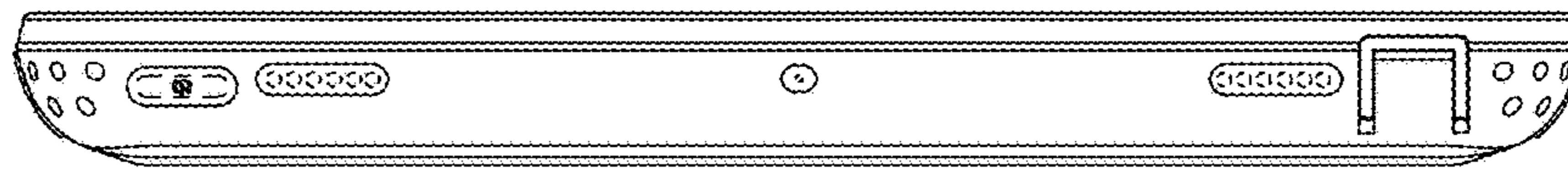


Figure 4

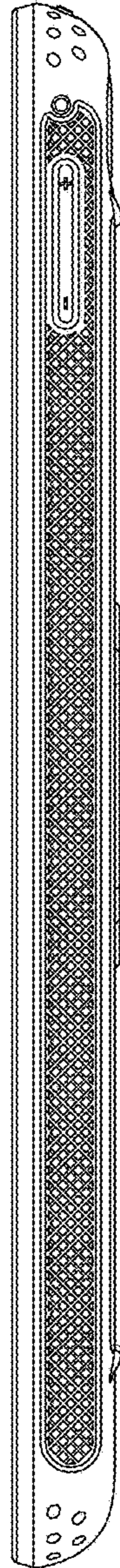


Figure 5

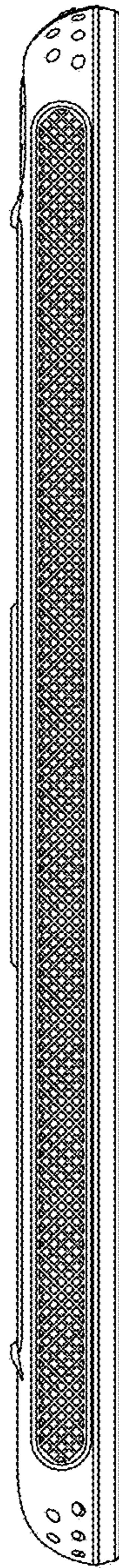


Figure 6

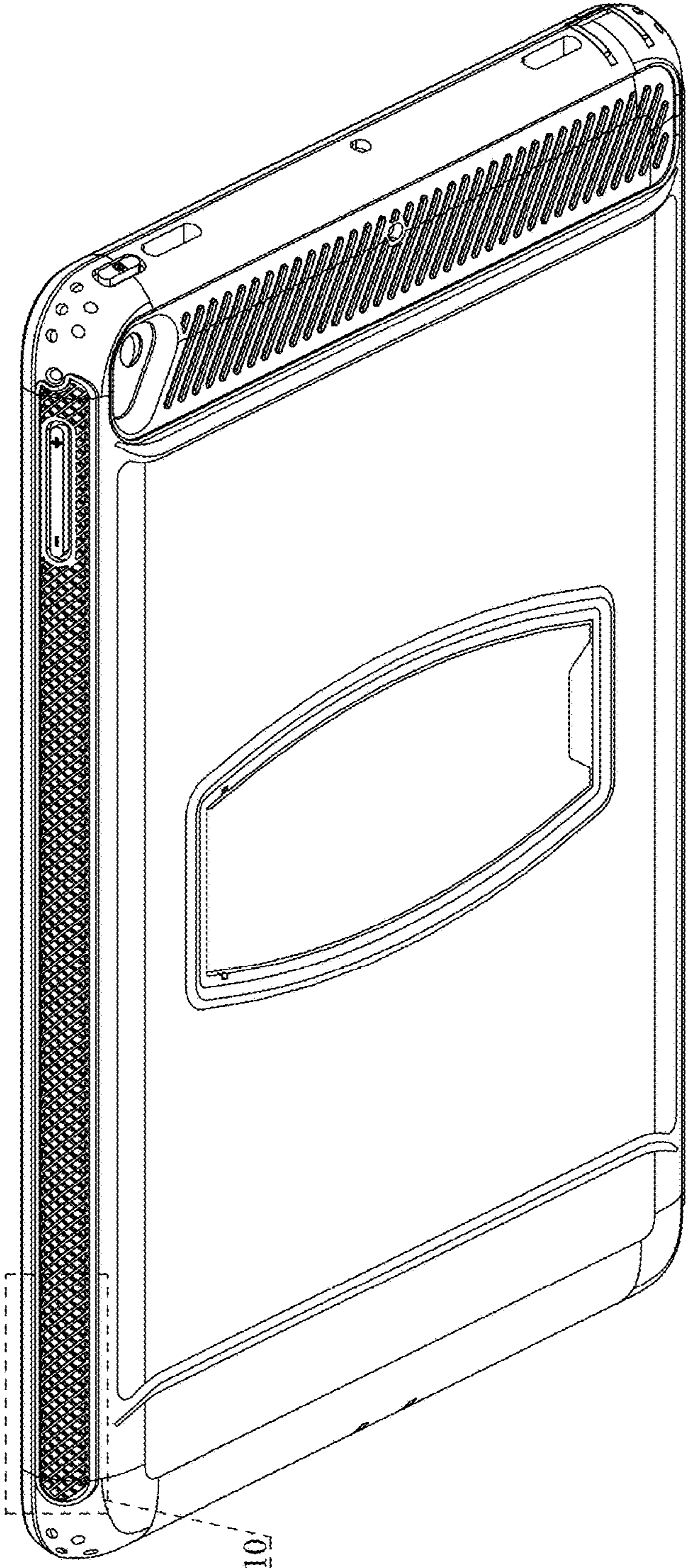


Figure 7

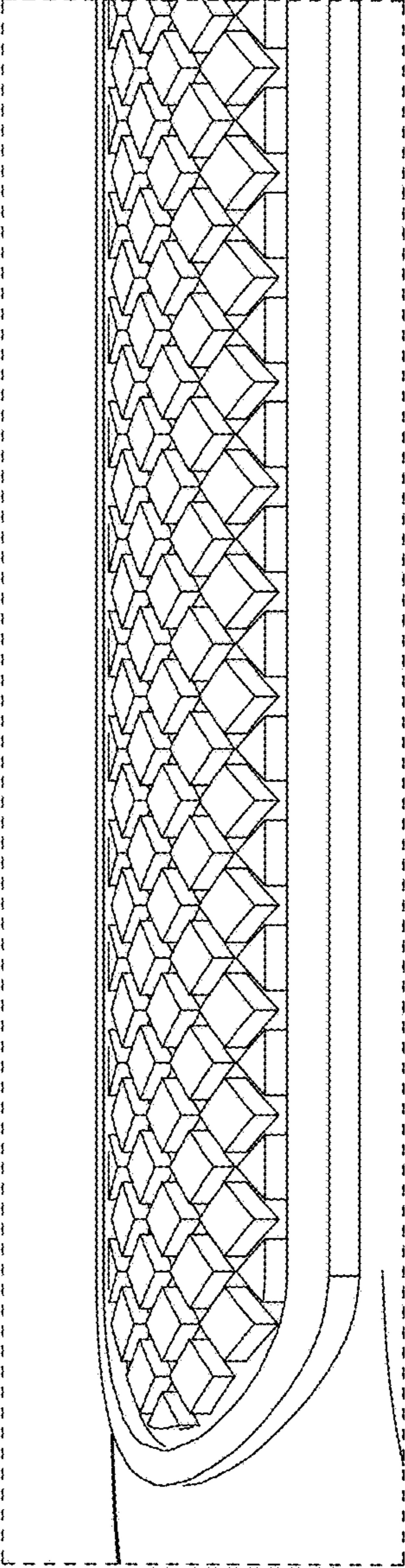


Figure 8

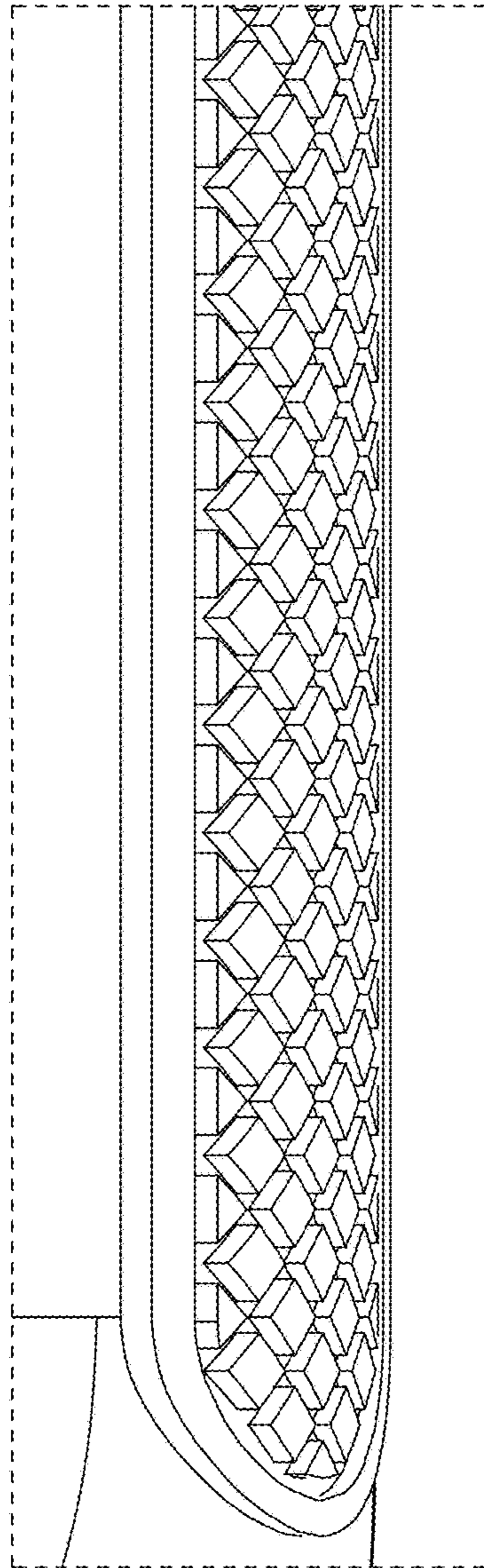


Figure 9

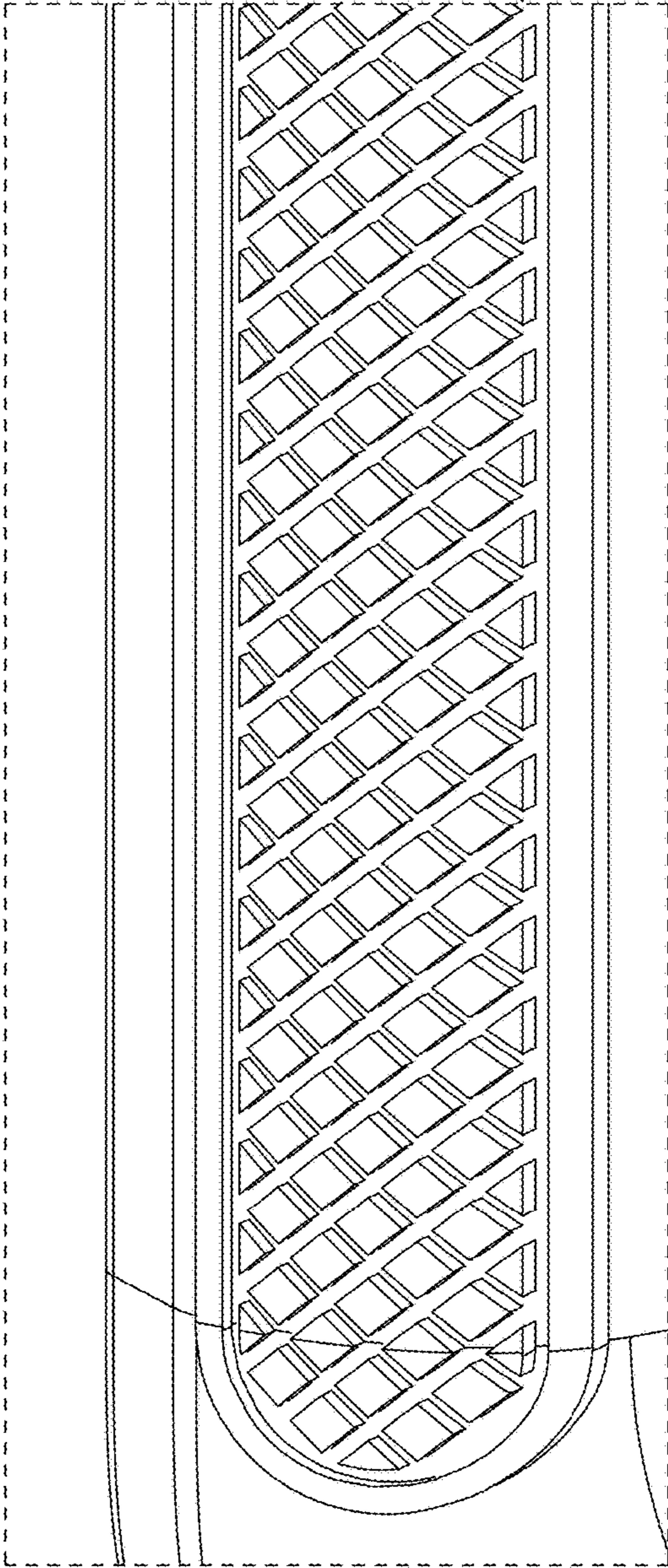


Figure 10