



US00D850452S

(12) **United States Design Patent** (10) **Patent No.:** **US D850,452 S**
Akana et al. (45) **Date of Patent:** **** Jun. 4, 2019**

(54) **COVER**

(71) Applicant: **Apple Inc.**, Cupertino, CA (US)
(72) Inventors: **Jody Akana**, San Francisco, CA (US); **Bartley K. Andre**, Palo Alto, CA (US); **Jeremy Bataillou**, San Francisco, CA (US); **Daniel J. Coster**, San Francisco, CA (US); **Daniele De Iuliis**, San Francisco, CA (US); **M. Evans Hankey**, San Francisco, CA (US); **Julian Hoenig**, San Francisco, CA (US); **Richard P. Howarth**, San Francisco, CA (US); **Jonathan P. Ive**, San Francisco, CA (US); **Duncan Robert Kerr**, San Francisco, CA (US); **Matthew Dean Rohrbach**, San Francisco, CA (US); **Peter Russell-Clarke**, San Francisco, CA (US); **Mikael Silvanto**, San Francisco, CA (US); **Christopher J. Stringer**, Woodside, CA (US); **Eugene Antony Whang**, San Francisco, CA (US); **Rico Zörkendörfer**, San Francisco, CA (US)

(73) Assignee: **Apple Inc.**, Cupertino, CA (US)

(**) Term: **15 Years**

(21) Appl. No.: **29/624,131**

(22) Filed: **Oct. 30, 2017**

Related U.S. Application Data

(63) Continuation of application No. 29/598,355, filed on Mar. 24, 2017, now Pat. No. Des. 801,343, which is (Continued)

(51) **LOC (11) Cl.** **14-02**

(52) **U.S. Cl.**
USPC **D14/440**

(58) **Field of Classification Search**
USPC D14/356, 432, 439, 440
(Continued)

(56) **References Cited**

U.S. PATENT DOCUMENTS

4,629,070 A 12/1986 Roberg
D393,875 S 4/1998 Brooks
(Continued)

FOREIGN PATENT DOCUMENTS

CH 137798-0001 4/2011
CL 201100054 1/2011
(Continued)

OTHER PUBLICATIONS

“Introducing the Convertible Magazine Jacket for iPad,” goincase.com, accessed at <http://goincase.com/blog/2010/11/23/introducing-the-convertible-magazine-jacket-for-ipad/>, posted Nov. 23, 2010.
(Continued)

Primary Examiner — Leanne Was-Englehart
(74) *Attorney, Agent, or Firm* — Sterne, Kessler, Goldstein & Fox P.L.L.C.

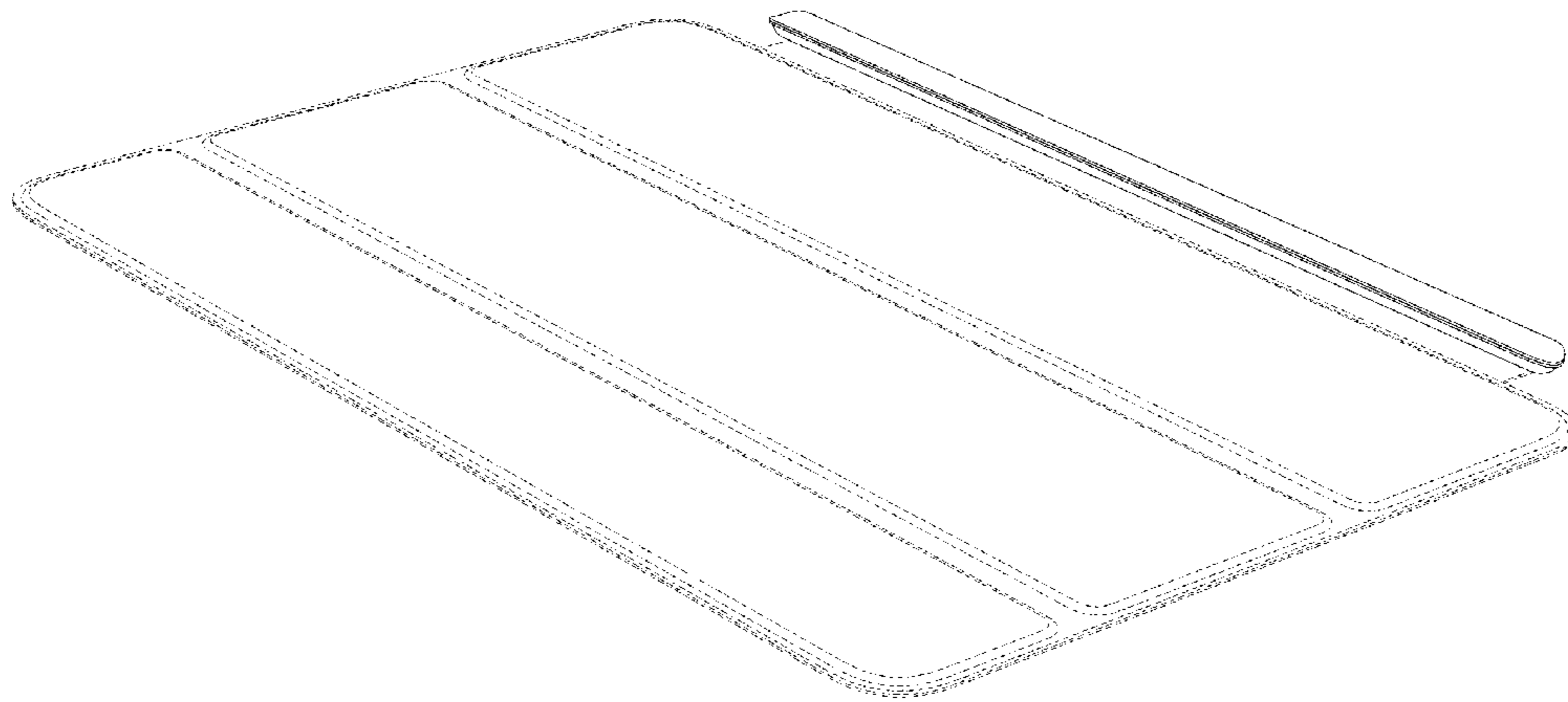
(57) **CLAIM**

The ornamental design for a cover, as shown and described.

DESCRIPTION

FIG. 1 is a bottom front perspective view of a cover showing the claimed design;
FIG. 2 is a top rear perspective view thereof;
FIG. 3 is a top front perspective view thereof;
FIG. 4 is a bottom rear perspective view thereof;
FIG. 5 is a front view thereof;
FIG. 6 is a rear view thereof;
FIG. 7 is a left side view thereof;
FIG. 8 is a right side view thereof;
FIG. 9 is a bottom view thereof; and,
FIG. 10 is a top view thereof.
The broken lines in the figures show portions of the cover that form no part of the claimed design.

1 Claim, 8 Drawing Sheets



Related U.S. Application Data

a continuation of application No. 29/541,555, filed on Oct. 5, 2015, now Pat. No. Des. 784,995, which is a continuation of application No. 29/492,447, filed on May 30, 2014, now Pat. No. Des. 740,292, which is a continuation of application No. 29/431,559, filed on Sep. 7, 2012, now Pat. No. Des. 706,270.

- (58) **Field of Classification Search**
 CPC A45C 2011/003; G06F 1/1628; G06F 2200/1633
 See application file for complete search history.

(56) **References Cited**

U.S. PATENT DOCUMENTS

D418,867	S	1/2000	Platte, III	
D533,347	S	12/2006	Andre et al.	
D560,383	S	1/2008	Woods	
D564,223	S	3/2008	Messineo	
D566,111	S	4/2008	Nakagawa	
7,398,868	B2	7/2008	Morszeck	
D596,305	S	7/2009	Usui et al.	
D602,598	S	10/2009	Yim	
D603,906	S	11/2009	Miller et al.	
D606,121	S	12/2009	Miller et al.	
D607,255	S	1/2010	Sunseri	
D609,912	S	2/2010	Kyono et al.	
D624,615	S	9/2010	Kusmierz	
D627,775	S	11/2010	Li	
D628,004	S	11/2010	Moorefield	
D628,132	S	11/2010	Grzyb et al.	
D628,197	S	11/2010	Li	
D629,195	S	12/2010	Jusic	
D633,673	S	3/2011	McKnight	
D635,135	S	3/2011	Li	
D635,564	S	4/2011	Li	
D658,186	S *	4/2012	Akana	D14/440
D658,187	S *	4/2012	Diebel	G06F 1/1679 D14/440
D658,188	S *	4/2012	Diebel	D14/440
D660,833	S	5/2012	Bau	
D662,100	S *	6/2012	Van Den Nieuwenhuizen	D14/440
D663,304	S *	7/2012	Akana	D14/440
D671,114	S	11/2012	Akana et al.	
D671,948	S *	12/2012	Akana	D14/440
D678,300	S	3/2013	Groene et al.	
D679,715	S	4/2013	Akana et al.	
D681,641	S *	5/2013	Van Den Nieuwenhuizen	D14/440
D682,836	S *	5/2013	Akana	D14/440
D682,838	S *	5/2013	Akana	D14/440
D688,251	S *	8/2013	Akana	D14/440
D688,669	S	8/2013	Akana et al.	
D689,498	S *	9/2013	Akana	D14/440
D691,142	S	10/2013	Diebel	
D691,143	S *	10/2013	Diebel	D14/440
D695,745	S *	12/2013	Kim	D14/440
D696,253	S	12/2013	Akana et al.	
D696,669	S *	12/2013	Akana	D14/440
D701,205	S	3/2014	Akana et al.	
D706,270	S *	6/2014	Akana	D14/440
D708,172	S *	7/2014	Ryu	D14/250
D711,887	S *	8/2014	Akana	D14/440
D713,402	S *	9/2014	Akana et al.	
D713,848	S *	9/2014	Akana	D14/440

D719,956	S *	12/2014	Akana	D14/440
D720,355	S *	12/2014	Akana	D14/440
D722,057	S *	2/2015	Schoenith	D14/440
D723,038	S *	2/2015	Kim	D14/440
D723,041	S *	2/2015	Kim	D14/440
D731,485	S	6/2015	Kim et al.	
D735,205	S	7/2015	Akana et al.	
D740,060	S *	10/2015	Akana	D6/682.5
D740,292	S	10/2015	Akana et al.	
D743,391	S *	11/2015	Akana	D14/341
D750,632	S *	3/2016	Diebel	D14/440
D770,457	S *	11/2016	Massucco	D14/440
D773,470	S	12/2016	Akana et al.	
D779,485	S *	2/2017	Akana	D14/345
D784,348	S *	4/2017	Zhang	D14/440
D784,995	S *	4/2017	Akana	D14/440
D832,836	S *	11/2018	Akana	D14/345
2005/0246851	A1	11/2005	Cline	
2009/0000169	A1	1/2009	Houssain et al.	
2009/0107858	A1	4/2009	Huang	
2012/0194448	A1	8/2012	Rothkopf	
2017/0068282	A1 *	3/2017	Smith	G06F 1/1669

FOREIGN PATENT DOCUMENTS

CL	201100055	1/2011
CL	201100559	3/2011
EM	001296156-0004	1/2012
EM	001325468-00010	6/2012
GB	4020173	6/2011
JP	D1466180	3/2011
KR	30-0658444	8/2012
TW	D150510	12/2012

OTHER PUBLICATIONS

“Original Targus Folding Genuine Leather Case for Apple iPad with Built-in Holder,” www.case-parts.com, accessed at [http://www.case-parts.com/details/Original-Targus-Folding-Genuine-Leather-Case-for-Ap . . . /](http://www.case-parts.com/details/Original-Targus-Folding-Genuine-Leather-Case-for-Ap.../), accessed on Mar. 25, 2011.

“Wooden iPad 2 Case,” <http://gadgetsin.com/mini-wooden-ipad-2-case.htm>; dated Dec. 6, 2011.

“Marware Microshell Folio Case for the new iPad (iPad3)—Instructional Video,” www.youtube.com/watch?v=ptMyEEOcMP8; dated Mar. 16, 2012.

“The Bendy Wooden iPad case now with added hinge,” <http://www.cultofmac.com/165911/mini-ot-mk2-the-bendy-wooden-ipad-case-now-with-added-hinge/>; dated May 9, 2012.

“Lenovo’s Transformer-Like IdeaTab S2110 Now Available for \$343 (This One’s a Looker);” <http://phandroid.com/2012/07/23/lenovos-transformer-like-ideatab-s2110-now-available-for-343-this-ones-a-looker/ideatab-s2110-tablet-pc-cover-11i-940x475/>; dated Jul. 23, 2012; accessed Mar. 6, 2014.

“Marware Microshell Folio New iPad Case Review HD;” www.youtube.com/watch?v=k40B5C5Xq7U; dated Jul. 27, 2012.

“The New iPad Leather Case Leinwand Series;” <http://aspotter.com/2012/08/11/the-new-ipad-leather-case-leinwand-series-by-spigenreview/>; dated Aug. 11, 2012.

“Marware MicroShell for the New iPad;” dated May 27, 2012; accessed at <http://www.youtube.com/watch?v=W2v13GIHWEU>; accessed on Aug. 6, 2013.

“Speck PixelSkin HD Wrap iPad 2 Case,” <http://gadgetsin.com/speck-pixelskin-hd-wrap-ipad-2-case.htm>, dated Mar. 17, 2011, accessed on Mar. 6, 2014.

* cited by examiner

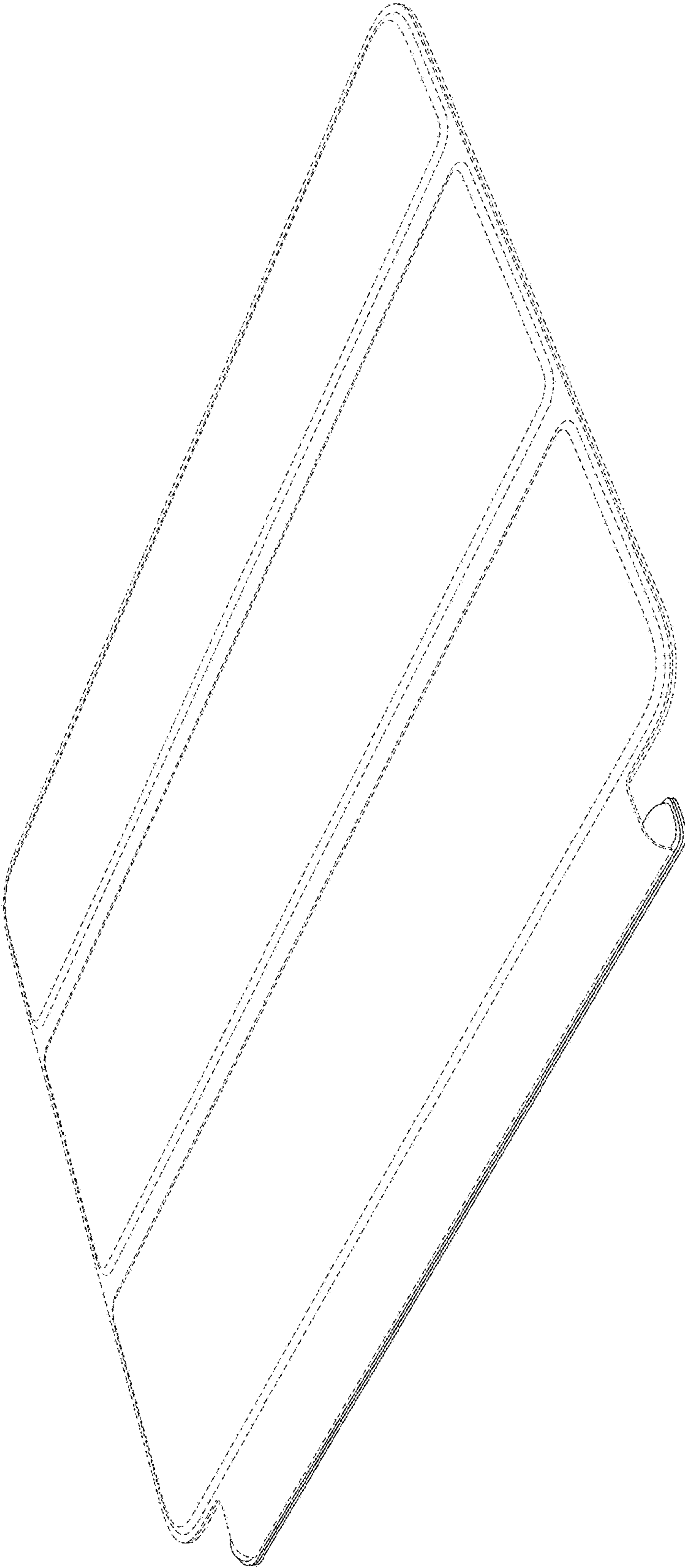


FIG. 1

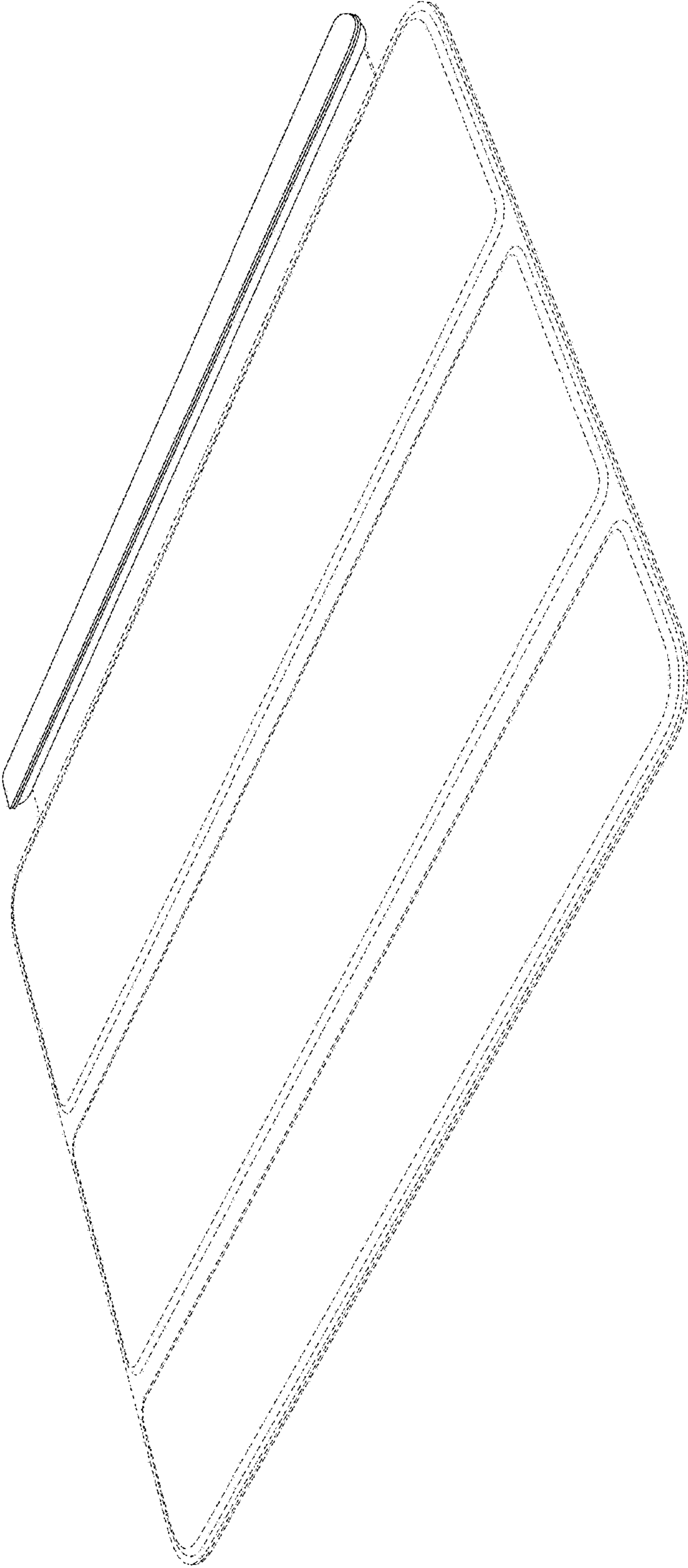


FIG. 2

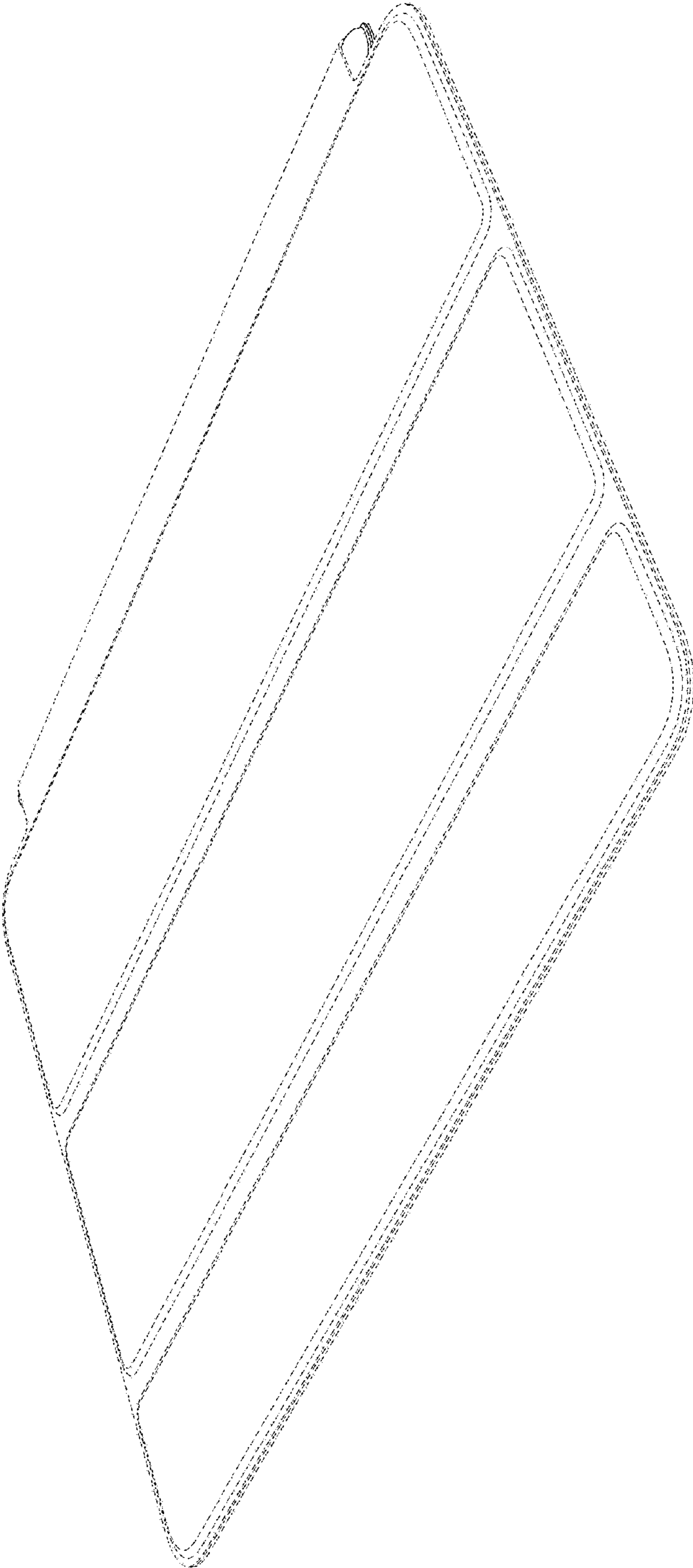


FIG. 3

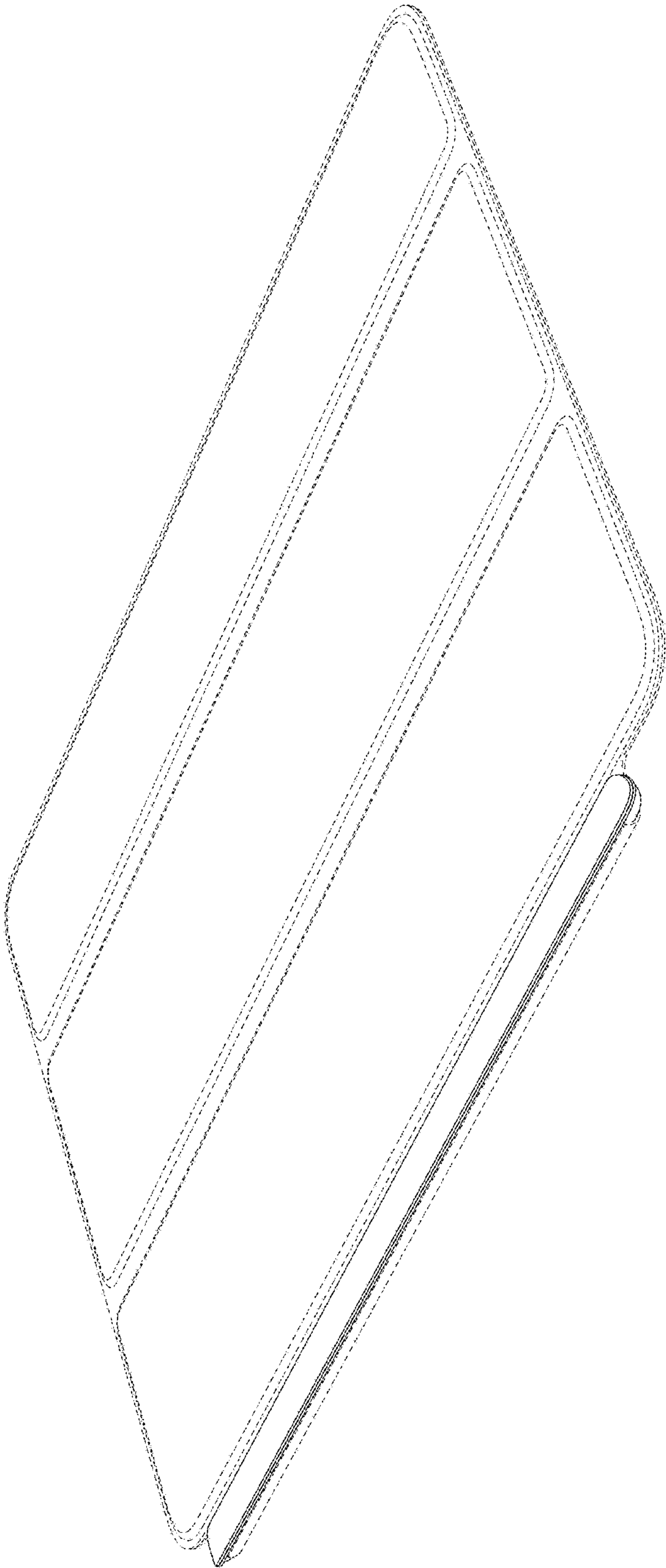


FIG. 4

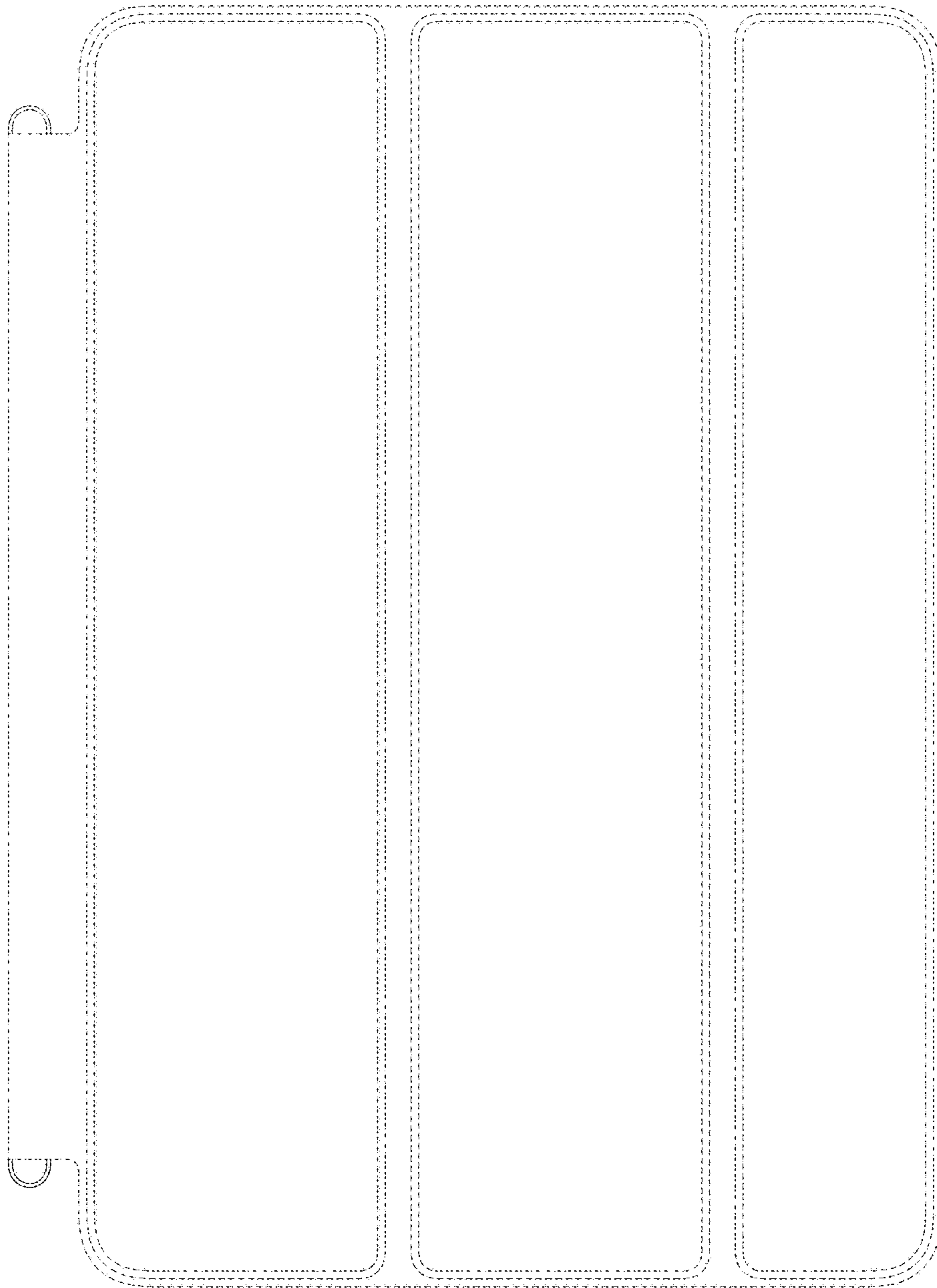


FIG. 5

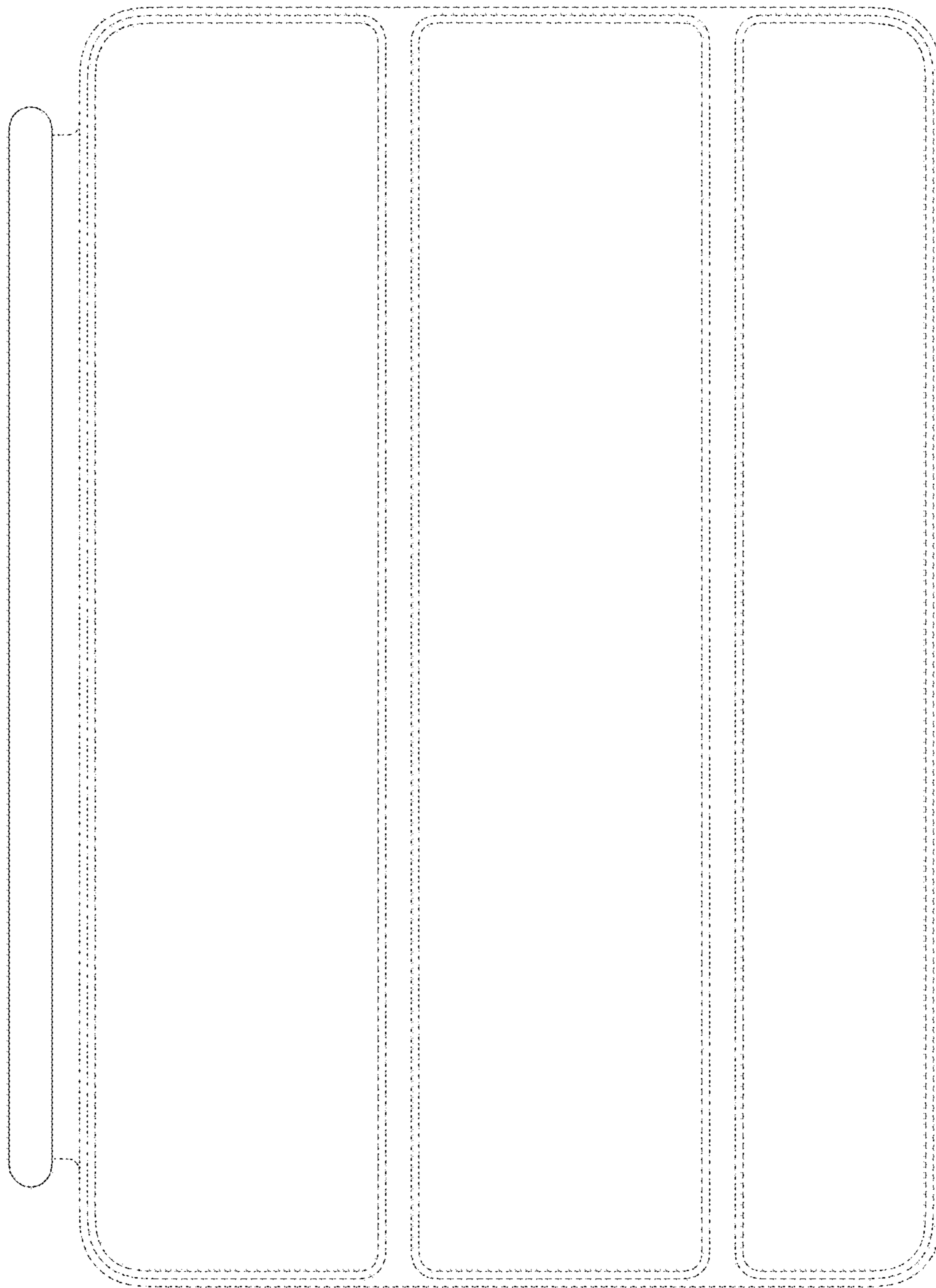


FIG. 6

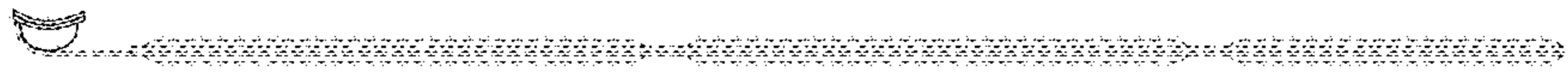


FIG. 7

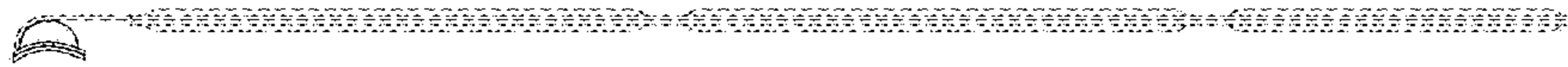


FIG. 8

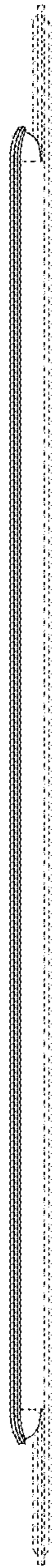


FIG. 9

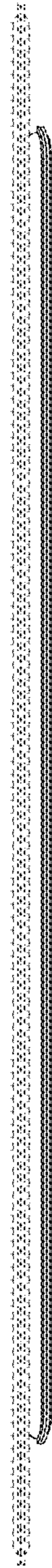


FIG. 10