



US00D850450S

(12) **United States Design Patent**  
**Green**

(10) **Patent No.:** **US D850,450 S**

(45) **Date of Patent:** **\*\* Jun. 4, 2019**

(54) **HERMETICALLY SEALED DATA PLUG WITH A TAG ATTACHMENT LOOP**

(71) Applicant: **Gregory Green**, Reno, NV (US)

(72) Inventor: **Gregory Green**, Reno, NV (US)

(\*\*) Term: **15 Years**

(21) Appl. No.: **29/616,875**

(22) Filed: **Sep. 9, 2017**

(51) **LOC (11) Cl.** ..... **14-02**

(52) **U.S. Cl.**  
USPC ..... **D14/433**

(58) **Field of Classification Search**  
USPC .... D14/356, 432-434, 453, 454, 511, 203.8,  
D14/209.1, 238.1, 240, 125; 439/638,  
439/928, 105, 502; 710/303, 304;  
D13/110, 133, 146, 123, 162  
CPC ... H04L 12/2832; H04L 12/2838; G06F 3/00;  
G06F 5/00; G06F 13/14  
See application file for complete search history.

(56) **References Cited**

U.S. PATENT DOCUMENTS

D701,863 S *	4/2014	Byrne	.....	D14/433
D702,242 S *	4/2014	Tsuda	.....	D14/433
D727,906 S *	4/2015	Neumann	.....	D14/358
D732,536 S *	6/2015	Kang	.....	D14/433
9,281,603 B2	3/2016	Cullins		
D753,662 S *	4/2016	Arrington	.....	D14/433
D768,636 S *	10/2016	Sato	.....	D14/433

D803,839 S *	11/2017	Lin	.....	D14/433
D819,631 S *	6/2018	Matsumiya	.....	D14/357
D833,445 S *	11/2018	Xie	.....	D14/433
D834,518 S *	11/2018	Hung	.....	D13/133
D837,216 S *	1/2019	Bagley	.....	D14/433
D837,789 S *	1/2019	Woody	.....	D14/433

\* cited by examiner

*Primary Examiner* — Austin Murphy

(74) *Attorney, Agent, or Firm* — QuickPatents, LLC;  
Kevin Prince

(57) **CLAIM**

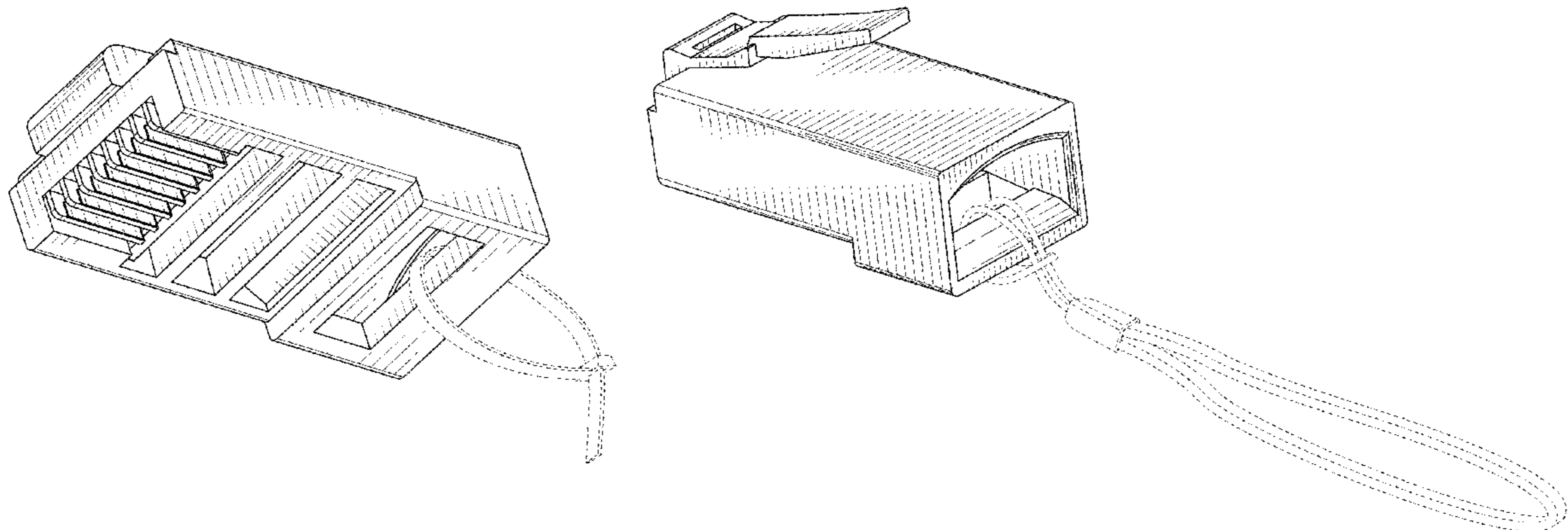
I claim the ornamental design for a hermetically sealed data plug with a tag attachment loop, as shown and described.

**DESCRIPTION**

FIG. 1 is a bottom perspective view of a hermetically sealed data plug with a tag attachment loop, showing my new design;  
FIG. 2 is a top perspective view thereof;  
FIG. 3 is a front elevational view thereof;  
FIG. 4 is a rear elevational view thereof;  
FIG. 5 is a left-side elevational view thereof, the right-side elevational view being a mirror image thereof;  
FIG. 6 is a top plan view thereof,  
FIG. 7 is a bottom plan view thereof; and,  
FIG. 8 is a cross-sectional view thereof, taken along line 8-8 of FIG. 6.

The broken lines showing a first tag in FIG. 1 and a second tag in FIG. 2 depict environmental matter and form no part of the claimed design.

**1 Claim, 5 Drawing Sheets**



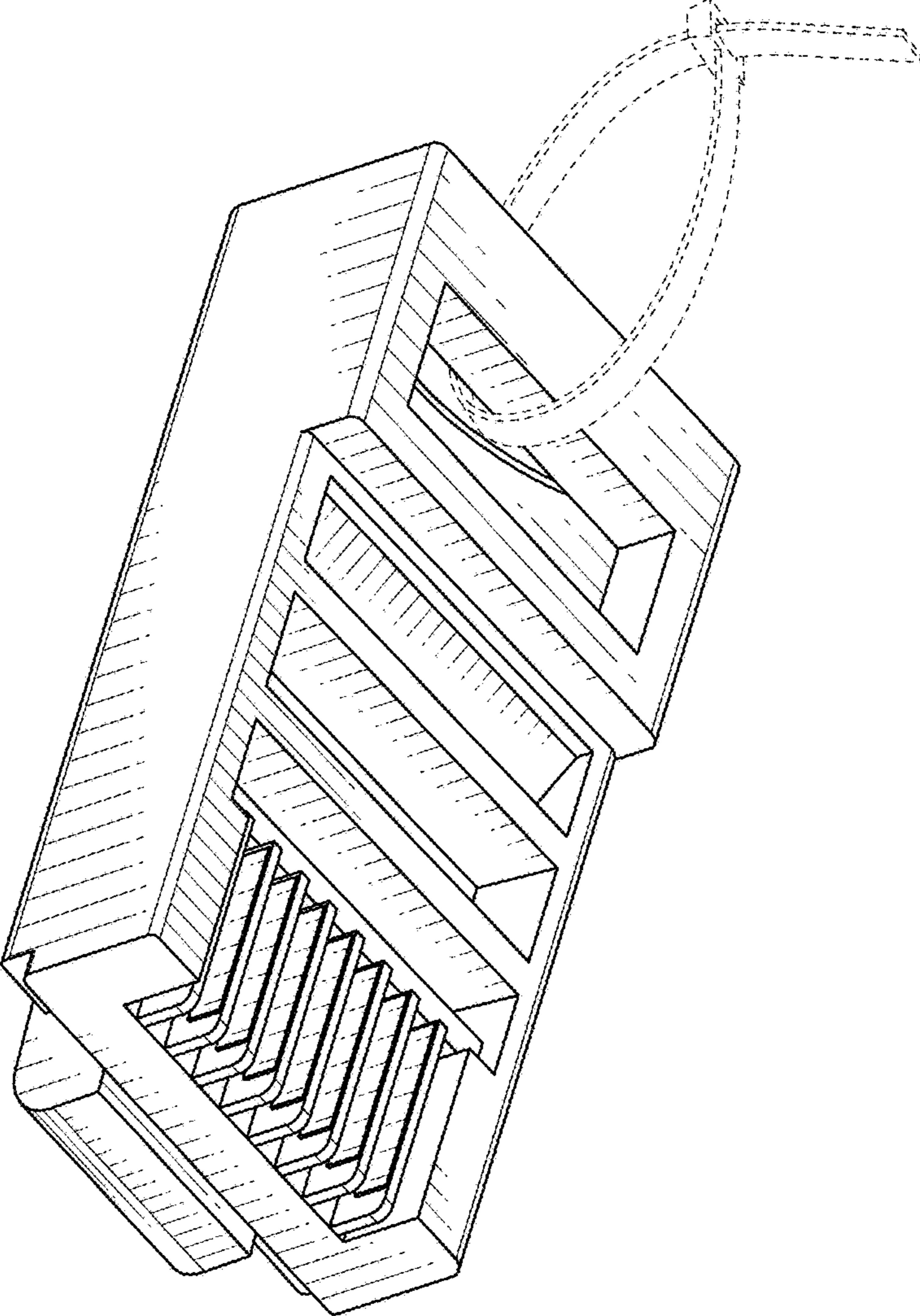


FIG. 1

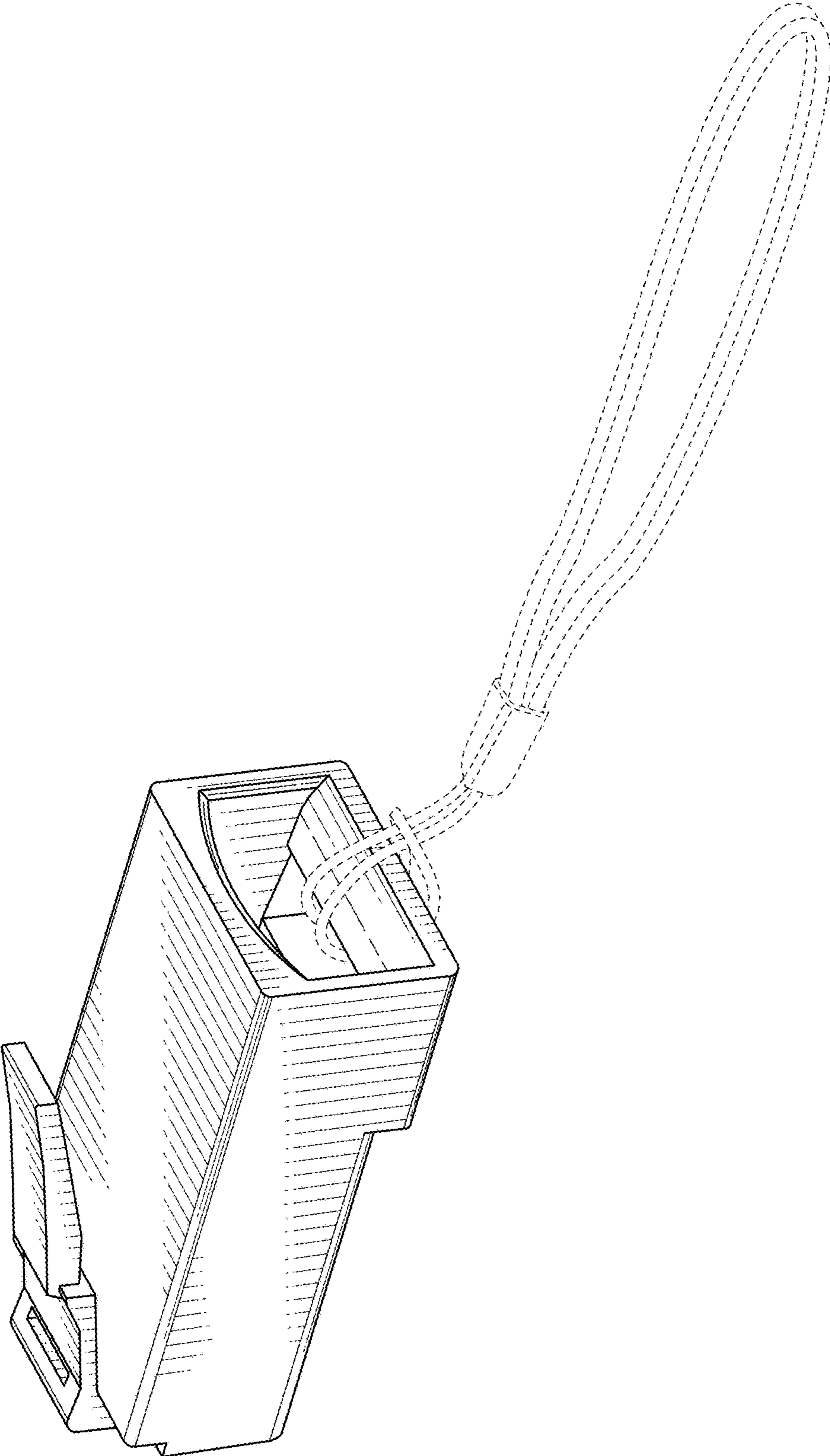


FIG. 2

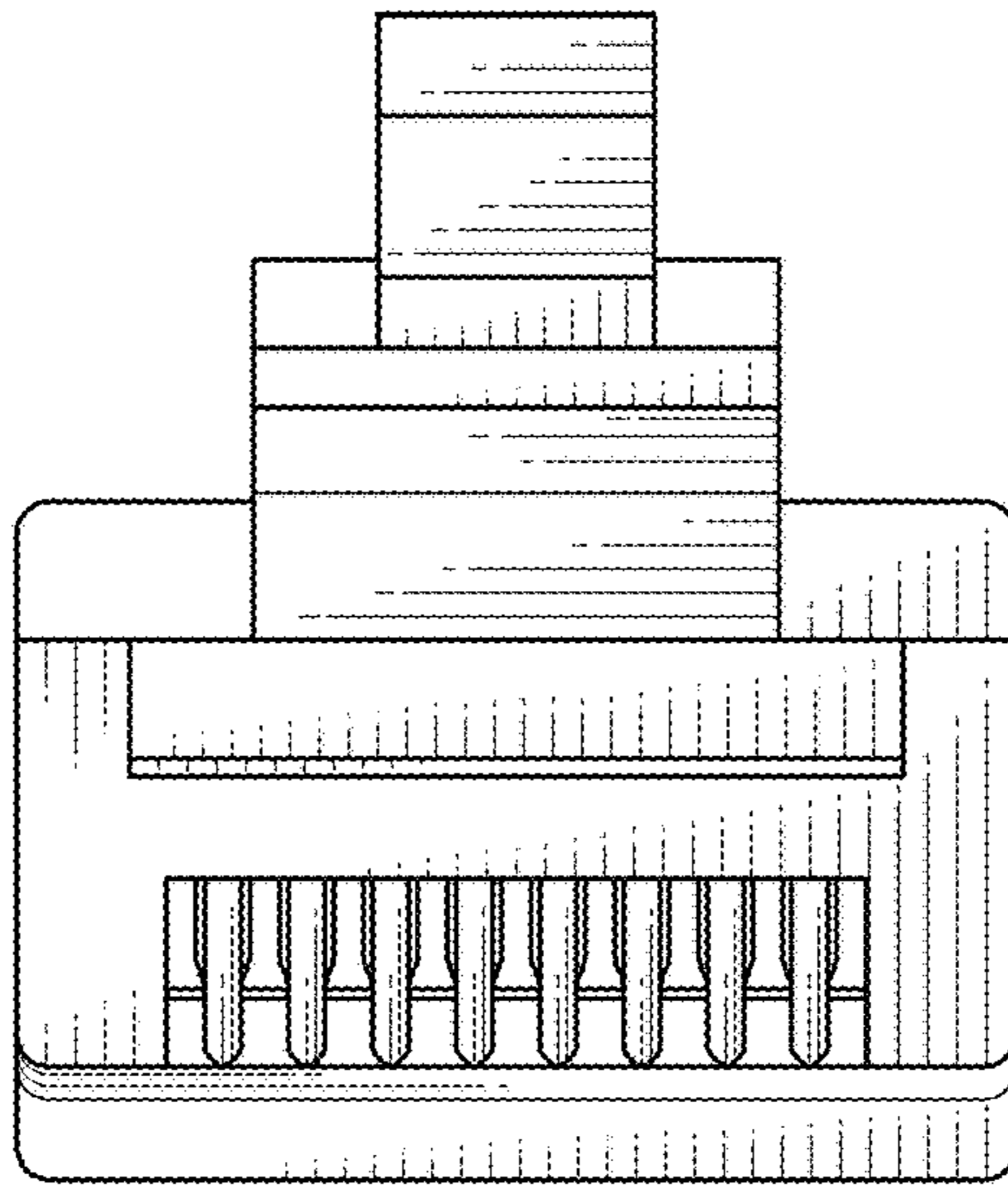


FIG. 3

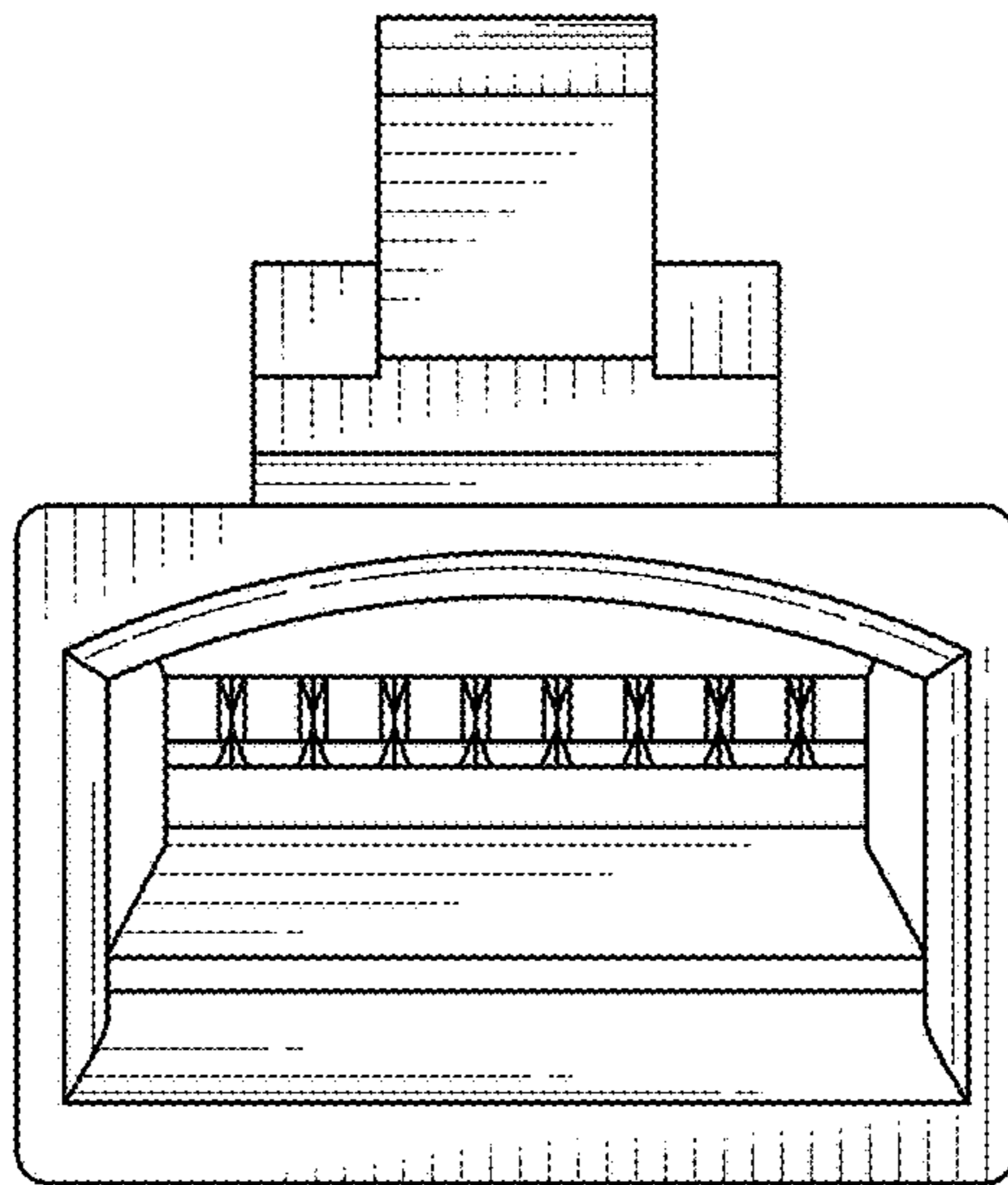


FIG. 4

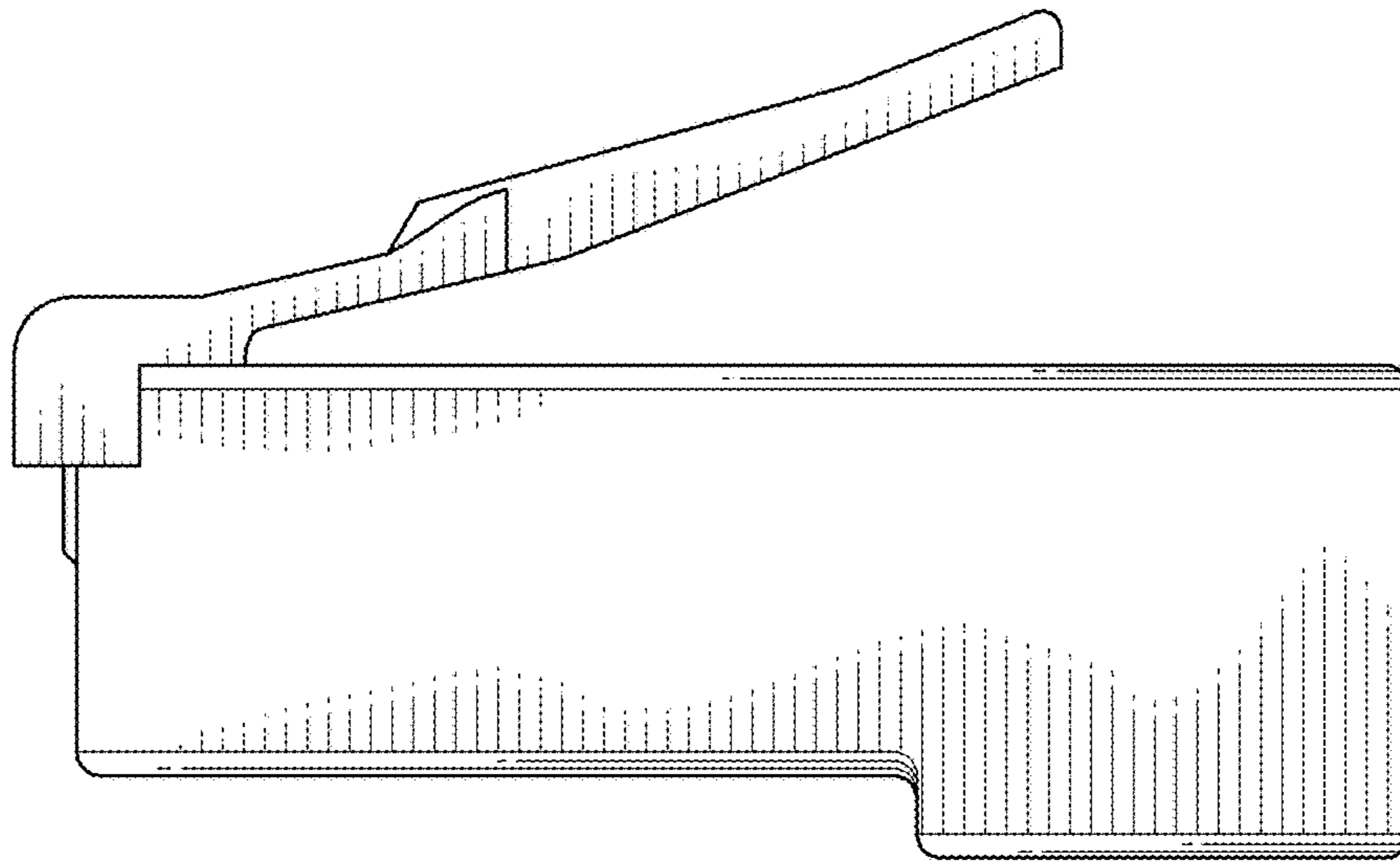
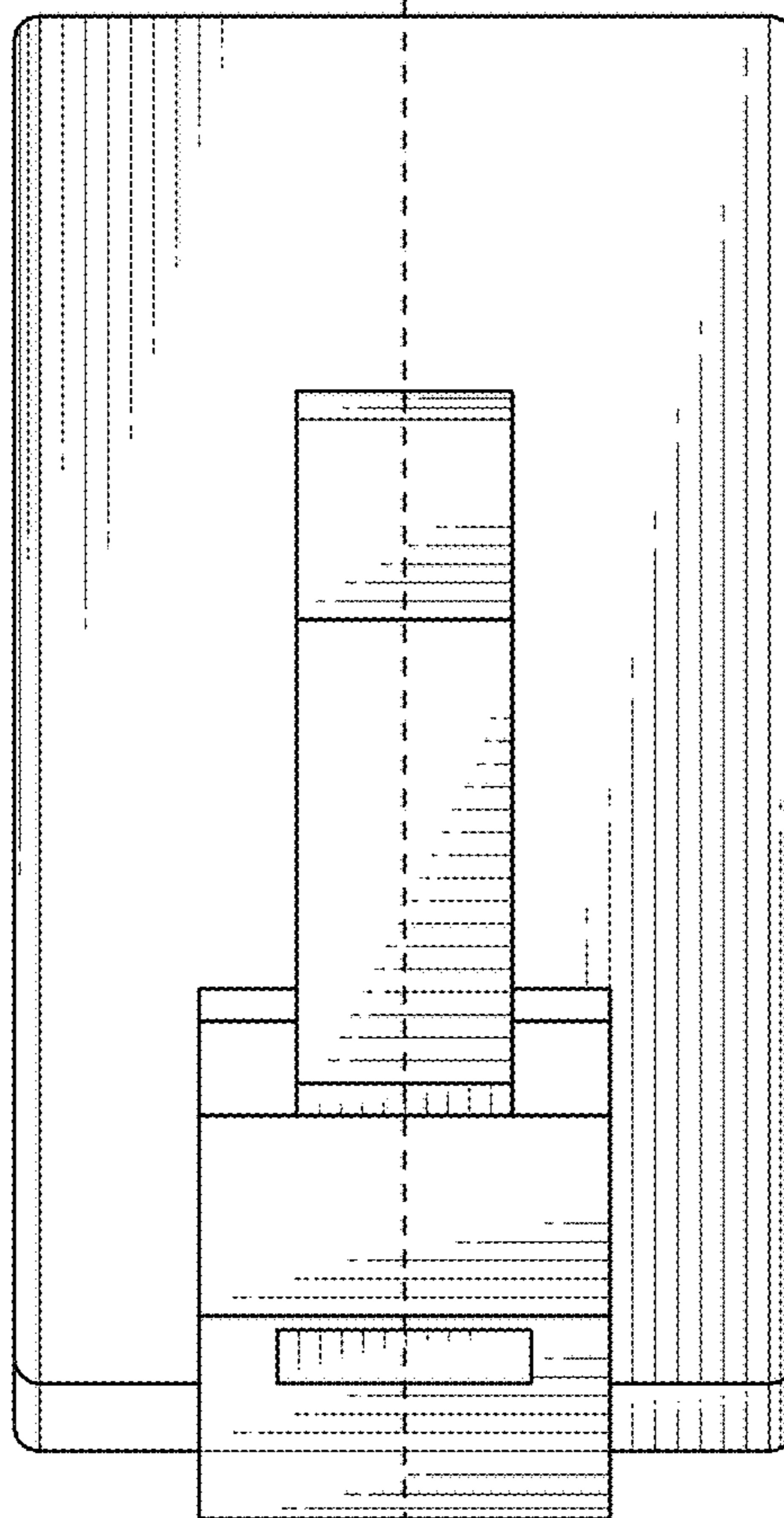


FIG. 5

8



8

FIG. 6

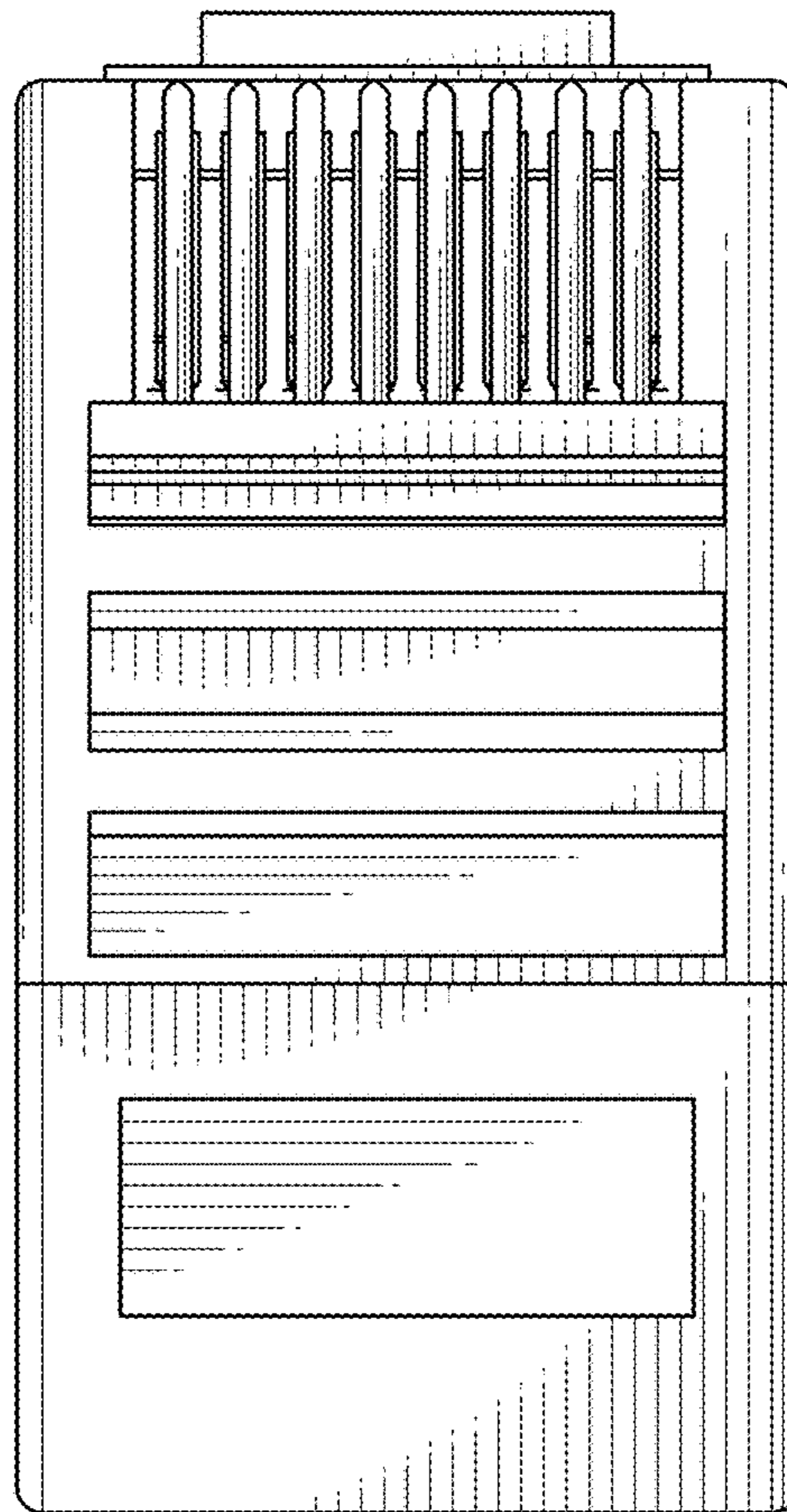


FIG. 7

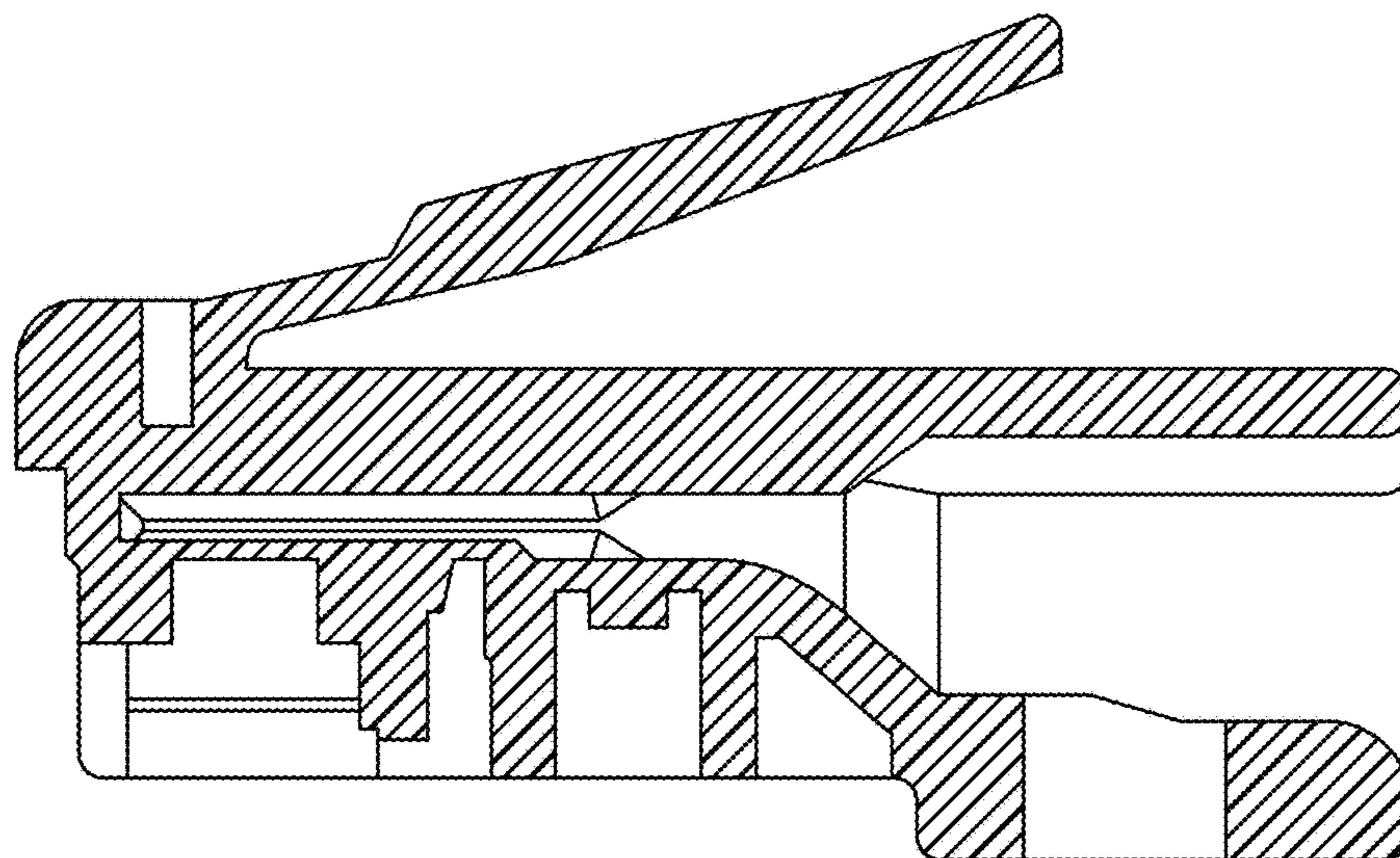


FIG. 8