



US00D850449S

(12) **United States Design Patent**
Nauroy

(10) **Patent No.:** **US D850,449 S**
(45) **Date of Patent:** **** Jun. 4, 2019**

- (54) **CABLE HAVING ANCHOR ELEMENT**
- (71) Applicant: **Design Pool Limited**, Sheung Wan (HK)
- (72) Inventor: **Fabien Malcom Nauroy**, Sheung Wan (HK)
- (73) Assignee: **DESIGN POOL LIMITED**, Sheung Wan (HK)
- (**) Term: **15 Years**
- (21) Appl. No.: **29/595,903**
- (22) Filed: **Mar. 2, 2017**
- (30) **Foreign Application Priority Data**

4,207,715	A *	6/1980	Kitrick	E04B 1/19
					428/542.2
6,379,212	B1 *	4/2002	Miller	A63H 33/084
					446/85
D522,240	S *	6/2006	Laval	D3/271.1
D632,027	S *	2/2011	Johnston	D30/121
D634,370	S *	3/2011	Gebhart	D21/373
D653,290	S *	1/2012	Han	D19/62
D743,970	S *	11/2015	Cepress	D14/480.2
D779,492	S *	2/2017	Lin	D14/433
D785,633	S *	5/2017	Komuro	D14/433
D793,399	S *	8/2017	Feldstein	D14/433
D800,731	S *	10/2017	He	D14/433
D801,443	S *	10/2017	Du Toit	D21/499
D810,086	S *	2/2018	Xie	D14/433
D810,748	S *	2/2018	Zhang	D14/433
D810,749	S *	2/2018	Zhang	D14/433
D814,471	S *	4/2018	Kim	D14/433
D824,388	S *	7/2018	Fawcett	D14/433
D824,909	S *	8/2018	Namala	D14/433

(Continued)

Sep. 2, 2016 (HK) 1601675.0M001-M002

- (51) **LOC (11) Cl.** **14-02**
- (52) **U.S. Cl.**
USPC **D14/433**
- (58) **Field of Classification Search**
USPC D14/240, 242, 356, 358, 363, 365, 367,
D14/370, 432, 437, 439, 498, 125, 366;
D13/110, 199, 103, 159, 160, 184;
361/683, 684, 686, 724, 735, 737, 752
CPC H01R 25/006; H01R 27/02; H01R 31/005;
G06F 13/4022; G06F 13/382; G06F
1/1632; G06F 1/1684; G06F 1/20; G06F
1/1607
See application file for complete search history.

Primary Examiner — Austin Murphy

(74) *Attorney, Agent, or Firm* — Joseph G. Chu; JCIP

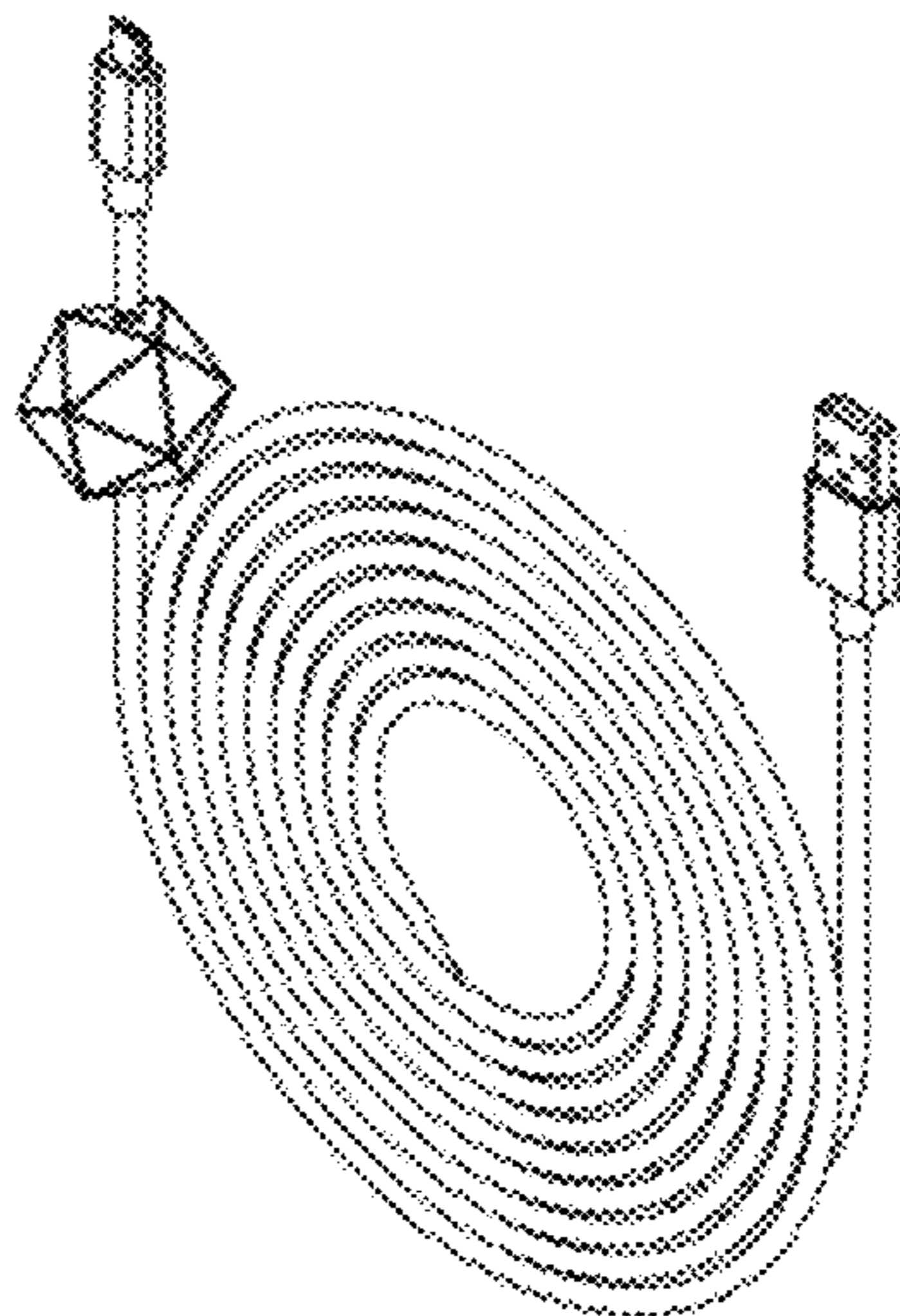
(57) **CLAIM**

We claim the ornamental design for the cable having anchor element, as shown and described.

DESCRIPTION

FIG. 1 is a front view of a cable having anchor element;
 FIG. 2 is a rear view of the cable having anchor element;
 FIG. 3 is a top view of the cable having anchor element;
 FIG. 4 is a bottom view of the cable having anchor element;
 FIG. 5 is a left side view of the cable having anchor element;
 FIG. 6 is a right side view of the cable having anchor element;
 FIG. 7 is a front perspective view of the cable having anchor element; and,
 FIG. 8 is another perspective view of the cable having anchor element.

1 Claim, 4 Drawing Sheets



(56)

References Cited

U.S. PATENT DOCUMENTS

D832,263 S * 10/2018 Chen D14/433
D833,445 S * 11/2018 Xie D14/433
D835,109 S * 12/2018 Chen D14/433
2006/0164413 A1 * 7/2006 Colbert G06T 17/10
345/420
2007/0256370 A1 * 11/2007 Whittingham E04B 1/3211
52/81.1
2017/0253788 A1 * 9/2017 Ivanov E21B 43/267

* cited by examiner

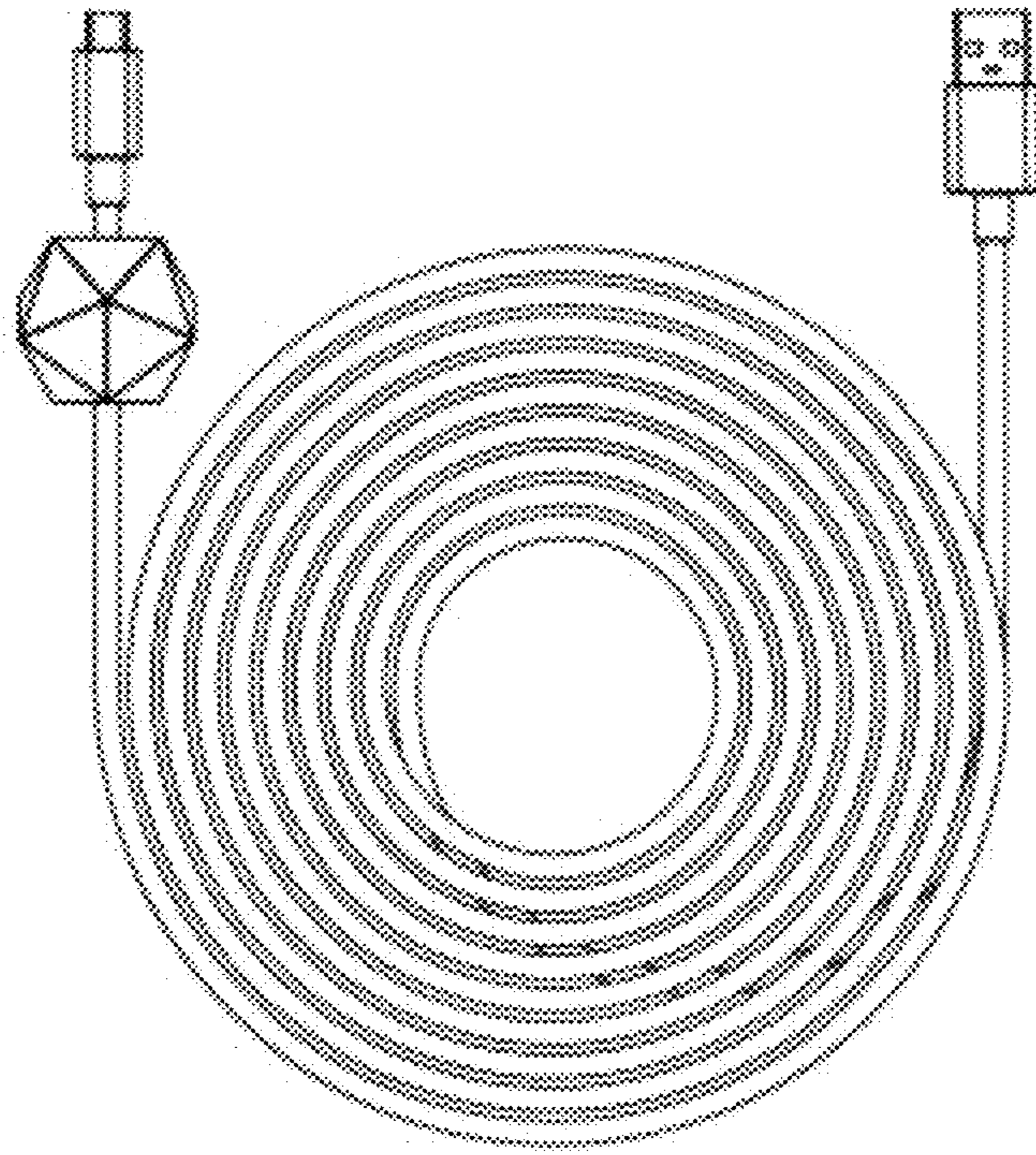


FIG. 1

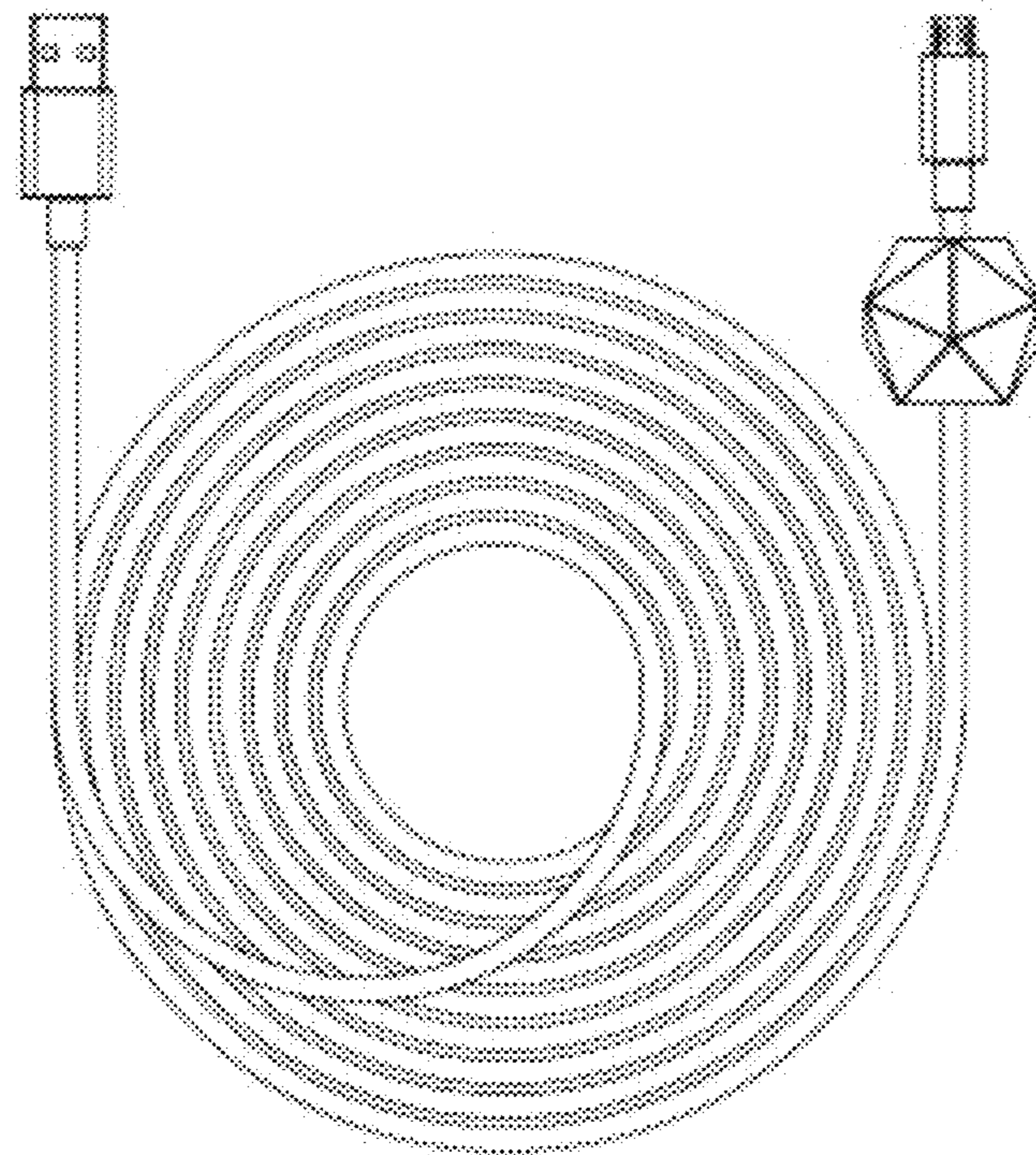


FIG. 2

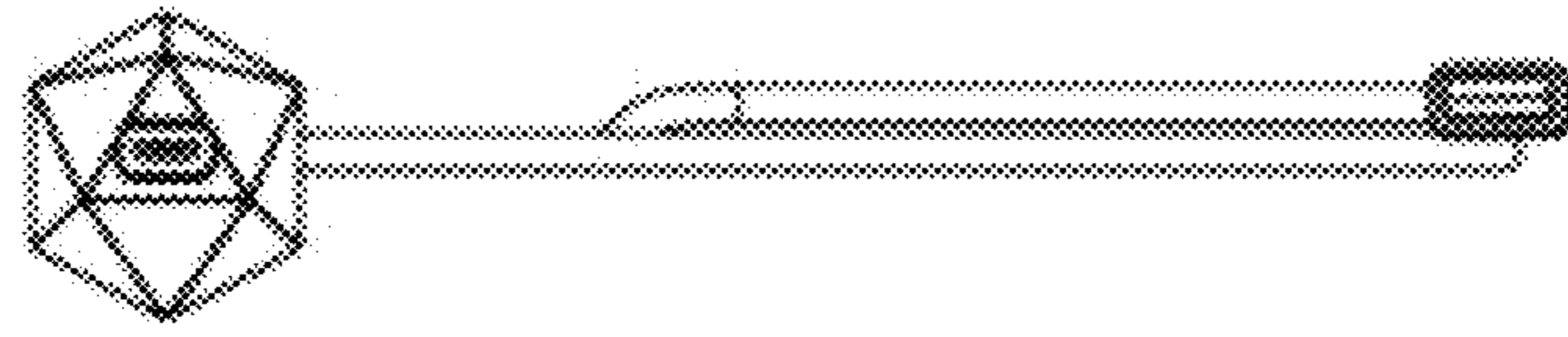


FIG. 3

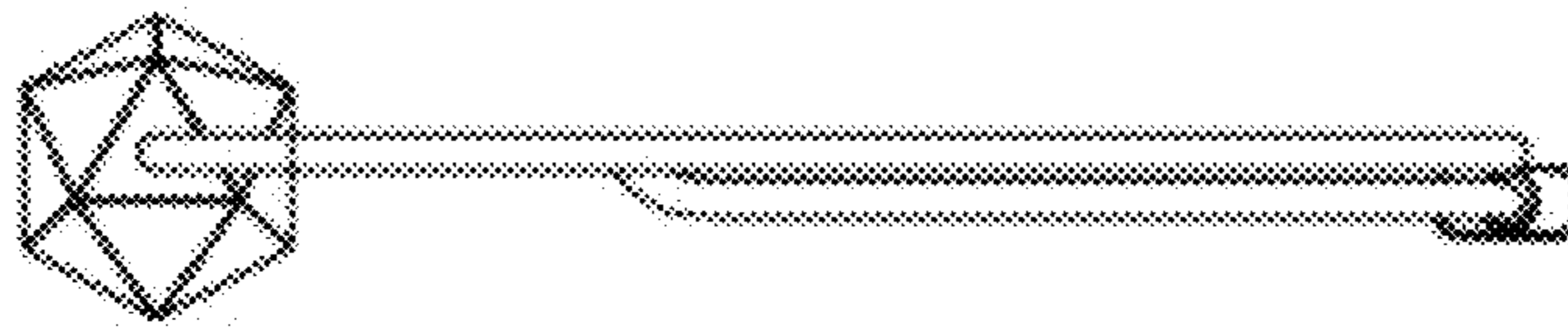


FIG. 4

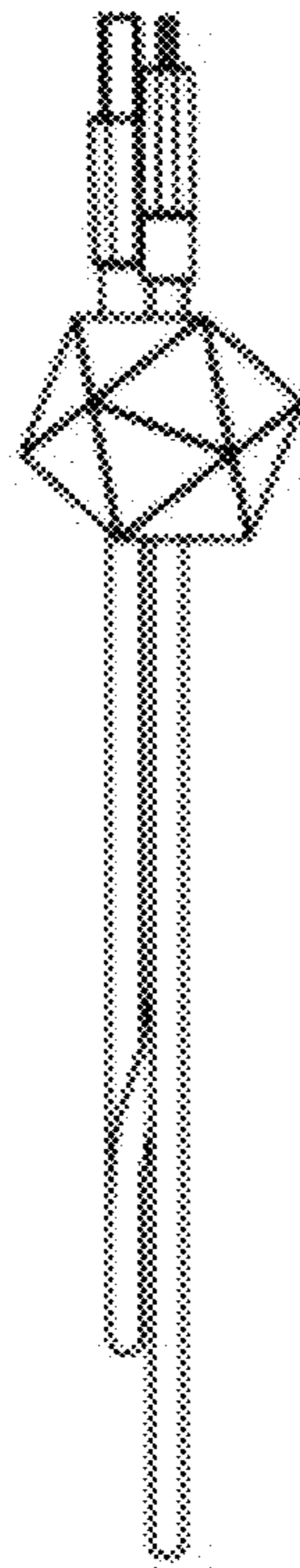


FIG. 5

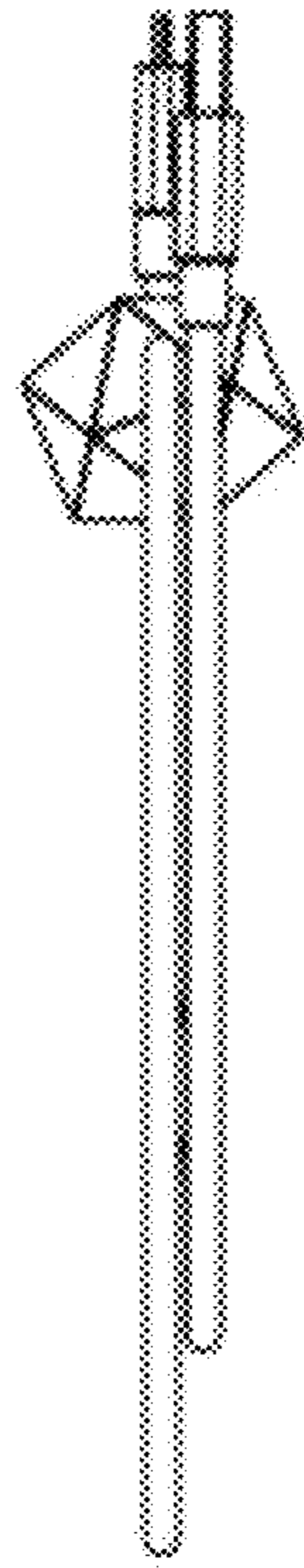


FIG. 6

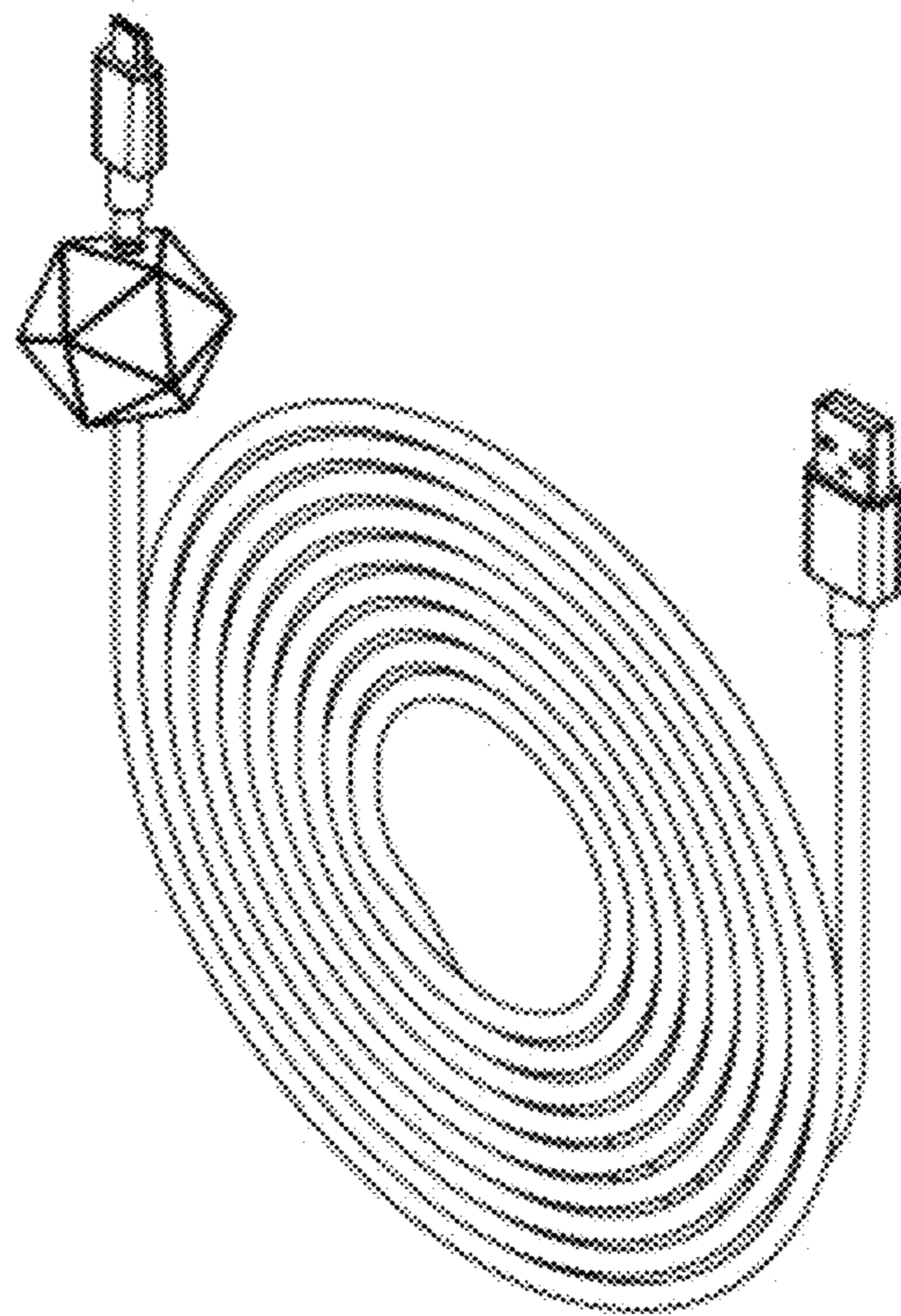


FIG. 7

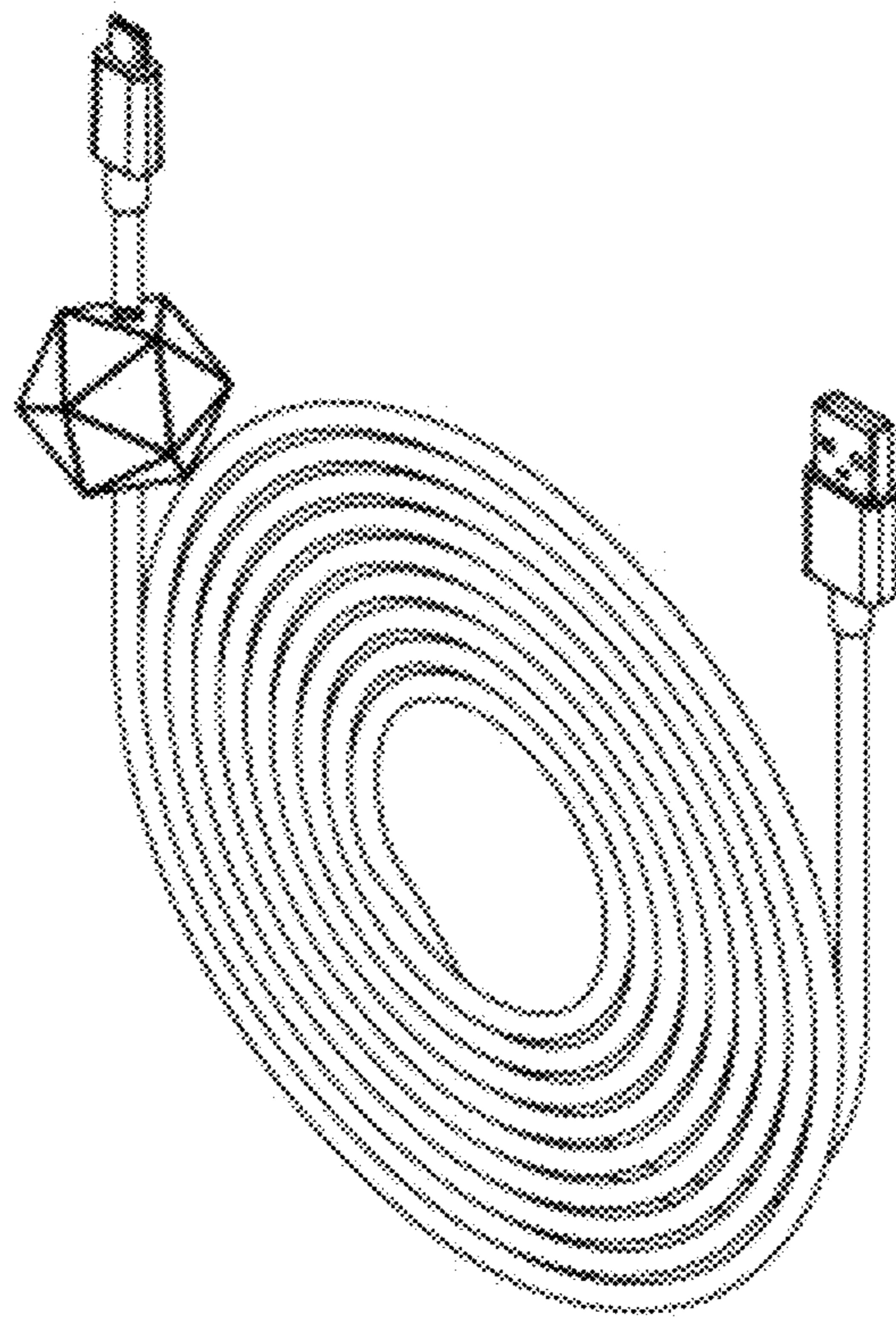


FIG. 8