



US00D850448S

(12) **United States Design Patent** (10) **Patent No.:** **US D850,448 S**
Lewis (45) **Date of Patent:** **** Jun. 4, 2019**

(54) **HANDS-FREE SUPPORT FOR AN INFORMATION TECHNOLOGY EQUIPMENT RACK**
(71) Applicant: **Bruce Lewis**, Sugar Land, TX (US)
(72) Inventor: **Bruce Lewis**, Sugar Land, TX (US)
(**) Term: **15 Years**
(21) Appl. No.: **29/609,117**
(22) Filed: **Jun. 28, 2017**
(51) **LOC (11) Cl.** **14-02**
(52) **U.S. Cl.**
USPC **D14/432**
(58) **Field of Classification Search**
USPC D14/300–302, 308–313, 314, 348,
D14/353–355, 432, 439–446, 240;
(Continued)

(56) **References Cited**
U.S. PATENT DOCUMENTS
D600,698 S * 9/2009 Kramer D14/432
7,681,210 B2 * 3/2010 Jiang G06F 1/187
361/679.38
(Continued)

Primary Examiner — Austin Murphy
(74) *Attorney, Agent, or Firm* — Buche & Associates,
P.C.; John K. Buche; Bryce A. Johnson

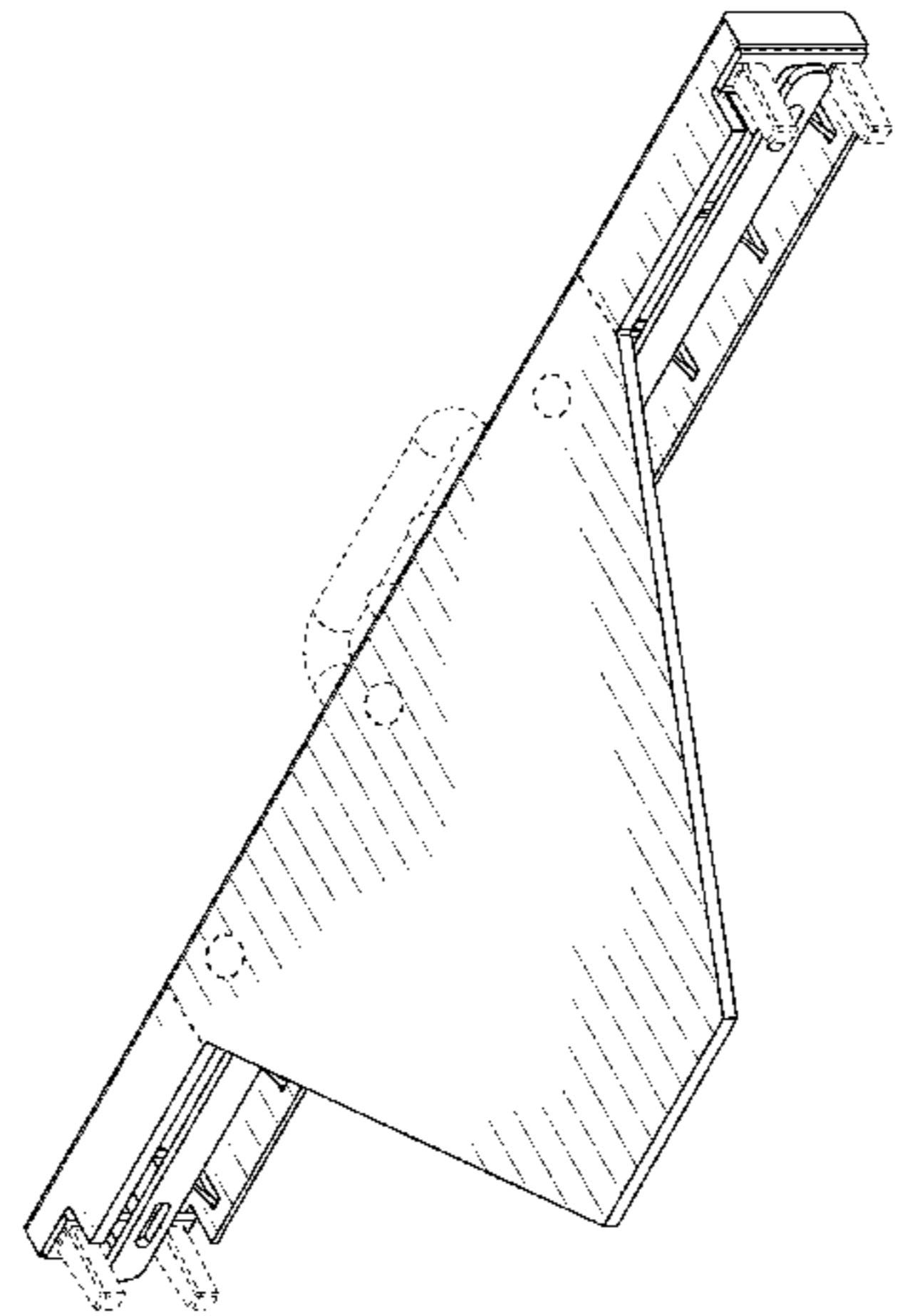
(57) **CLAIM**
I claim the ornamental design for a “hands-free support for an information technology equipment rack,” as shown.

DESCRIPTION

FIG. 1 is a perspective view of a hands-free support for an information technology equipment rack;

FIG. 2 is a top view of the hands-free support for an information technology equipment rack;
FIG. 3 is a bottom view of the hands-free support for an information technology equipment rack;
FIG. 4 is a right-side view of the hands-free support for an information technology equipment rack;
FIG. 5 is a left-side view of the hands-free support for an information technology equipment rack;
FIG. 6 is a front view of the hands-free support for an information technology equipment rack;
FIG. 7 is a rear view of the hands-free support for an information technology equipment rack;
FIG. 8 is a perspective view of another embodiment of the hands-free support for an information technology equipment rack;
FIG. 9 is a top view of the other embodiment of the hands-free support for an information technology equipment rack;
FIG. 10 is a bottom view of the other embodiment of the hands-free support for an information technology equipment rack;
FIG. 11 is a right-side view of the other embodiment of the hands-free support for an information technology equipment rack;
FIG. 12 is a left-side view of the other embodiment of the hands-free support for an information technology equipment rack;
FIG. 13 is a front view of the other embodiment of the hands-free support for an information technology equipment rack;
FIG. 14 is a rear view of the other embodiment of the hands-free support for an information technology equipment rack; and,
FIG. 15 is a top view of the hands-free support for an information technology equipment rack shown in FIG. 2 but where knob are moved in the direction of the arrows; and,
FIG. 16 is a rear view of the hands-free support for an information technology equipment rack shown in FIG. 7 but where the bars are moved in the direction of the arrows.
Broken lines illustrate environmental features and form no part of the claimed design.

1 Claim, 7 Drawing Sheets



(58) **Field of Classification Search**

USPC 361/679.02, 679.31, 679.5, 690, 694,
361/679.23, 801, 802; 312/332.1, 334.1;
D13/162; D10/50

CPC B65H 1/00; B65H 1/266; B65H 2402/441;
B65H 2405/311; B65H 2405/313

See application file for complete search history.

(56) **References Cited**

U.S. PATENT DOCUMENTS

D685,373 S *	7/2013	Santos	D14/432
D746,289 S *	12/2015	Binner	D14/432
D755,182 S *	5/2016	Bassett	D14/432
D762,217 S *	7/2016	Michaud	D14/432
D773,468 S *	12/2016	Ellis, II	D14/432
D783,623 S *	4/2017	Crisp	D14/432
D795,877 S *	8/2017	Barron	D14/432
D808,969 S *	1/2018	Gessford	D14/432
D810,061 S *	2/2018	Lim	D14/240
D813,872 S *	3/2018	Crisp	D14/432

* cited by examiner

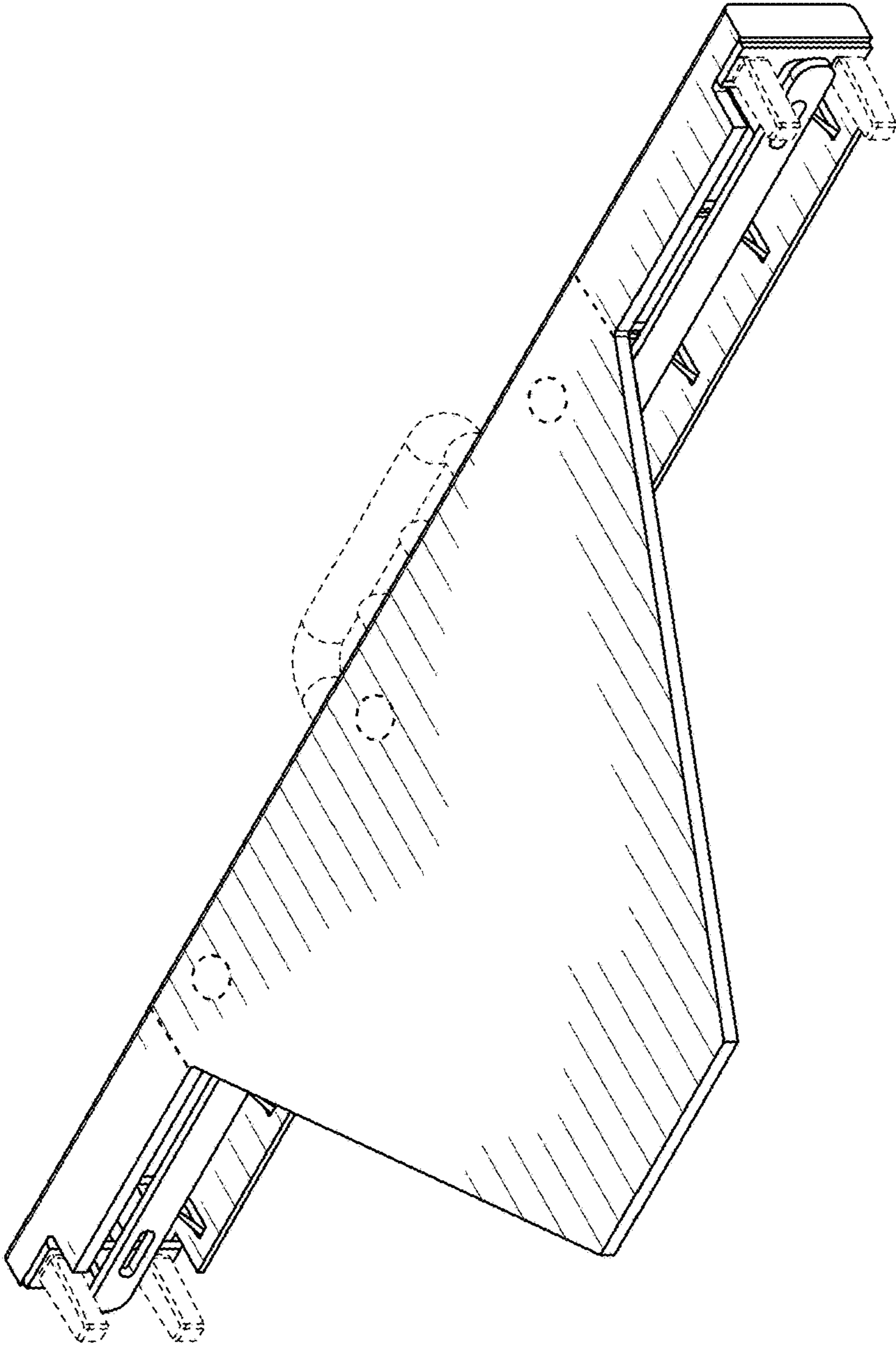


FIG. 1

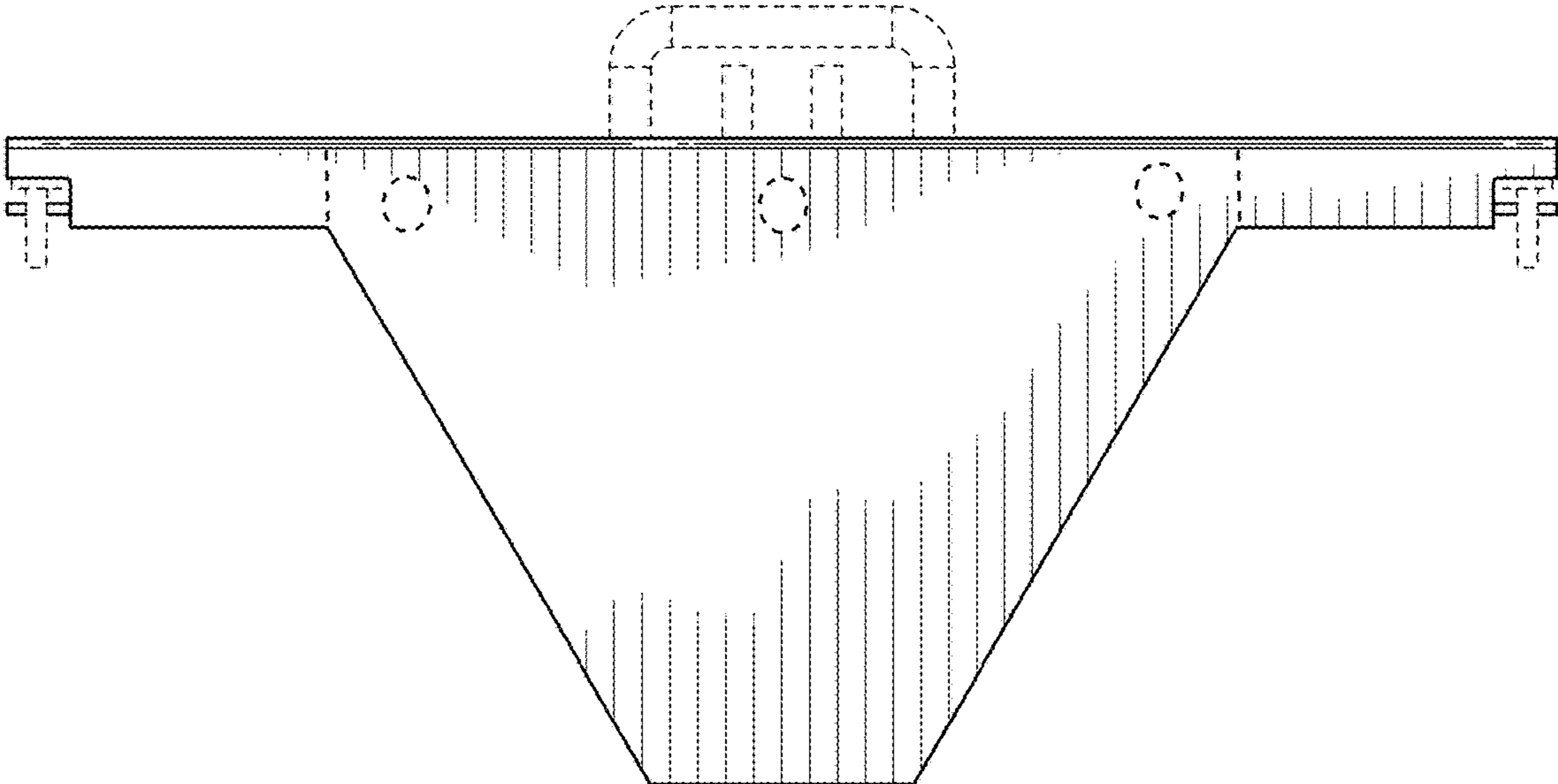


FIG. 2

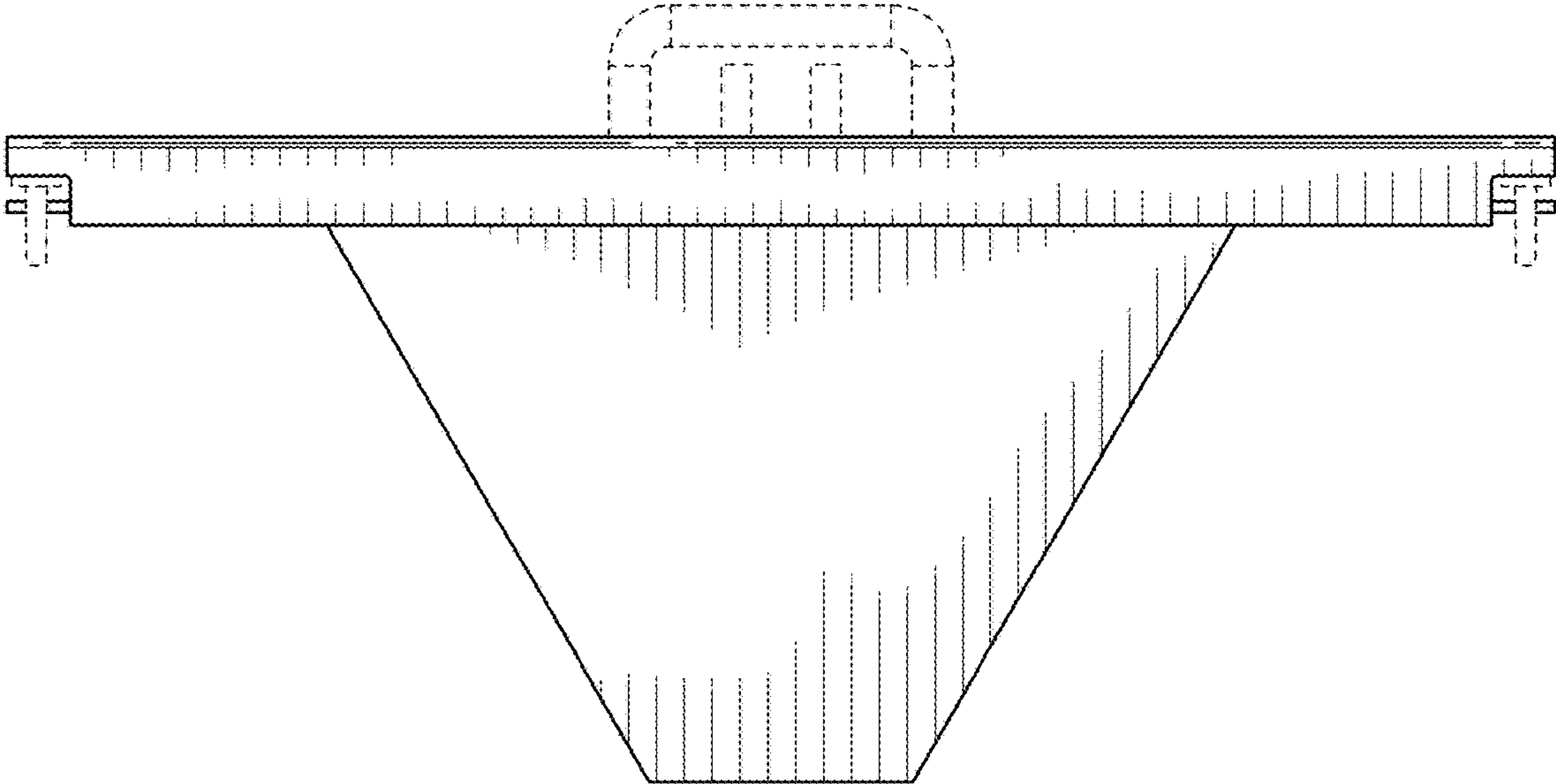


FIG. 3

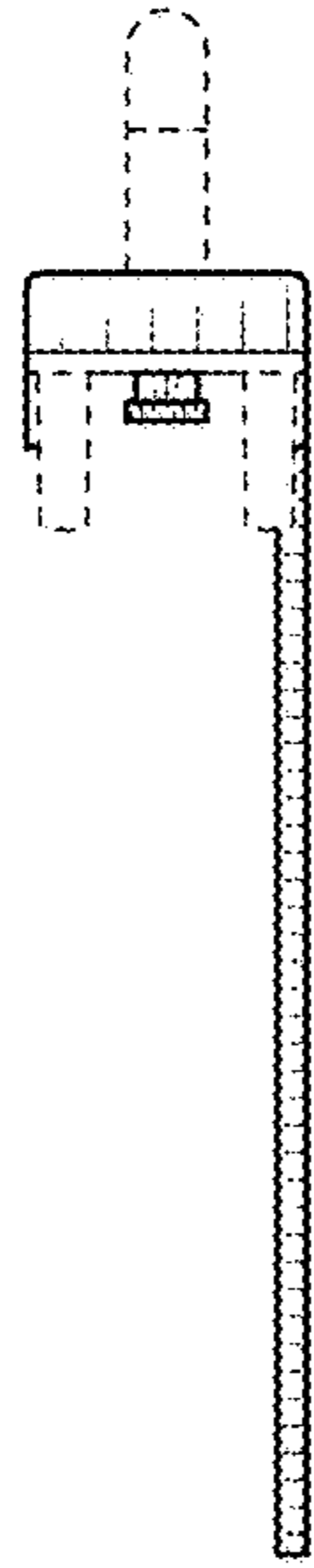


FIG. 4

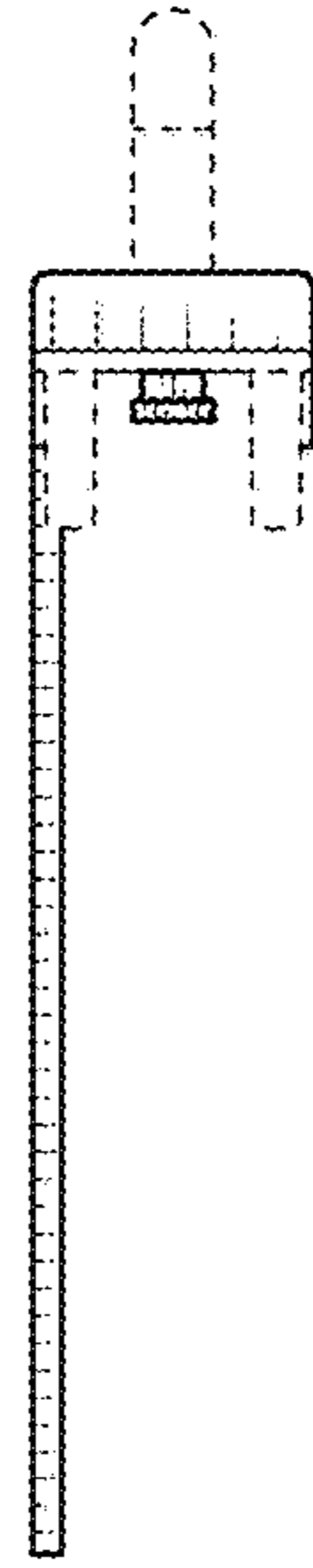


FIG. 5

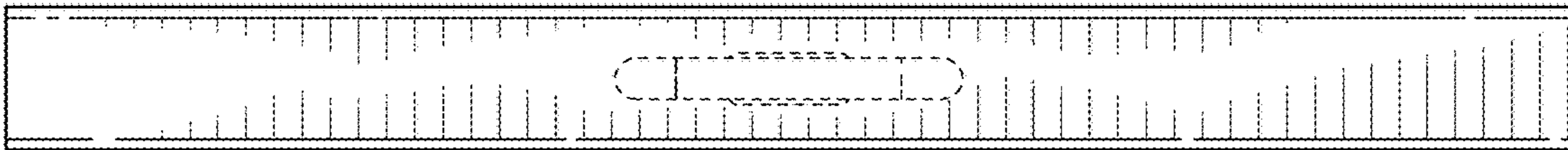


FIG. 6

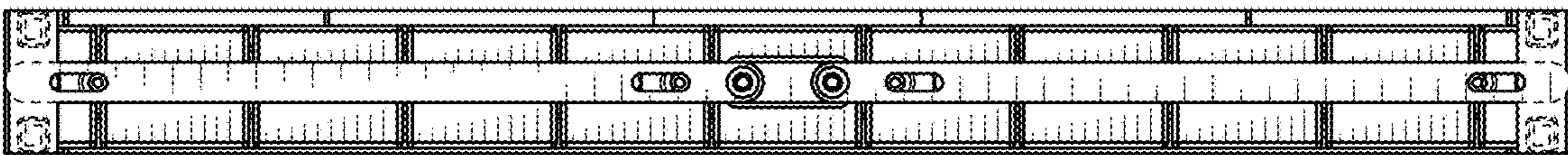


FIG. 7

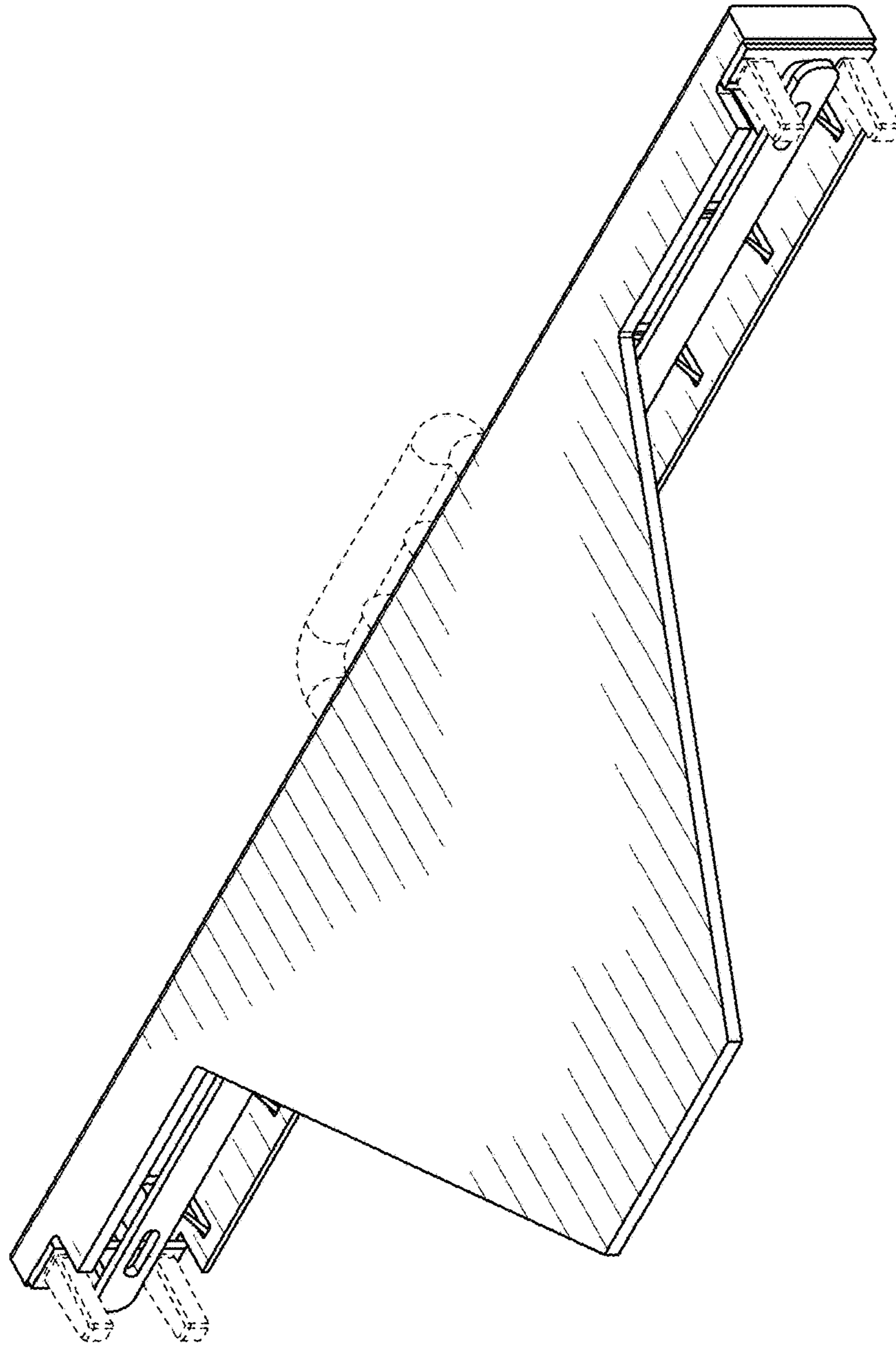


FIG. 8

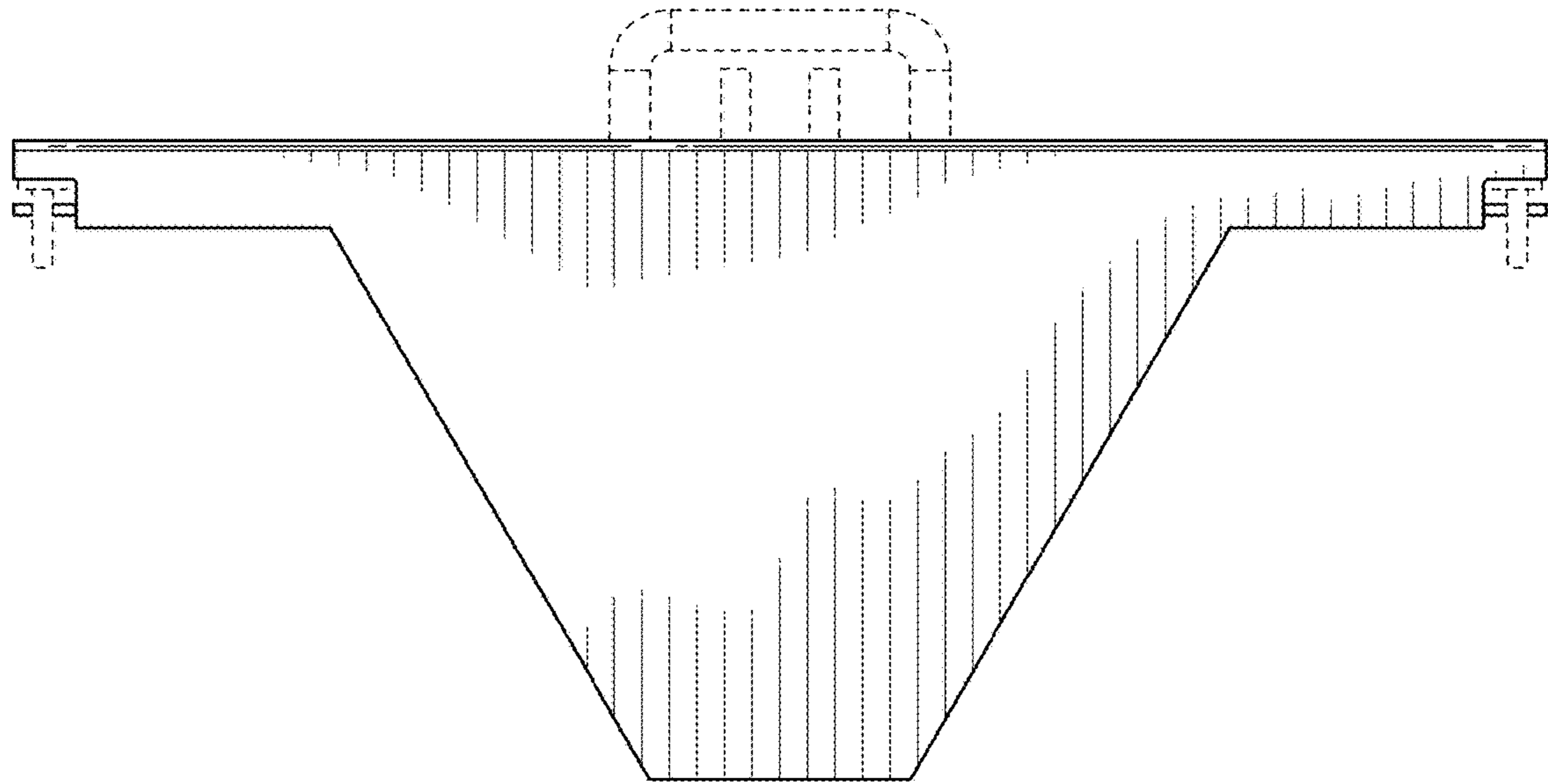


FIG. 9

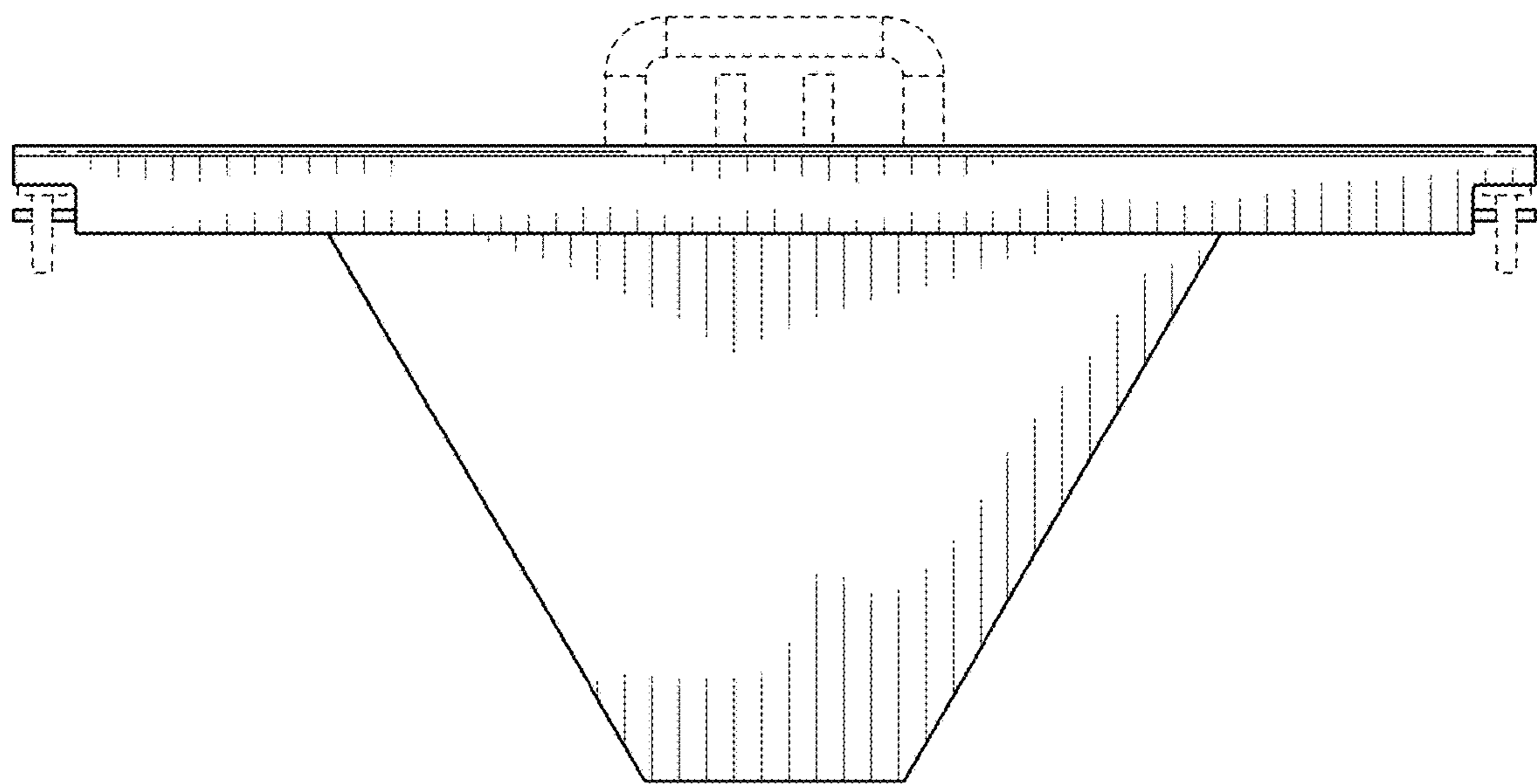


FIG. 10

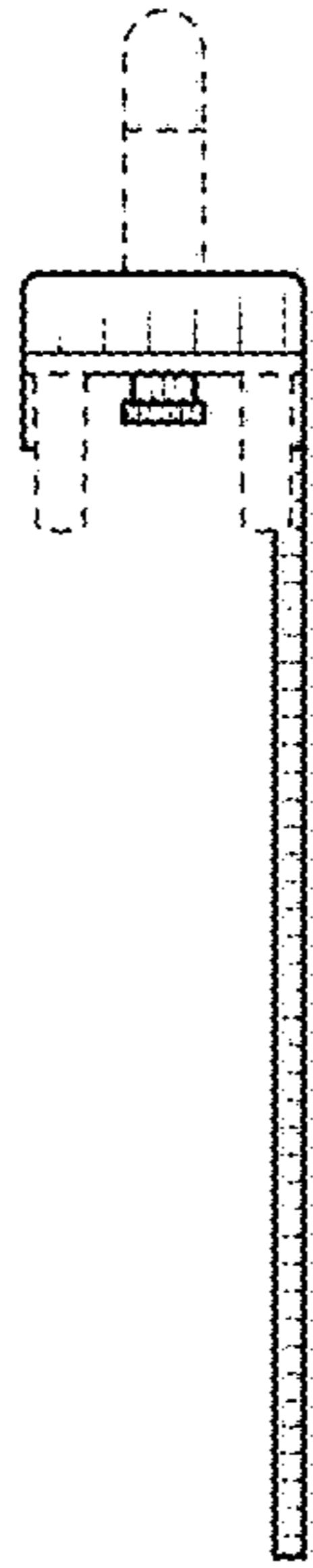


FIG. 11

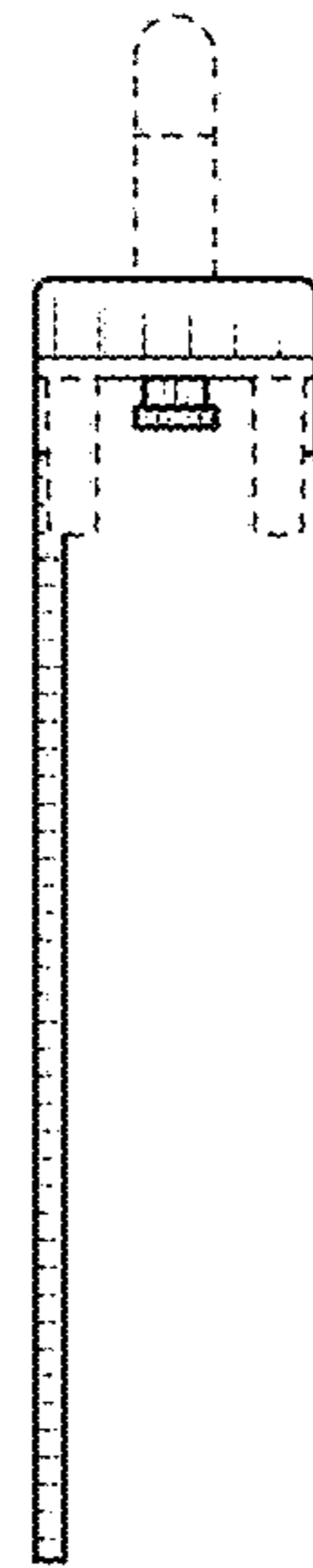


FIG. 12

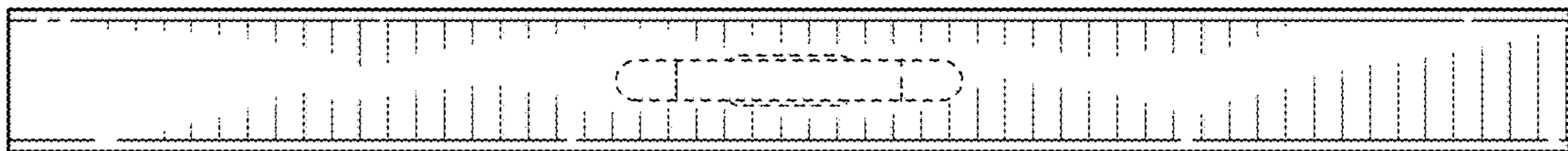


FIG. 13

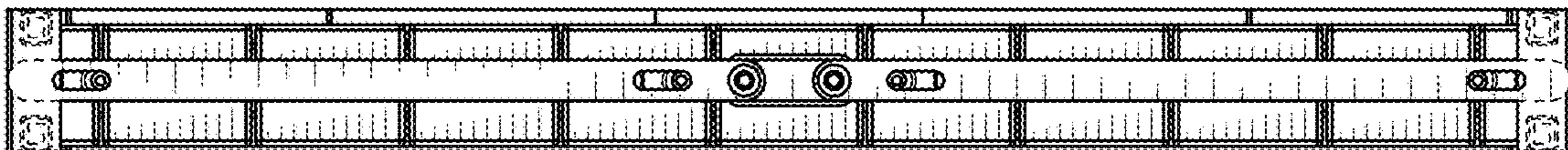


FIG. 14

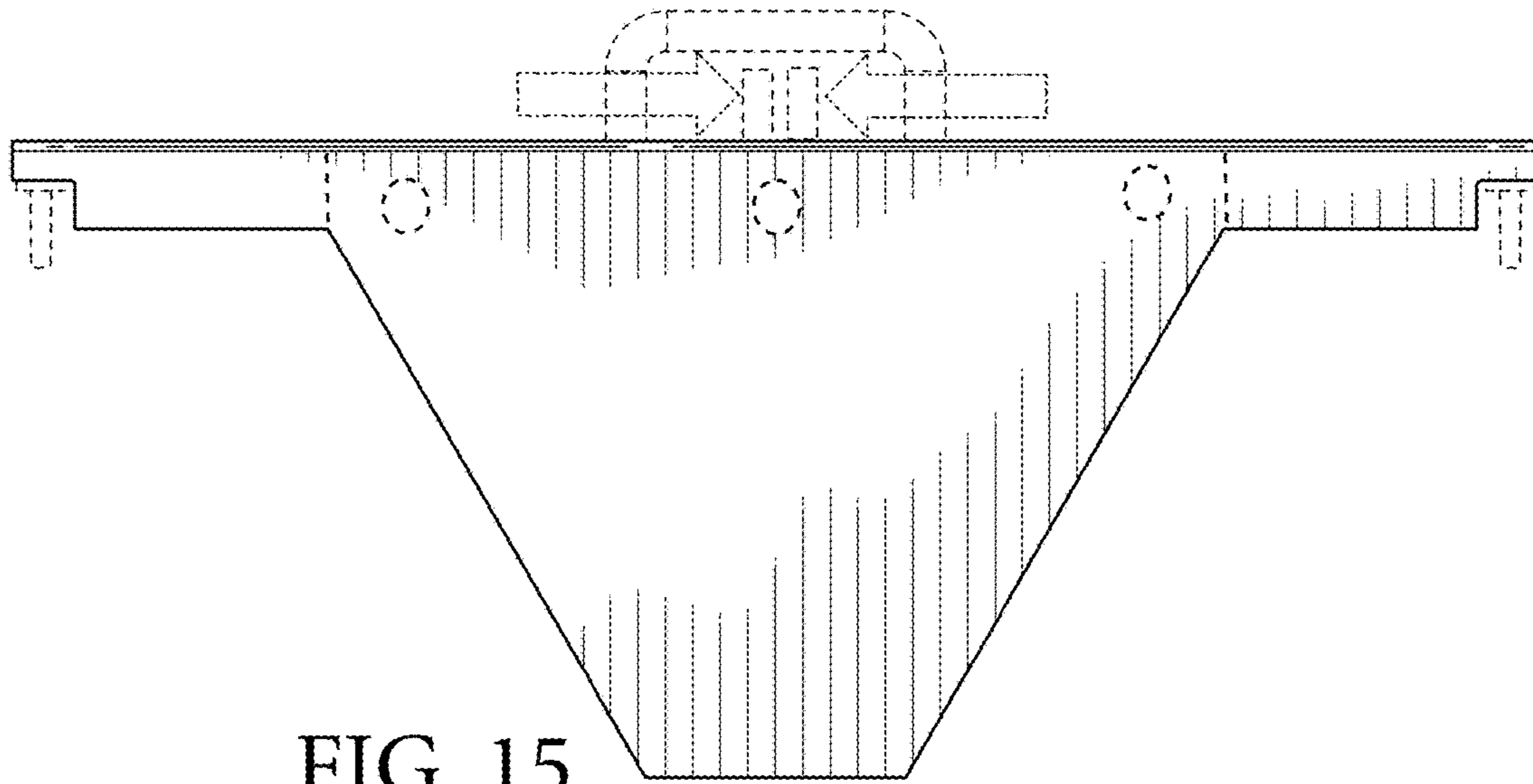


FIG. 15

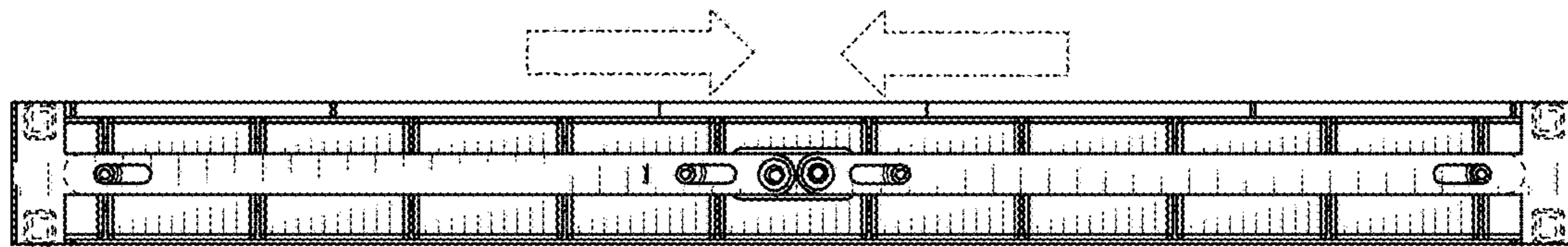


FIG. 16