



US00D850446S

(12) **United States Design Patent**
Wang et al.

(10) **Patent No.:** **US D850,446 S**
(45) **Date of Patent:** **** Jun. 4, 2019**

(54) **ELECTRONIC DEVICE**

(71) Applicant: **TOAST, INC.**, Boston, MA (US)

(72) Inventors: **Yueyue Wang**, Boston, MA (US);
Stephen Fredette, Boston, MA (US)

(73) Assignee: **Toast, Inc.**, Boston, MA (US)

(**) Term: **15 Years**

(21) Appl. No.: **29/664,859**

(22) Filed: **Sep. 28, 2018**

Related U.S. Application Data

(63) Continuation of application No. 29/618,666, filed on Sep. 22, 2017.

(51) **LOC (11) Cl.** **14-02**

(52) **U.S. Cl.**
USPC **D14/385; D18/4.6; D14/341**

(58) **Field of Classification Search**

USPC D18/4.4, 4.5, 4.6, 2, 11, 50, 14, 19-21,
D18/54, 99; D14/300, 307, 338, 339,
D14/341, 356, 357, 383, 385, 386, 388,
D14/426, 453-455, 496, 507, 509, 510,
D14/154, 155, 158, 168, 218, 225, 226,
D14/248, 299, 137, 344, 138 R, 138 G,
D14/900, 901, 902, 439, 448, 450, 336;
D10/46, 61, 62, 70, 104.1, 104.2, 106.2,
D10/106.6, 65, 66; D20/1; D13/168
CPC H04W 8/22; H04W 52/0225; H04W
52/0254; G06Q 20/00; G06Q 20/08;
G06Q 20/20; G07F 7/0873; G07F 7/088;
G07F 7/0886; G07G 1/0009; G07G
1/0018; G06F 1/1626

See application file for complete search history.

(56) **References Cited**

U.S. PATENT DOCUMENTS

D327,882 S 7/1992 George et al.
D337,569 S * 7/1993 Kando D14/341

D344,494 S 2/1994 Cardenas
D413,582 S 9/1999 Tompkins
D469,761 S 2/2003 Nussberger
D593,557 S * 6/2009 Hofer D14/346
D595,709 S * 7/2009 Cai D14/248
D601,539 S * 10/2009 Hong D14/138 G
D608,355 S * 1/2010 Fahlgren D14/248
D615,088 S * 5/2010 Matsuoka D14/138 R
D618,355 S * 6/2010 Delaey D24/158
D624,114 S * 9/2010 Ausems G07F 7/0886
D18/4.6
D624,115 S 9/2010 Ausems et al.
D626,526 S * 11/2010 Lee D14/138 G
D626,550 S 11/2010 Julien

(Continued)

Primary Examiner — Susan Bennett Hattan

Assistant Examiner — Marie D. Fast Horse

(74) *Attorney, Agent, or Firm* — Richard K. Huffman

(57) **CLAIM**

The ornamental design for an electronic device, as shown and described.

DESCRIPTION

This application is related to U.S. application Ser. No. 29/664,867, filed Sep. 28, 2018, the entire disclosure of which is hereby incorporated herein by reference.

FIG. 1 is a front perspective view of an electronic device showing our new design;

FIG. 2 is a front elevational view thereof;

FIG. 3 is a rear elevational view thereof;

FIG. 4 is a right side elevational view thereof;

FIG. 5 is a left side elevational view thereof;

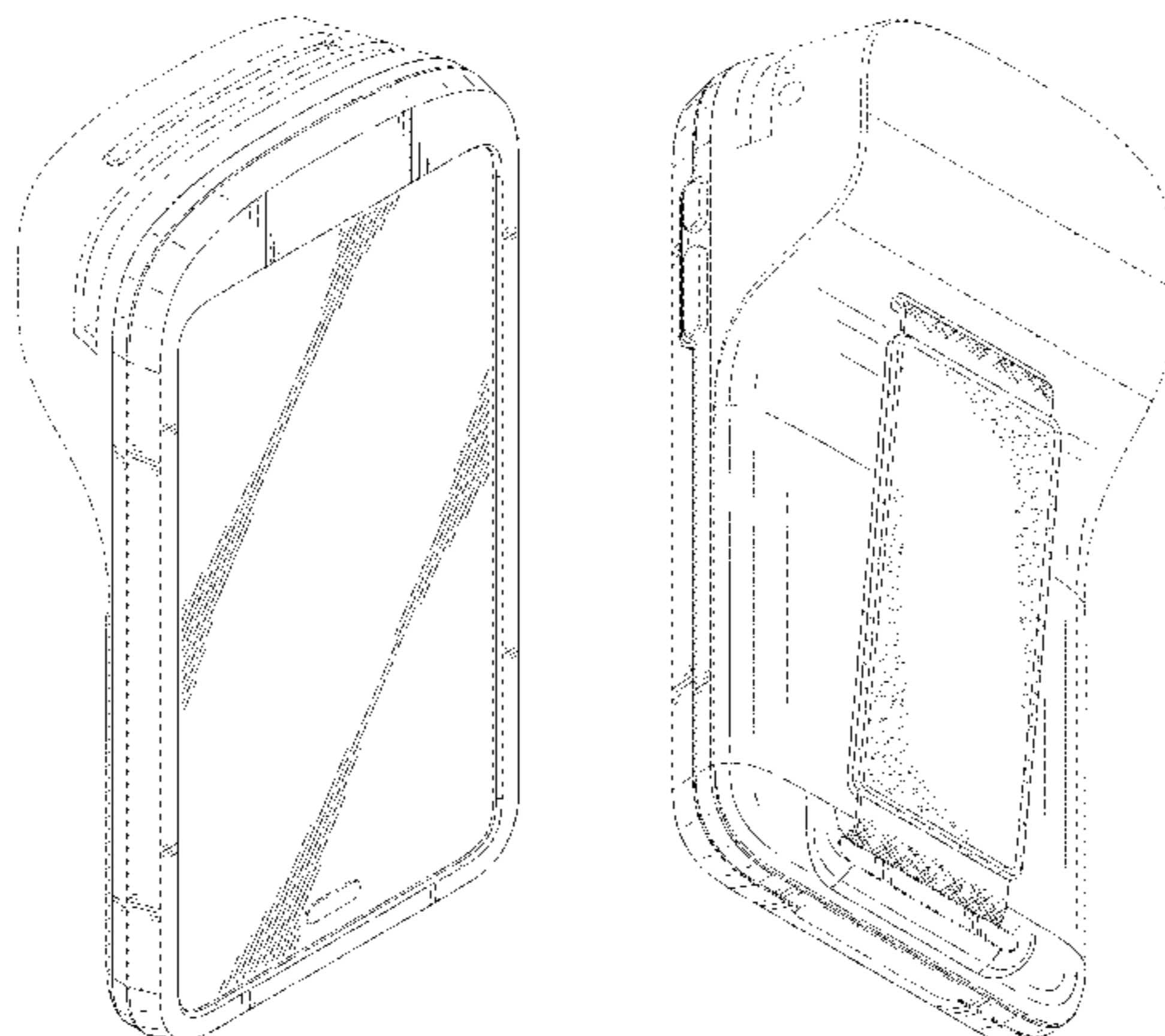
FIG. 6 is a top plan view thereof;

FIG. 7 is a bottom plan view thereof; and,

FIG. 8 is a rear perspective view thereof.

The broken lines in FIGS. 1-8 show portions of the electronic device that form no part of the claimed design.

1 Claim, 6 Drawing Sheets



(56)

References Cited

U.S. PATENT DOCUMENTS

D635,968 S * 4/2011 Cai D14/248
 D638,012 S 5/2011 Tian et al.
 D641,335 S * 7/2011 Lee D14/138 AA
 D643,034 S 8/2011 Tasselli et al.
 D659,565 S 5/2012 Bowman et al.
 D672,386 S 12/2012 Matunuma et al.
 D679,262 S * 4/2013 Cai D14/138 AA
 D681,036 S * 4/2013 Taunay da Graca Couto
 D14/385
 D684,555 S * 6/2013 Hofer D14/346
 D693,335 S * 11/2013 Cai D14/248
 D698,786 S * 2/2014 Jondrow D14/341
 D703,661 S * 4/2014 Krause D14/341
 D703,670 S * 4/2014 Rotsaert D14/385
 D705,346 S 5/2014 Blacken et al.
 D706,337 S 6/2014 Blacken et al.
 D716,370 S * 10/2014 Park D18/4.4
 D716,371 S 10/2014 Lee et al.

D723,030 S * 2/2015 Park D14/341
 D741,816 S 10/2015 Kroll et al.
 D754,650 S 4/2016 Curtis et al.
 D759,748 S 6/2016 Beatty et al.
 D762,766 S 8/2016 Bedier et al.
 D764,458 S * 8/2016 Jobetto D14/341
 D770,420 S 11/2016 Choi et al.
 D771,033 S * 11/2016 Jobetto D14/341
 D771,181 S 11/2016 Jung et al.
 D781,847 S 3/2017 Kim et al.
 D787,510 S 5/2017 Kitade
 D790,536 S 6/2017 Kitade
 9,721,439 B2 8/2017 Tanaka
 D797,106 S 9/2017 Paolizzi et al.
 D797,745 S * 9/2017 Wang D14/426
 D806,158 S 12/2017 Yaginuma
 D813,863 S * 3/2018 Barea D14/341
 2016/0335037 A1 11/2016 Baranowski et al.
 2017/0061746 A1 3/2017 Tanaka
 2018/0068300 A1 * 3/2018 Saeed G07G 1/0018

* cited by examiner

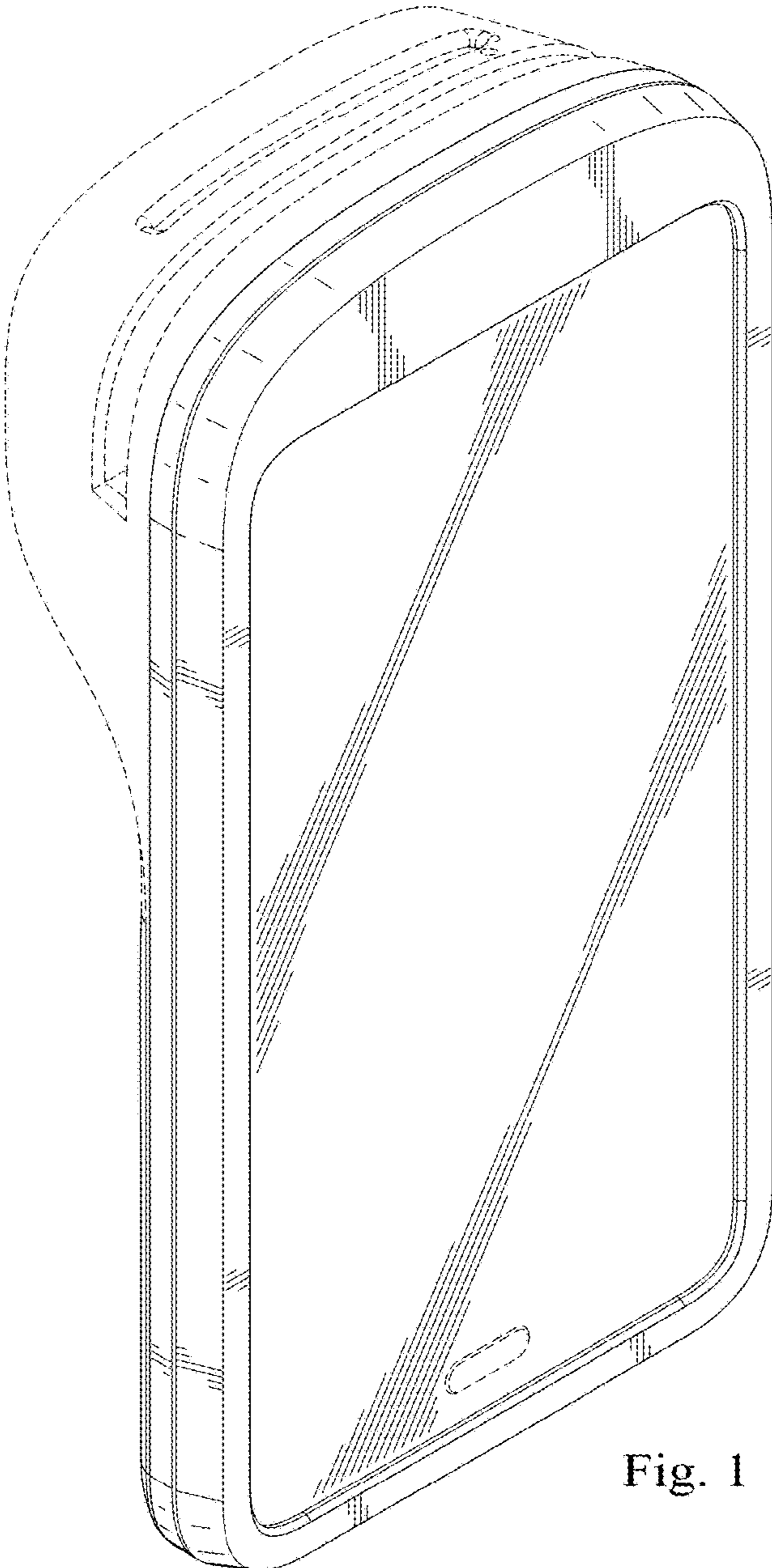


Fig. 1

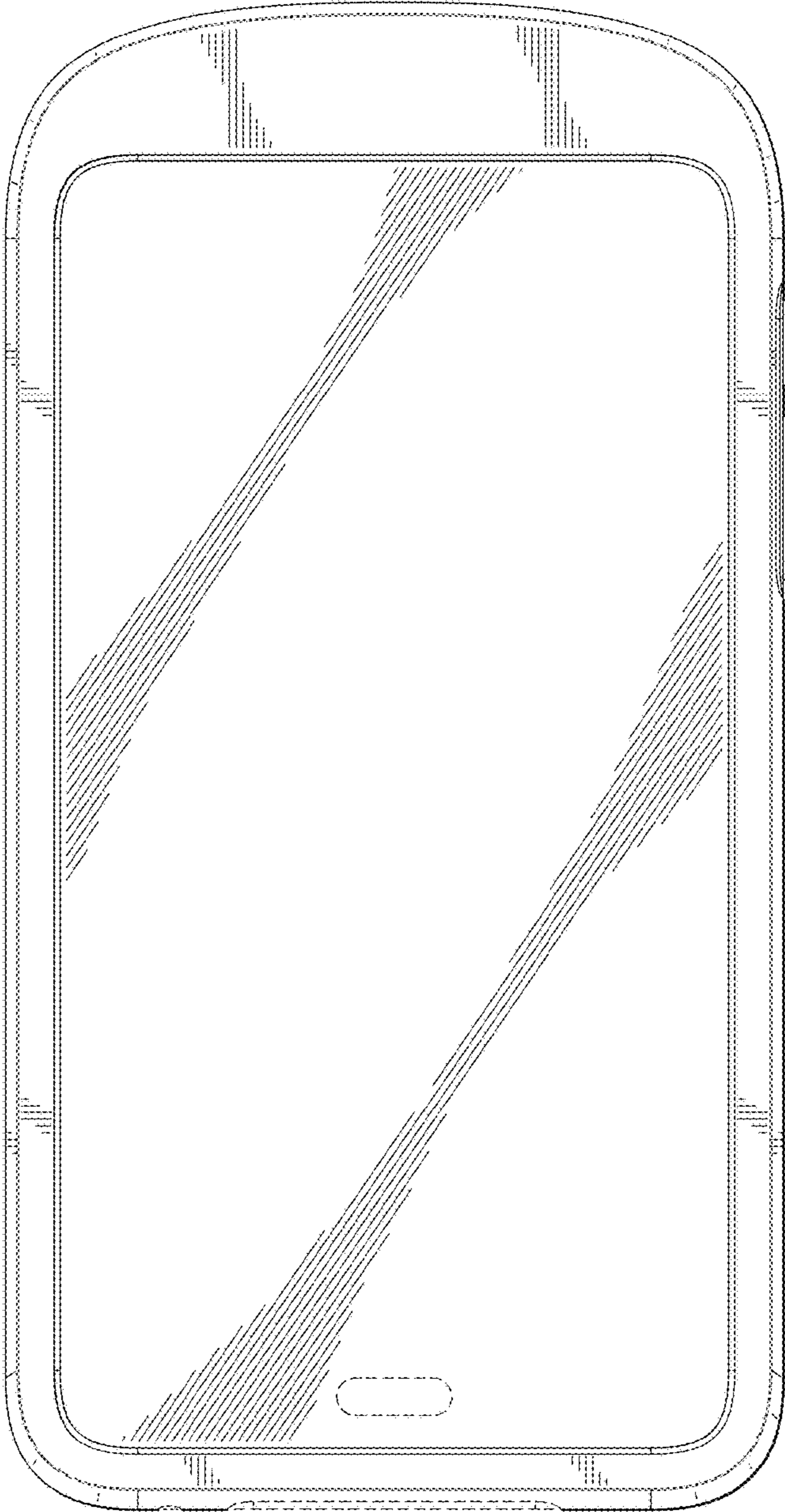


Fig. 2

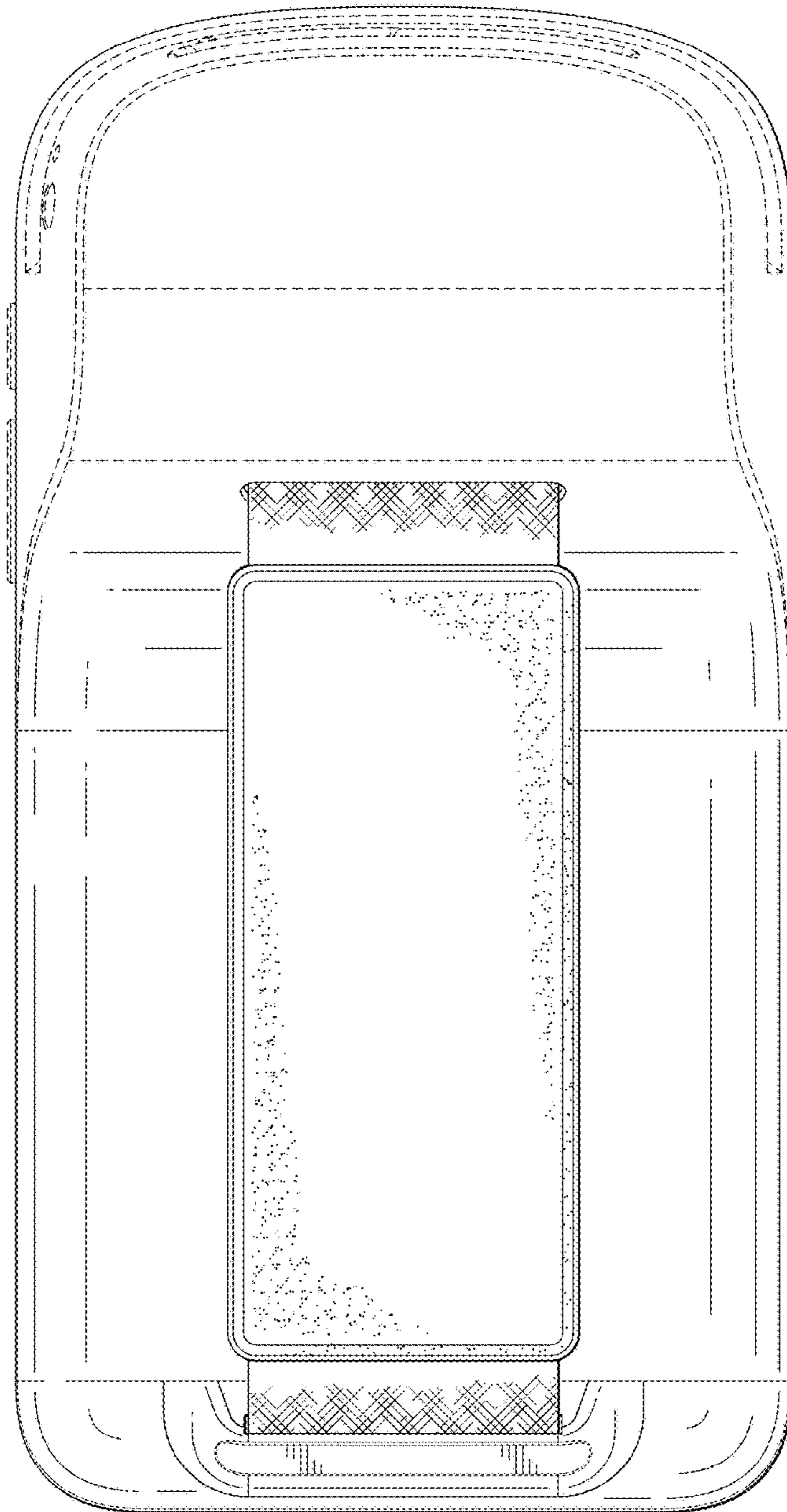


Fig. 3

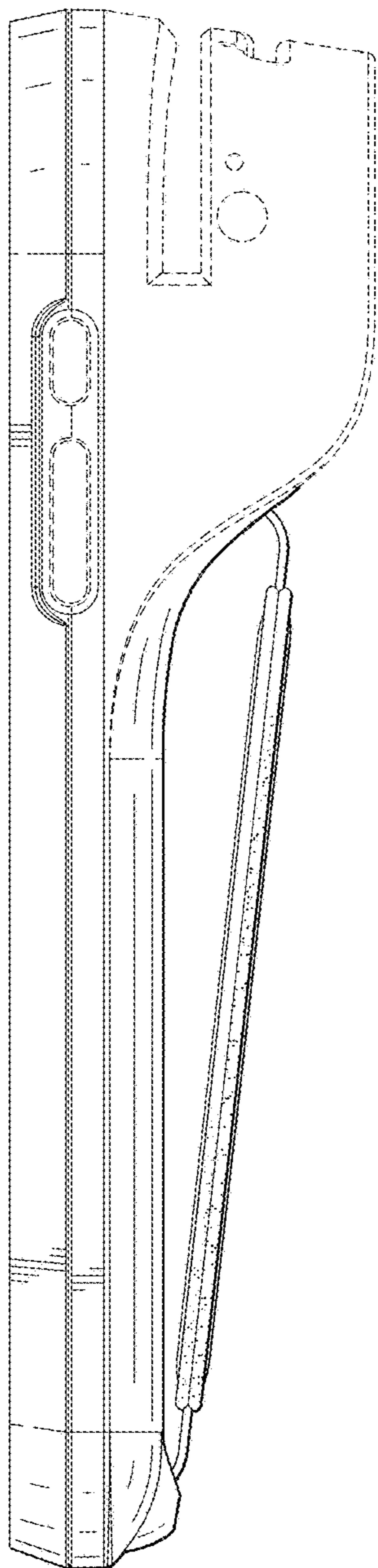


Fig. 4

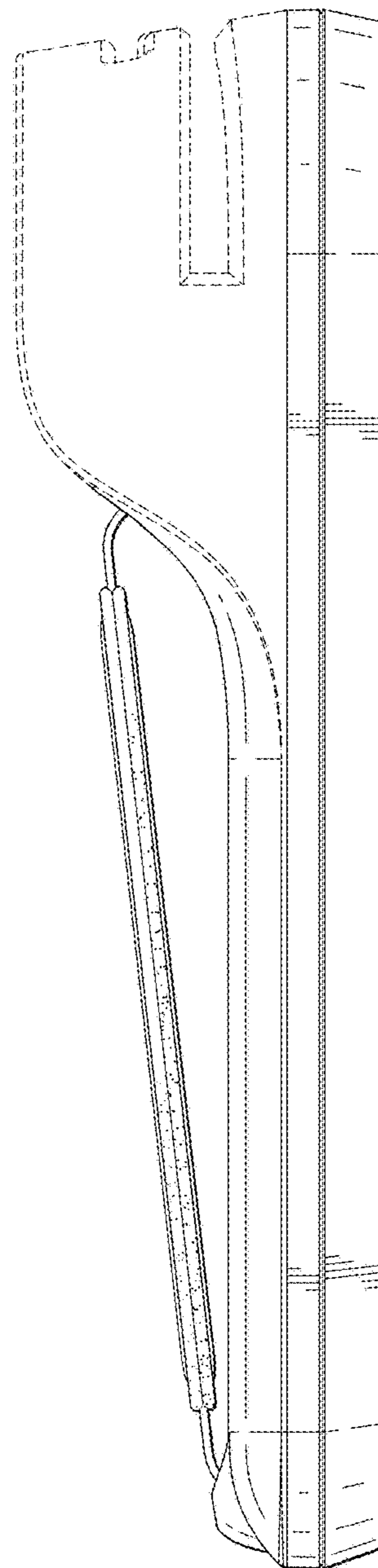


Fig. 5

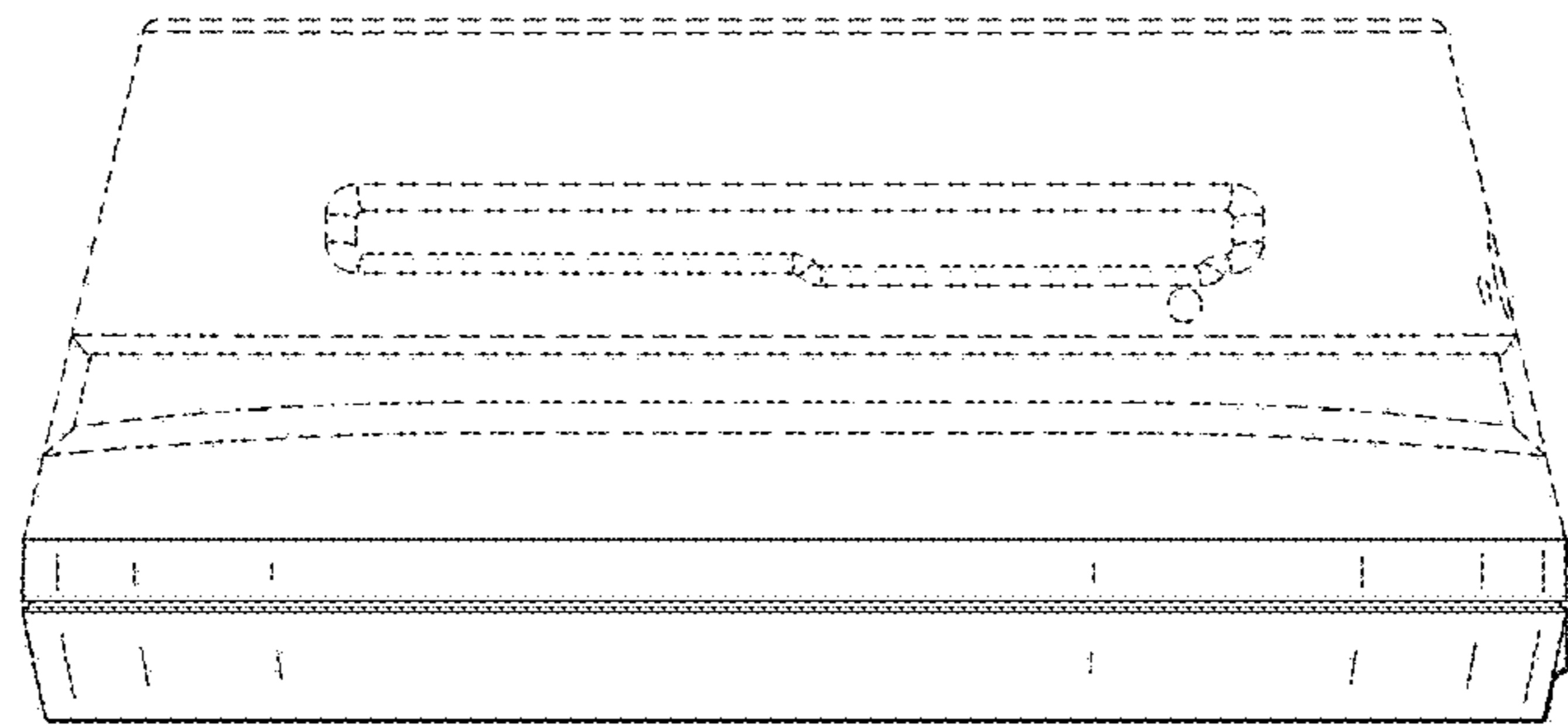


Fig. 6

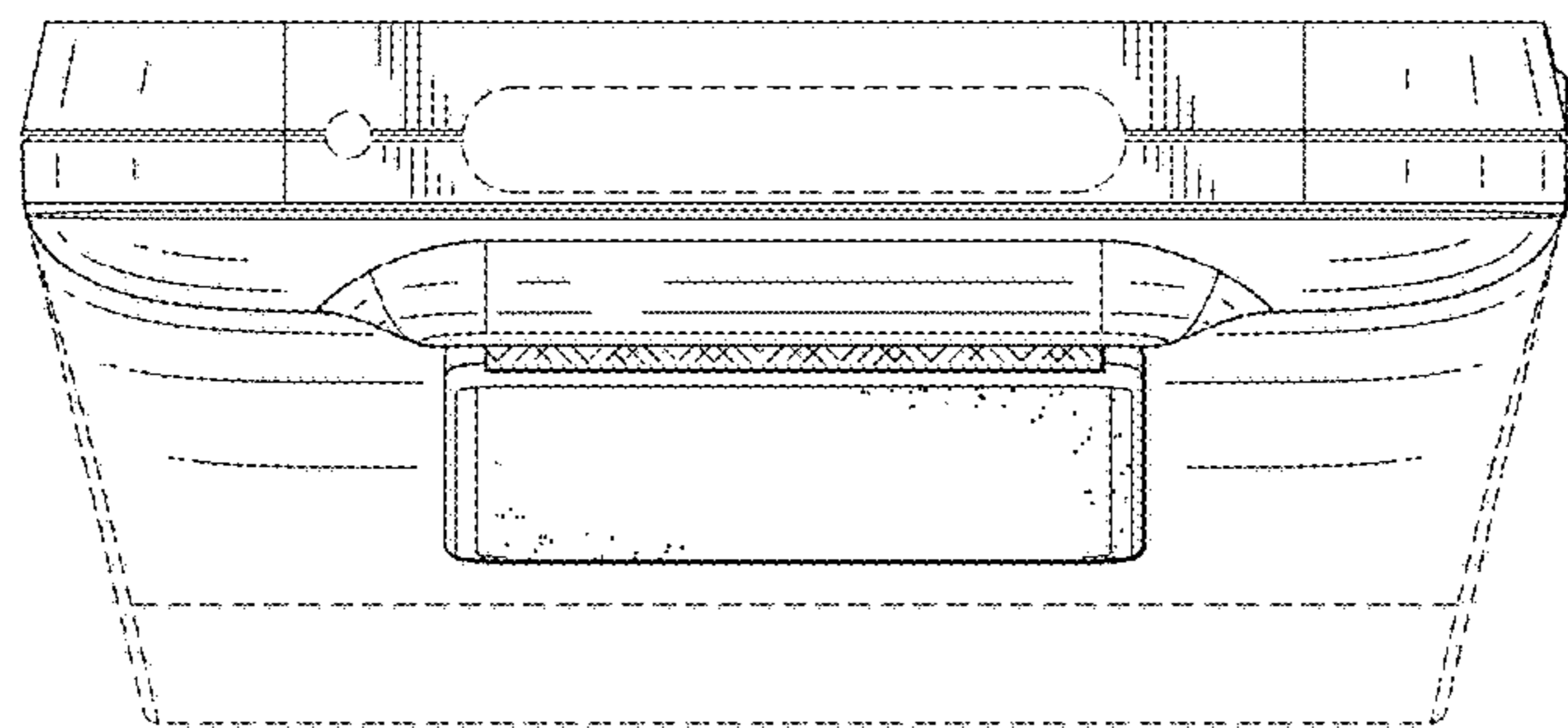


Fig. 7

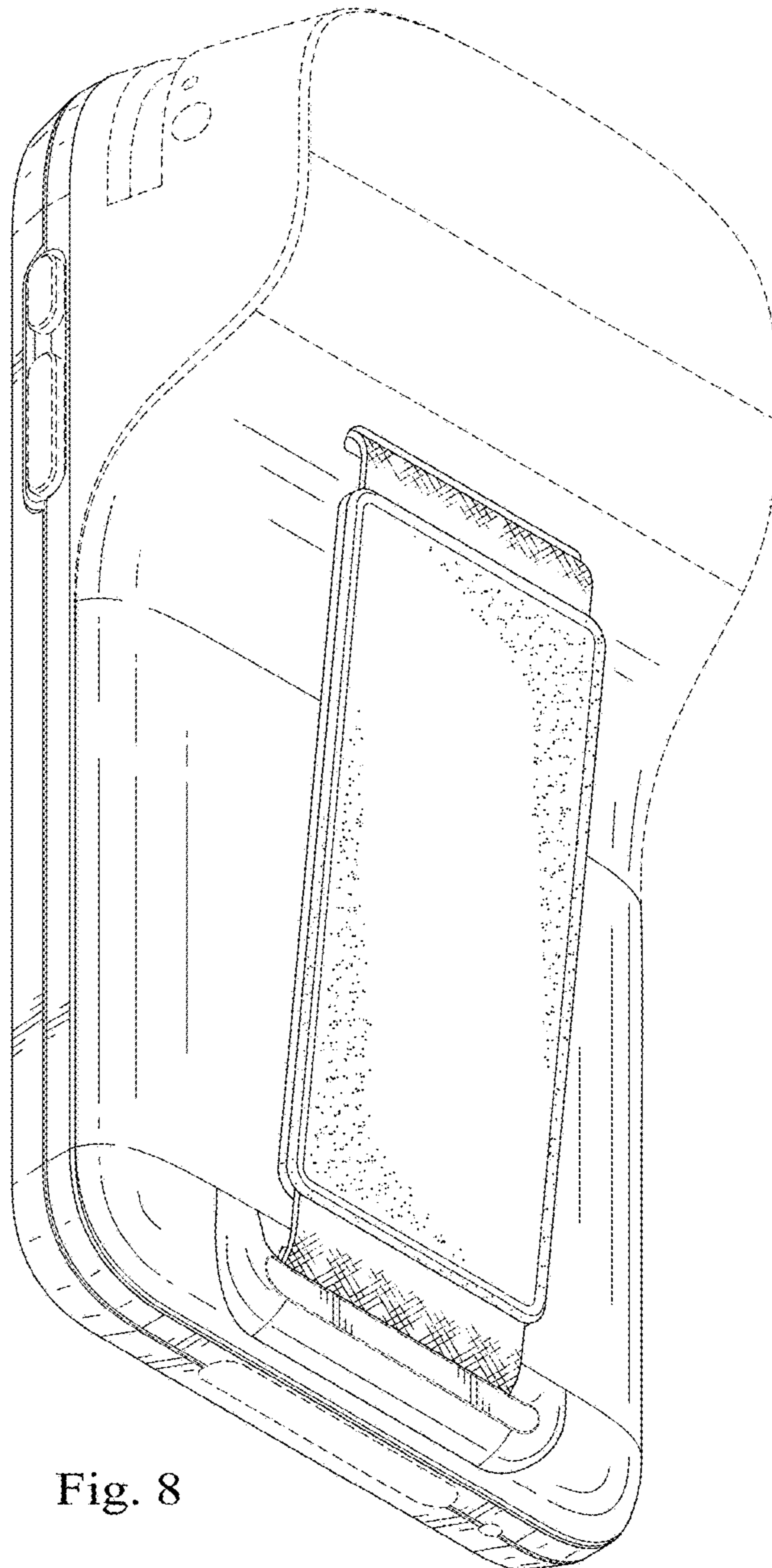


Fig. 8