



US00D850445S

(12) **United States Design Patent**  
**Porter et al.**

(10) **Patent No.:** **US D850,445 S**  
(45) **Date of Patent:** **\*\* Jun. 4, 2019**

- (54) **MONOCULAR SMART GLASSES**
- (71) Applicant: **Vuzix Corporation**, West Henrietta, NY (US)
- (72) Inventors: **Tyler W. Porter**, Honeoye Falls, NY (US); **Russell D. Page**, Palmyra, NY (US)
- (73) Assignee: **Vuzix Corporation**, West Henrietta, NY (US)
- (\*\*) Term: **15 Years**
- (21) Appl. No.: **29/614,599**
- (22) Filed: **Aug. 21, 2017**

- D718,304 S \* 11/2014 Heinrich ..... D14/372
- D718,305 S \* 11/2014 Olsson ..... D14/372
- D718,306 S \* 11/2014 Mehin ..... D14/372
- D719,156 S \* 12/2014 Lee ..... D14/372
- D725,102 S \* 3/2015 Lee ..... D14/372
- D726,180 S \* 4/2015 Roat ..... D14/372
- D731,484 S \* 6/2015 Olsson ..... D14/372
- D733,137 S \* 6/2015 Kawai ..... D14/372
- D734,332 S \* 7/2015 Olsson ..... D14/372

(Continued)

*Primary Examiner* — Austin Murphy

(74) *Attorney, Agent, or Firm* — Thomas B. Ryan; Harter Secrest & Emery LLP

(57) **CLAIM**

The ornamental design for a monocular smart glasses, as shown and described.

**Related U.S. Application Data**

- (63) Continuation of application No. 29/550,724, filed on Jan. 6, 2016, now Pat. No. Des. 795,865.
- (51) **LOC (11) Cl.** ..... **14-02**
- (52) **U.S. Cl.**  
USPC ..... **D14/372**
- (58) **Field of Classification Search**  
USPC ..... D14/372, 496, 432, 371, 125, 126, 129, D14/299; D16/300–342; 351/158, 153, 351/144; 345/7–9, 905; 455/344; 348/115, 53, 121, 739  
CPC ..... G02B 27/017; G02B 27/0158; G02B 27/0161; G02B 27/0181; G02B 27/0185; G02B 27/0189  
See application file for complete search history.

**DESCRIPTION**

FIG. 1 is a top, front, and left side perspective view of a monocular smart glasses showing our new design.

FIG. 2 is a top, back, and right side perspective view thereof.

FIG. 3 is a top plan view thereof.

FIG. 4 is a bottom plan view thereof.

FIG. 5 is a front elevational view thereof.

FIG. 6 is a back elevational view thereof.

FIG. 7 is a left side elevational view thereof.

FIG. 8 is a right side elevational view thereof.

FIG. 9 is a top, front, and left side perspective view of the monocular smart glasses showing an alternate position with an eyepiece in a different angular position with respect to a temple piece; and,

FIG. 10 is a bottom plan view of the monocular smart glasses in the alternate position.

The text appearing in FIGS. 1, 7, and 9 forms no part of the claimed design.

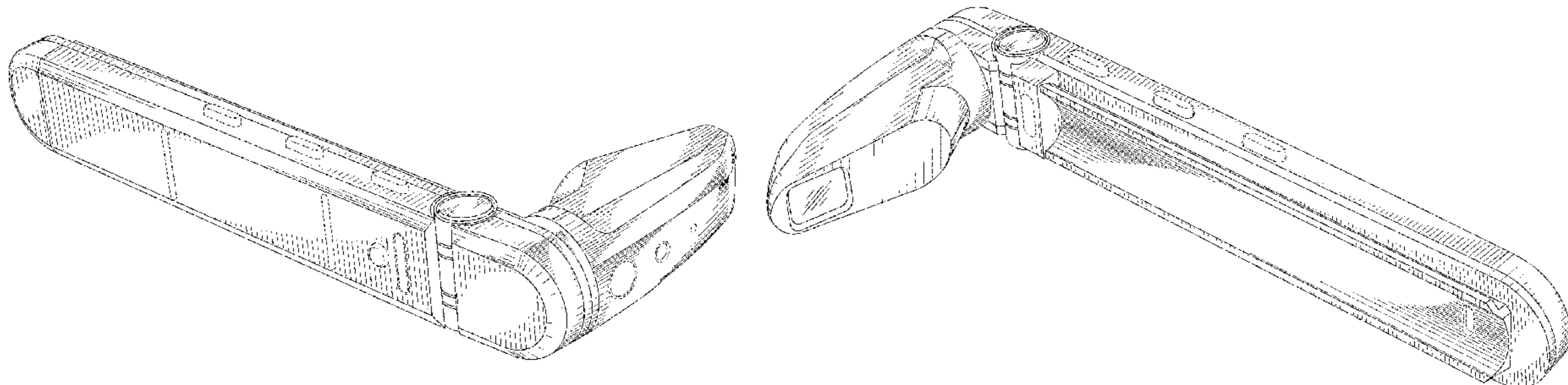
The broken lines of FIGS. 1-10 illustrate portions of the monocular smart glasses that form no part of the claimed design.

(56) **References Cited**

**U.S. PATENT DOCUMENTS**

- D682,268 S 5/2013 Ricks et al.
- D703,724 S \* 4/2014 Olsson ..... D16/300
- D704,247 S 5/2014 Olsson et al.
- D704,705 S \* 5/2014 Mehin ..... D14/372

**1 Claim, 6 Drawing Sheets**



(56)

**References Cited**

## U.S. PATENT DOCUMENTS

D735,193 S \* 7/2015 Lee ..... D14/372  
D735,716 S \* 8/2015 Lee ..... D14/372  
9,329,391 B2 \* 5/2016 Park ..... G06F 1/163  
D761,795 S \* 7/2016 Heinrich ..... D14/372  
D761,796 S \* 7/2016 Heinrich ..... D14/372  
9,389,423 B2 \* 7/2016 Bhardwaj ..... G02B 27/0172  
D765,076 S \* 8/2016 Rochat ..... D14/372  
9,454,012 B2 \* 9/2016 Enokido ..... G02B 27/0101  
D769,873 S \* 10/2016 Cazalet ..... D14/372  
9,465,216 B2 \* 10/2016 Park ..... G02B 27/017  
D778,908 S \* 2/2017 Mase ..... D14/372  
9,568,735 B2 \* 2/2017 Park ..... G02B 27/0176  
9,690,326 B2 \* 6/2017 Ryu ..... G06F 1/1656  
D793,468 S \* 8/2017 Yu ..... D16/309  
D795,865 S \* 8/2017 Porter ..... D14/372  
D795,866 S \* 8/2017 Porter ..... D14/372  
9,726,895 B2 \* 8/2017 Park ..... G02B 27/0176  
9,946,361 B2 \* 4/2018 Shen ..... G06F 3/0304  
2008/0198324 A1 \* 8/2008 Fuziak ..... G02B 27/0172  
351/158  
2009/0201460 A1 \* 8/2009 Blum ..... G02C 5/143  
351/158  
2011/0012814 A1 \* 1/2011 Tanaka ..... G02B 27/0176  
345/8  
2013/0285886 A1 \* 10/2013 Pombo ..... G02B 27/0149  
345/8  
2015/0340010 A1 \* 11/2015 Travers ..... G06F 3/14  
345/520

\* cited by examiner

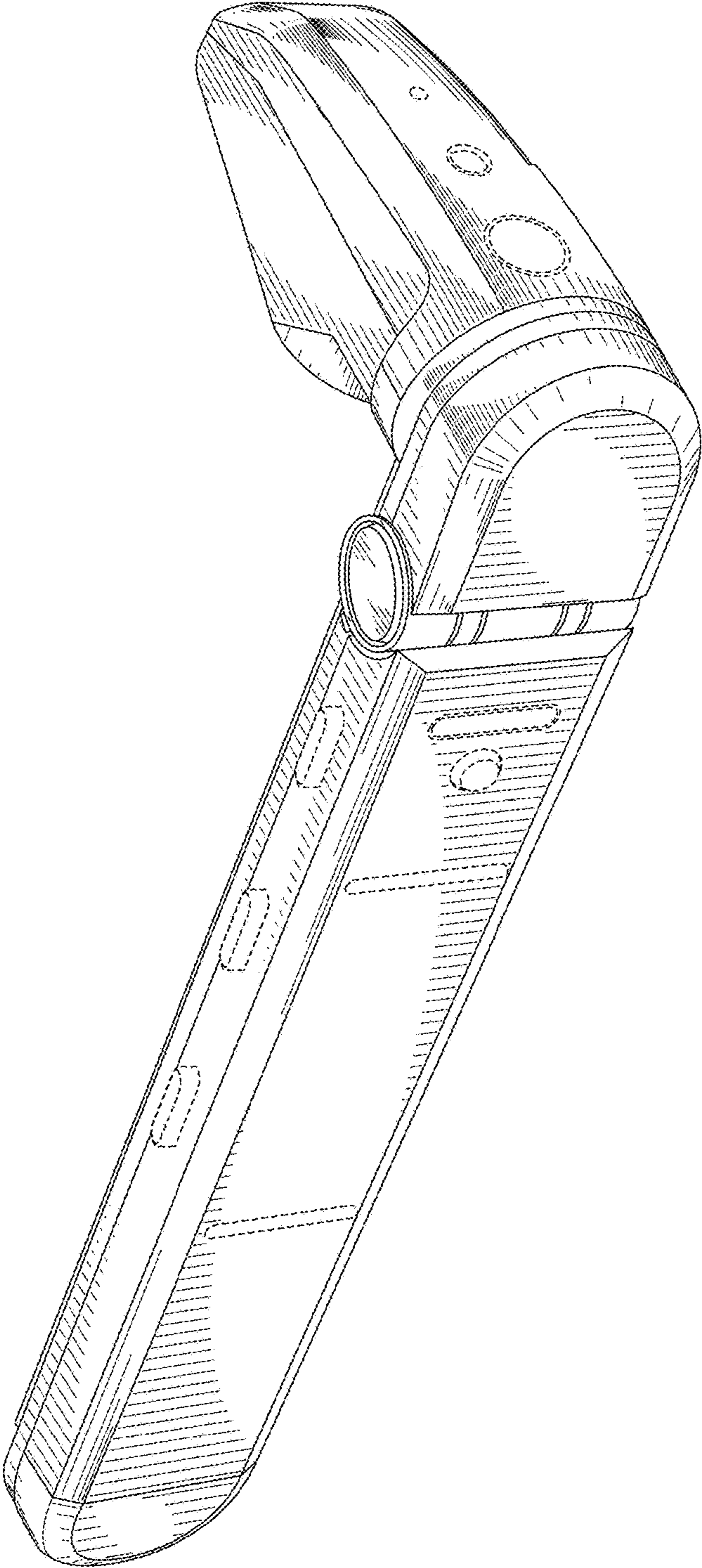


FIG. 1

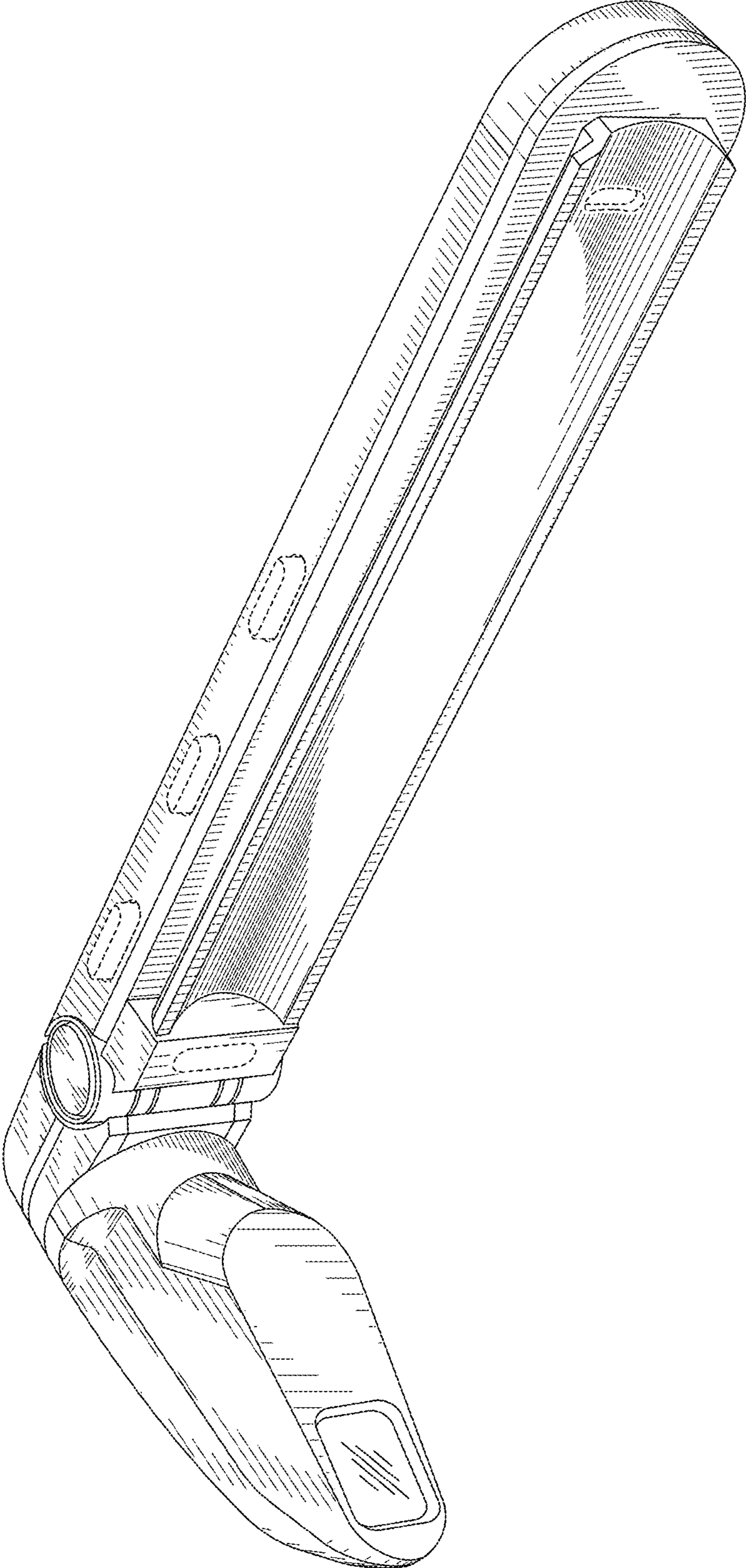


FIG. 2

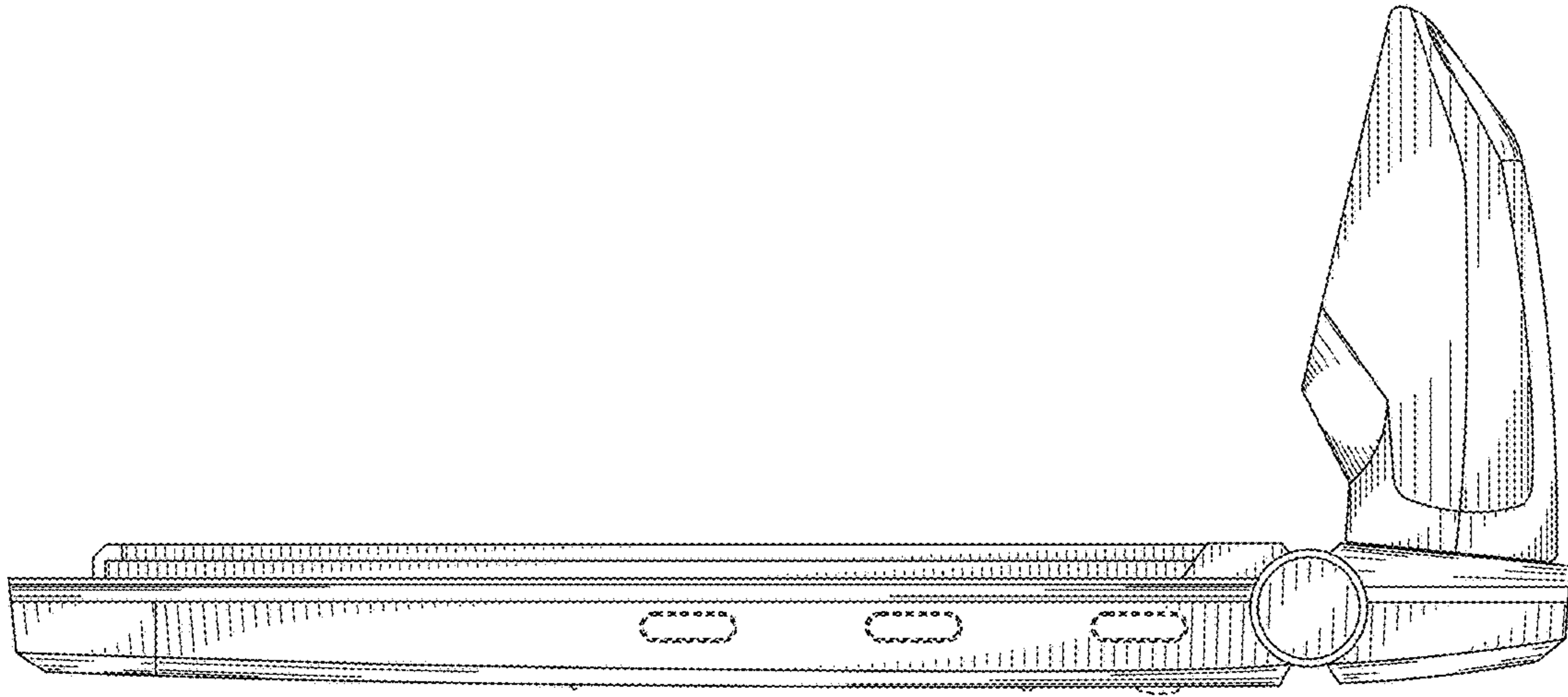


FIG. 3

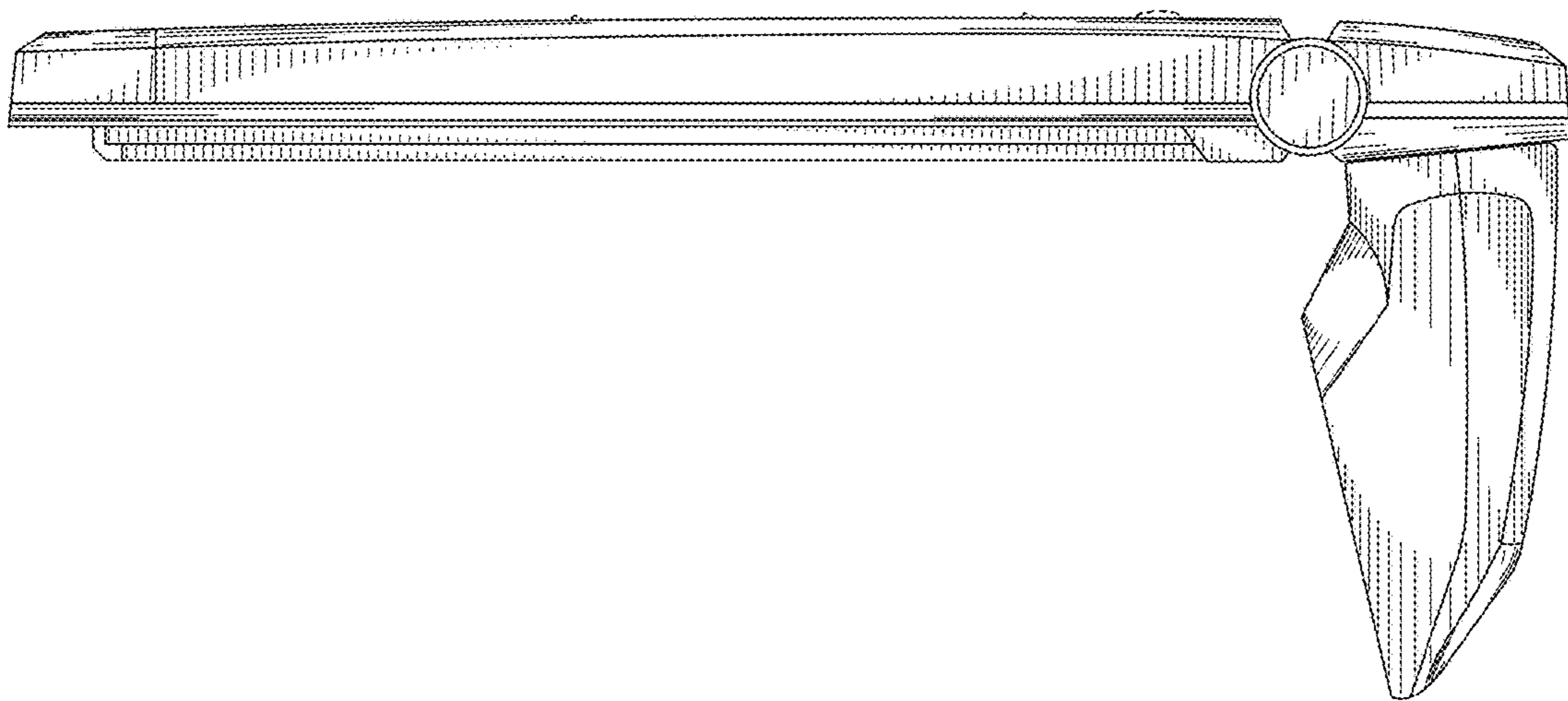


FIG. 4

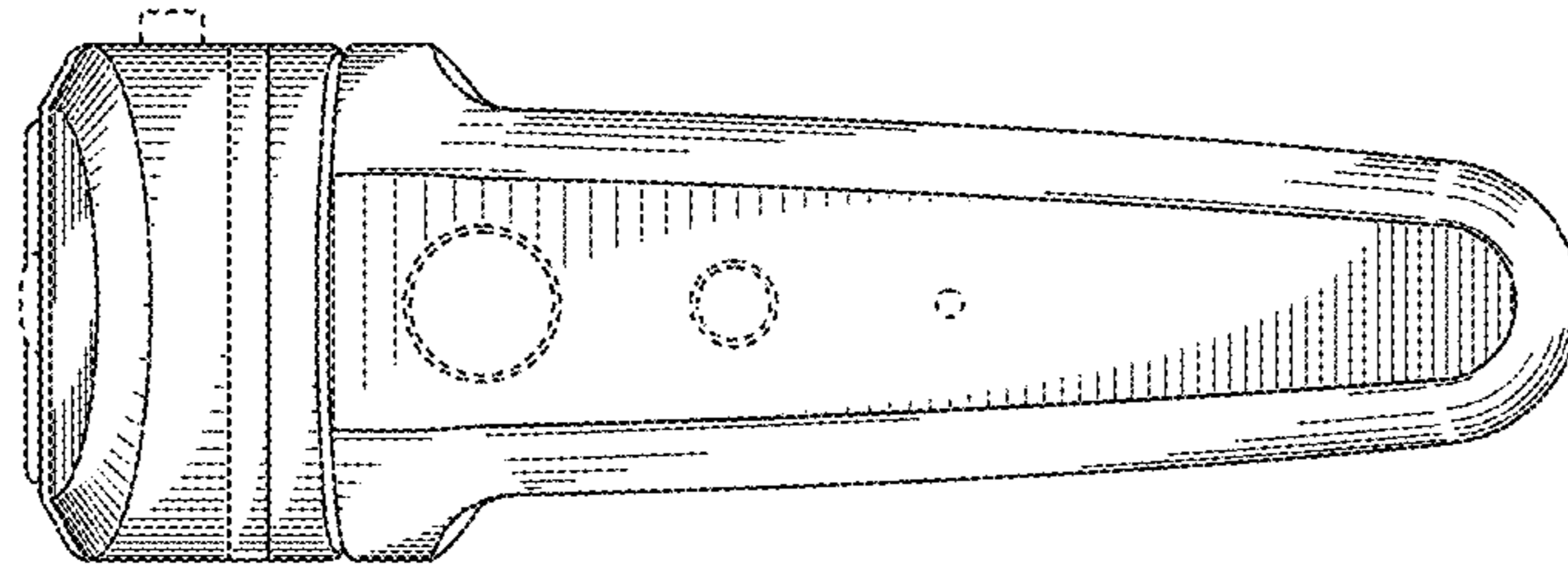


FIG. 5

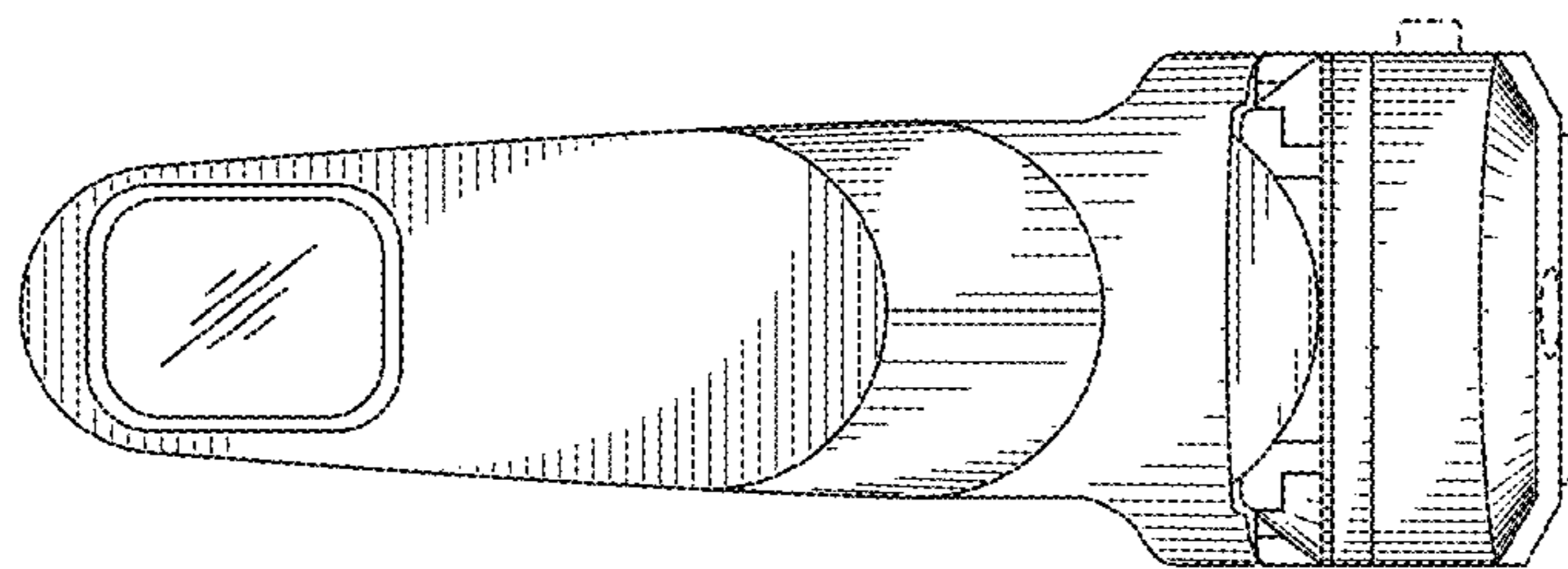


FIG. 6

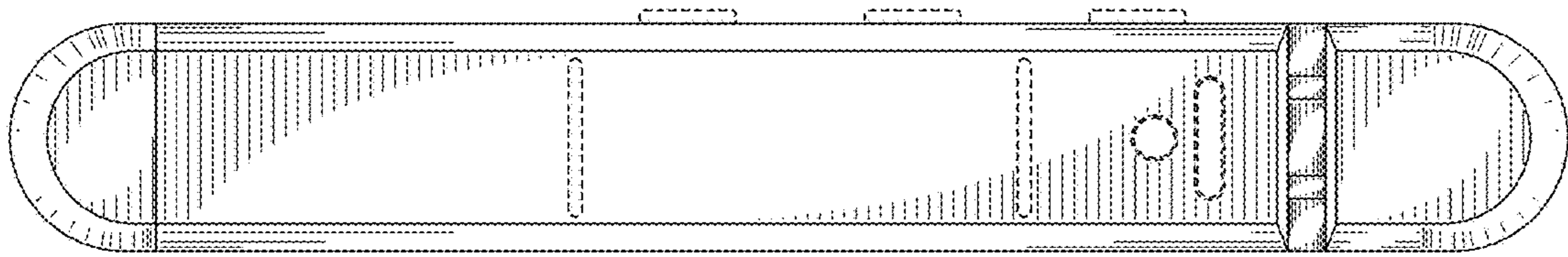


FIG. 7

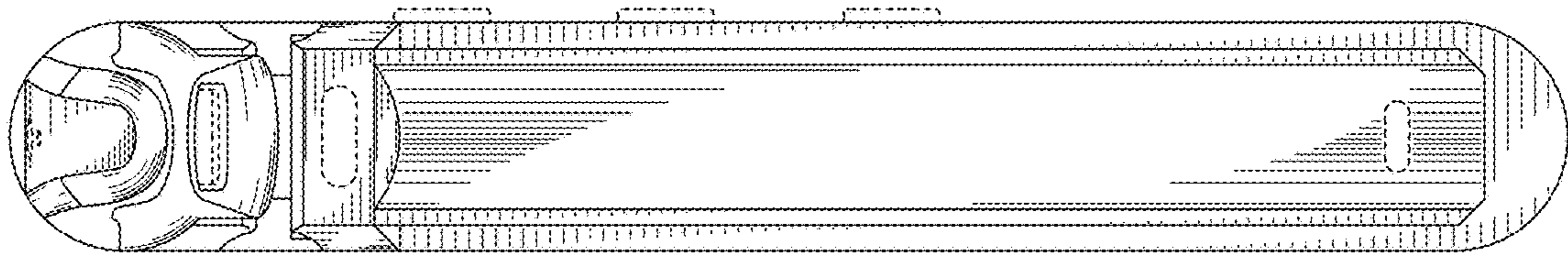


FIG. 8

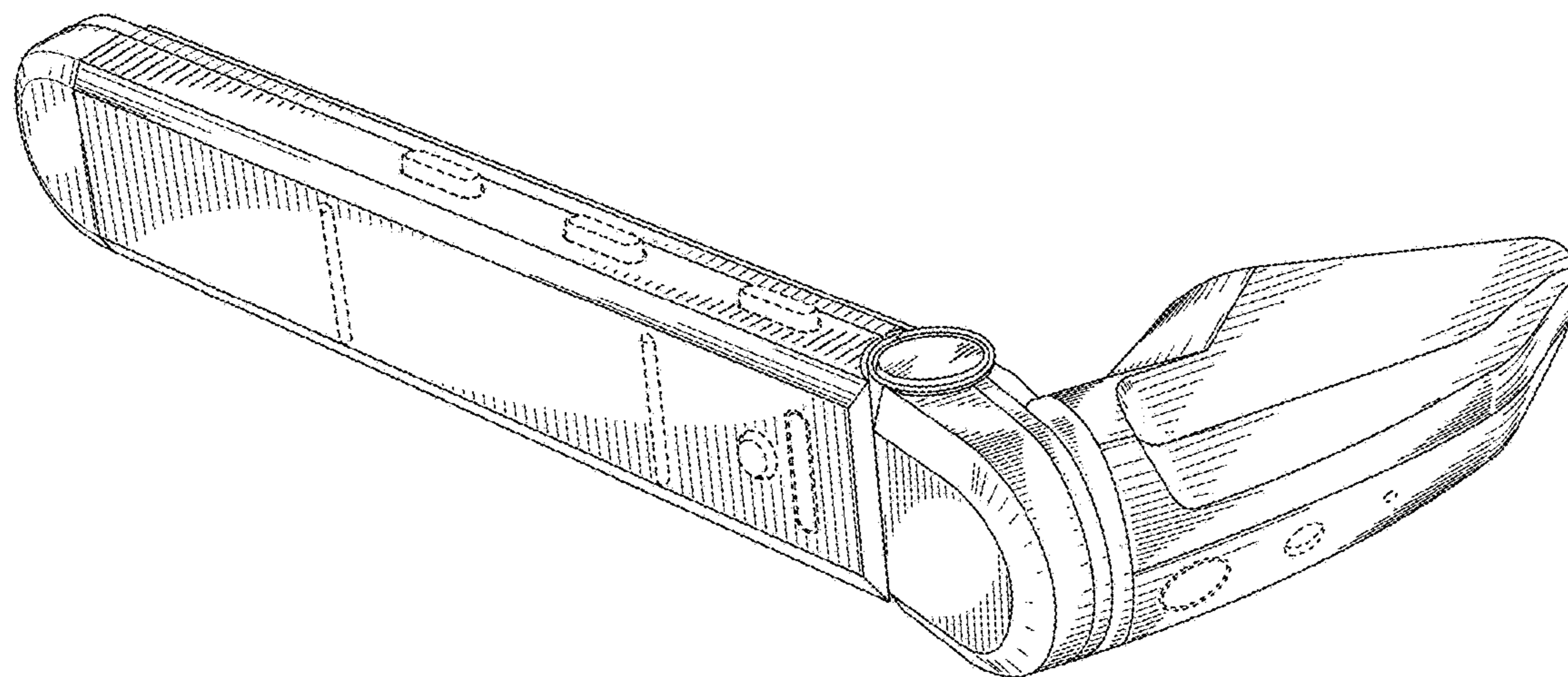


FIG. 9

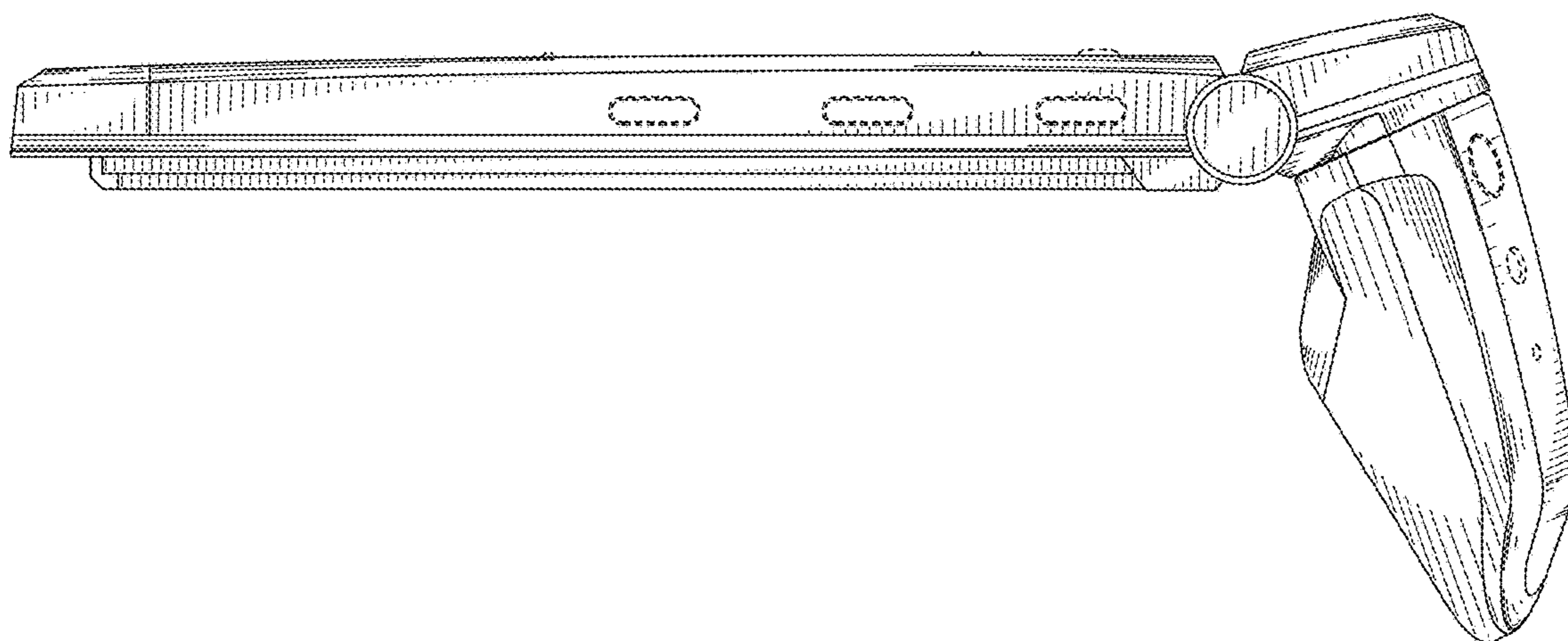


FIG. 10