



US00D850439S

(12) **United States Design Patent**
Jung et al.

(10) **Patent No.:** **US D850,439 S**
(45) **Date of Patent:** **** Jun. 4, 2019**

(54) **NOTEBOOK**

(71) Applicant: **Samsung Electronics Co., Ltd.**,
Suwon-si (KR)

(72) Inventors: **Seung-Ho Jung**, Seoul (KR);
Kyung-Jin Lee, Andong-si (KR)

(73) Assignee: **SAMSUNG ELECTRONICS CO., LTD.**,
Suwon-si (KR)

(**) Term: **15 Years**

(21) Appl. No.: **29/637,253**

(22) Filed: **Feb. 15, 2018**

Related U.S. Application Data

(63) Continuation of application No. 29/581,375, filed on
Oct. 18, 2016, now Pat. No. Des. 814,475.

(51) **LOC (11) Cl.** **14-02**

(52) **U.S. Cl.**
USPC **D14/315**

(58) **Field of Classification Search**
USPC D14/440, 315, 439; 206/45.23, 320,
206/45.2; 361/679.55; 294/25
CPC G06F 1/1628; G06F 1/1626; G06F 1/669;
A47B 23/044; H04B 1/3888
See application file for complete search history.

(56) **References Cited**

U.S. PATENT DOCUMENTS

- 1,527,051 A * 2/1925 Longan G09B 19/00
211/1
- 3,194,560 A * 7/1965 White A63F 3/00643
273/139
- 3,246,112 A * 4/1966 Adams H01H 13/14
200/302.2
- D234,085 S * 1/1975 Stralhammer 26/13
- 4,149,935 A 4/1979 Fields

(Continued)

Primary Examiner — Cynthia R Underwood

(74) *Attorney, Agent, or Firm* — McAndrews Held &
Malloy, Ltd.

(57) **CLAIM**

The ornamental design for a notebook, as shown and
described.

DESCRIPTION

FIG. 1 is a bottom perspective view of a notebook showing
our new design;

FIG. 2 is a front elevation view thereof;

FIG. 3 is a rear elevation view thereof;

FIG. 4 is a left side elevation view thereof;

FIG. 5 is a right side elevation view thereof;

FIG. 6 is a top plan view thereof;

FIG. 7 is a bottom plan view thereof;

FIG. 8 is an enlarged view of the portion 8 encircled in FIG.
1;

FIG. 9 is an enlarged view of the portion 9 encircled in FIG.
1;

FIG. 10 is an enlarged view of the portion 10 encircled in
FIG. 2;

FIG. 11 is an enlarged view of the portion 11 encircled in
FIG. 2;

FIG. 12 is a cross-sectional view thereof taken through the
lines 12-12 in FIG. 10;

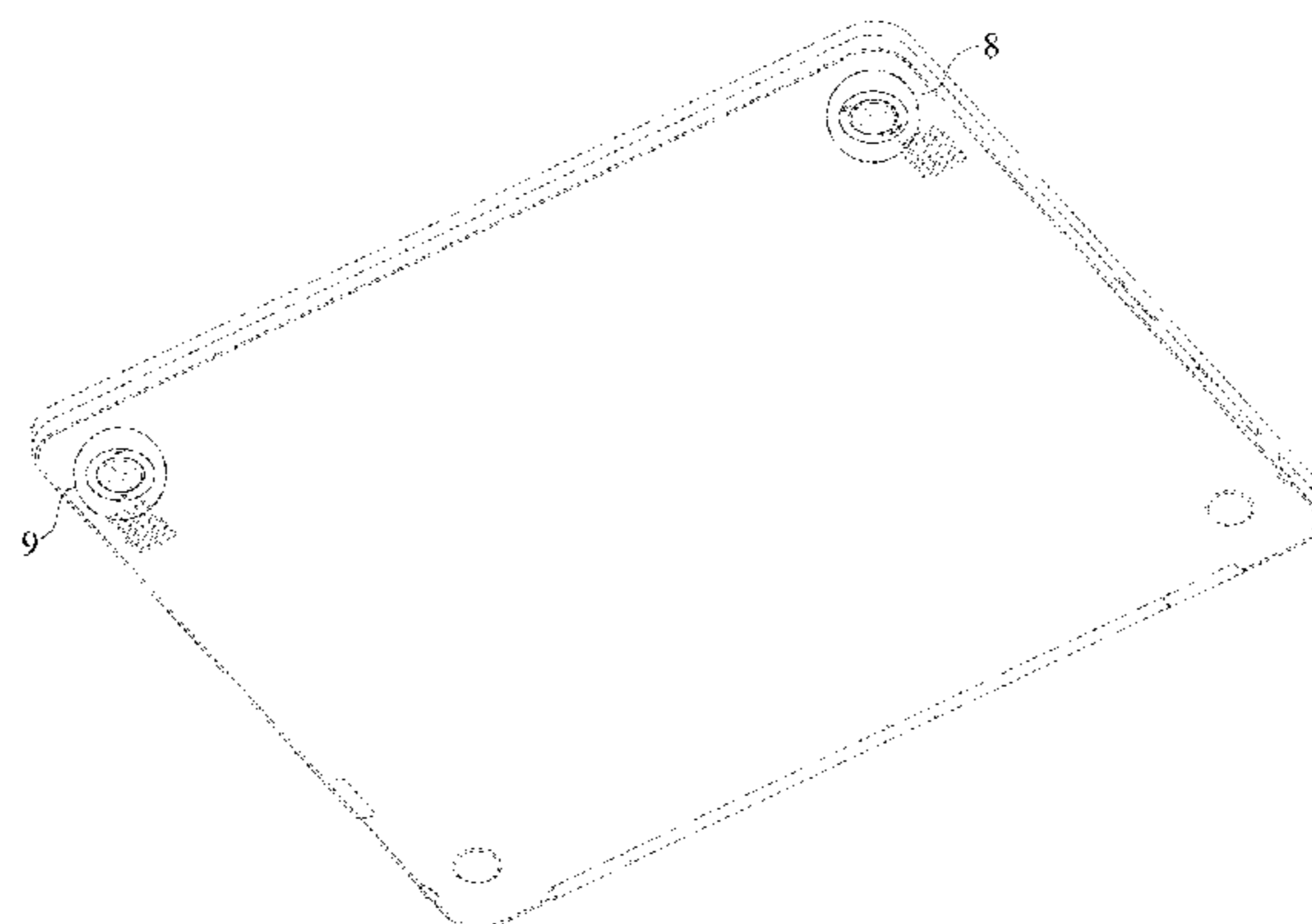
FIG. 13 is a right side elevation view thereof showing our
new design in an open position; and,

FIG. 14 is a right side elevation view thereof showing our
new design in a fully-open tablet position.

The evenly dashed broken lines in the drawings illustrate
portions of the notebook that form no part of the claimed
design.

The dot-dash broken lines in FIGS. 1 and 7-9 define the
boundaries of the claimed design but form no part thereof.
The dot-dot-dash broken lines in FIGS. 1-2 and 8-12
encircle portions of the claimed design that are illustrated in
enlargements, and form no part of the claimed design.

1 Claim, 14 Drawing Sheets



(56)

References Cited

U.S. PATENT DOCUMENTS

4,252,244 A 2/1981 Christian
 D274,631 S * 7/1984 Smith, III D13/169
 4,747,392 A 5/1988 Rogers
 D305,022 S * 12/1989 Hallgren D13/171
 D361,766 S * 8/1995 Mackay D14/160
 5,729,941 A 3/1998 Kassardjian
 D418,837 S * 1/2000 Ishii D14/218
 D423,509 S 4/2000 Park
 6,163,889 A * 12/2000 Tate A01K 97/06
 2/209.13
 6,357,717 B1 * 3/2002 Kennard, IV F16F 1/44
 248/562
 D477,376 S * 7/2003 O'Dell D21/780
 D490,530 S * 5/2004 Chen D24/211
 6,966,851 B1 * 11/2005 England A42B 1/24
 473/406
 D546,818 S 7/2007 Gautier
 D572,206 S 7/2008 Ikeda
 D574,382 S 8/2008 Tsukahara
 D588,670 S * 3/2009 Walz D21/794
 7,640,601 B2 * 1/2010 Lee A42B 1/063
 2/195.1
 D635,545 S 4/2011 Sakai
 8,213,177 B2 * 7/2012 Uttermann H05K 5/0234
 248/188.8
 D670,238 S * 11/2012 Wedding H01J 11/18
 D13/101
 D671,538 S * 11/2012 Kim D14/318
 D671,539 S * 11/2012 Kim D14/318
 D682,821 S * 5/2013 Kim D14/315
 D682,822 S * 5/2013 Kim D14/315
 D682,823 S * 5/2013 Park D14/315
 D682,824 S * 5/2013 Kim D14/315
 D682,825 S * 5/2013 Kim D14/315

D682,826 S * 5/2013 Kim D14/315
 D682,827 S * 5/2013 Park D14/315
 D686,202 S * 7/2013 Lee D14/315
 D686,203 S * 7/2013 Lee D14/315
 D687,819 S * 8/2013 Jung D14/315
 D699,224 S 2/2014 Diamond
 D709,038 S 7/2014 Takama
 D719,935 S 12/2014 Diamond
 8,941,990 B2 * 1/2015 Uttermann H05K 5/0234
 248/188.8
 D729,210 S 5/2015 Behar
 9,084,350 B2 * 7/2015 Ho H05K 5/0234
 D752,503 S * 3/2016 Sethapun D12/345
 9,274,563 B2 * 3/2016 Li G06F 1/166
 D761,249 S 7/2016 Liang
 D761,784 S * 7/2016 Jung D14/315
 D762,637 S * 8/2016 Jung D14/315
 D766,232 S 9/2016 Suzuki
 D766,866 S 9/2016 Cho
 D797,746 S 9/2017 Heiss
 D805,041 S * 12/2017 Koskinen D13/171
 D806,657 S * 1/2018 Russo D13/168
 D819,824 S * 6/2018 Moehlenbrock D24/211
 D826,235 S * 8/2018 Akana D14/439
 D827,645 S * 9/2018 Raken D14/388
 D837,328 S * 1/2019 Rocco D21/812
 2008/0226978 A1 * 9/2008 Kim B29C 45/1676
 429/163
 2008/0251663 A1 * 10/2008 Tracy A47B 91/00
 248/188.8
 2008/0253081 A1 * 10/2008 Tracy G06F 1/1616
 361/679.5
 2010/0001150 A1 * 1/2010 Chiu A47B 91/005
 248/188.8
 2013/0063890 A1 * 3/2013 Takeguchi G06F 1/1615
 361/679.55

* cited by examiner

FIG. 1

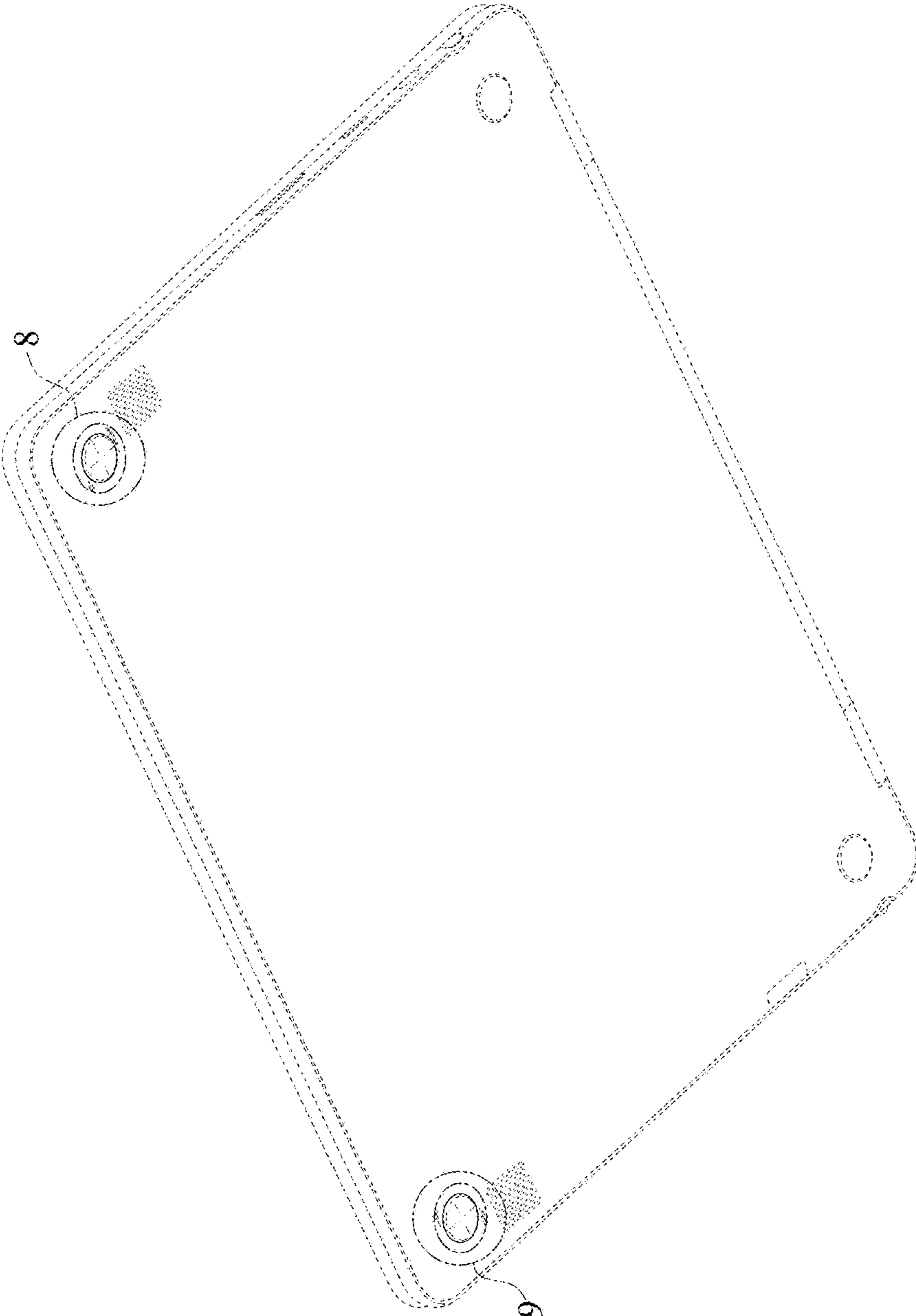


FIG. 2

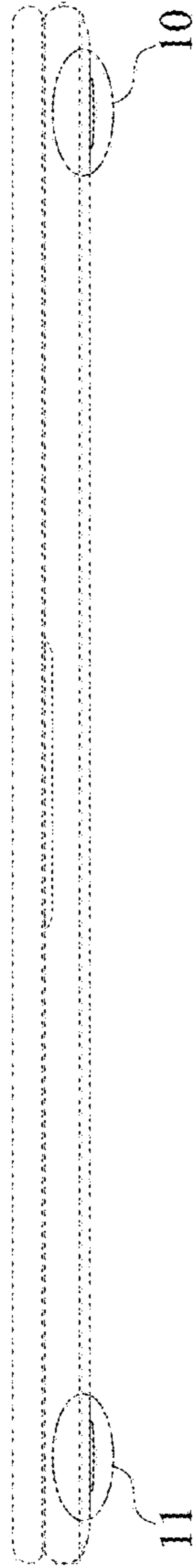


FIG. 3

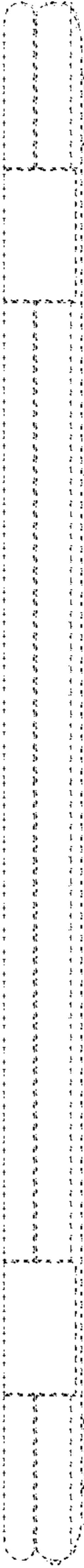


FIG. 4

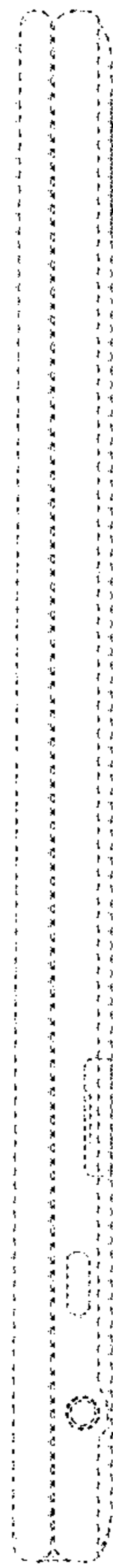


FIG. 5

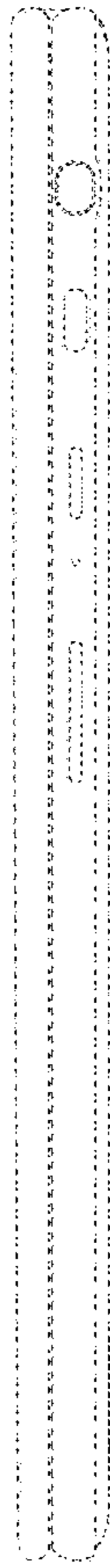


FIG. 6

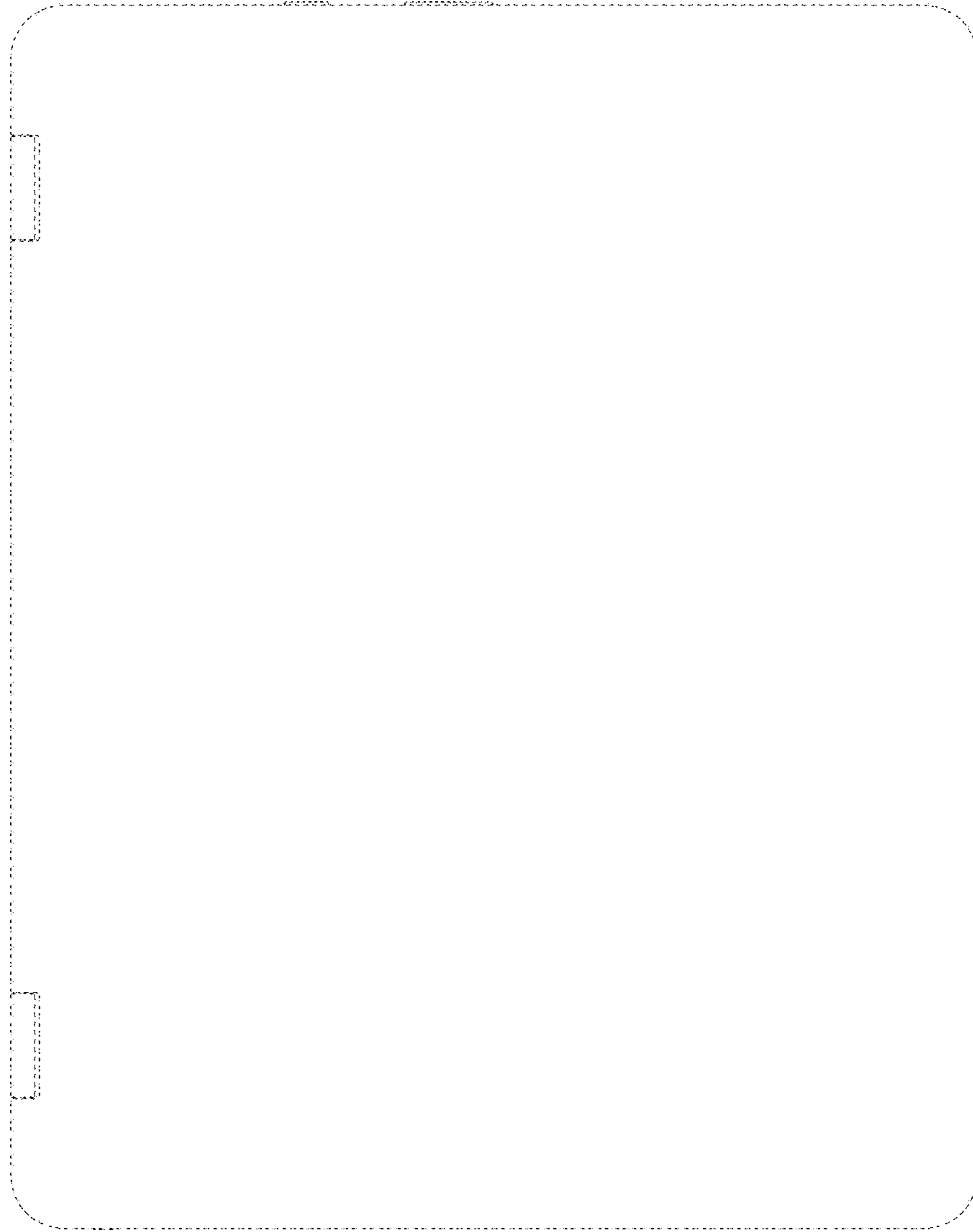


FIG. 7

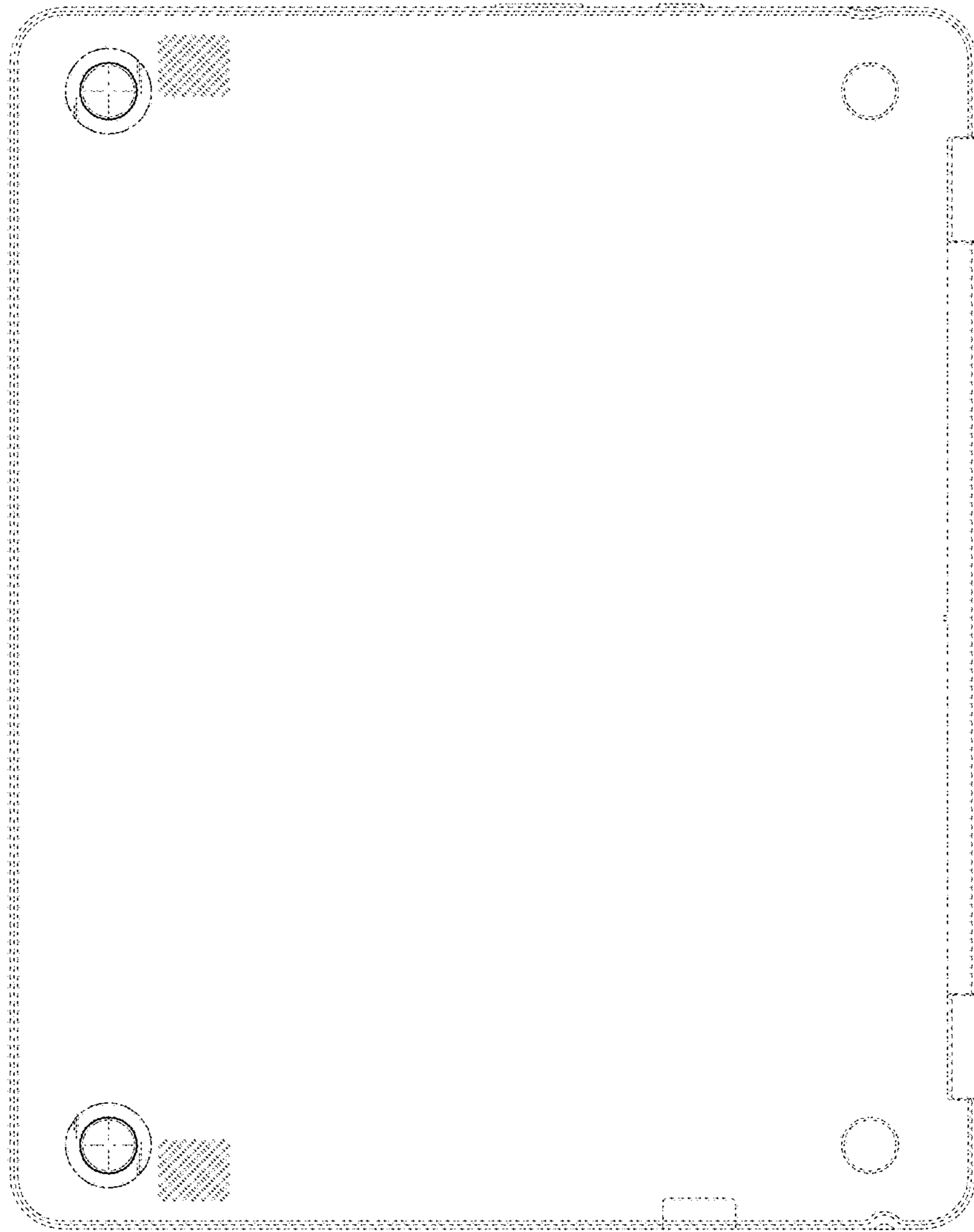


FIG. 8

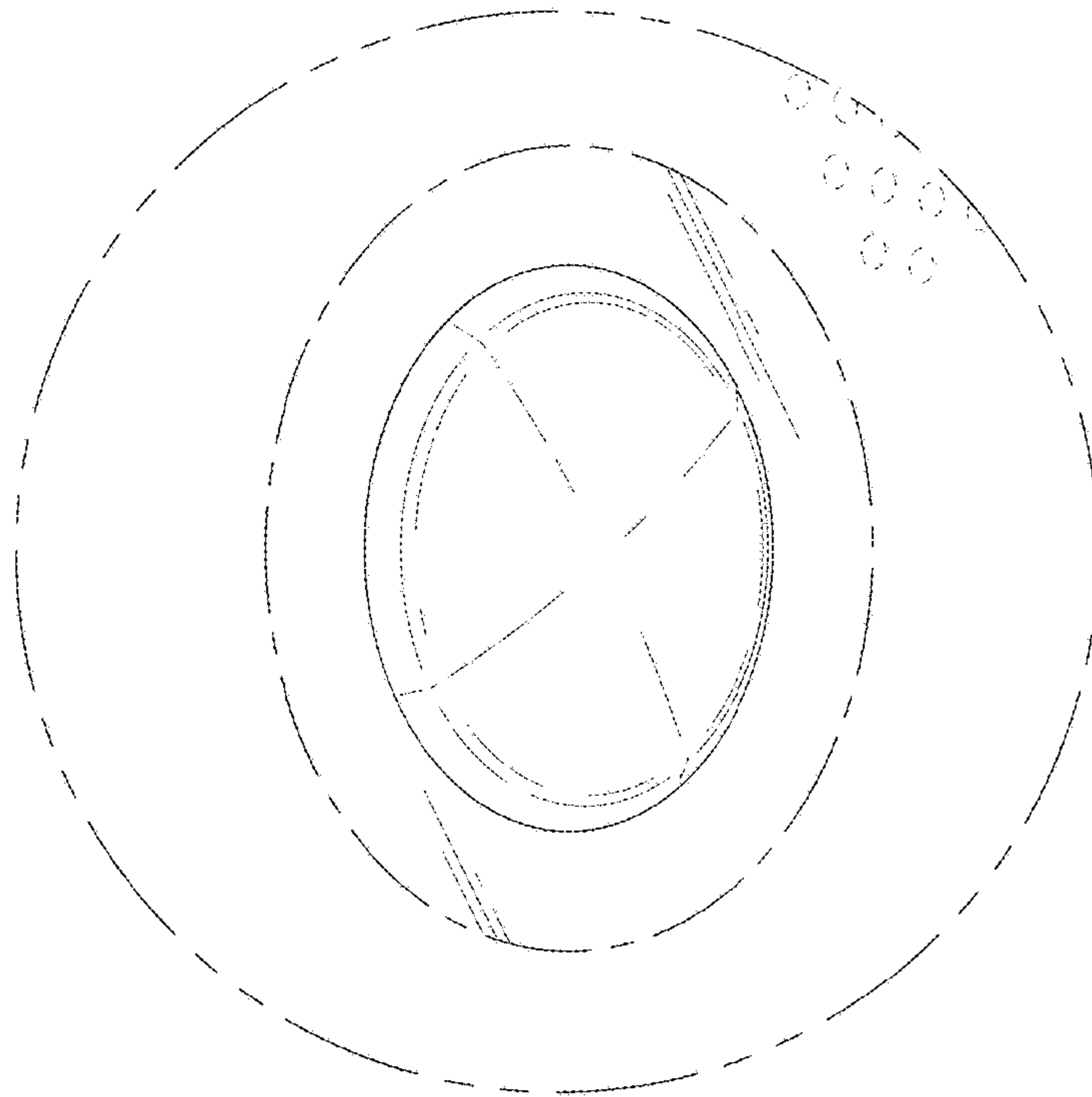


FIG. 9

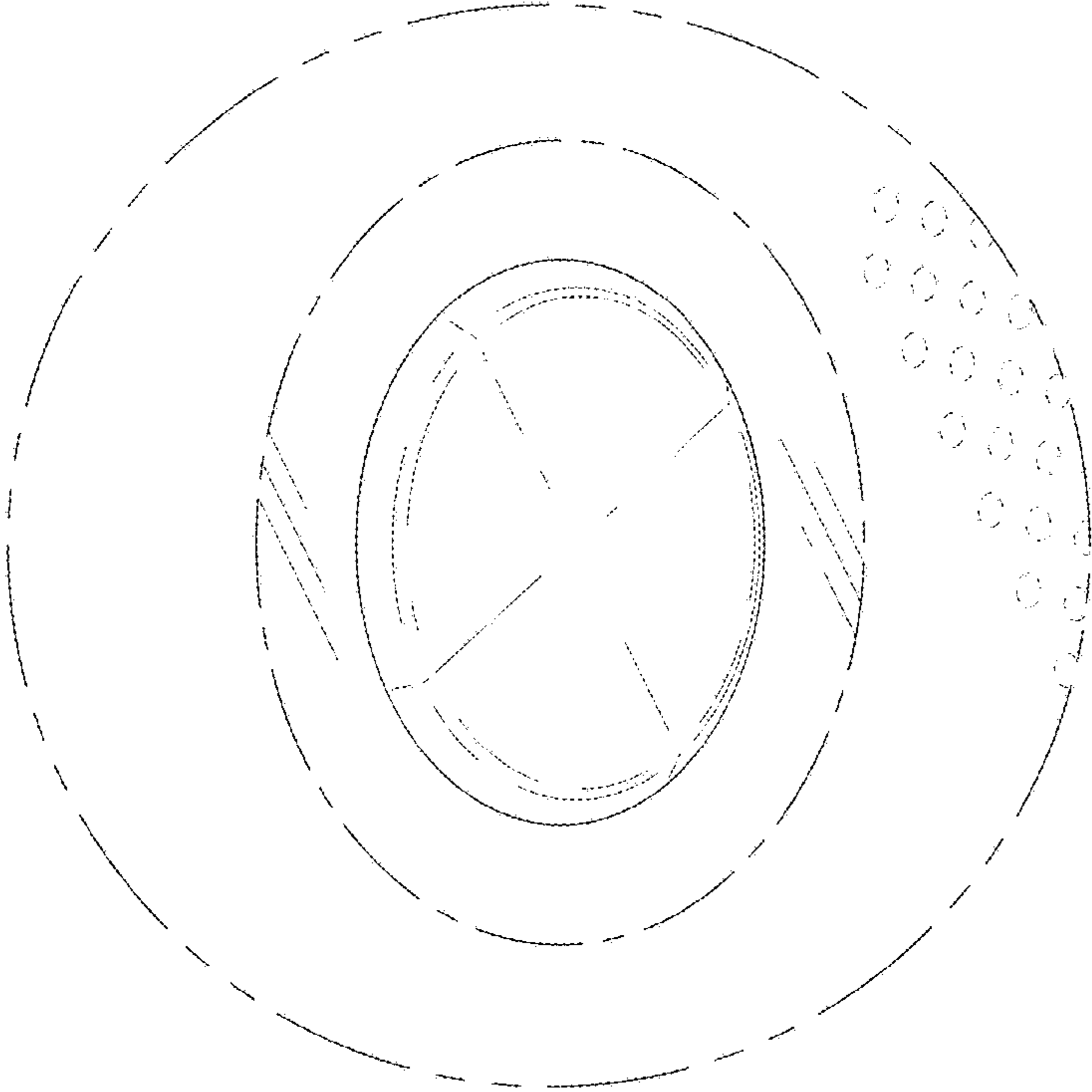


FIG. 10

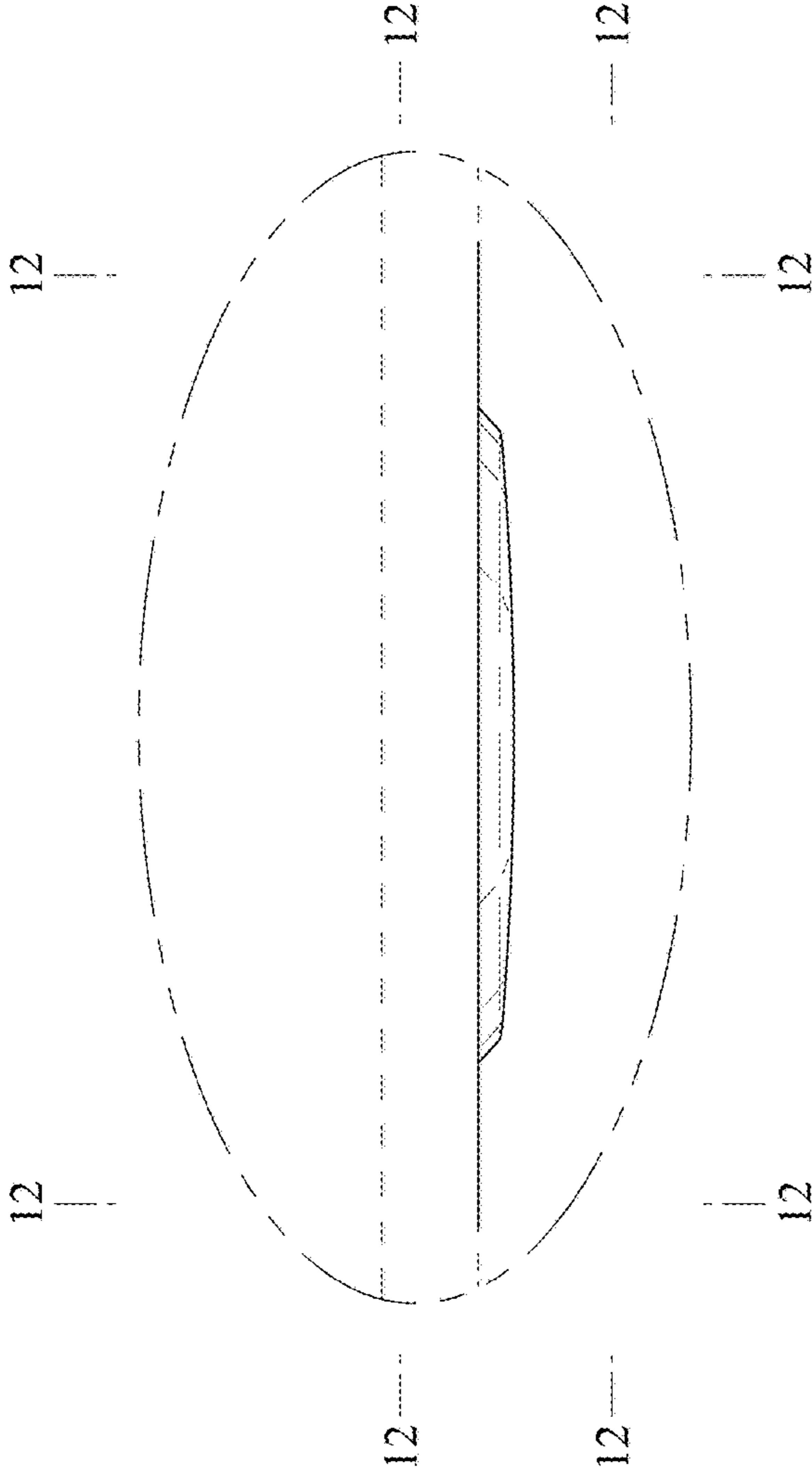


FIG. 11

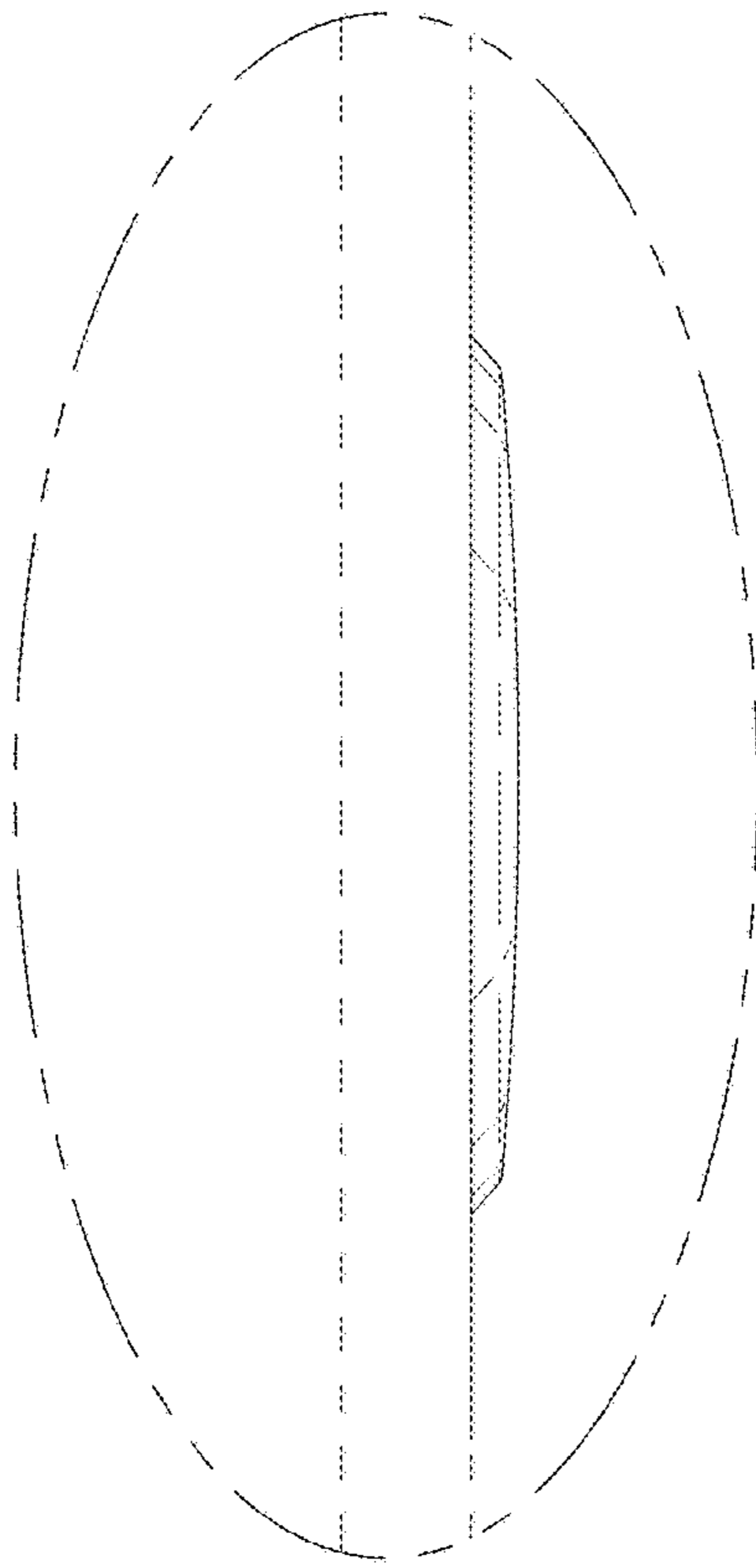


FIG. 12

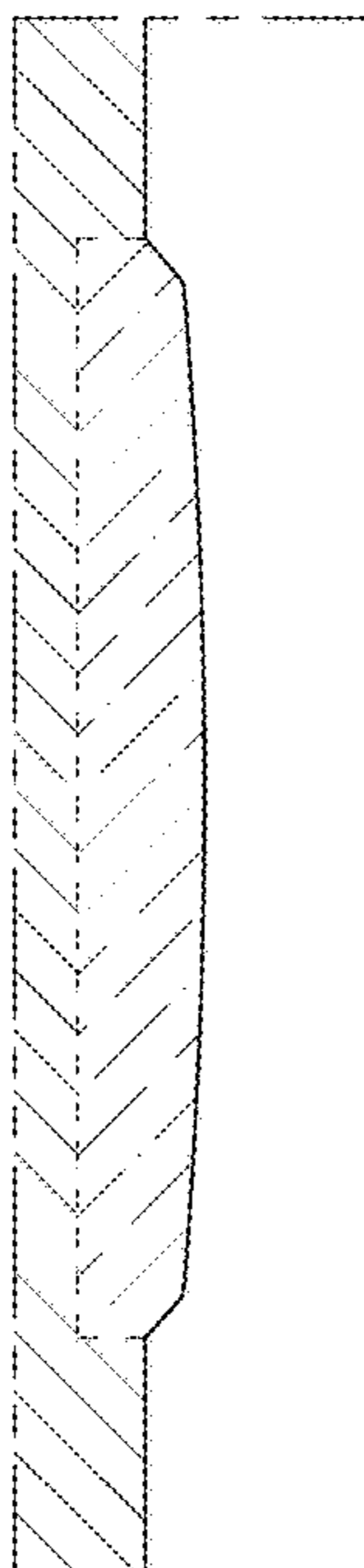


FIG. 13

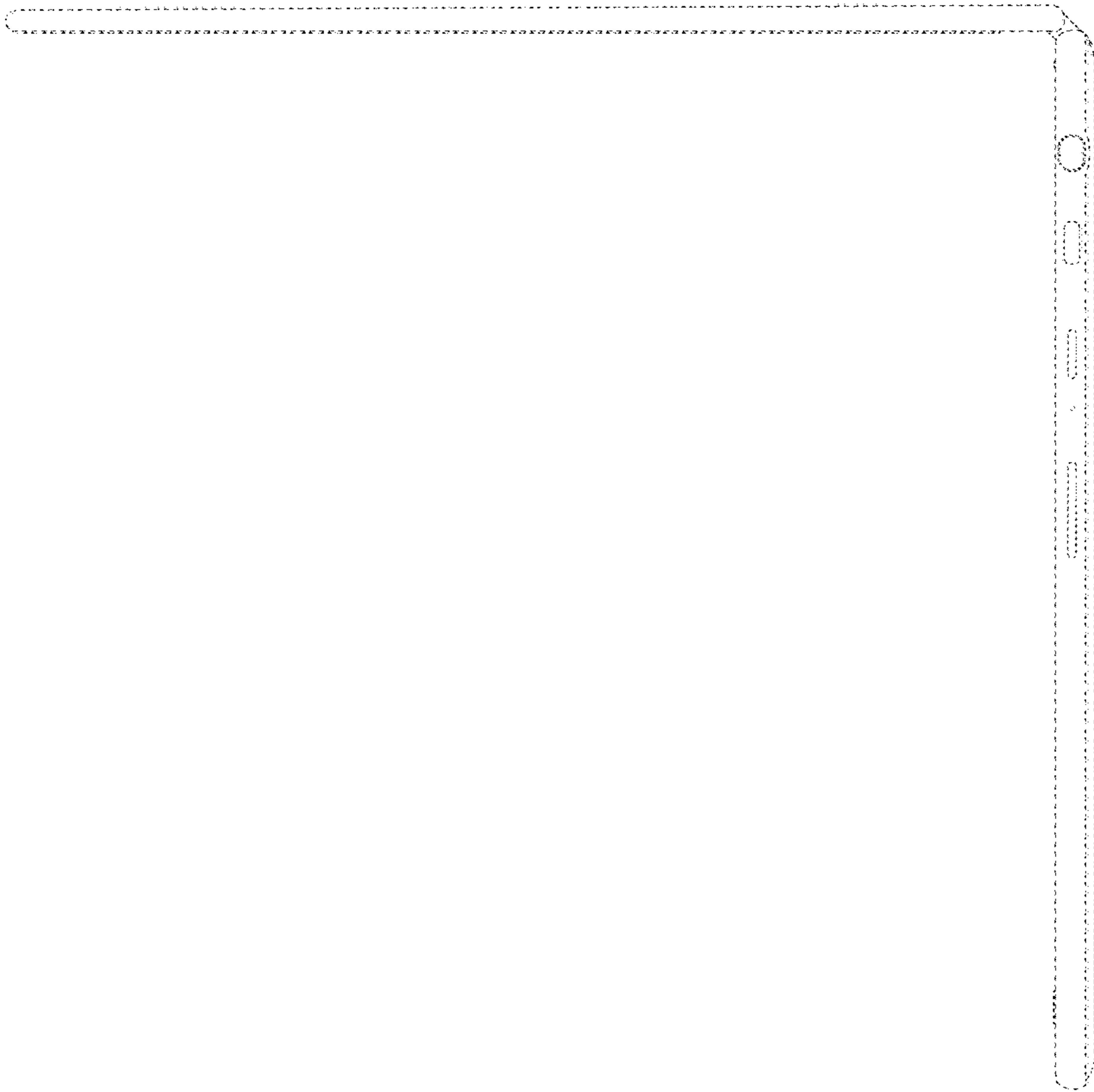


FIG. 14

