



US00D850437S

(12) **United States Design Patent** (10) **Patent No.:** **US D850,437 S**
Wang (45) **Date of Patent:** **** Jun. 4, 2019**

(54) **CELLPHONE HOLDER**

(56) **References Cited**

(71) Applicant: **Shenzhen Tegong Electronic Technology Co., Ltd., Shenzhen (CN)**

U.S. PATENT DOCUMENTS

(72) Inventor: **Bing Wang, Shenzhen (CN)**

D361,598 S *	8/1995	Adams	D19/77
D362,685 S *	9/1995	Perkitny	D19/75
D572,311 S *	7/2008	Curless	D19/91
D647,525 S *	10/2011	Seto	D14/434
D668,662 S *	10/2012	Suiter	D14/447
D669,064 S *	10/2012	Huang	D14/251
D672,350 S *	12/2012	Gioscia	D14/434
D702,761 S *	4/2014	Foley	D19/77
D730,090 S *	5/2015	Christal	D6/675.3
D757,730 S *	5/2016	Fletcher	D14/434
D779,493 S *	2/2017	Eliyahu	D14/217
D811,099 S *	2/2018	Marchand	D6/310
D811,255 S *	2/2018	Lee	D10/106.3

(73) Assignee: **SHENZHEN TEGONG ELECTRONIC TECHNOLOGY CO., LTD, Shenzhen (CN)**

(**) Term: **15 Years**

(21) Appl. No.: **29/612,977**

* cited by examiner

(22) Filed: **Aug. 6, 2017**

(51) **LOC (11) Cl.** **14-03**

Primary Examiner — Jeffrey D Asch
Assistant Examiner — Rebekah A Caruso

(52) **U.S. Cl.**
USPC **D14/253**; D14/434; D19/77

(57) **CLAIM**

(58) **Field of Classification Search**

The ornamental design for a cellphone holder, as shown and described.

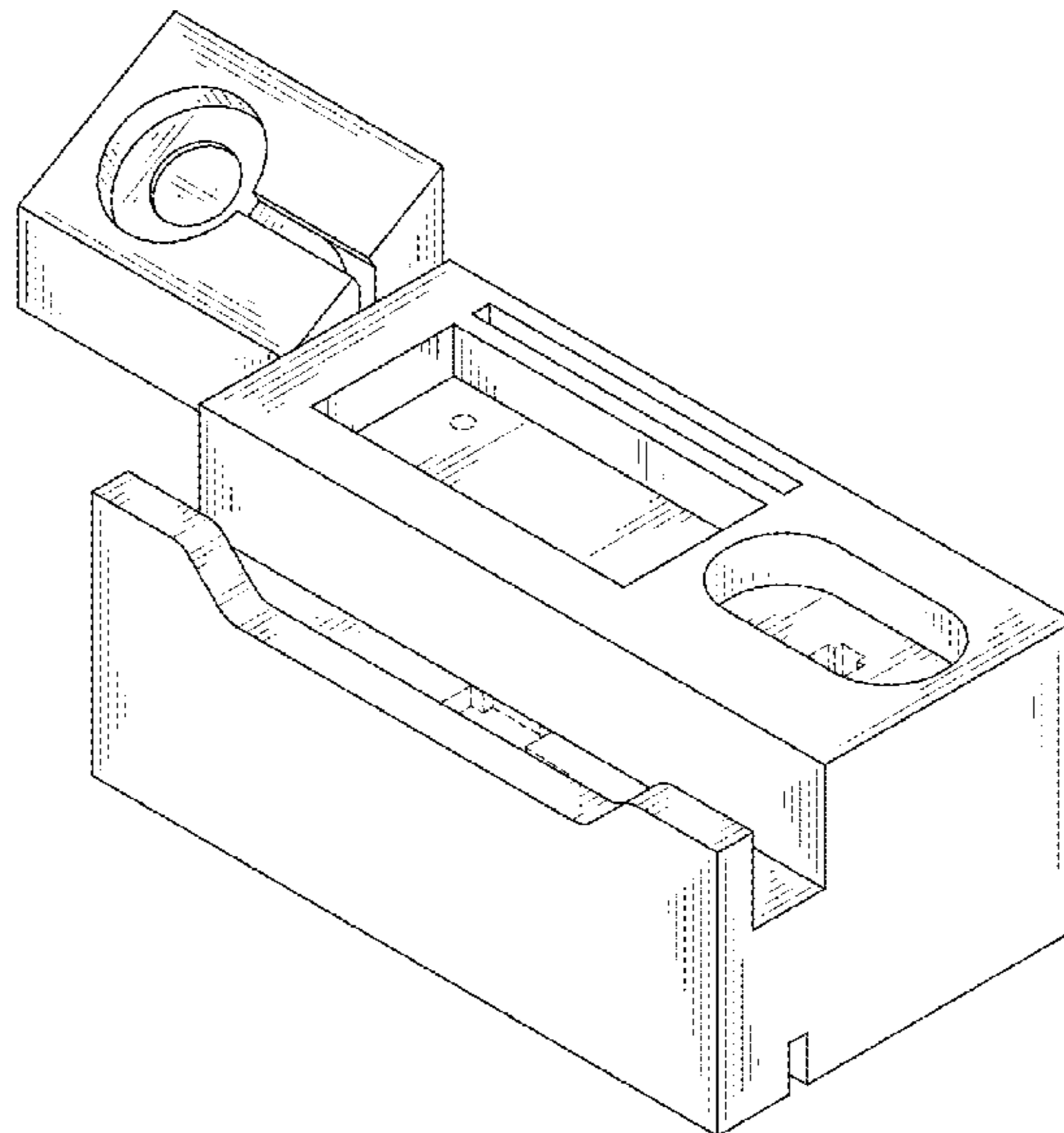
USPC D14/250–254, 172, 192, 203.3–203.7, D14/217, 224, 224.1, 229, 238, 238.1, D14/299, 447, 483, 451, 452, 434; D13/103, 107, 108, 119; D3/201, 218, D3/226; D16/242; D10/74; D8/382, D8/349; D6/567; D19/75, 77, 91
CPC .. H04M 1/026; H04M 1/0295; H04M 1/0279; H04M 1/0281; H04M 1/0283; H04B 1/3877; H04B 1/3883; H04B 1/3888; A45F 2200/0516; A45F 2200/0525; A45C 11/00; A45C 2011/002; A45C 13/1069; H05K 5/02; H05K 5/0204; H05K 5/0073; H05K 7/14; F16M 13/00; F16M 13/02; F16M 13/022; B60R 11/00; B60R 11/02; B60R 11/0241; B60R 11/0258

DESCRIPTION

FIG. 1 is a perspective view of a cellphone holder showing my new design;
FIG. 2 is similar to FIG. 1, viewed from another aspect;
FIG. 3 is a front elevational view thereof;
FIG. 4 is a rear elevational view thereof;
FIG. 5 is a left side elevational view thereof;
FIG. 6 is a right side elevational view thereof;
FIG. 7 is a top plan view thereof; and,
FIG. 8 is a bottom plan view thereof.
The broken lines in the drawings are for the purpose of illustrating portions of the cellphone holder and form no part of the claimed design.

See application file for complete search history.

1 Claim, 8 Drawing Sheets



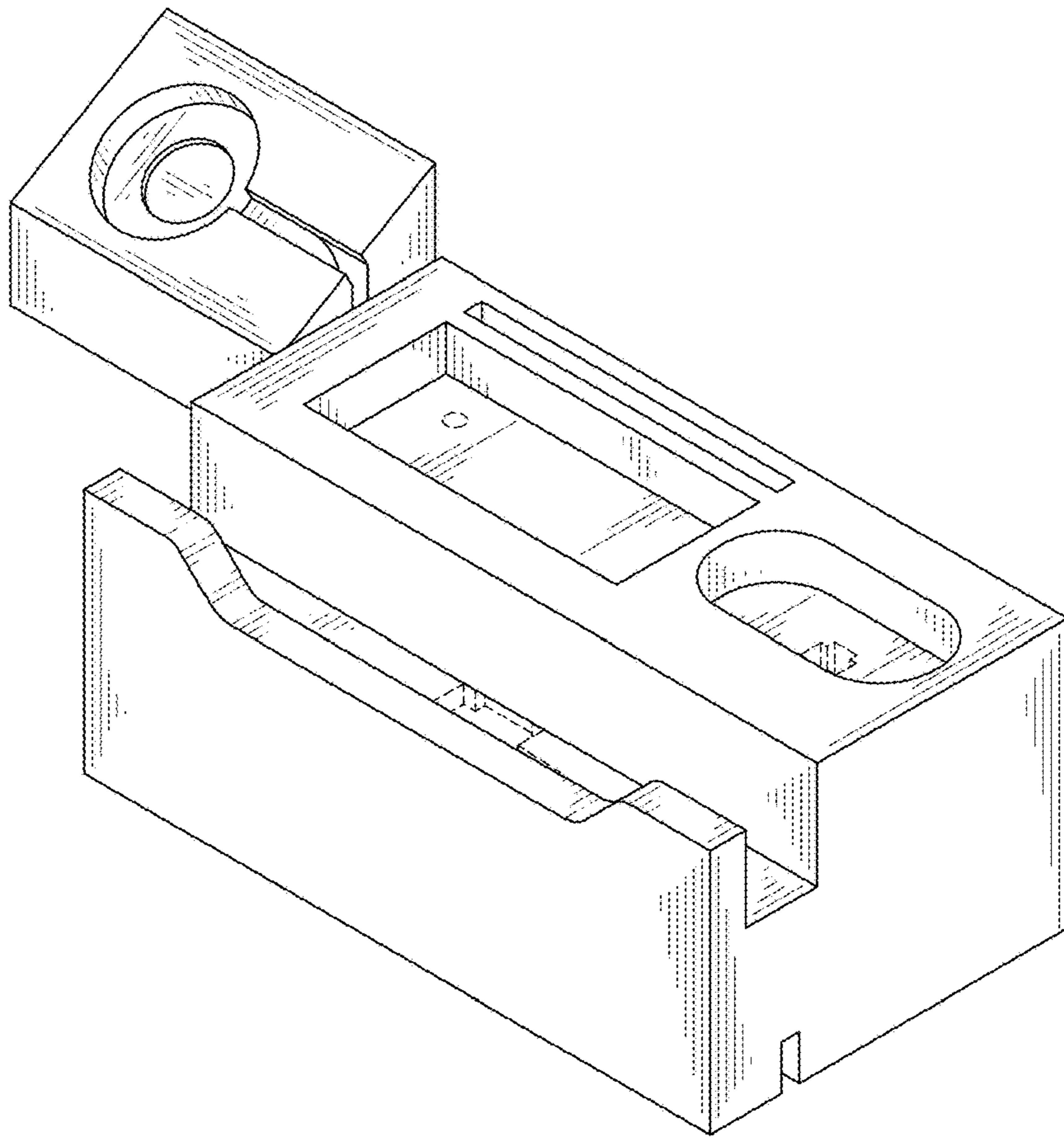


FIG. 1

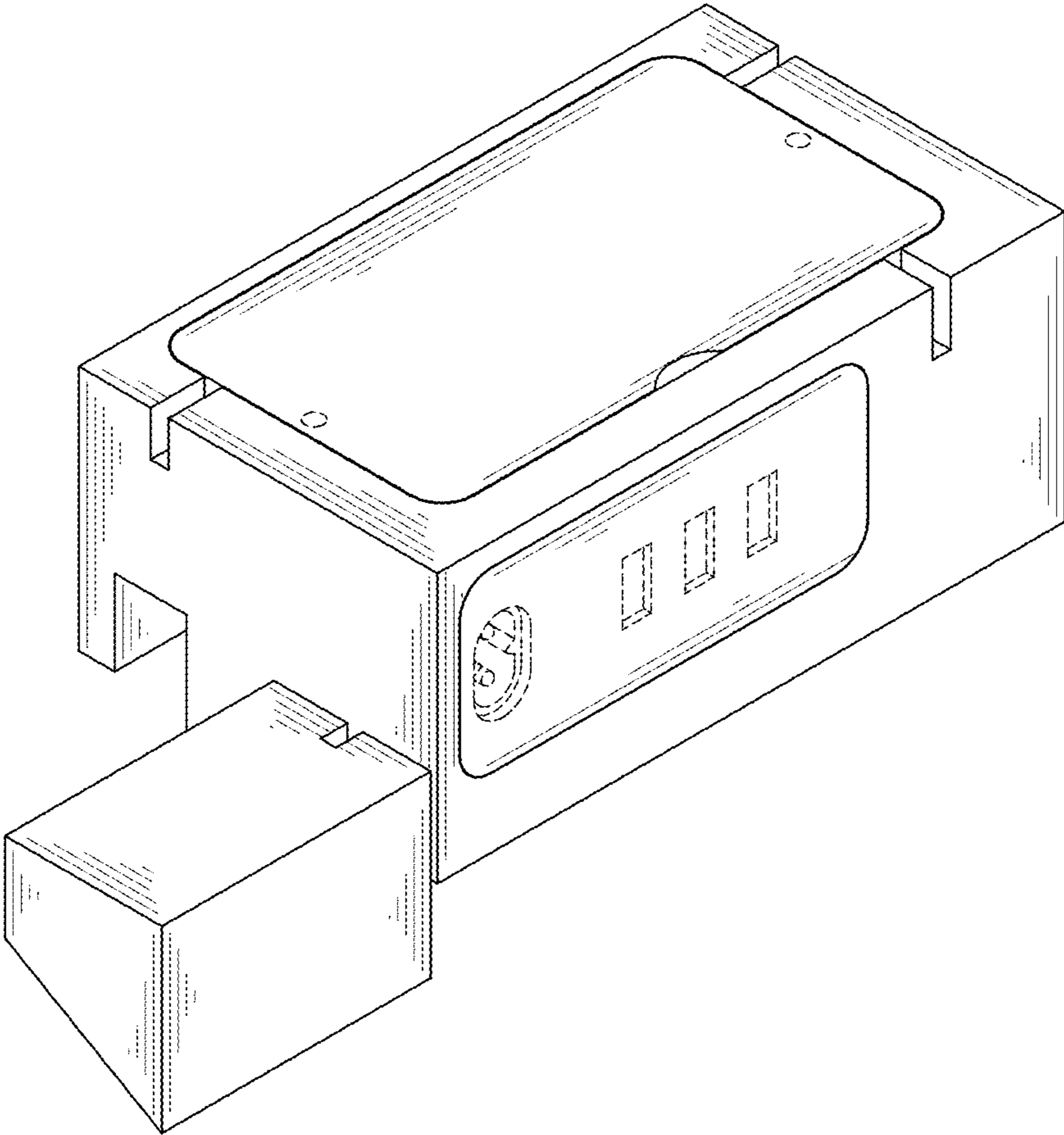


FIG. 2

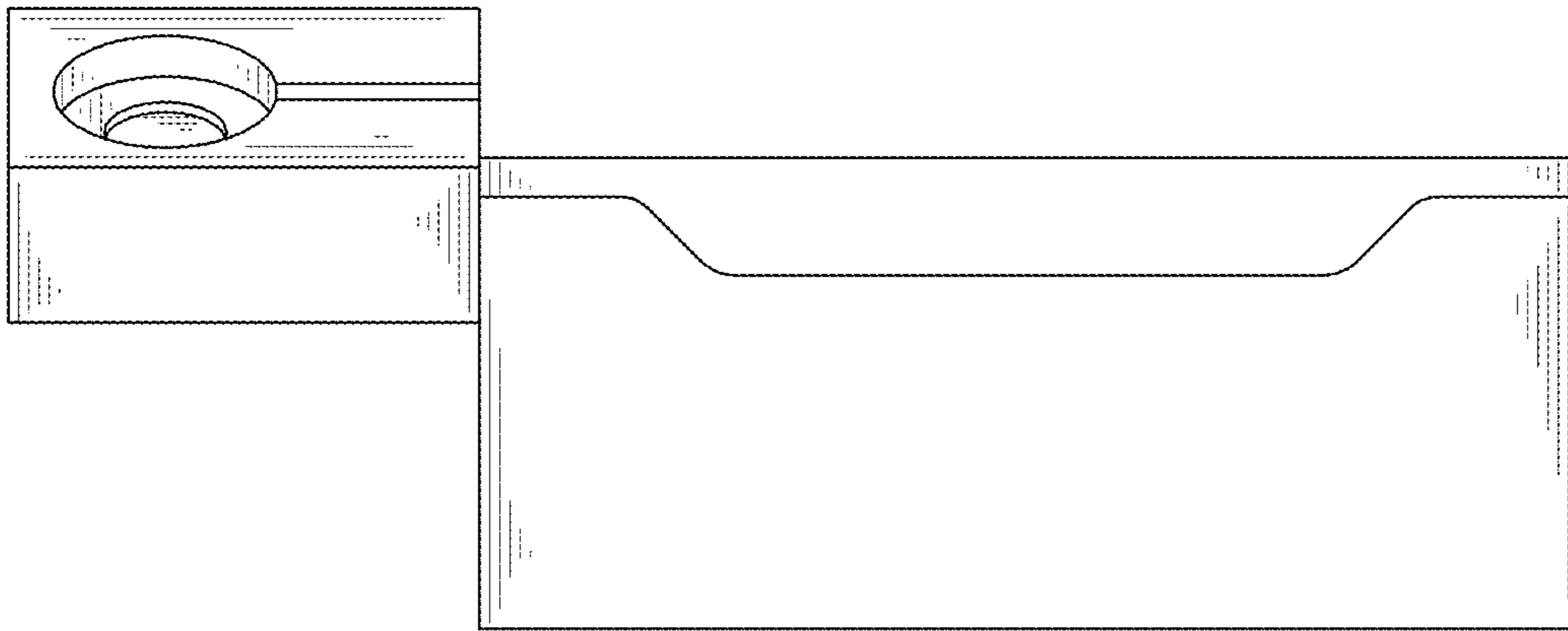


FIG. 3

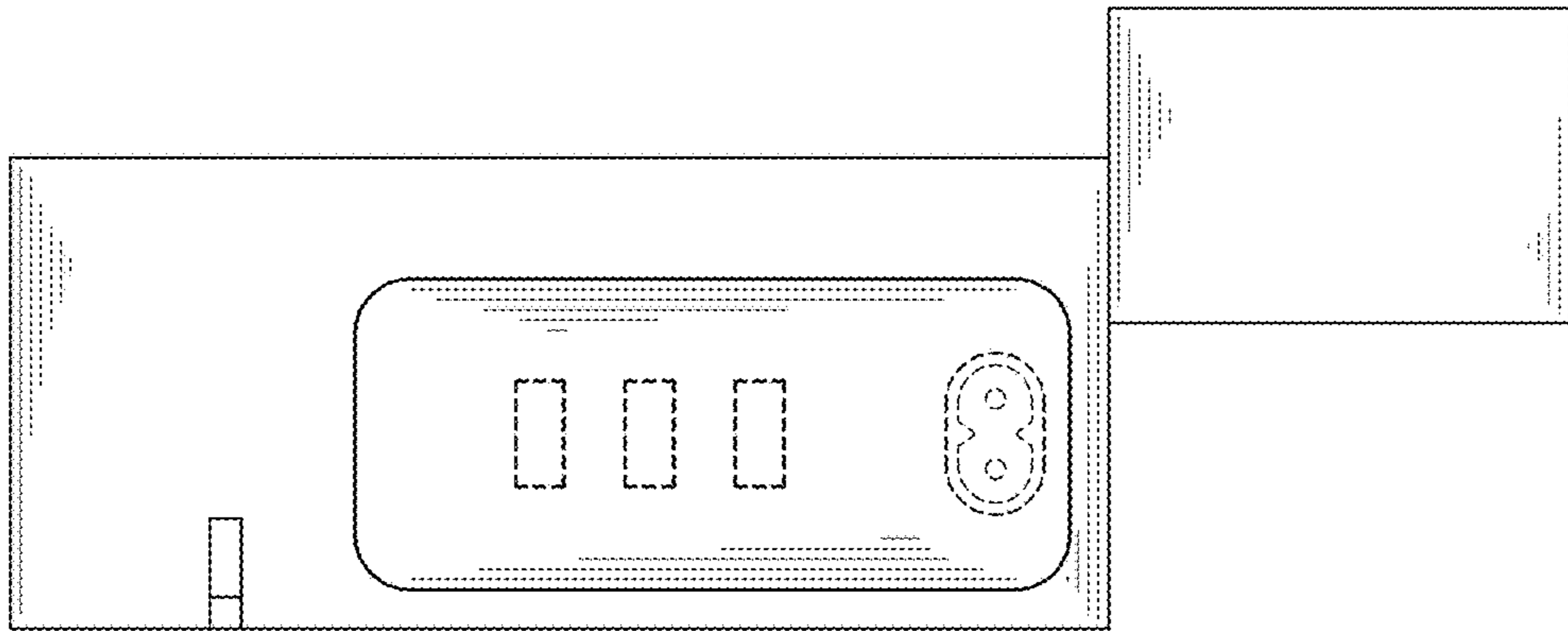


FIG. 4

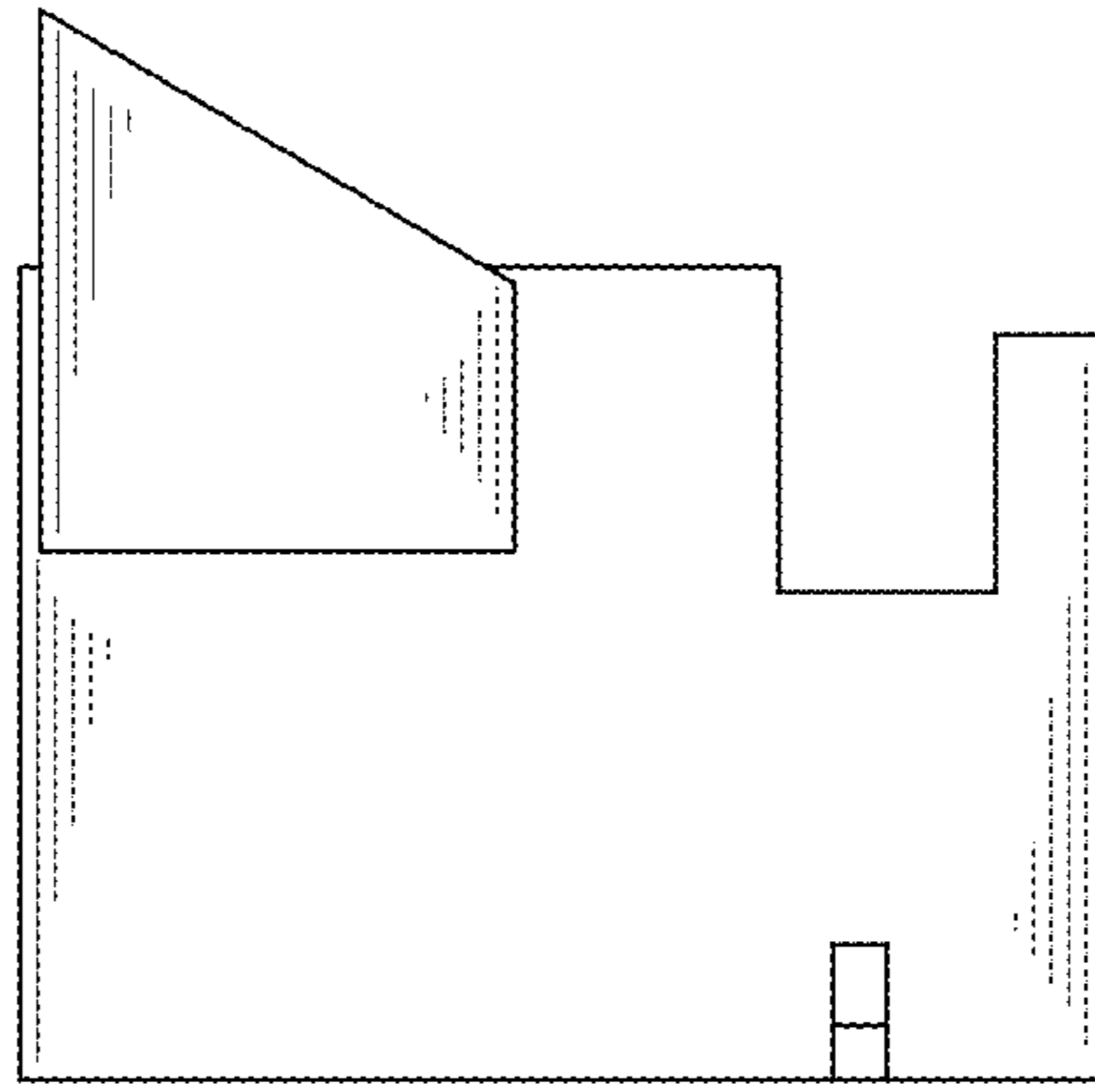


FIG. 5

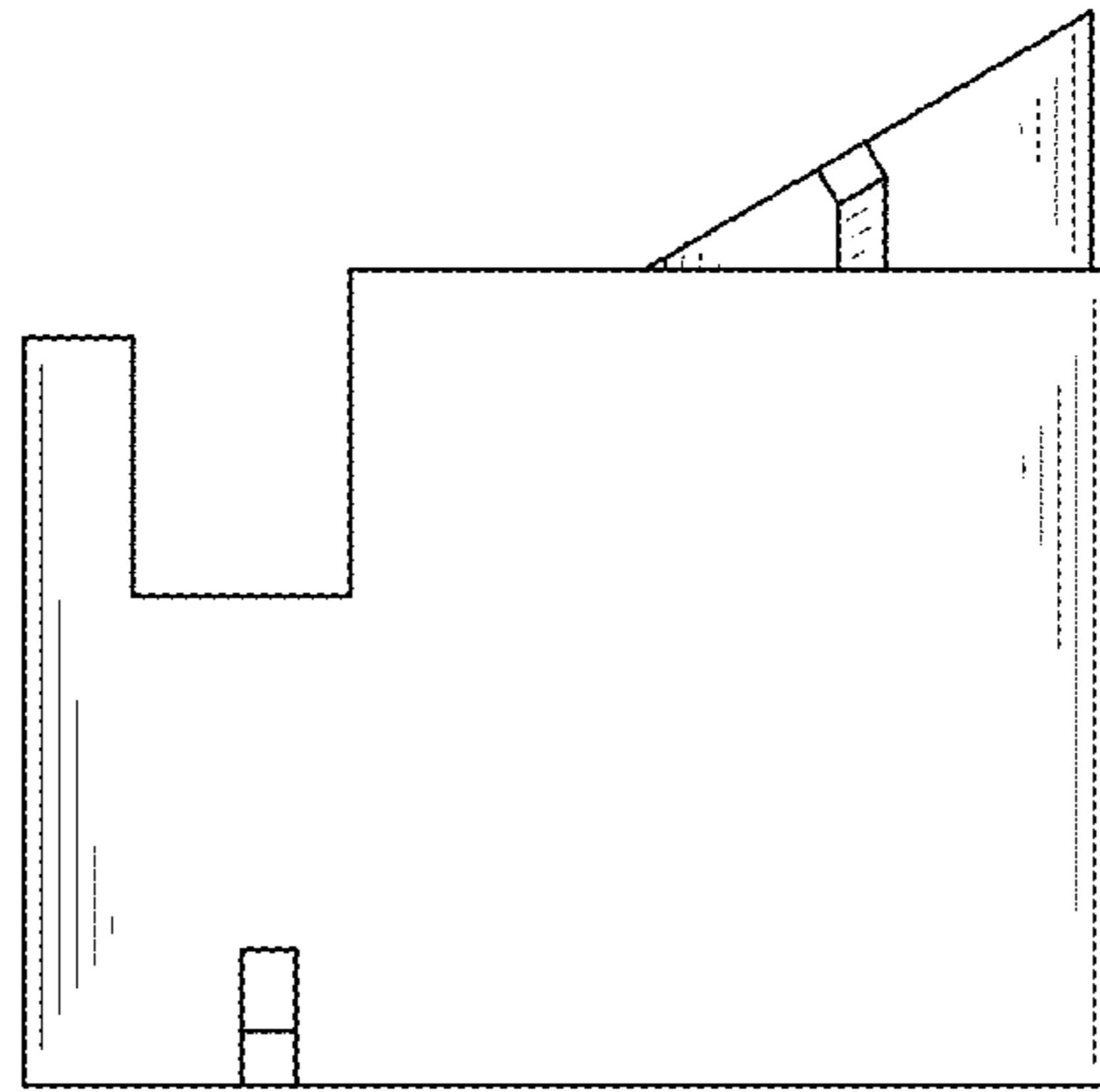


FIG. 6

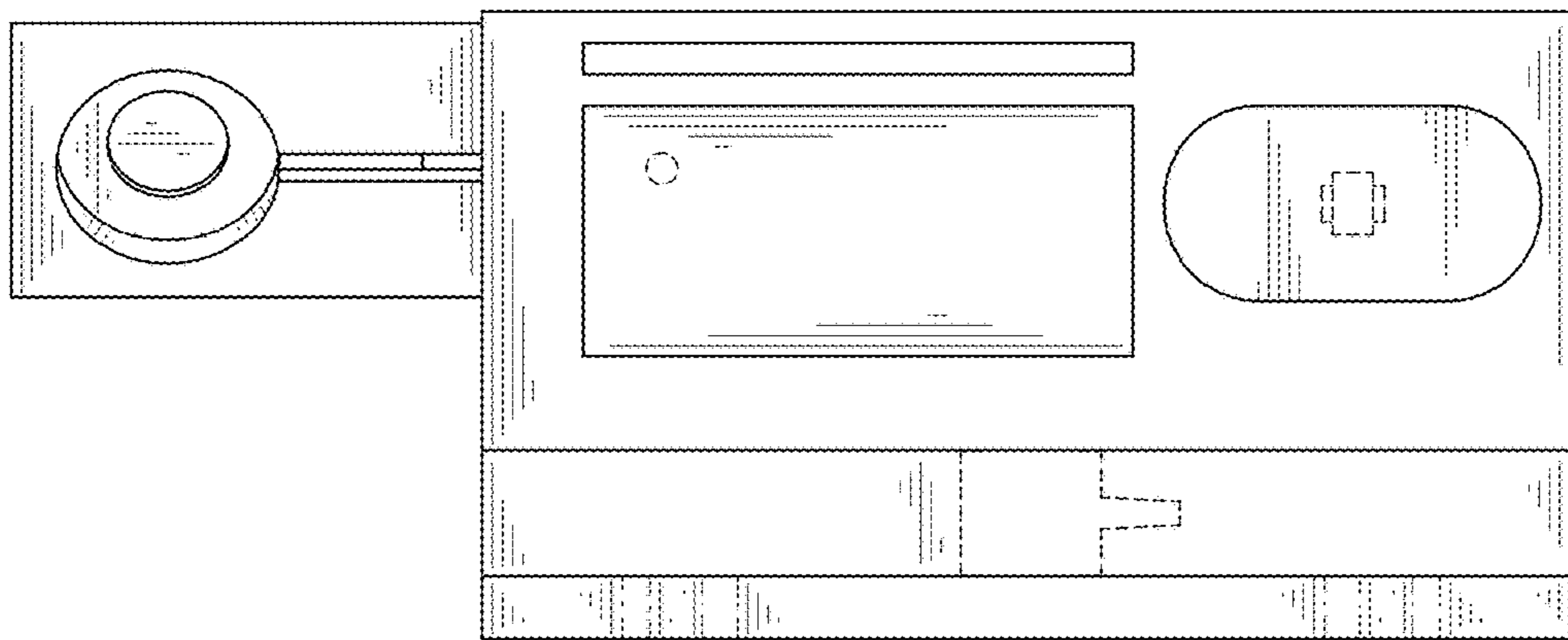


FIG. 7

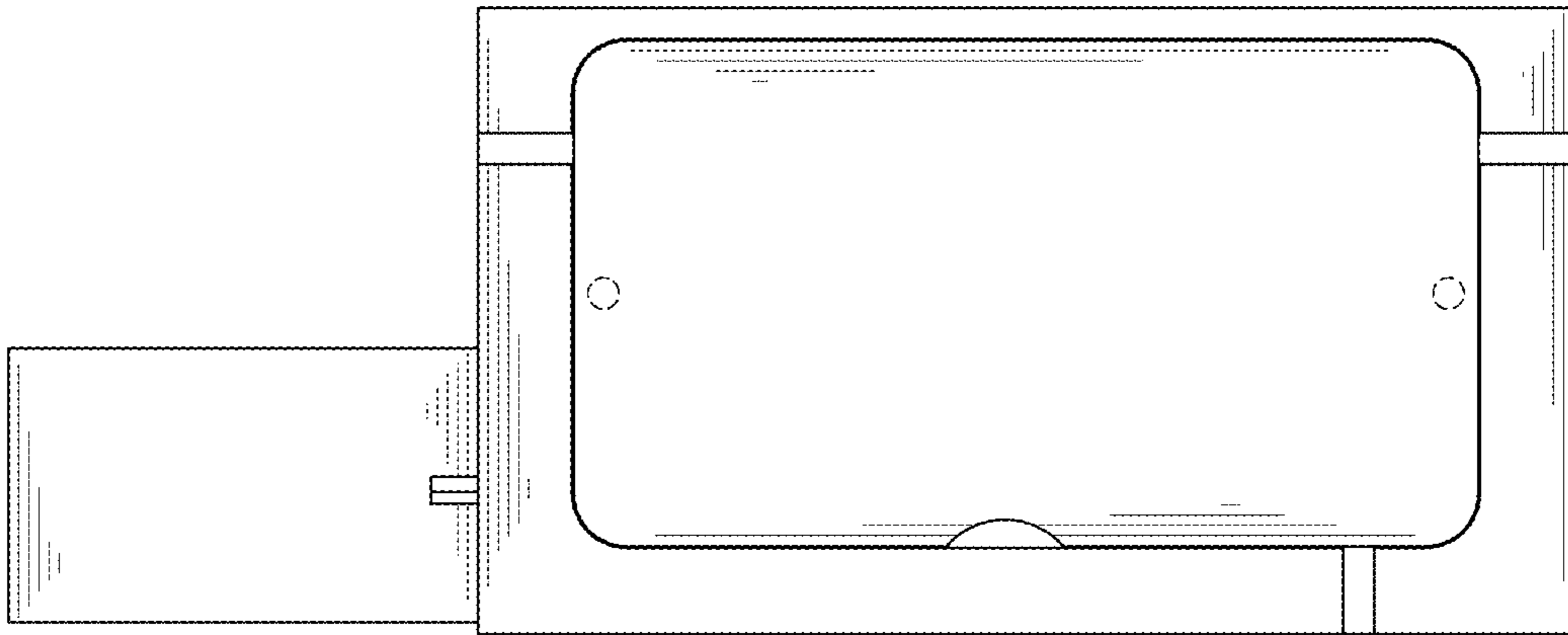


FIG. 8