



US00D850436S

(12) **United States Design Patent**  
**Vogel et al.**

(10) **Patent No.:** **US D850,436 S**  
(45) **Date of Patent:** **\*\* Jun. 4, 2019**

- (54) **MOUNT**
- (71) Applicant: **NITE IZE, INC.**, Boulder, CO (US)
- (72) Inventors: **Frank Vogel**, Boulder, CO (US);  
**Bowden Ormsbee**, Longmont, CO (US);  
**Leo Lesperance**, Erie, CO (US);  
**Rick Case**, Boulder, CO (US)
- (73) Assignee: **Nite Ize, Inc.**, Boulder, CO (US)
- (\*\*) Term: **15 Years**
- (21) Appl. No.: **29/610,756**
- (22) Filed: **Jul. 14, 2017**
- (51) **LOC (11) Cl.** ..... **14-03**
- (52) **U.S. Cl.**  
USPC ..... **D14/253**
- (58) **Field of Classification Search**  
USPC ..... D14/251–253, 447, 451, 452, 440, 434,  
D14/458, 432, 439, 457, 460, 238.1, 140,  
D14/142, 149, 217; D12/415; D3/218;  
D8/349  
CPC ..... B60R 2011/0008; B60R 11/02; B60R  
11/0241; B60R 11/0258; B60R 11/0252;  
B60R 2011/0294; F16M 11/00; F16M  
11/04; F16M 11/041; F16M 11/02; F16M  
11/06; F16M 13/00; H04M 1/02; H04M  
1/04; H04M 1/11; H04M 1/12; A47F  
7/022; B62J 11/00; H05K 7/00; G03B  
17/56  
See application file for complete search history.

(56) **References Cited**

**U.S. PATENT DOCUMENTS**

- 7,219,867 B2 \* 5/2007 Kalis ..... B60R 11/0258  
248/205.5
- D588,903 S \* 3/2009 Carnevali ..... D8/355
- D627,624 S \* 11/2010 Brassard ..... D8/363

- D654,120 S \* 2/2012 Lin ..... D14/434
- 8,602,376 B2 \* 12/2013 Vogel ..... F16M 11/14  
248/371
- D713,837 S \* 9/2014 Chul Kim ..... D14/253
- D714,772 S \* 10/2014 Rozzo ..... D13/102
- D715,790 S \* 10/2014 Conomos ..... D14/253
- D718,297 S \* 11/2014 Aspinall ..... D14/253
- D718,298 S \* 11/2014 Aspinall ..... D14/253
- D732,519 S \* 6/2015 Aspinall ..... D14/253
- D733,116 S \* 6/2015 Aspinall ..... D14/253
- D799,469 S \* 10/2017 Esses ..... D14/253
- D817,317 S \* 5/2018 Lee ..... D14/253
- D819,015 S \* 5/2018 Lee ..... D14/253
- D824,380 S \* 7/2018 Lee ..... D14/253
- D825,545 S \* 8/2018 McSweyn ..... D14/253
- D825,546 S \* 8/2018 Fan ..... D14/253
- D832,248 S \* 10/2018 Sukphist ..... D14/253
- 2008/0245935 A1 \* 10/2008 Kaneda ..... F16M 11/041  
248/206.2
- 2009/0050758 A1 \* 2/2009 Carnevali ..... F16B 47/00  
248/205.8
- 2009/0108151 A1 \* 4/2009 Carnevali ..... F16B 47/00  
248/205.3

(Continued)

*Primary Examiner* — Janice Hallmark  
(74) *Attorney, Agent, or Firm* — Haynes and Boone, LLP

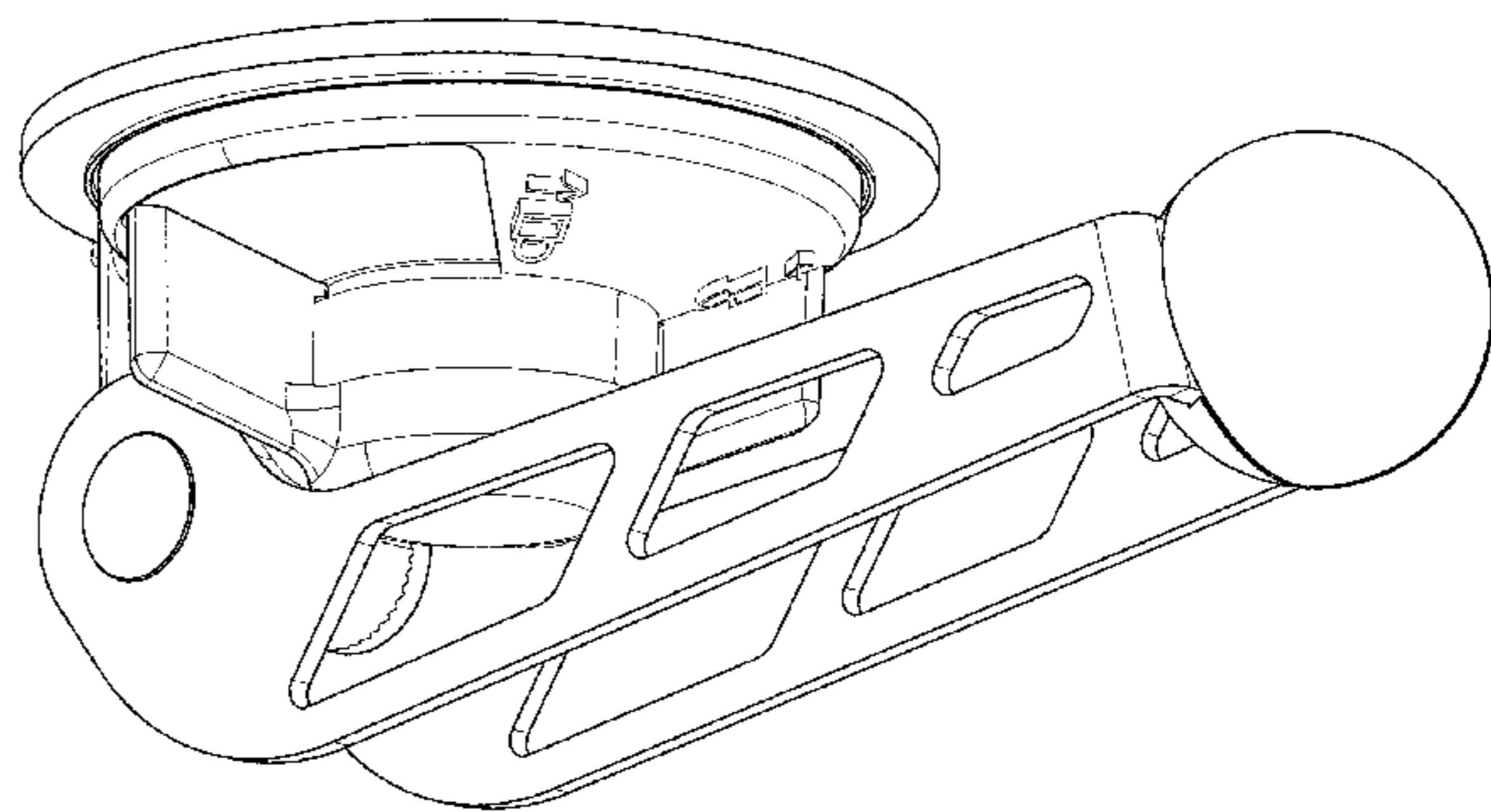
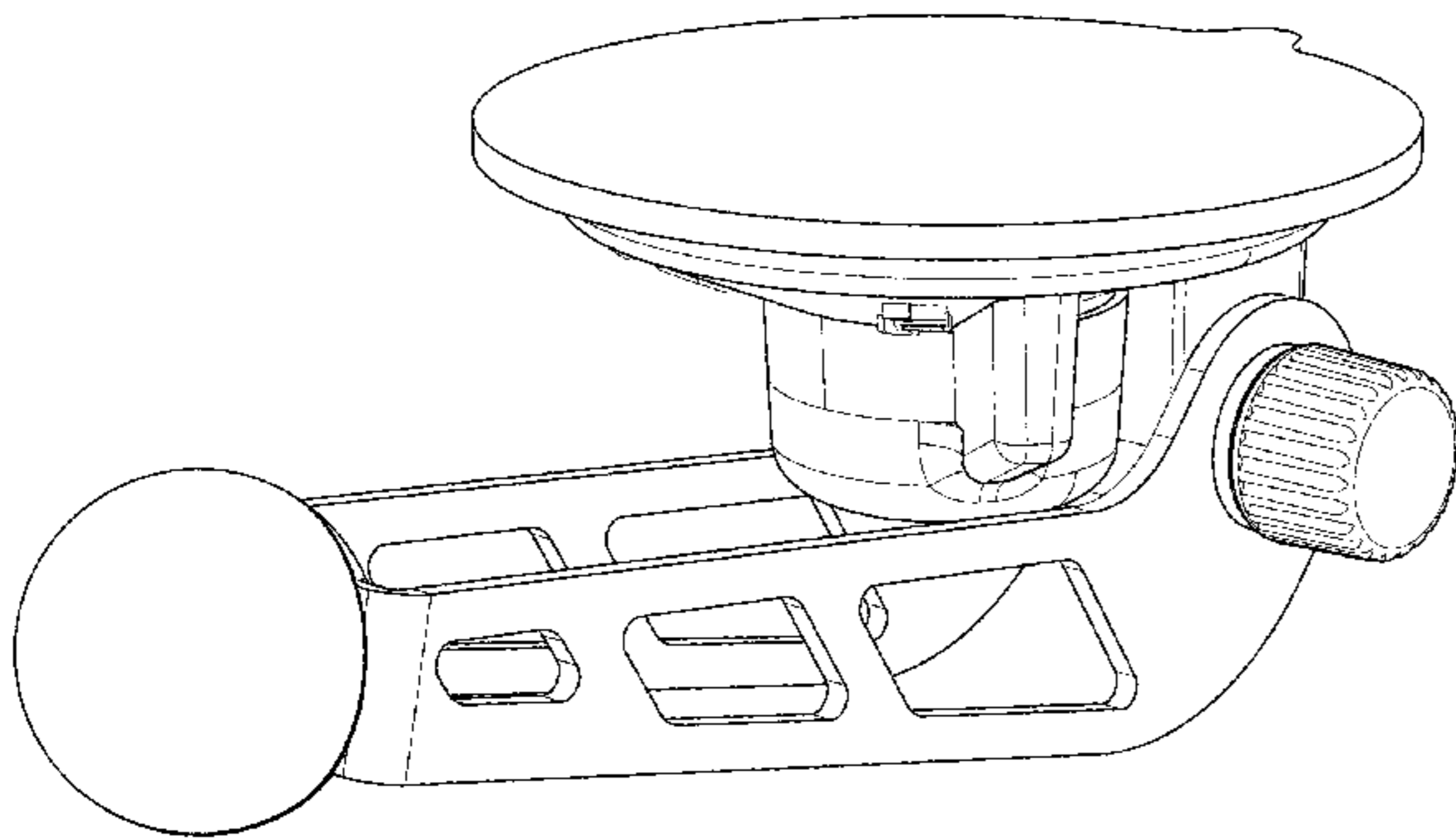
(57) **CLAIM**

The ornamental design for the mount, as shown and described.

**DESCRIPTION**

FIG. 1 shows a front perspective view of a mount;  
FIG. 2 shows a rear perspective view of the mount of FIG. 1;  
FIG. 3 shows a right side view of the mount of FIG. 1;  
FIG. 4 shows a left side view of the mount of FIG. 1;  
FIG. 5 shows a front view of the mount of FIG. 1;  
FIG. 6 shows a rear view of the mount of FIG. 1;  
FIG. 7 shows a top view of the mount of FIG. 1; and,  
FIG. 8 shows a bottom view of the mount of FIG. 1.

**1 Claim, 7 Drawing Sheets**



(56)

**References Cited**

U.S. PATENT DOCUMENTS

2010/0320341 A1\* 12/2010 Baumann ..... B60R 11/0241  
248/206.2  
2012/0267406 A1\* 10/2012 Fan ..... B60R 11/02  
224/482  
2014/0145051 A1\* 5/2014 Gwag ..... B60R 11/02  
248/298.1  
2014/0265765 A1\* 9/2014 Khodapanah ..... F16M 13/02  
312/223.1  
2014/0346295 A1\* 11/2014 Song ..... F16B 47/00  
248/205.8

\* cited by examiner

FIG. 1

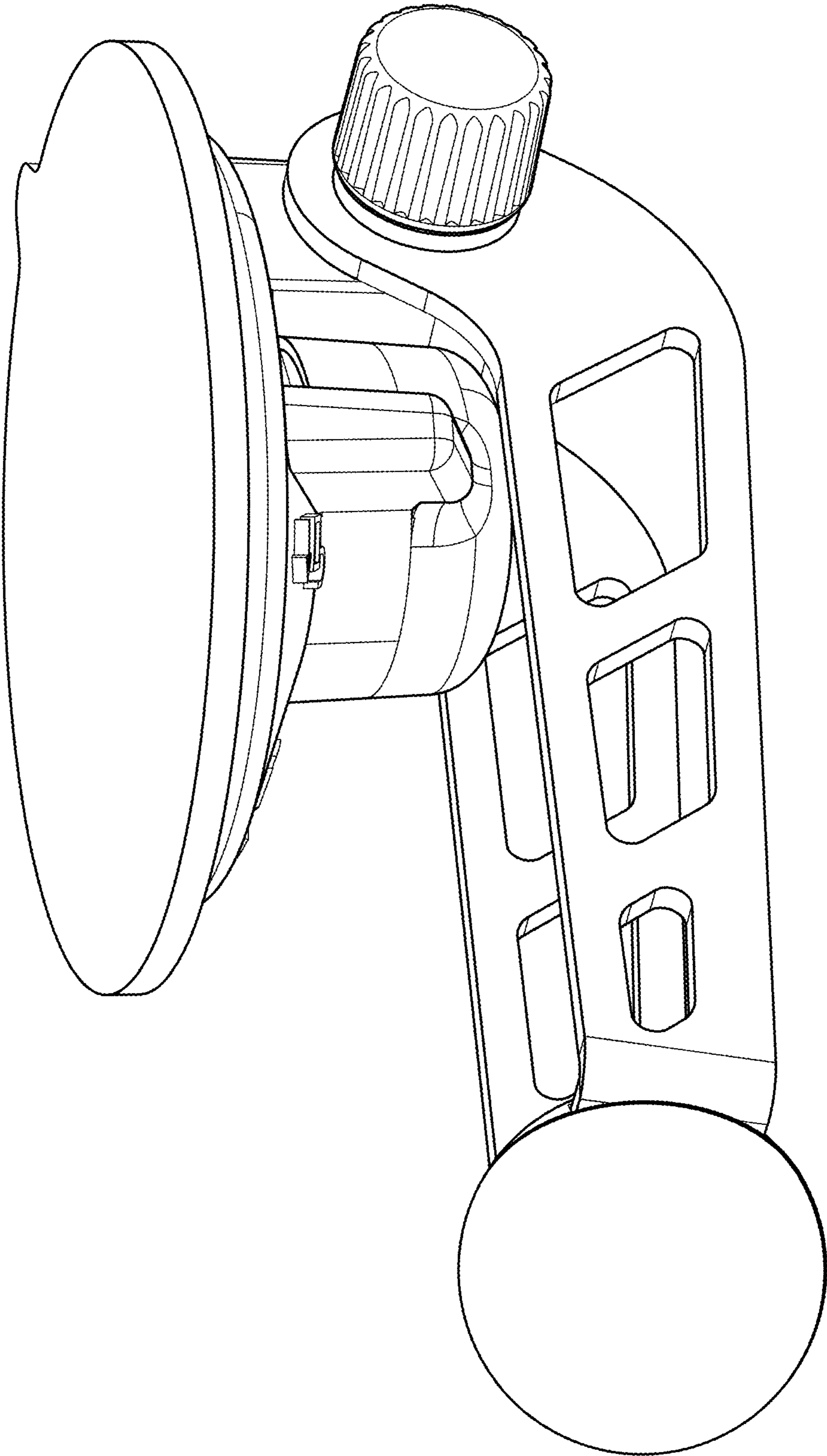


FIG. 2

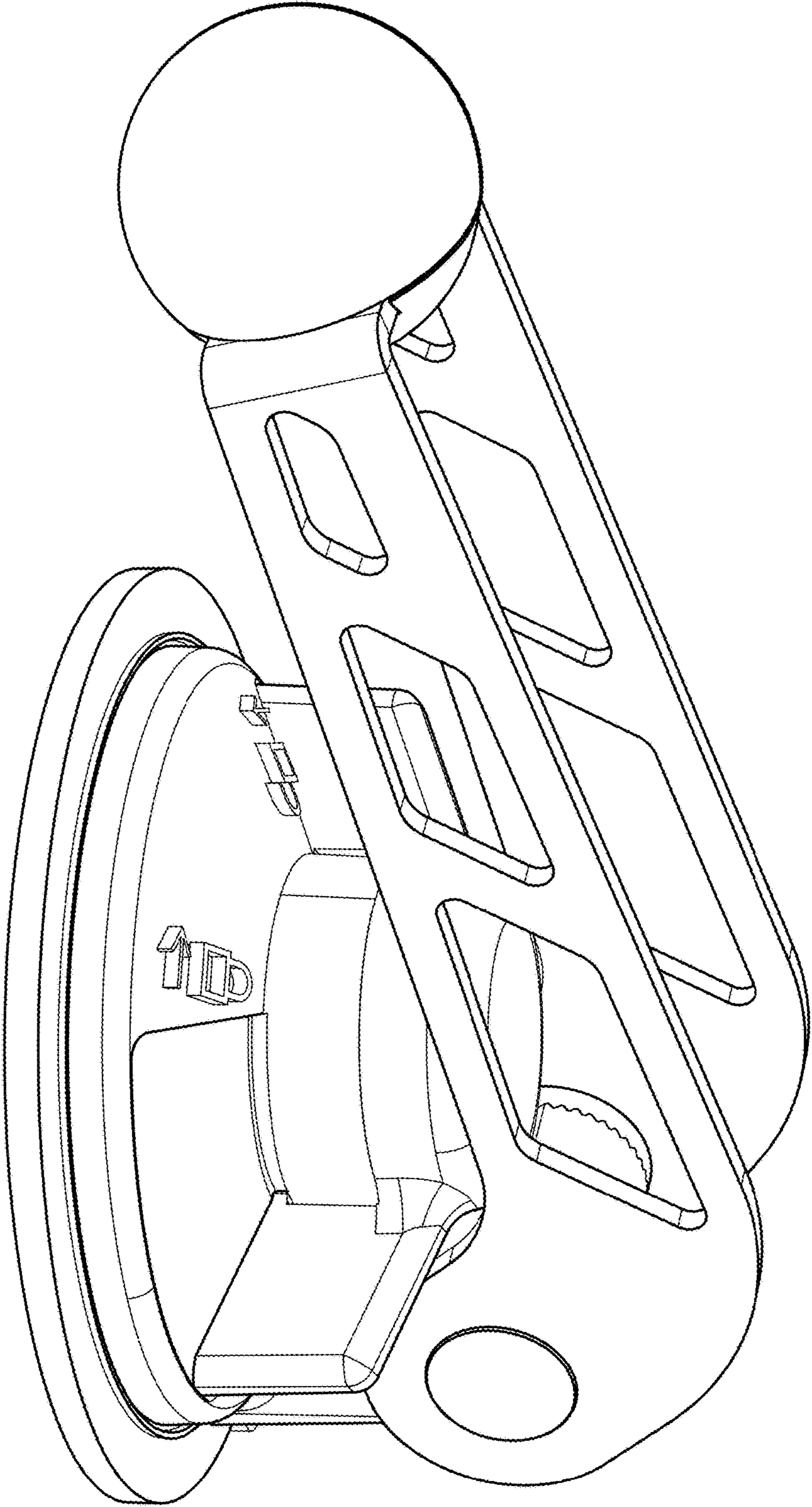


FIG. 3

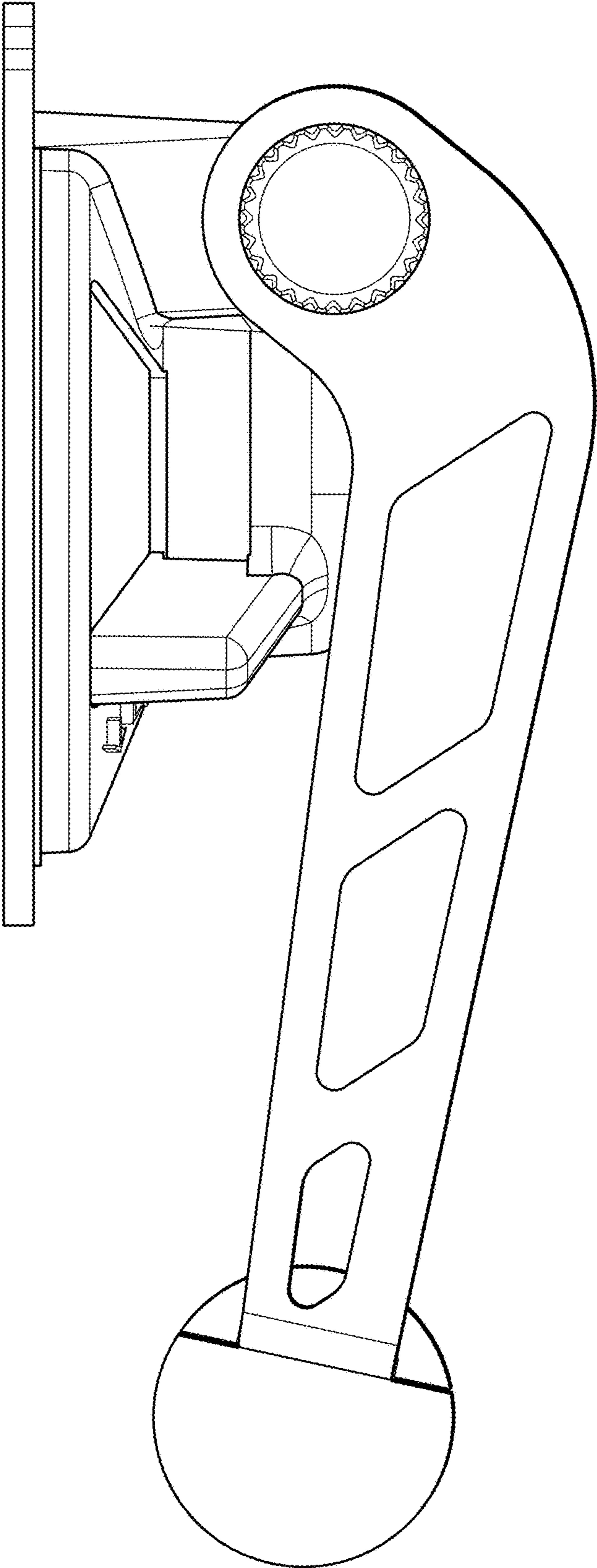
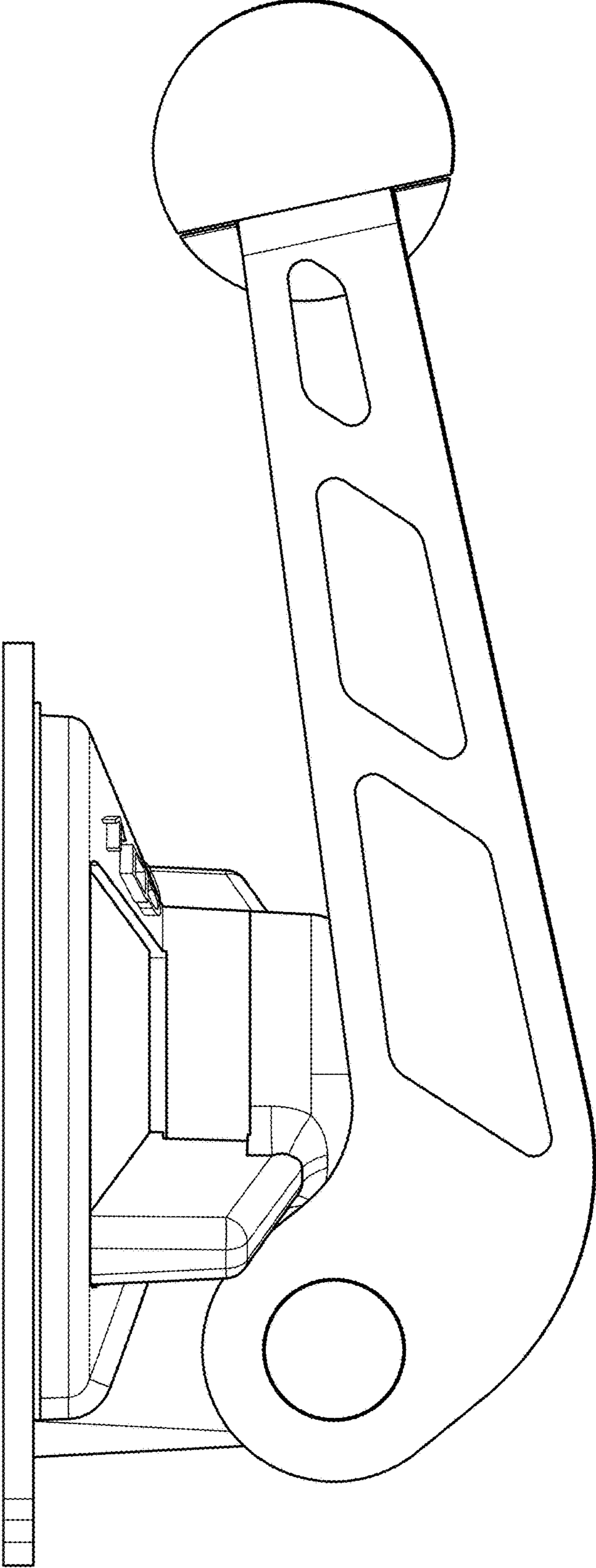
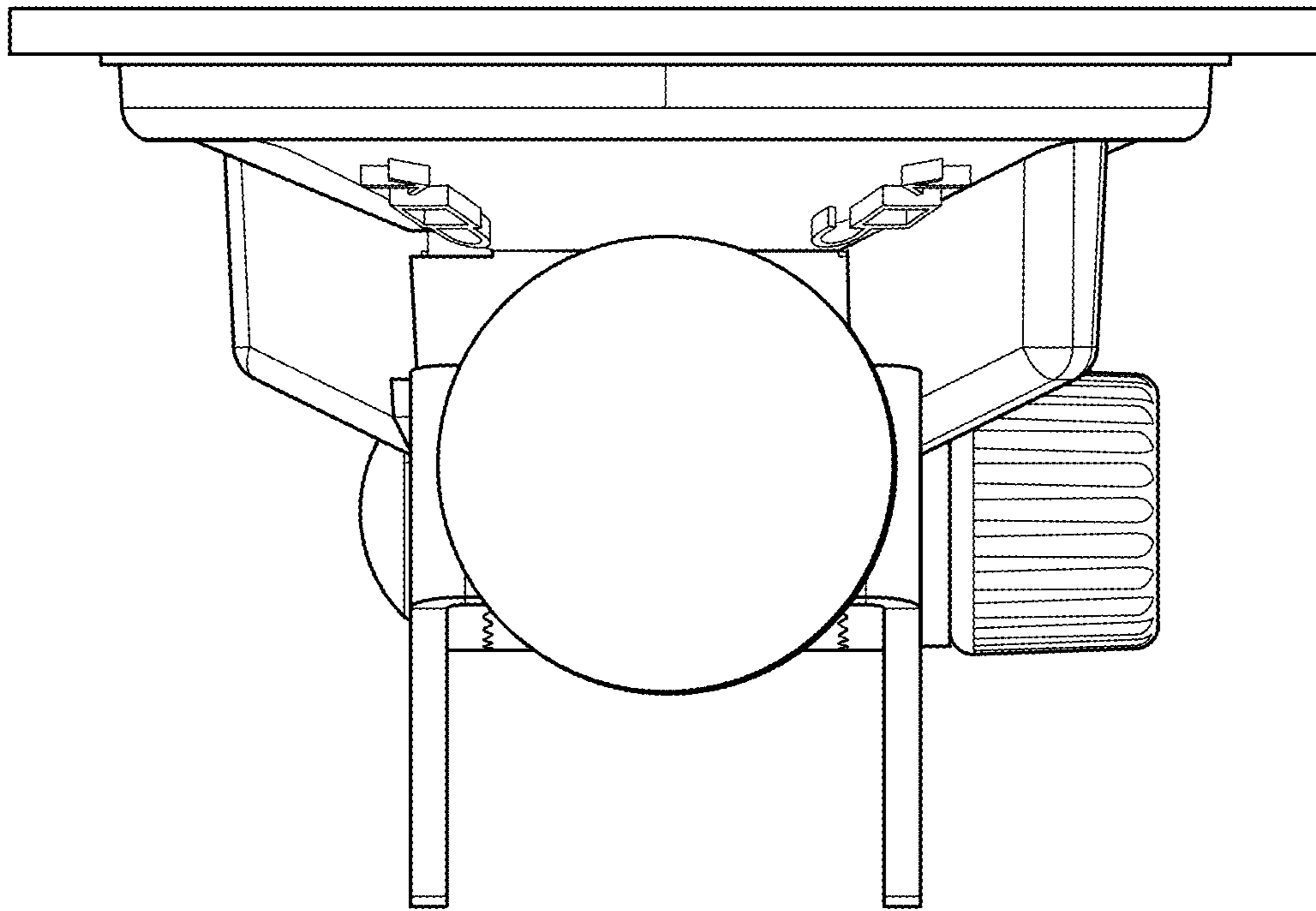


FIG. 4



**FIG. 5**



**FIG. 6**

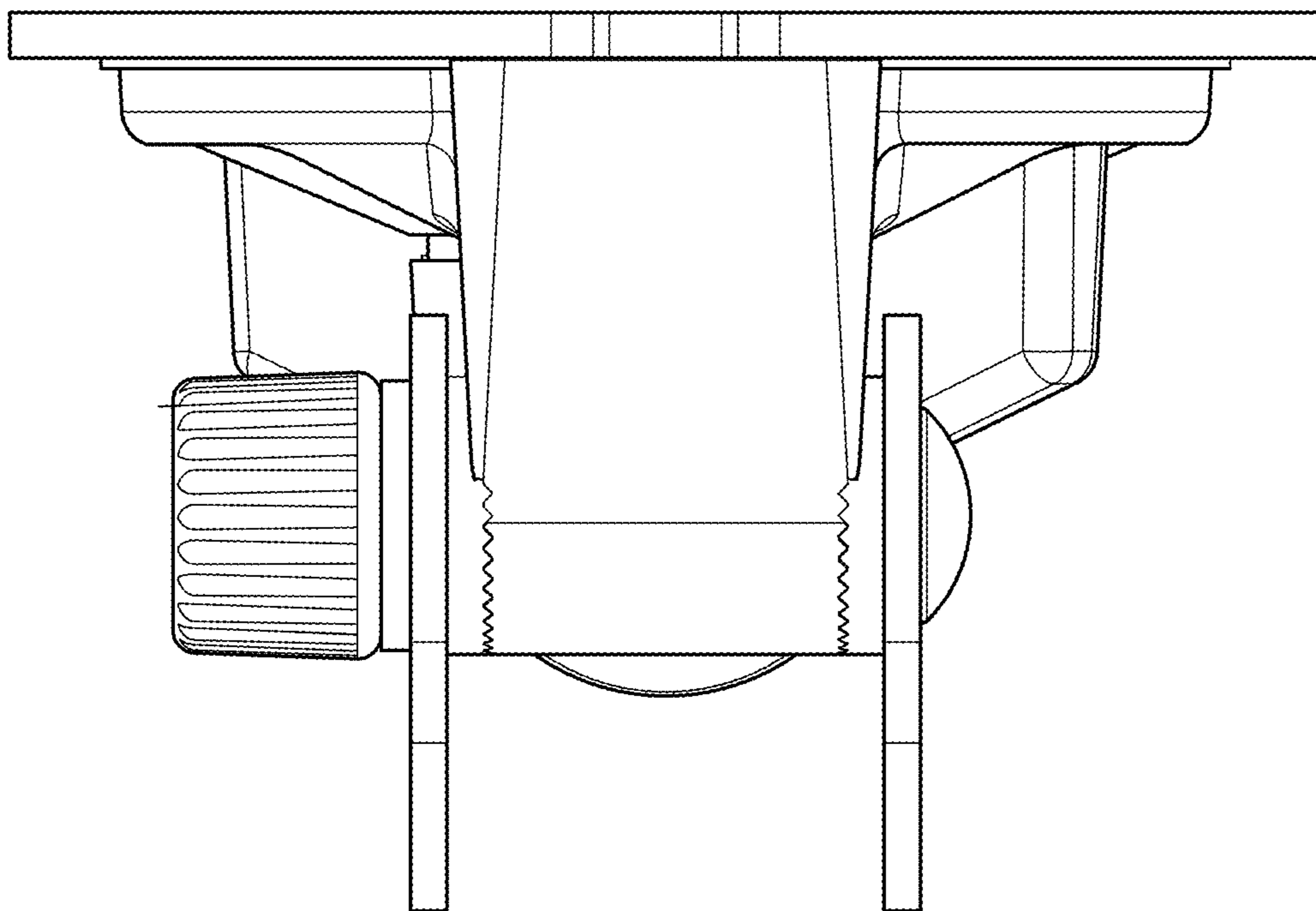


FIG. 7

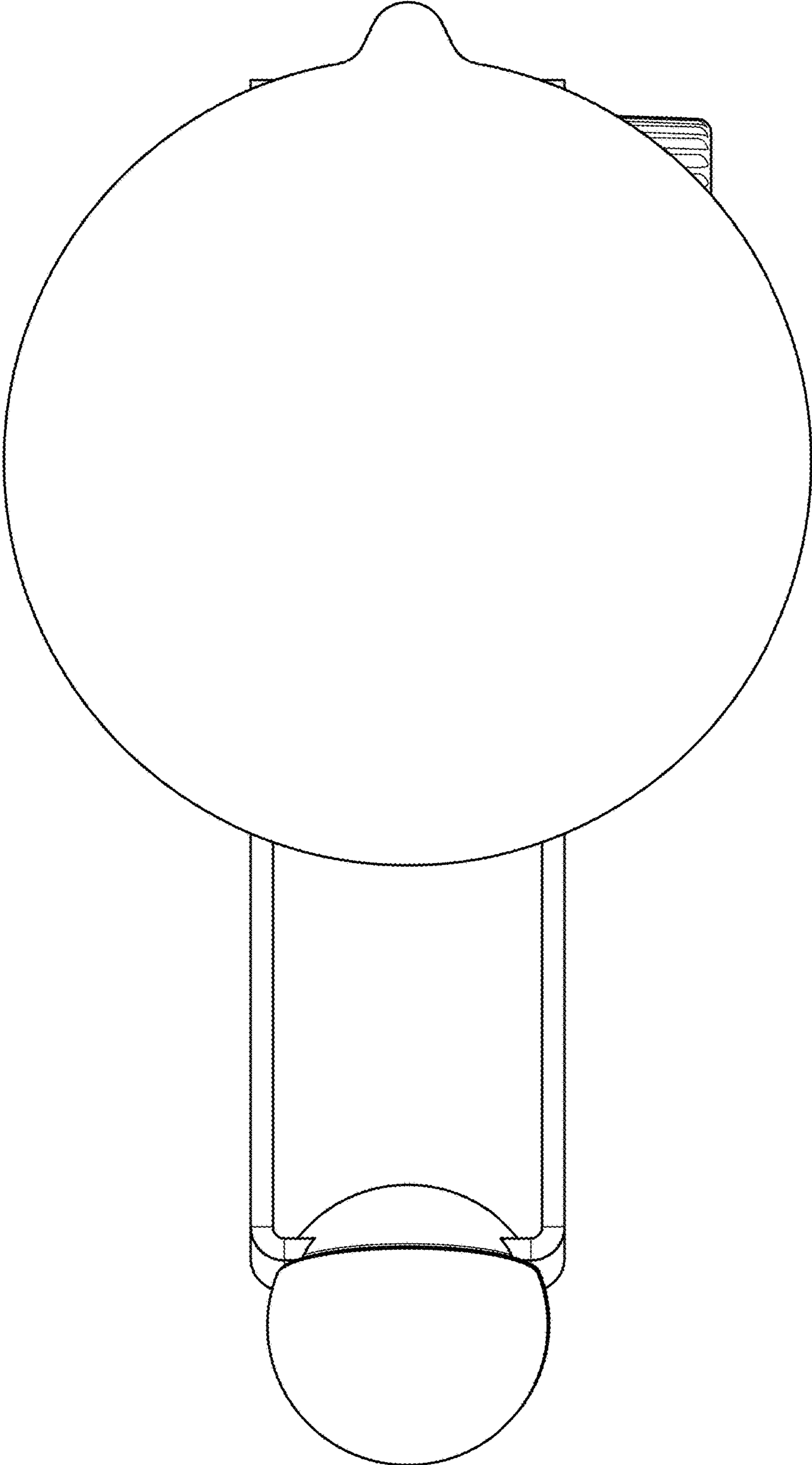




FIG. 8

