



US00D850434S

(12) **United States Design Patent** (10) **Patent No.:** **US D850,434 S**
Yun (45) **Date of Patent:** **** Jun. 4, 2019**

(54) **CASE FOR ELECTRONIC COMMUNICATIONS DEVICE**

(71) Applicant: **SPIGEN KOREA CO., LTD.**, Seoul (KR)

(72) Inventor: **Sun Woo Yun**, Seoul (KR)

(73) Assignee: **SPIGEN KOREA CO., LTD.**, Seoul (KR)

(**) Term: **15 Years**

(21) Appl. No.: **29/615,471**

(22) Filed: **Aug. 29, 2017**

(51) **LOC (11) Cl.** **14-03**

(52) **U.S. Cl.**
USPC **D14/250**

(58) **Field of Classification Search**
USPC D14/248, 439, 203.3-203.7, 447, 238.1, D14/440, 251-253, 217, 240, 250; D3/201, 218, 247, 269, 273, 301, 303; D13/103, 107-108, 119
CPC H04B 1/3888; H04M 1/0283; H04M 1/0202; A45C 1/06; A45C 2011/002; A45C 11/00; A45C 13/02; A45F 2005/026; A45F 2200/0525; A45F 2200/0516

See application file for complete search history.

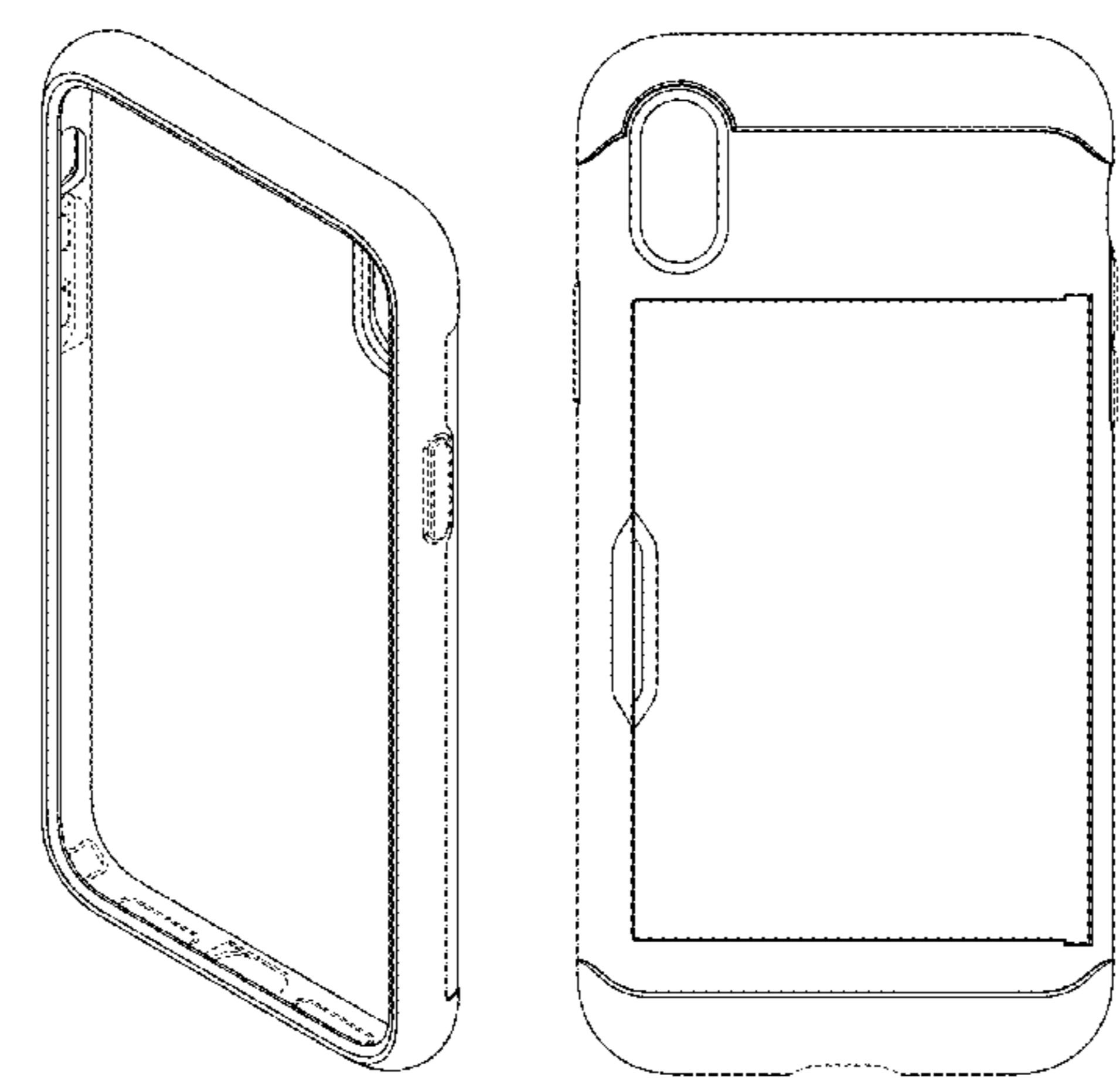
8,517,172 B1 8/2013 Chang
D703,650 S 4/2014 Ehrlich
D703,651 S 4/2014 Ehrlich
D705,764 S * 5/2014 Thoni D14/250
8,718,731 B1 * 5/2014 Tang H04M 1/185
206/305

8,726,952 B2 5/2014 Jambunathan et al.
D707,965 S 7/2014 Requa
D712,891 S * 9/2014 Fathollahi D14/250
D716,045 S 10/2014 Requa
D723,532 S 3/2015 Stevinson
8,971,975 B2 3/2015 Ramies et al.
D726,701 S * 4/2015 Stevinson D14/250
9,049,283 B1 6/2015 Kim
D741,845 S 10/2015 Kim
D743,931 S 11/2015 Hubbard et al.
D746,275 S 12/2015 Mohammad
9,241,551 B2 1/2016 Lawson et al.
D749,068 S 2/2016 Zaborski et al.
D749,557 S 2/2016 Feng
D753,099 S 4/2016 Kim
D756,911 S 5/2016 Gupta et al.
D759,966 S 6/2016 Pignotti
9,374,120 B1 * 6/2016 Halloran A61F 17/00
D763,841 S 8/2016 Kim
D765,069 S * 8/2016 Jeffrey D14/250
D772,209 S 11/2016 Kim et al.
D776,101 S * 1/2017 Poon D14/250
D776,646 S * 1/2017 Deng D14/250
D776,649 S 1/2017 Kim
9,661,116 B1 * 5/2017 Chung A45C 11/00
9,675,150 B2 * 6/2017 Kim A45C 11/182
D793,380 S 8/2017 Ballou et al.
D796,498 S 9/2017 Babichenko
D798,854 S 10/2017 Babichenko
D802,575 S 11/2017 Castro
2012/0067751 A1 * 3/2012 Mongan A45C 11/00
206/216
2014/0051488 A1 * 2/2014 Chung H04M 1/0279
455/575.8
2014/0083876 A1 * 3/2014 Lin A45C 11/00
206/37
2014/0370946 A1 * 12/2014 Daniell H04M 1/0283
455/575.8
2015/0141082 A1 * 5/2015 Ehrlich H04B 1/3888
455/575.1
2015/0244407 A1 * 8/2015 Peral H04B 1/3888
455/575.8
2015/0365122 A1 * 12/2015 Kim H04M 1/21
455/575.8
2016/0113368 A1 * 4/2016 Tu H04B 1/3888
206/45.23

(56) **References Cited**

U.S. PATENT DOCUMENTS

D615,078 S * 5/2010 Bradley D14/250
D619,361 S 7/2010 Andre et al.
D624,064 S * 9/2010 Esposito D14/250
D631,246 S * 1/2011 Boettner D3/203.2
D646,265 S 10/2011 Fathollahi
D650,371 S 12/2011 Wibby et al.
D655,281 S 3/2012 Turocy
D656,495 S 3/2012 Andre et al.
D663,263 S 7/2012 Gupta et al.
D681,615 S 5/2013 Fathollahi
D682,196 S 5/2013 Leung
D688,655 S 8/2013 Rey-Hipolito et al.
8,504,127 B2 8/2013 Altschul et al.



2016/0173160 A1* 6/2016 Gronewoller H04B 1/3888
455/575.8
2016/0269516 A1* 9/2016 Kim H04M 1/04
2016/0324285 A1* 11/2016 Zavala A45C 11/321
2017/0086557 A1* 3/2017 Choi A45C 15/00
2018/0006676 A1* 1/2018 Zavala H04B 1/3888

OTHER PUBLICATIONS

iPhone 7 Plus Spigen Slim Armor CS Case Review!, published on Mar. 19, 2017, URL:<https://www.youtube.com/watch?v=D_VBwDjc4_Q>, retrieved from internet on Sep. 30, 2018.*

“iPhone 6 Case, Verus [Damda Slide][Dark Silver]-[Wallet Card Slot][Heavy Duty Protection] for Apple iPhone 6 4.7”, <https://www.amazon.com/dp/B01EO2PE1O>, Earliest review date of May 24, 2016.

“Galaxy Note 4 Case, Verus [Damda Slide][Dark Silver]-[Wallet Card Slot][Heavy Duty Protection] for Samsung Note 4”, <https://www.amazon.com/dp/B00MJE6I0G>, Earliest review date of Oct. 18, 2014.

“Galaxy Note 5 Case, Verus [Damda Slide][Dark Silver]-[Wallet Card Slot][Heavy Duty Protection] for Samsung Note 5”, <https://www.amazon.com/dp/B00VN6E8KS>, Earliest review date of Aug. 24, 2015.

“Galaxy S6 Edge Case, Verus [Damda Slide][Dark Silver]-[Wallet Card Slot][Heavy Duty Protection] for Samsung galaxy s6 edge”, <https://www.amazon.com/dp/B00U0MDTEM>, Earliest review date of Apr. 2, 2015.

“Galaxy S6 Edge Plus Case, Verus [Damda Slide][Dark Silver]-[Wallet Card Slot][Heavy Duty Protection] for Samsung galaxy s6 plus”, <https://www.amazon.com/dp/B013F8CLK0>, Earliest review date of Aug. 29, 2015.

“iPhone 6 Plus Case, Verus [Damda Slide][Dark Silver]-[Wallet Card Slot][Heavy Duty] for Apple iPhone 6 Plus 5.5”, <https://www.amazon.com/dp/B01EO2P5H2>, Earliest review date of May 26, 2016.

“iPhone 6S Case, Verus [Damda Slide][Dark Silver]-[Wallet Card Slot][Heavy Duty Protection] for Apple iPhone 6 6s 4.7”, <https://www.amazon.com/dp/B00M9UBQ2A>, Earliest review date of Sep. 16, 2014.

“iPhone 6S Plus Case, Verus [Damda Slide][Dark Silver]-[Wallet Card Slot][Heavy Duty] for Apple iPhone 6 6s Plus 5.5”, <https://www.amazon.com/dp/B00NHZZ1ZY>, Earliest review date of Oct. 5, 2014.

“Spigen Slim Armor CS Galaxy S7 Case with Slim Dual Layer Wallet Design and Card Slot Holder for Samsung Galaxy S7 2016—Gunmetal”, <https://www.amazon.com/dp/B01AUR1HF4>, Earliest review date of Mar. 11, 2016.

“Spigen Slim Armor CS Galaxy S7 Edge Case with Slim Dual Layer Wallet Design and Card Slot Holder for Galaxy S7 Edge 2016—Gunmetal”, <https://www.amazon.com/dp/B01CTRI5VM>, Earliest review date of Apr. 22, 2016.

“VRS Design Damda Glide Samsung Galaxy Note 7 Case—Blue Coral”, <https://www.mobilefun.com/vrs-design-lamda-glide-samsung-galaxy-note-7-case-blue-coral-60422>, Earliest review date of Sep. 9, 2016.

“Galaxy S7 Edge Case Damda Glide Series”, <https://vrsdesign.com/products/damda-glide-series-galaxy-s7-edge-case>, Earliest review posted on 2016, Downloaded on Dec. 17, 2018.

“Galaxy S7 Case, VRS Design [Damda Glide Series] Semi Automatic Card Slot with Military Grade Protection (Satin Silver)”, <https://www.amazon.com/dp/B01LWRTPWR>, Earliest review date of Nov. 8, 2016.

“iPhone 6 Plus/6s Plus Case Damda Glide Series”, <https://vrsdesign.com/products/iphone-6-plus-6s-plus-damda-glide-series>, Earliest review posted on 2016, Downloaded on Dec. 18, 2018.

“iPhone 7 Plus / 8 Plus Case, VRS Design [Damda Glide Series] Semi Automatic Card Slot with Military Grade Protection (Steel Silver)”, <https://www.amazon.com/DP/B01LY0IWRH>, Earliest review date of Oct. 18, 2016.

“VRS Design [Damda Glide Series] Semi Automatic Card Slot Shockproof Case Compatible with Apple iPhone 7 / 8 (Steel Silver)”, <https://www.amazon.com/dp/B01LXD3F6L>, Earliest review date of Oct. 11, 2016.

“iPhone 6/6s Case Damda Glide Series”, <https://vrsdesign.com/products/damda-glide-series-2>, Earliest review posted on 2016, Downloaded on Dec. 17, 2018.

“VRS Design unveils semi-automatic Damda Glide cases for the Samsung Galaxy Note 7”, <https://www.prnewswire.com/news-releases/vrs-design-unveils-semi-automatic-damda-glide-cases-for-the-samsung-galaxy-note-7-300299529.html>, Published on Jul. 18, 2016.

“Galaxy Note 7 Case Preview from VRS Design: Damda Glide Case?”, <https://www.youtube.com/watch?v=3aoPDXLbrRk>, Published on Aug. 1, 2016.

* cited by examiner

Primary Examiner — Carla J Wright

(74) Attorney, Agent, or Firm — Heedong Chae; Lucem, PC

(57) CLAIM

The ornamental design for a case for electronic communications device, as shown and described.

DESCRIPTION

FIG. 1 is a front perspective view of a case for electronic communications device showing my new design;

FIG. 2 is a rear perspective view thereof;

FIG. 3 is a front elevational view thereof;

FIG. 4 is a rear elevational view thereof;

FIG. 5 is a left side elevational view thereof;

FIG. 6 is a right side elevational view thereof;

FIG. 7 is a top plan view thereof;

FIG. 8 is a bottom plan view thereof;

FIG. 9 is a front perspective view of the inner component of the case for electronic communications device shown separately for clarity of disclosure;

FIG. 10 is a rear perspective view thereof shown separately for clarity of disclosure;

FIG. 11 is a front perspective view of the outer frame component of the case for electronic communications device shown separately for clarity of disclosure;

FIG. 12 is a rear perspective view thereof shown separately for clarity of disclosure;

FIG. 13 is a front perspective view of the storage compartment cover component of the case for electronic communications device shown separately for clarity of disclosure;

FIG. 14 is a rear perspective view thereof shown separately for clarity of disclosure;

FIG. 15 is an exploded front perspective view showing the components of the case for electronic communications device separated for clarity of disclosure; and,

FIG. 16 is an exploded rear perspective view showing the components of the case for electronic communications device separated for clarity of disclosure.

Although the case for electronic communications device, in which the claimed design is embodied, consists of an inner component, an outer frame component, and a storage compartment cover component, the claim is directed to the ornamental appearance of the case for electronic communications device in its entirety and does not extend to the ornamental appearance of each of the individual components of the case for electronic communications device.

The broken lines throughout the drawing figures depict portions of the case for electronic communications device that form no part of the claimed design. The broken lines and regions bounded by broken lines form no part of the claimed design.

1 Claim, 16 Drawing Sheets

FIG. 1

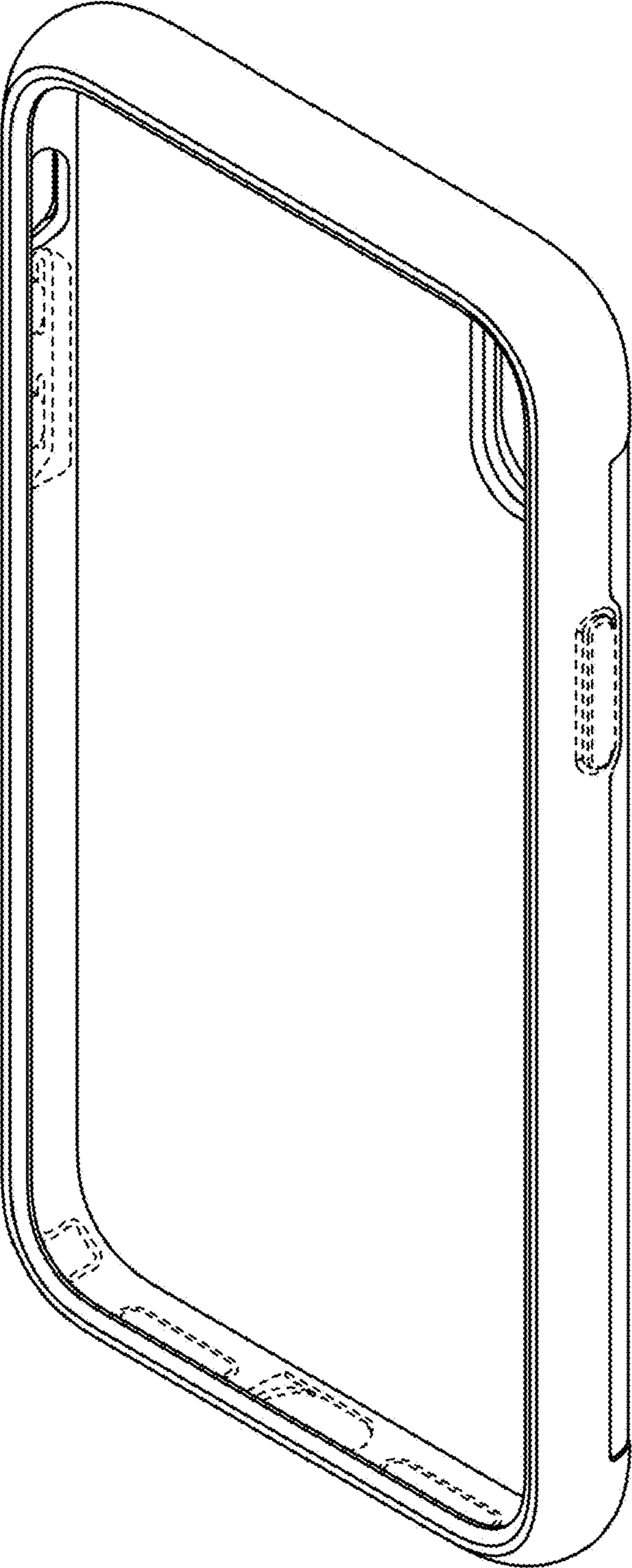


FIG. 2

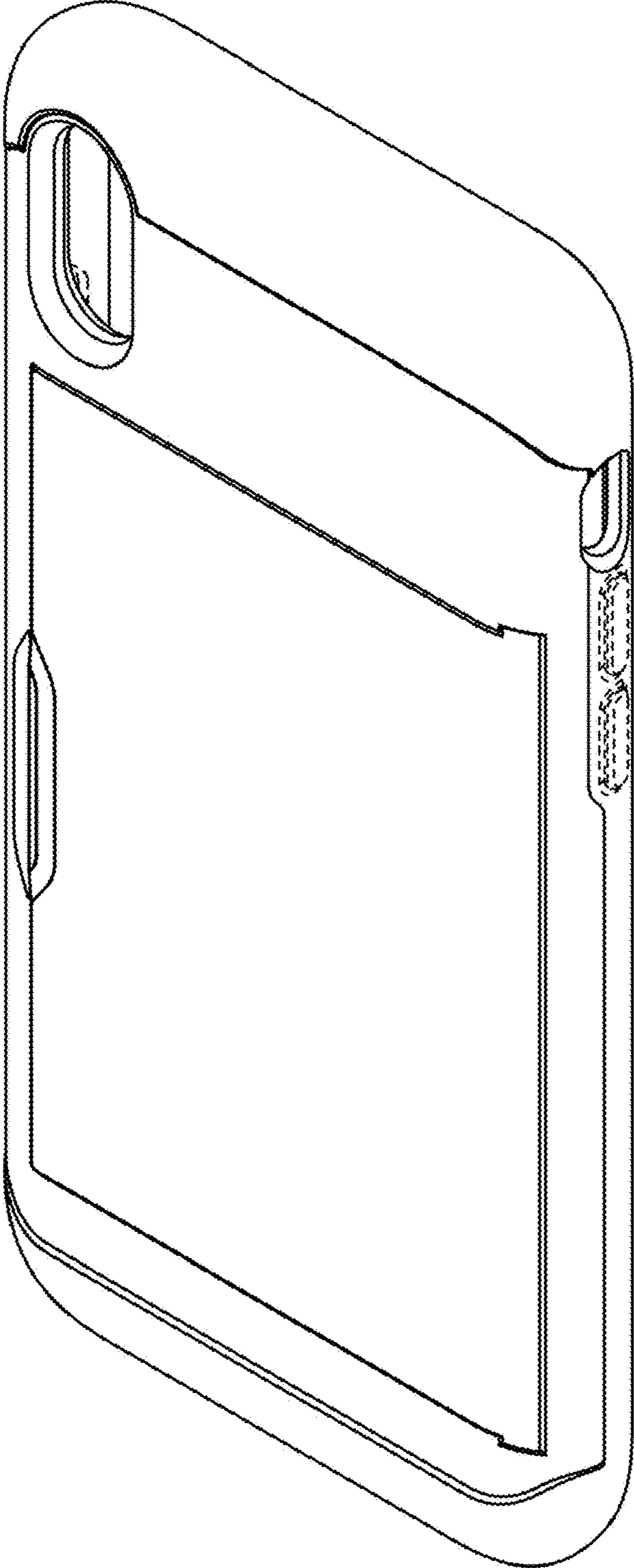


FIG. 3

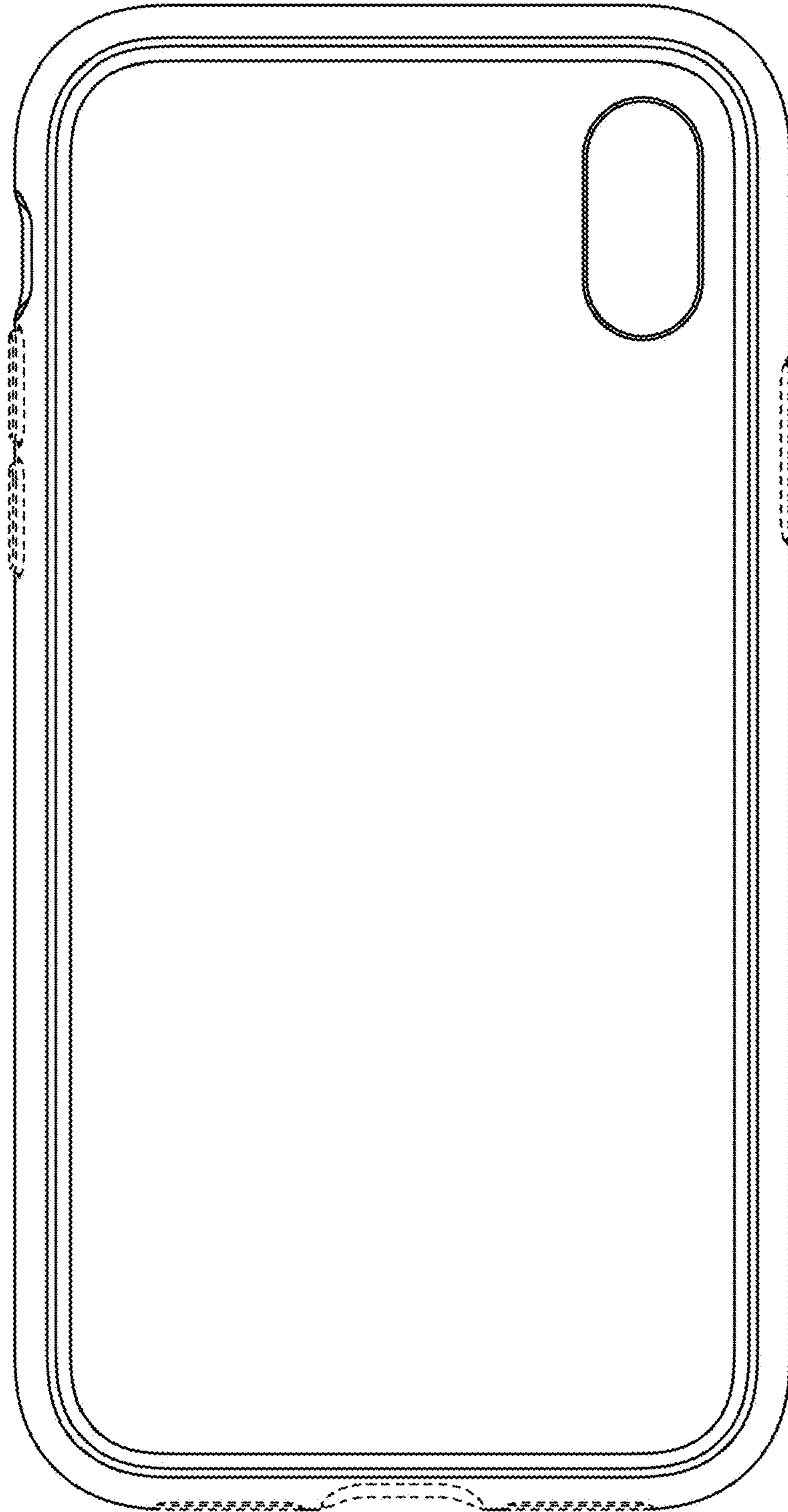


FIG. 4

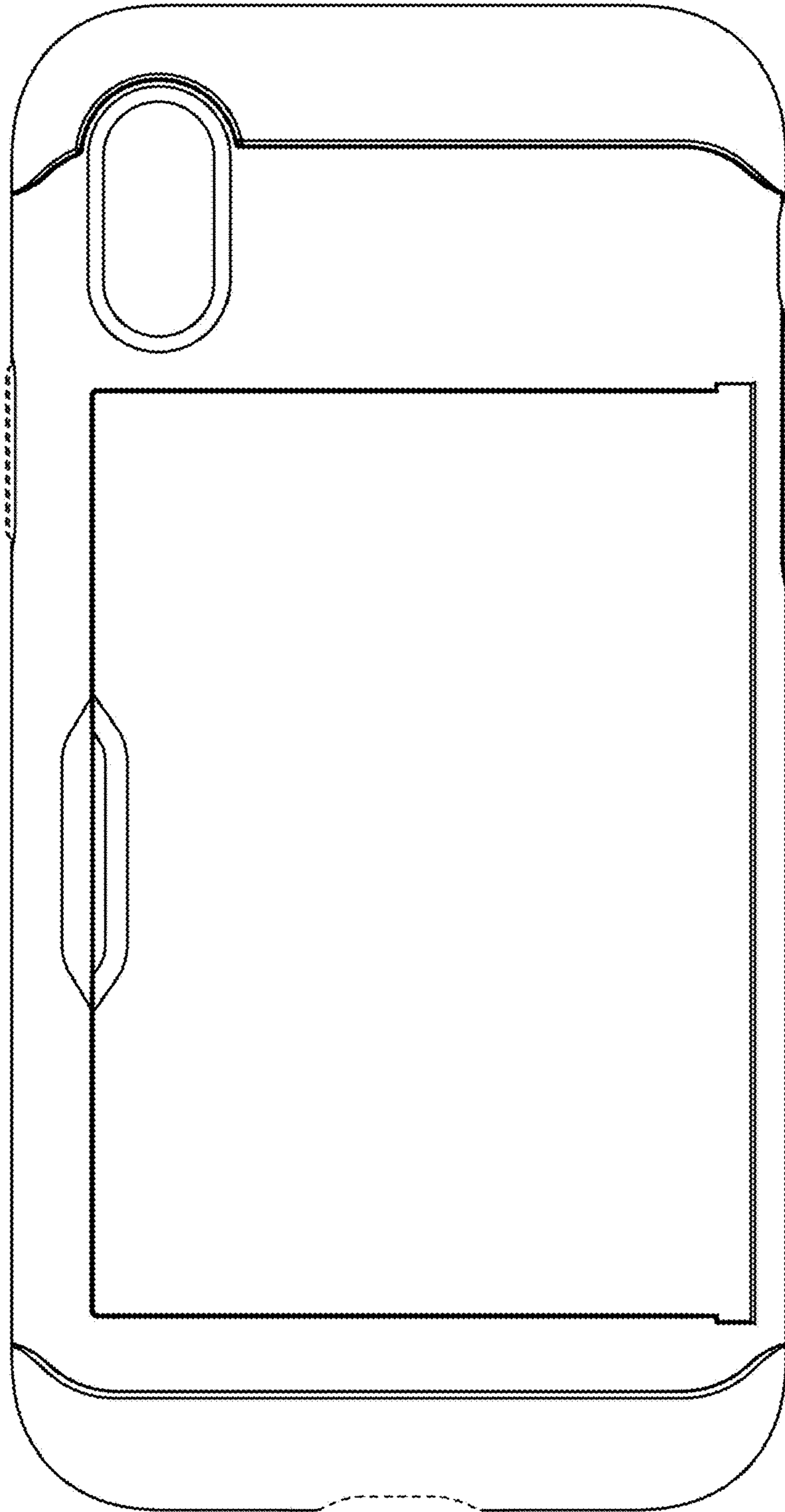


FIG. 5

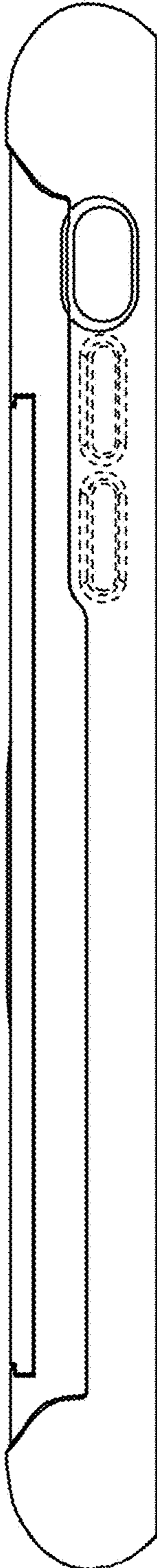


FIG. 6

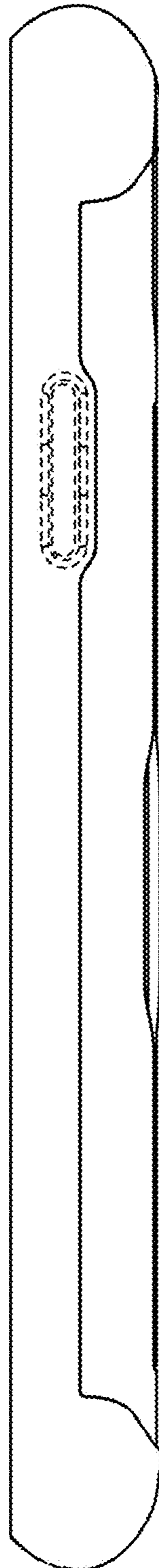


FIG. 7



FIG. 8

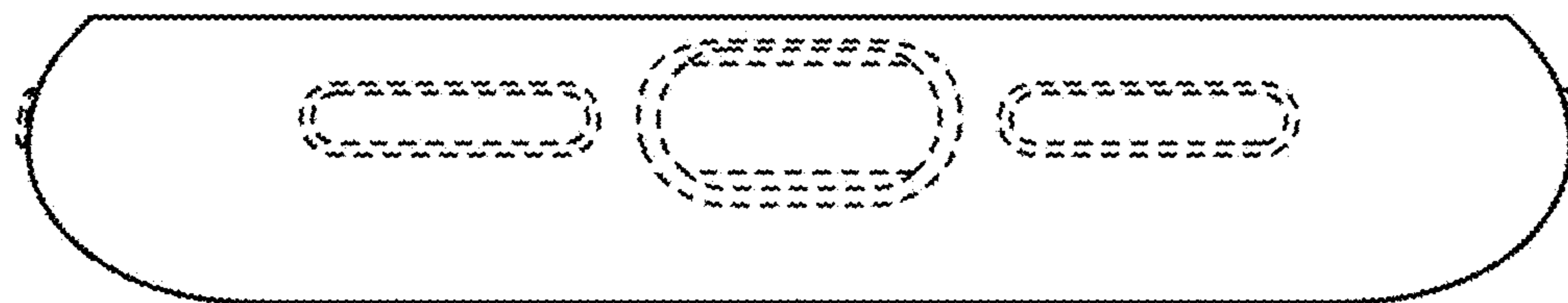


FIG. 9

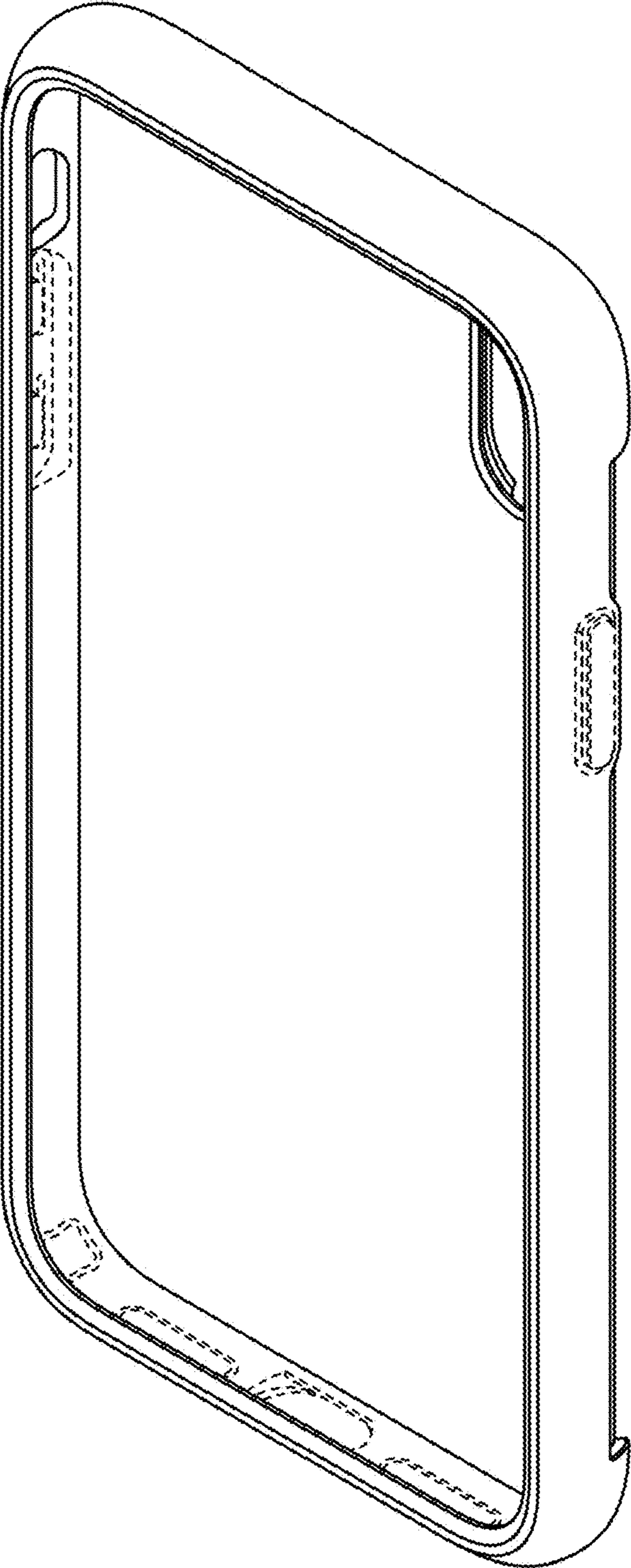


FIG. 10

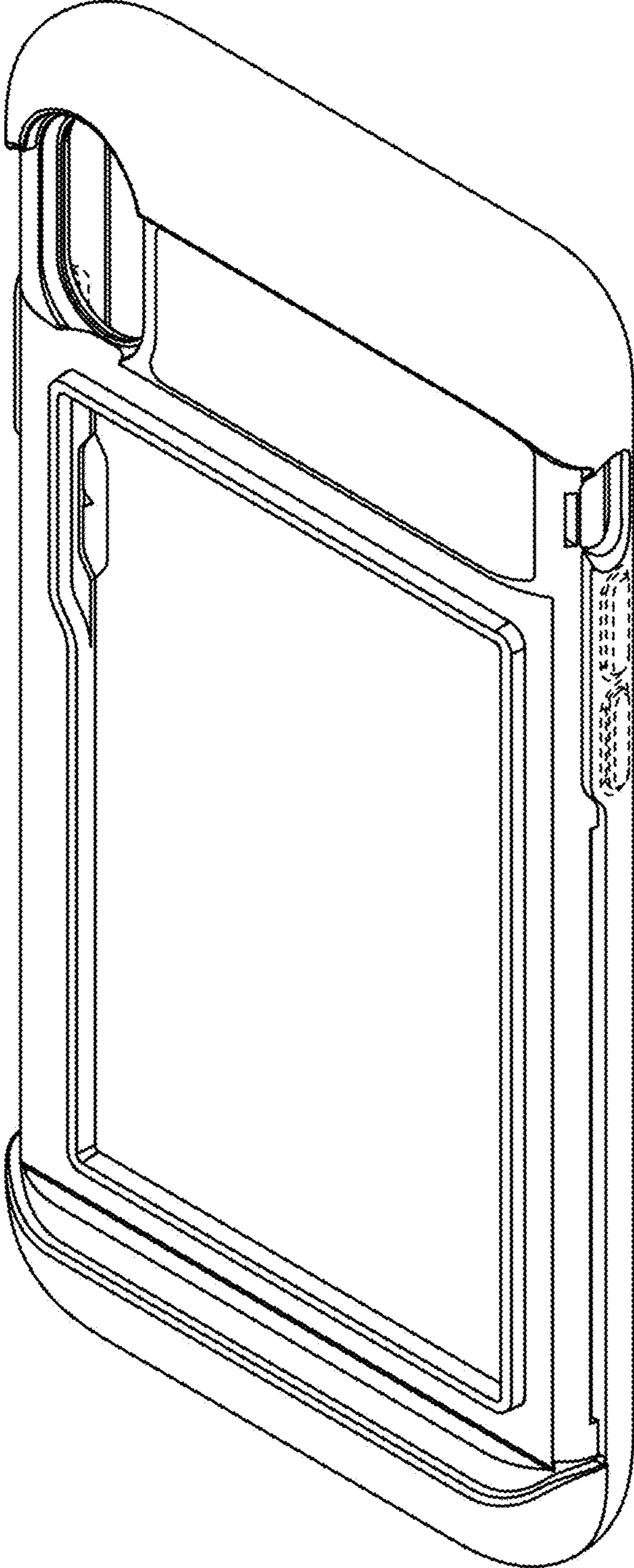


FIG. 11

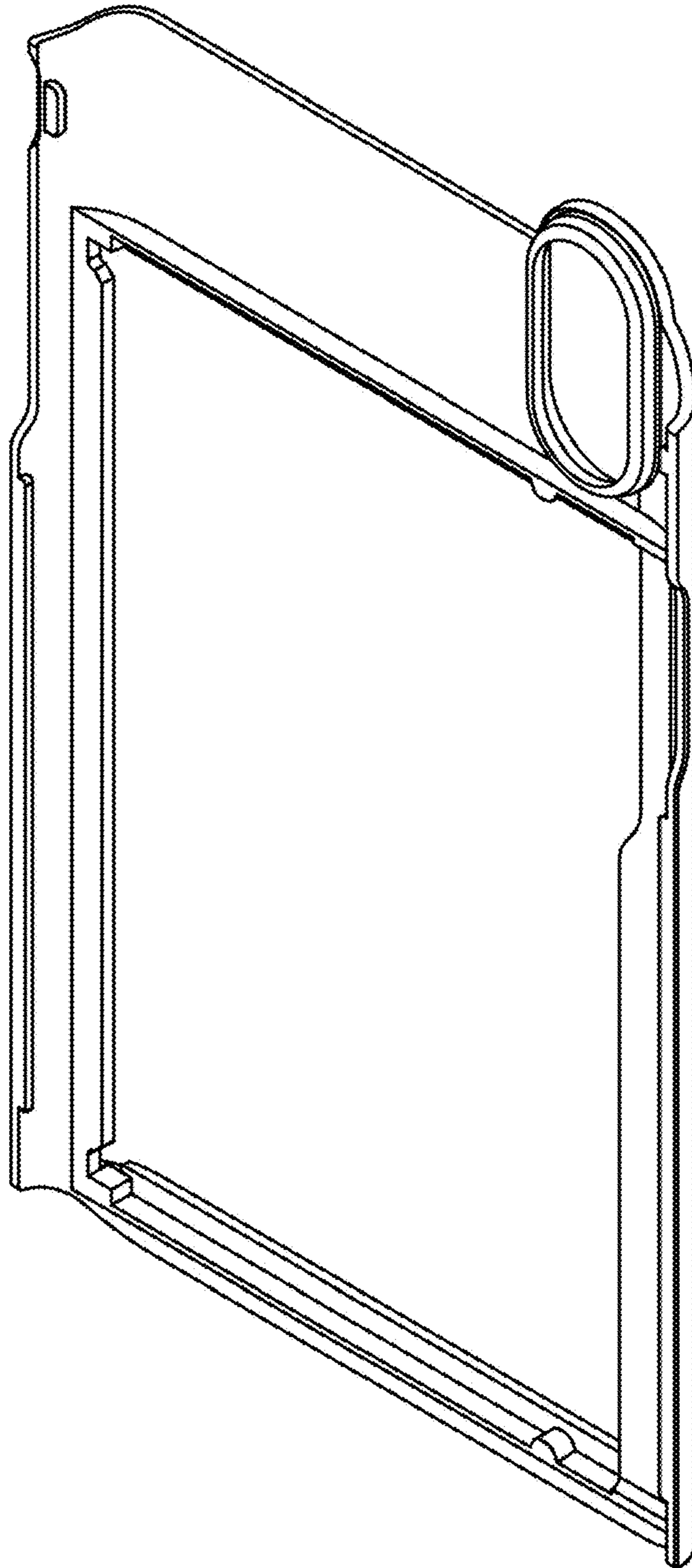


FIG. 12

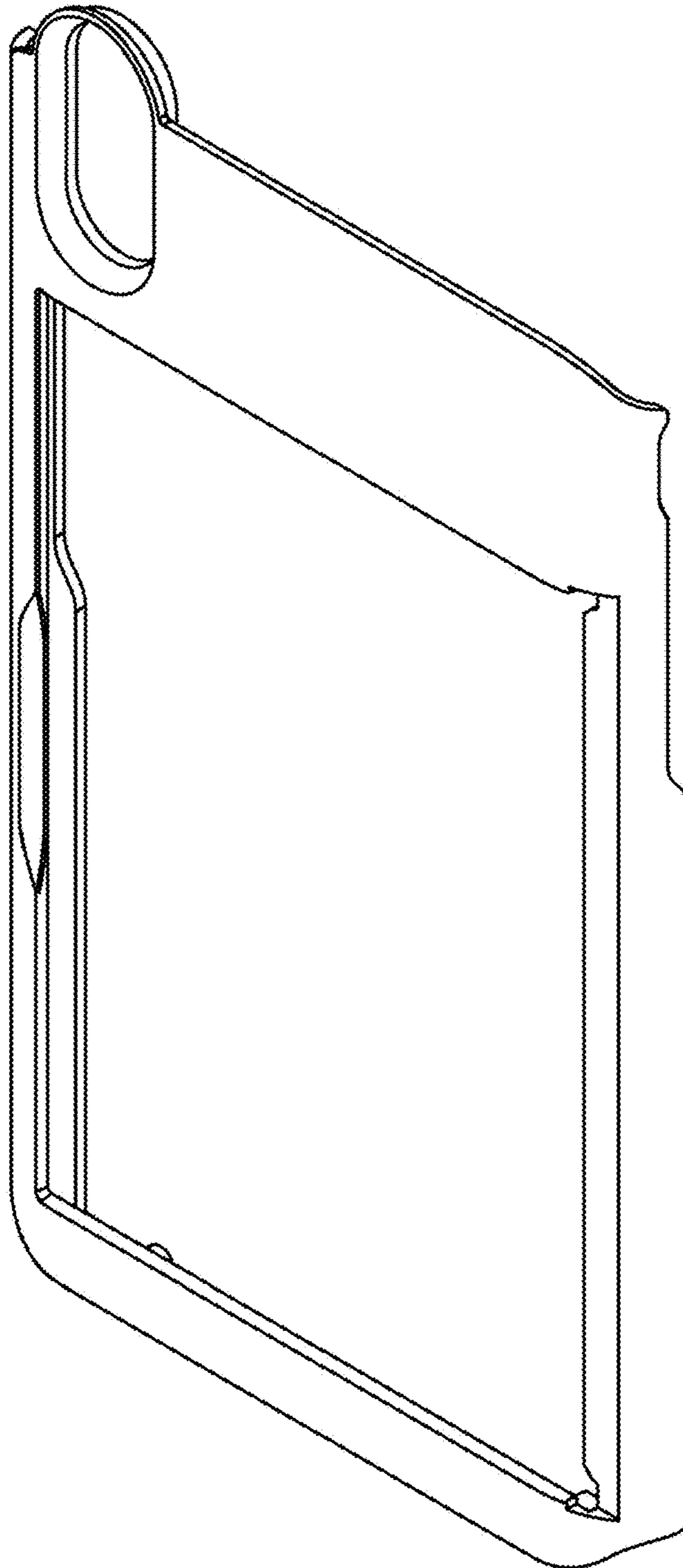


FIG. 13

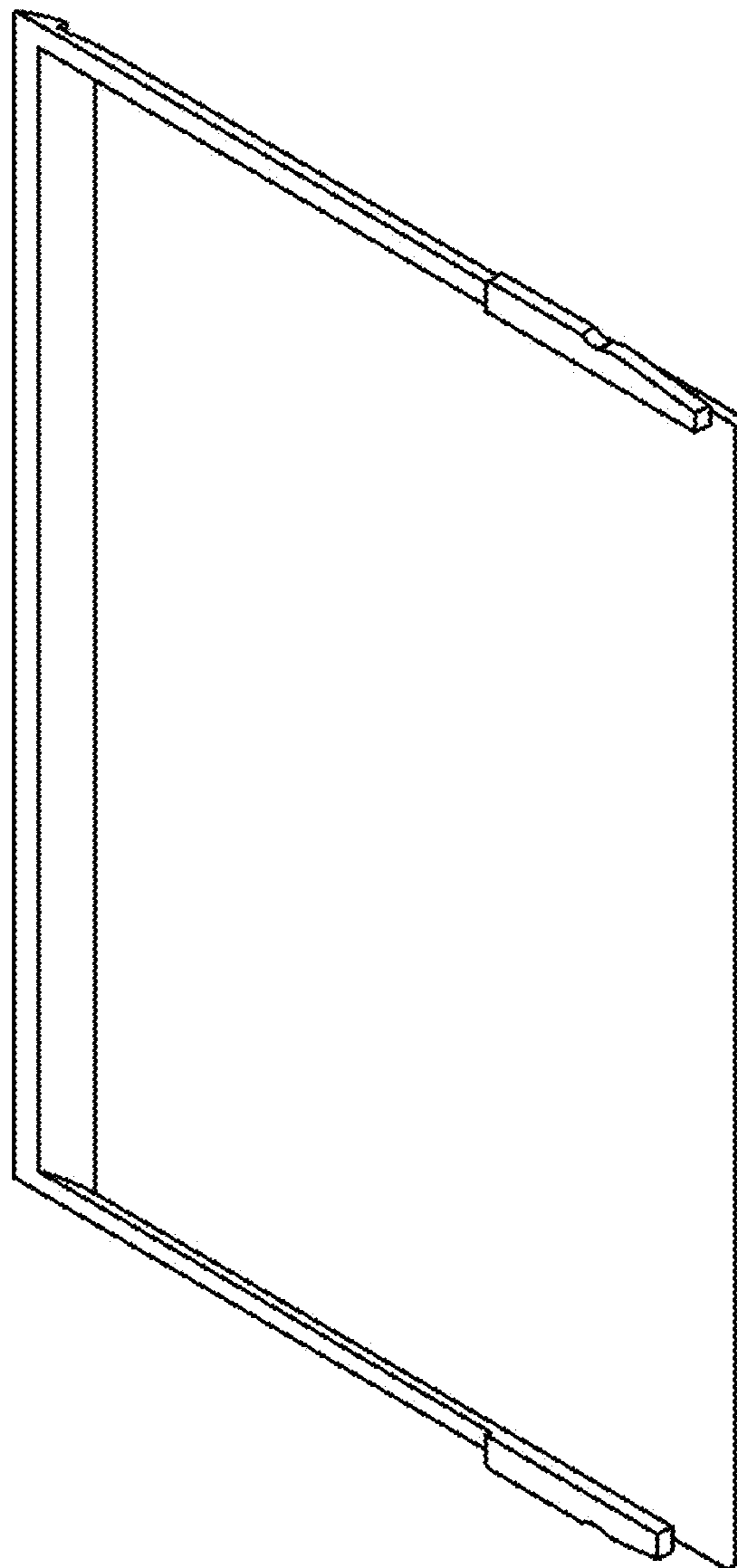


FIG. 14

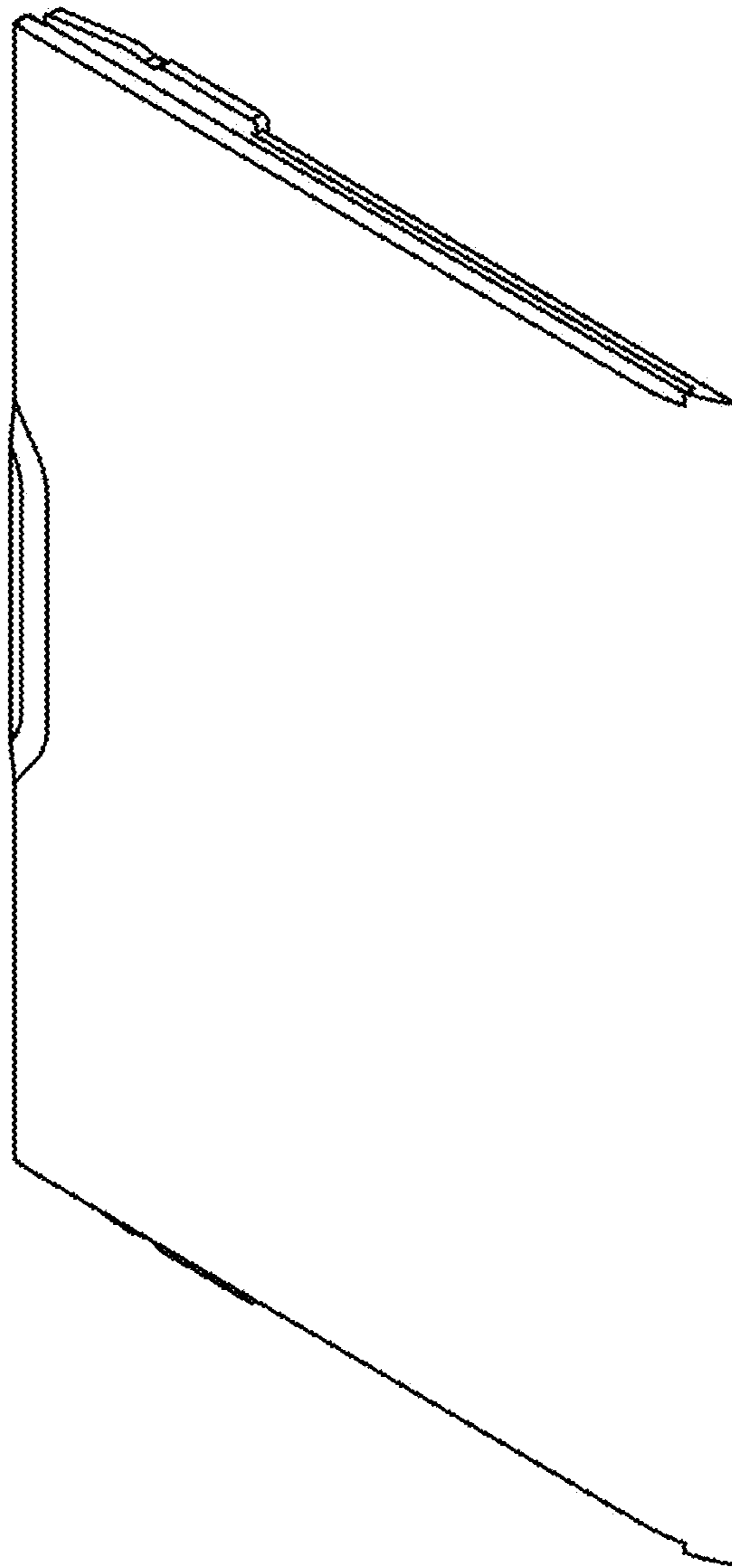


FIG. 15

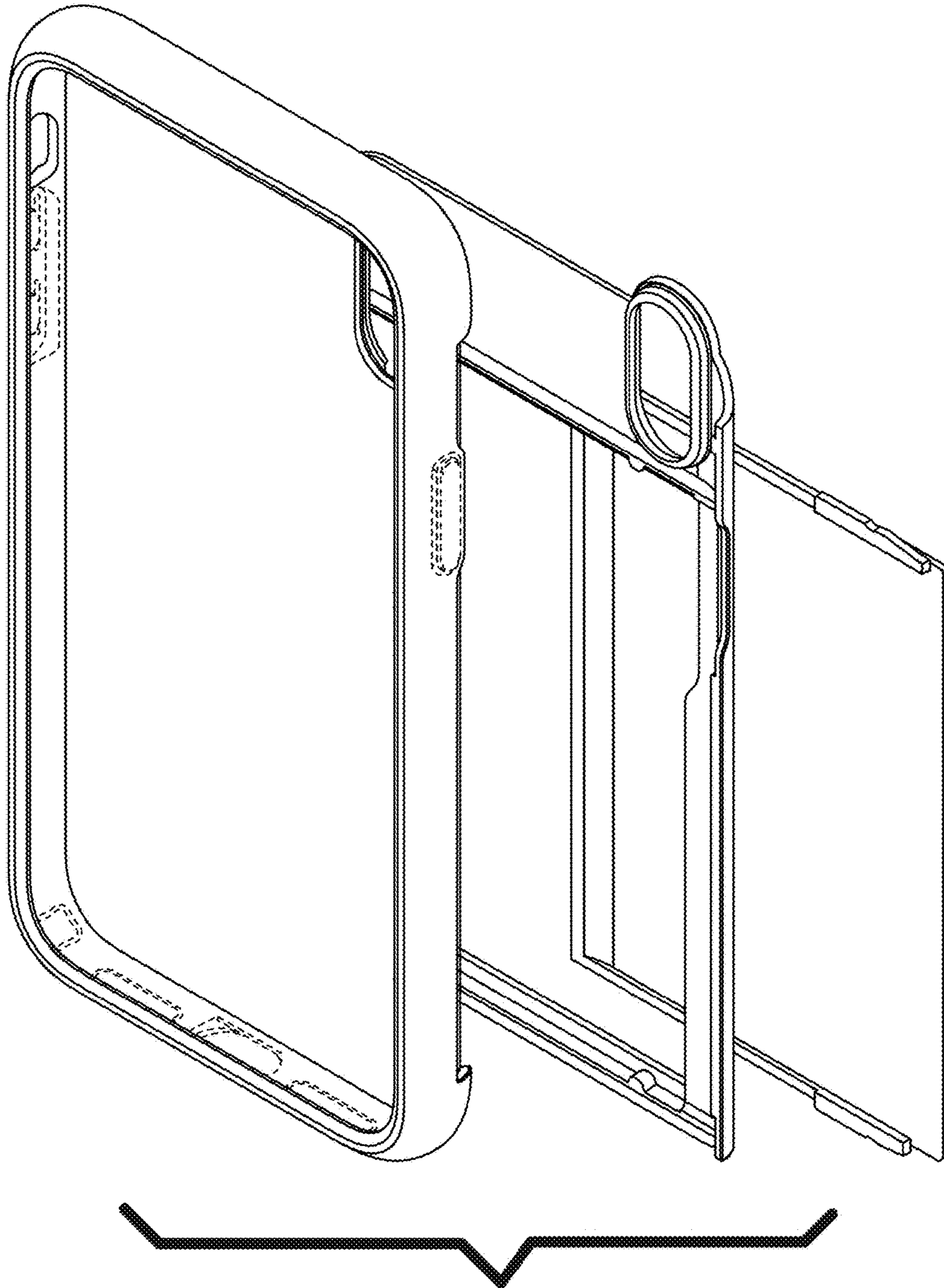


FIG. 16

