



US00D850431S

(12) **United States Design Patent**
Igarashi

(10) **Patent No.:** **US D850,431 S**
(45) **Date of Patent:** **** Jun. 4, 2019**

(54) **CASE FOR PROTECTING MOBILE COMMUNICATIONS DEVICE**

(71) Applicant: **Power Support Co., Ltd.**, Tokyo (JP)

(72) Inventor: **Katsushi Igarashi**, Tokyo (JP)

(73) Assignee: **Power Support Co., Ltd.**, Tokyo (JP)

(**) Term: **15 Years**

(21) Appl. No.: **29/550,840**

(22) Filed: **Jan. 7, 2016**

(30) **Foreign Application Priority Data**

Jul. 7, 2015 (JP) 2015-15156
Jul. 7, 2015 (JP) 2015-15157

(51) **LOC (11) Cl.** **14-03**

(52) **U.S. Cl.**
USPC **D14/250**

(58) **Field of Classification Search**

USPC D3/215, 218, 232, 233, 239, 242,
D3/245-251, 269, 273, 301, 303;
D13/103, 107, 108, 119; D14/137,
D14/138 R, 138 AA, 138 C, 138 G,
D14/203.3-203.7, 217, 238.1, 247, 248,
D14/250, 251-253, 440, 447
CPC H04B 1/3888; H04M 1/0283;
H04M 1/0202; A45C 1/06; A45C
2011/002; A45C 11/00; A45F 2005/028;
A45F 2200/0525

See application file for complete search history.

(56) **References Cited**

U.S. PATENT DOCUMENTS

D683,338 S * 5/2013 Wilson D14/250
D691,124 S * 10/2013 Yang D14/250
D697,060 S * 1/2014 Yang D14/250
D697,504 S * 1/2014 Yang D14/250
D706,253 S * 6/2014 Simmer D14/250

D709,059 S * 7/2014 Kim D14/250
D709,060 S * 7/2014 Melanson D14/250
D709,061 S * 7/2014 Borra D14/250
D753,099 S * 4/2016 Kim D14/250
D775,100 S * 12/2016 Teruyama D14/138 G

(Continued)

OTHER PUBLICATIONS

U.S. Office Action dated Sep. 28, 2018, in connection with corresponding U.S. Appl. No. 15/576,792 (20 pgs.).

(Continued)

Primary Examiner — Susan E Krakower

Assistant Examiner — L. A. Grabenstetter

(74) *Attorney, Agent, or Firm* — Maier & Maier, PLLC

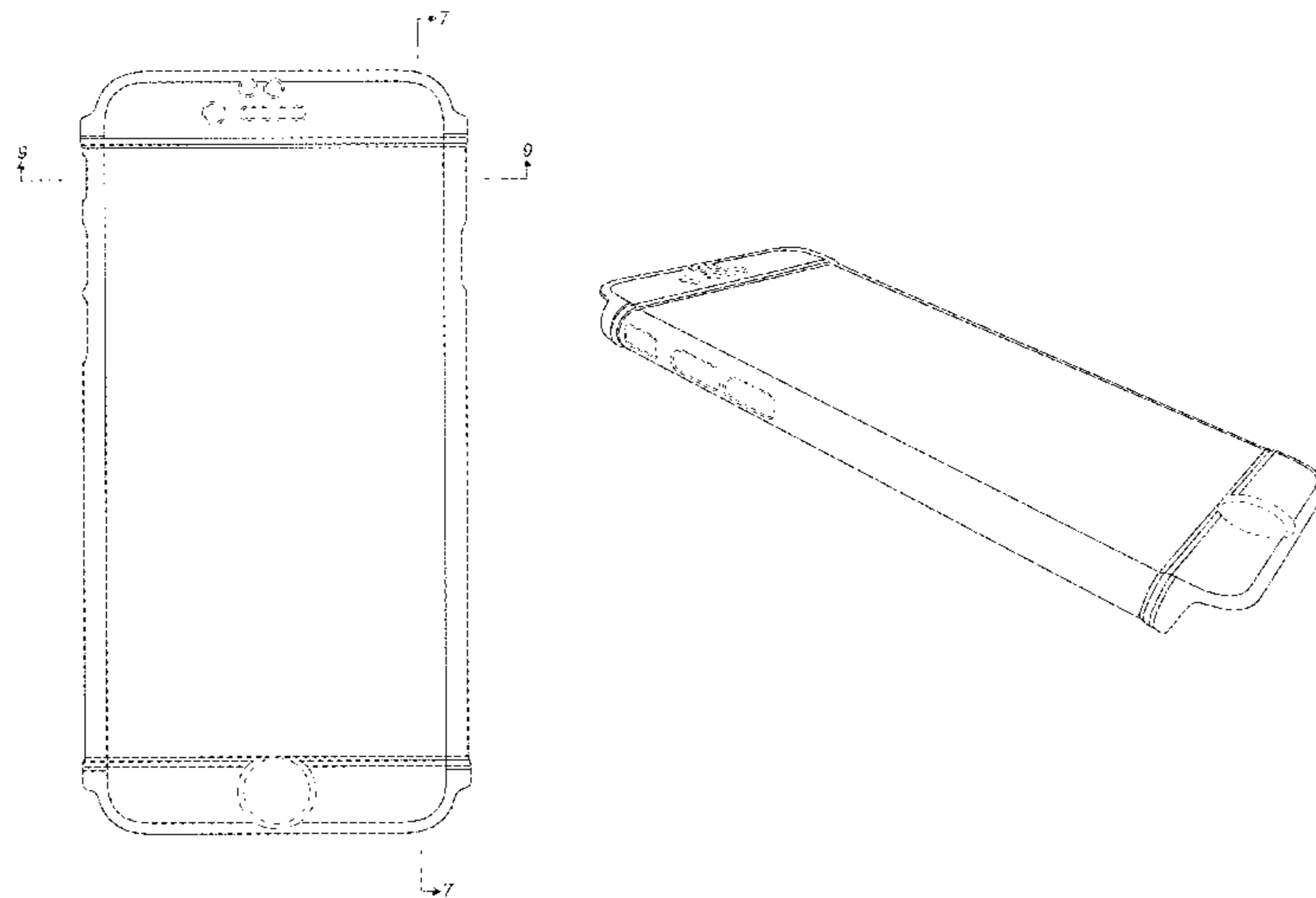
(57) **CLAIM**

The ornamental design for a case for protecting mobile communications device, as shown and described.

DESCRIPTION

FIG. 1 is a front elevation view of a case for protecting mobile communications device;
FIG. 2 is a back elevation view thereof;
FIG. 3 is a right elevation view thereof;
FIG. 4 is a left elevation view thereof;
FIG. 5 is a top plan view thereof;
FIG. 6 is a bottom plan view thereof;
FIG. 7 is a cross-sectional view thereof, taken along line 7-7 of FIG. 1;
FIG. 8 is a partial cross-sectional view thereof, taken along line 8-8 of FIG. 7;
FIG. 9 is a cross-sectional view thereof, taken along line 9-9 of FIG. 1;
FIG. 10 is a partial cross-sectional view thereof, taken along line 10-10 of FIG. 9; and,
FIG. 11 is a front perspective view thereof.
The dash-dash broken lines represent environmental subject matter that forms no part of the claimed design.

1 Claim, 7 Drawing Sheets



(56)

References Cited

U.S. PATENT DOCUMENTS

2013/0042581 A1 2/2013 Holben et al.
2013/0113348 A1 5/2013 Holben et al.
2013/0271897 A1* 10/2013 Limber H04B 1/3888
361/679.01
2013/0273944 A1* 10/2013 Wilson H04W 4/90
455/457
2016/0285497 A1* 9/2016 Roberts A45F 5/00

OTHER PUBLICATIONS

Notice of Allowance issued on Feb. 6, 2019 in corresponding U.S.
Appl. No. 15/576,792; 11 pages.

* cited by examiner

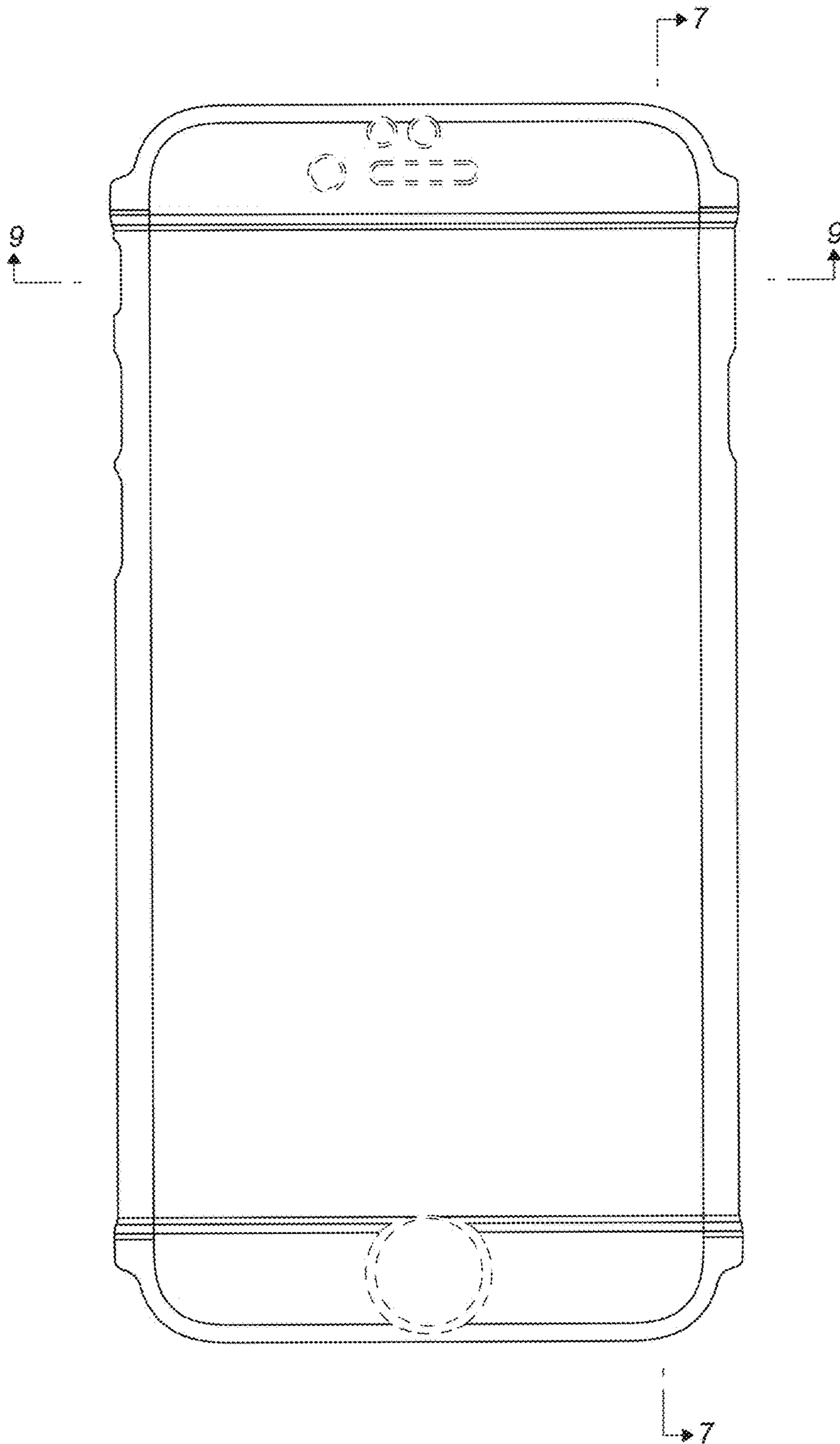


FIG. 1

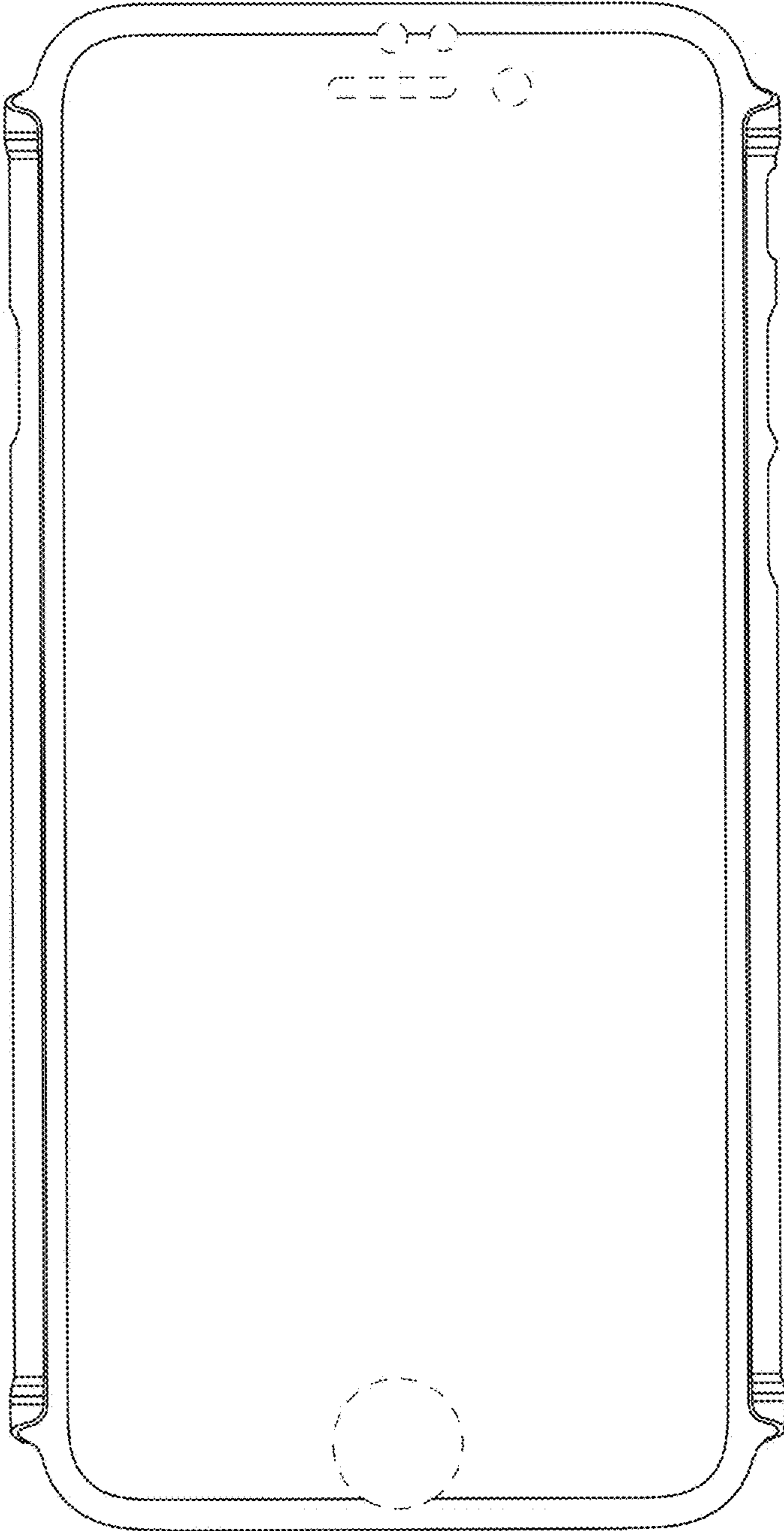


FIG. 2

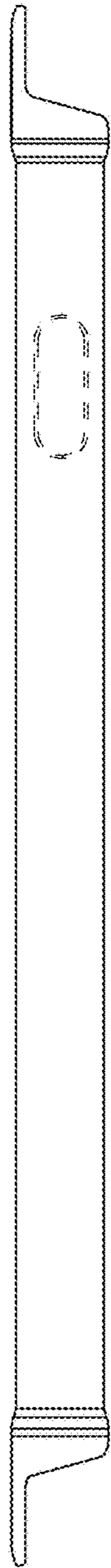


FIG. 3



FIG. 4



FIG. 5



FIG. 6

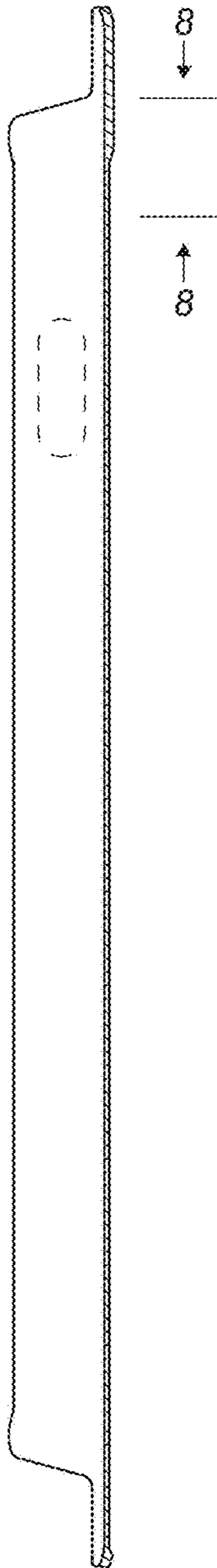


FIG. 7

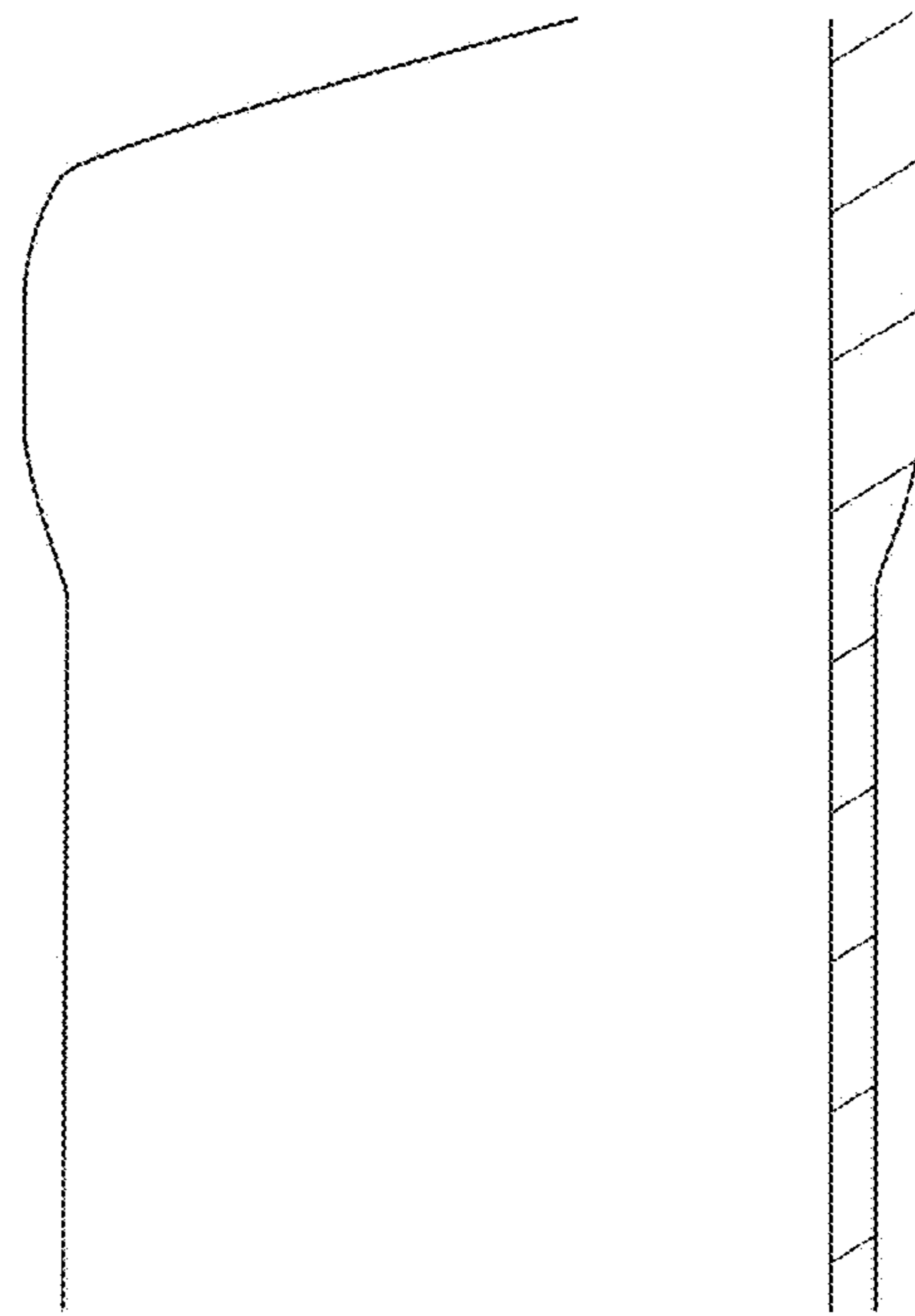


FIG. 8

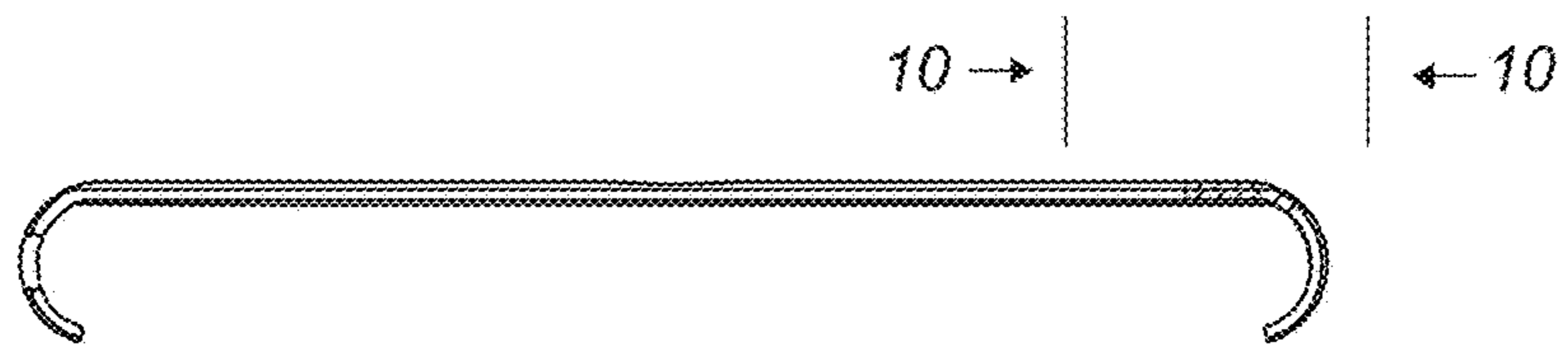


FIG. 9

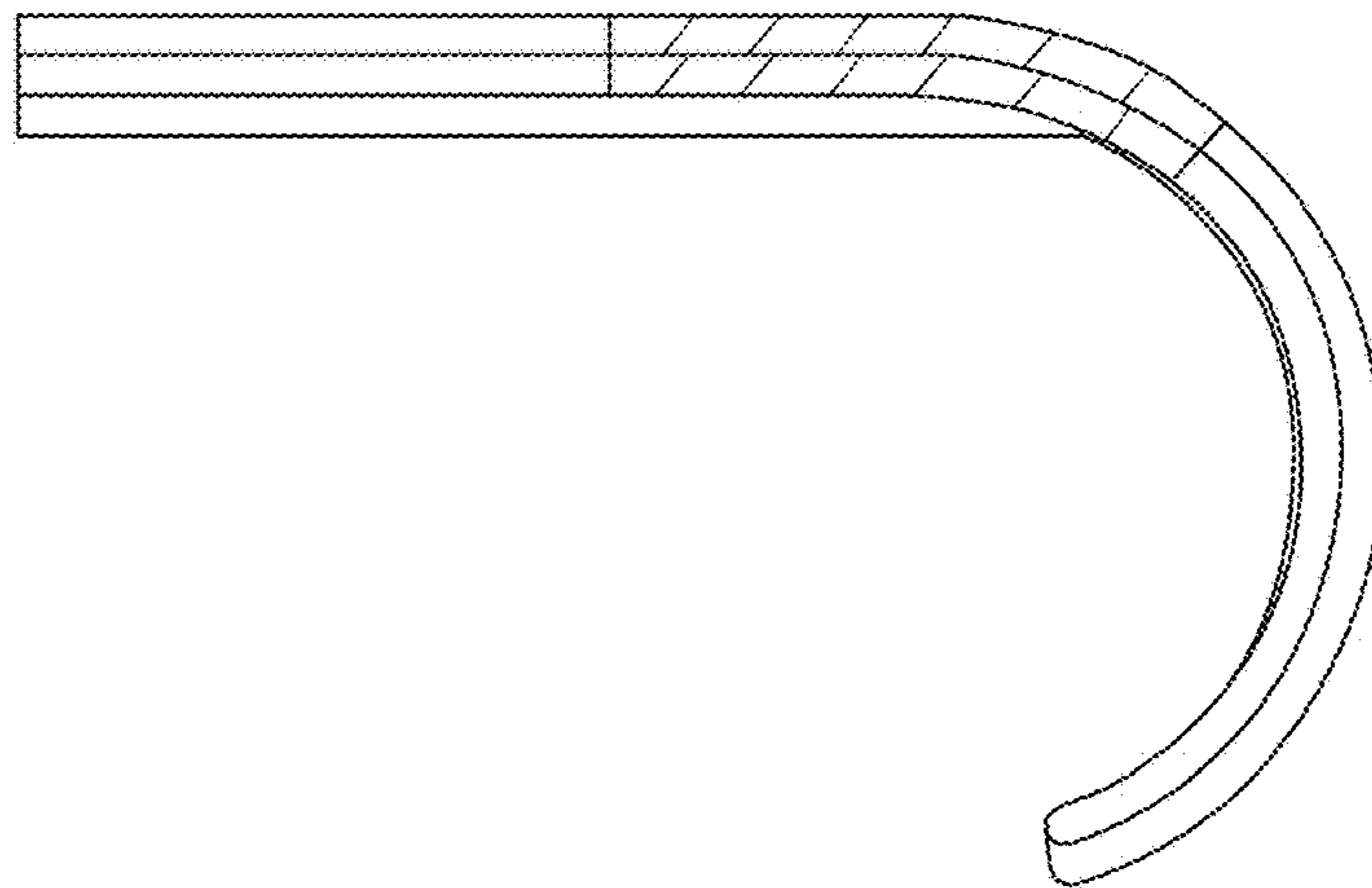


FIG. 10

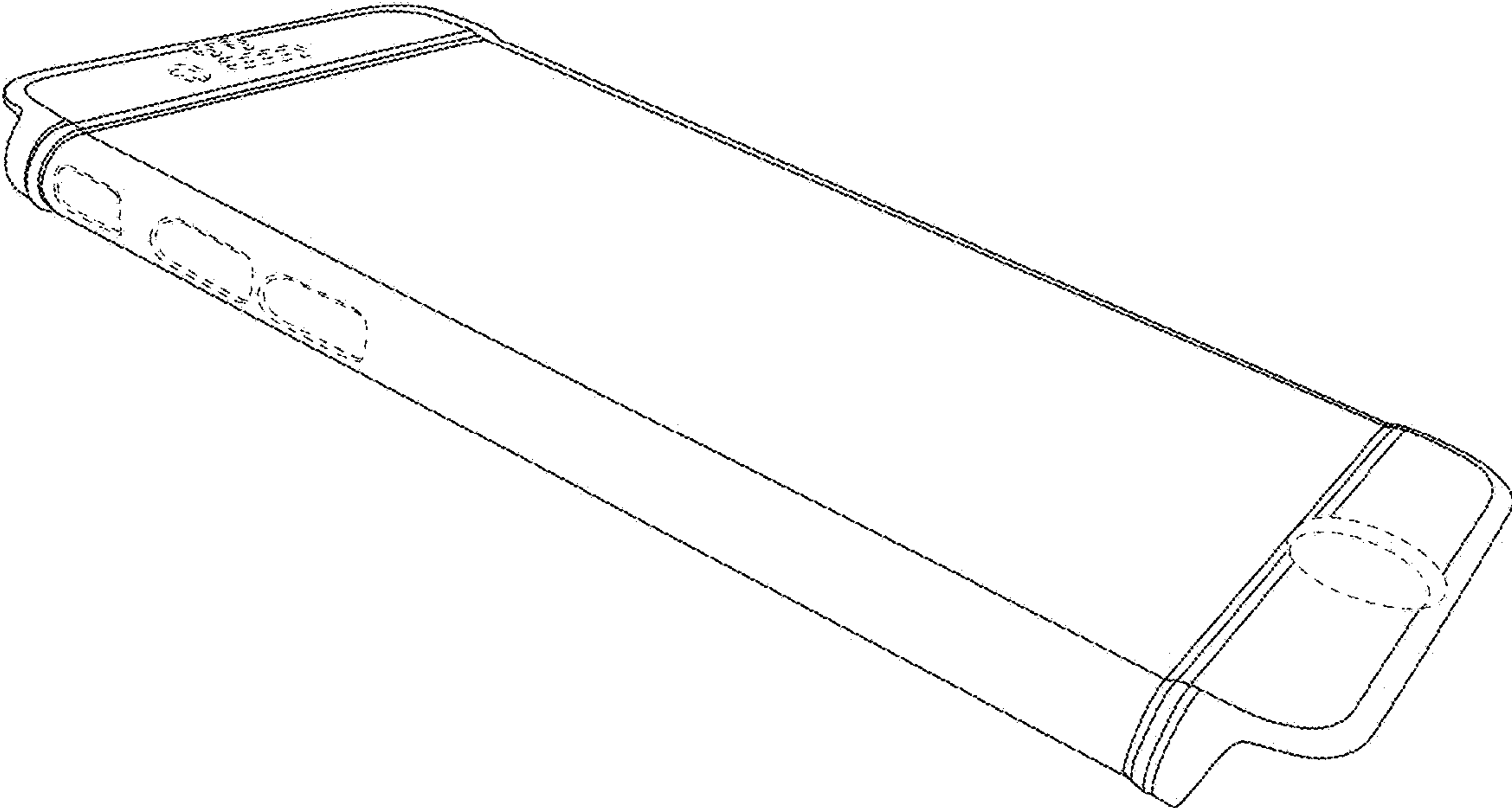


FIG. 11