



US00D850430S

(12) **United States Design Patent**  
**Wu**

(10) **Patent No.:** **US D850,430 S**  
(45) **Date of Patent:** **\*\* Jun. 4, 2019**

(54) **WIRELESS NETWORK ACCESSING DEVICE**

(71) Applicant: **ARCADYAN TECHNOLOGY CORPORATION**, Hsinchu (TW)

(72) Inventor: **Chin-Yi Wu**, Hsinchu County (TW)

(73) Assignee: **ARCADYAN TECHNOLOGY CORPORATION**, Hsinchu (TW)

(\*\*) Term: **15 Years**

(21) Appl. No.: **29/618,396**

(22) Filed: **Sep. 21, 2017**

(30) **Foreign Application Priority Data**

Aug. 22, 2017 (TW) ..... 106304846

(51) **LOC (11) Cl.** ..... **14-03**

(52) **U.S. Cl.**  
USPC ..... **D14/240**; D14/242; D14/358

(58) **Field of Classification Search**  
USPC ..... D14/348, 349, 356–358, 363, 432, 433, D14/474, 480.1, 496, 125, 137, 139, D14/140–140.9, 140.11, 141.2, 142, 155, D14/203.1, 217, 230, 240, 242, 188, 299, D14/216, 204–206, 170, 171, 196; D13/184; D3/265  
CPC ..... H04W 88/00; H04W 88/04; H04W 88/02; H04W 88/08; H04W 88/085; H04W 88/10; H04W 88/12; H04W 88/16; H04W 92/06; H04B 1/38; H04B 1/3827; H04L 12/00; H03K 17/00

See application file for complete search history.

(56) **References Cited**

**U.S. PATENT DOCUMENTS**

D276,012 S \* 10/1984 Westcott ..... D6/301  
D509,789 S \* 9/2005 Motoishi ..... D13/108

D533,148 S \* 12/2006 Hong ..... D14/125  
D656,666 S \* 3/2012 McGregor ..... D26/154  
D669,073 S \* 10/2012 Wu ..... D14/240  
D702,239 S \* 4/2014 Lee ..... D14/432  
D722,985 S \* 2/2015 Won ..... D14/125  
D752,565 S \* 3/2016 Olivier ..... D14/242  
D760,719 S \* 7/2016 Zhou ..... D14/420  
D782,481 S \* 3/2017 Zhou ..... D14/420  
D788,036 S \* 5/2017 Wang ..... D13/108  
D803,218 S \* 11/2017 Zhou ..... D14/420  
D818,988 S \* 5/2018 Kitazawa ..... D14/204  
D839,264 S \* 1/2019 Nagano ..... D14/301

\* cited by examiner

*Primary Examiner* — Jeffrey D Asch

*Assistant Examiner* — Tracey J Bell

(74) *Attorney, Agent, or Firm* — WPAT, PC

(57) **CLAIM**

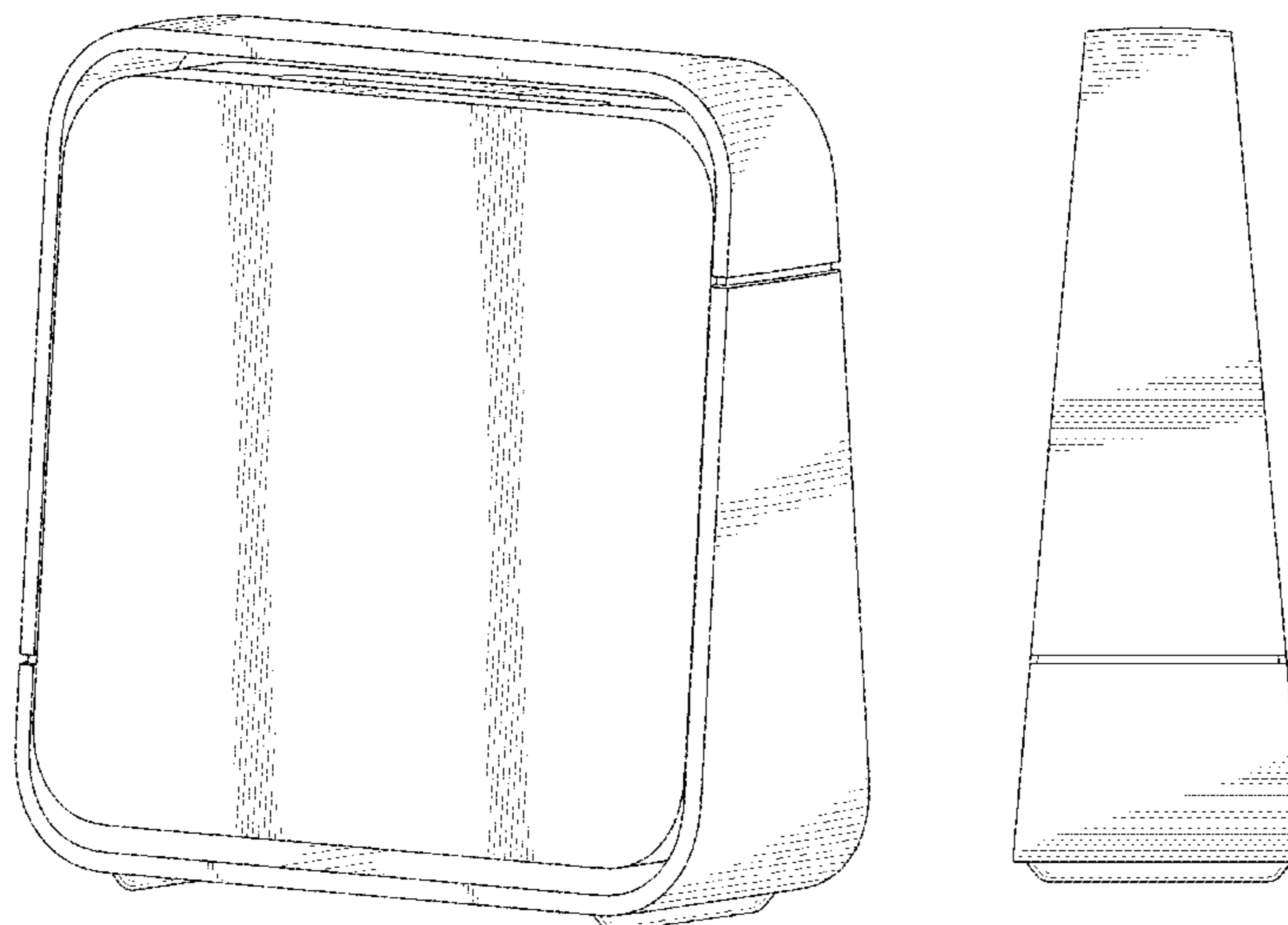
The ornamental design for a wireless network accessing device, as shown and described.

**DESCRIPTION**

FIG. 1 is a perspective view of a “wireless network accessing device” showing my design;  
FIG. 2 is a front view thereof;  
FIG. 3 is a back view thereof;  
FIG. 4 is a left view thereof;  
FIG. 5 is a right view thereof;  
FIG. 6 is a top view thereof; and,  
FIG. 7 is a bottom view thereof.

The portion shown in the broken lines depict environmental subject matter and form no part of the claimed design.

**1 Claim, 7 Drawing Sheets**



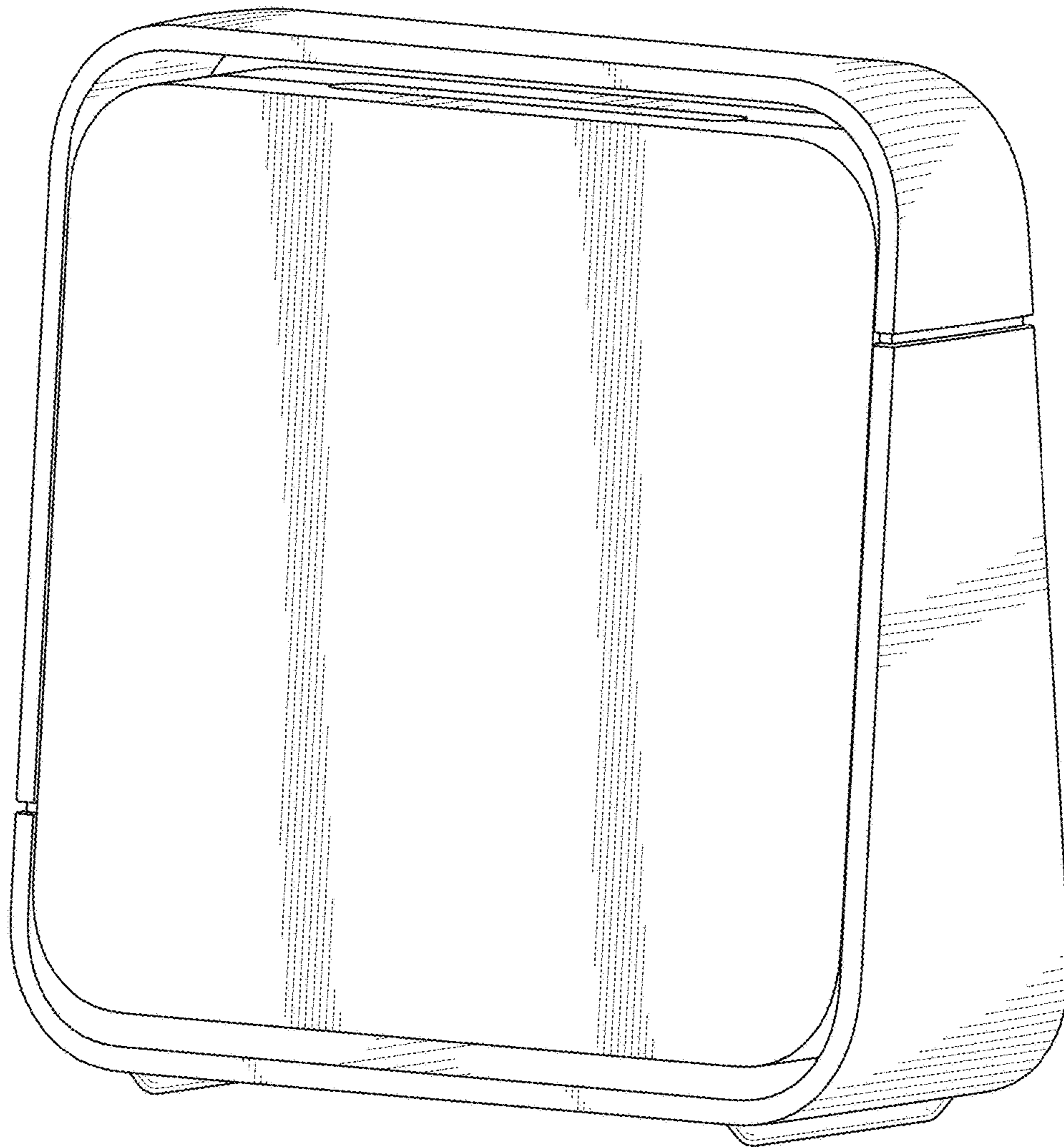


FIG. 1

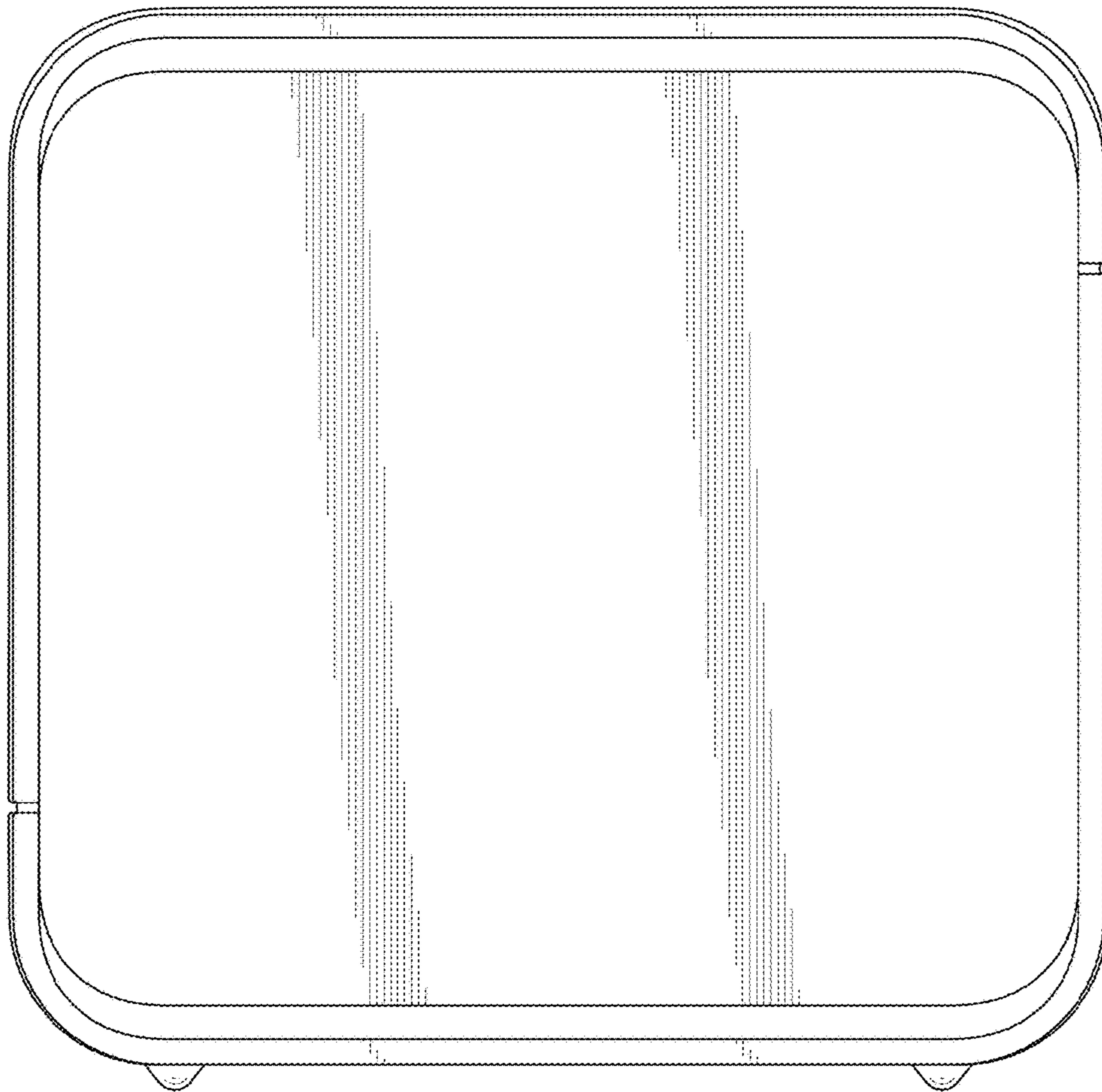


FIG. 2

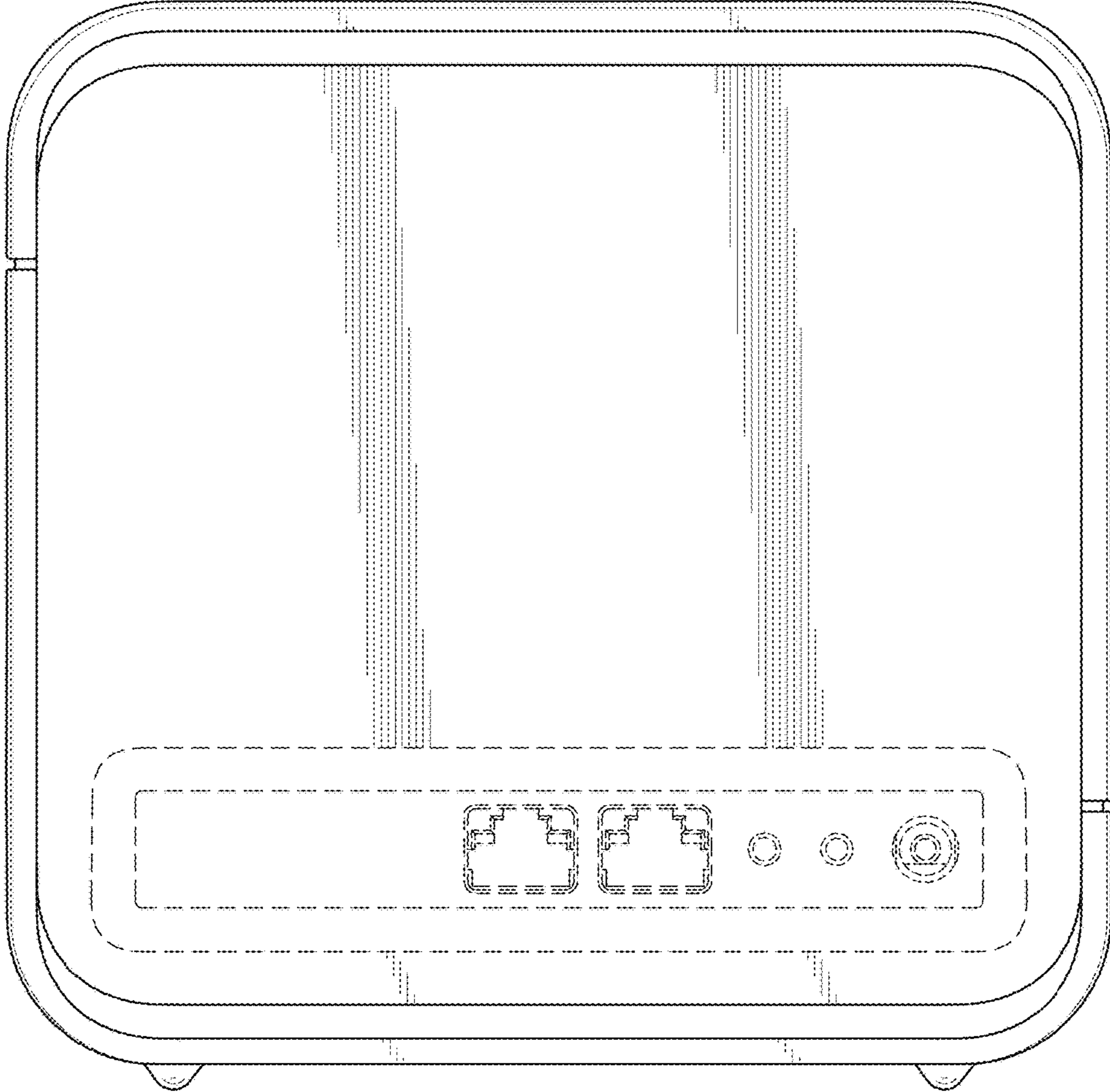


FIG.3

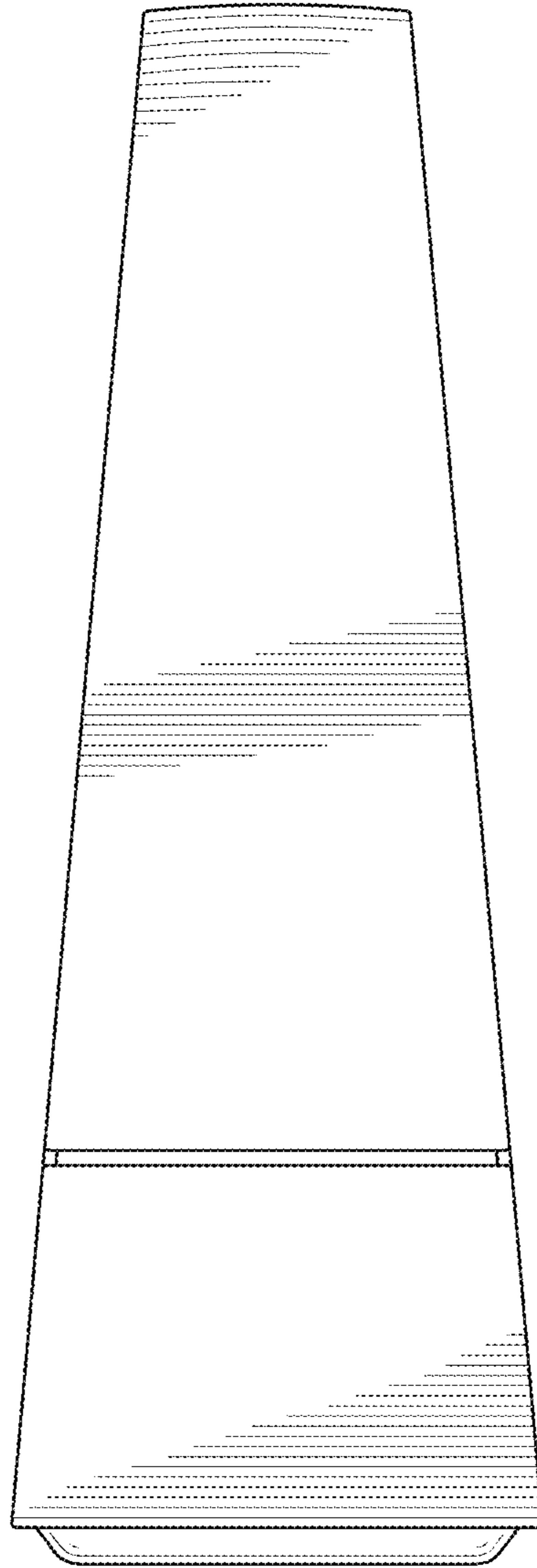


FIG. 4



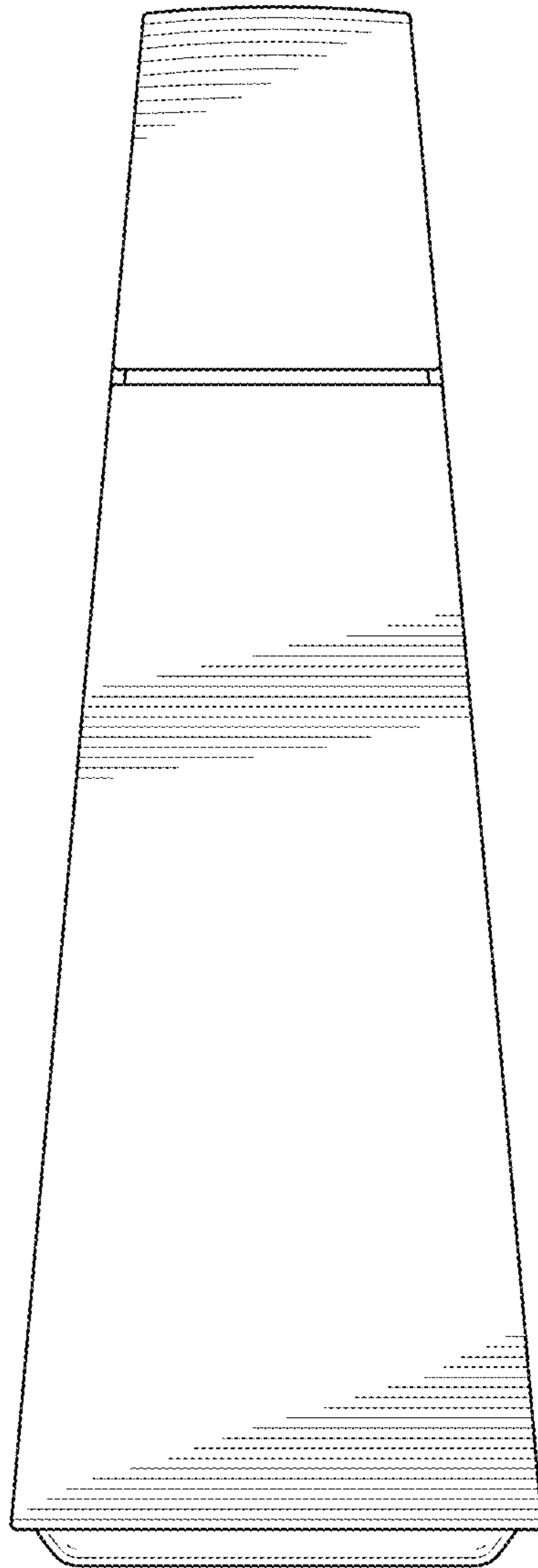


FIG. 5

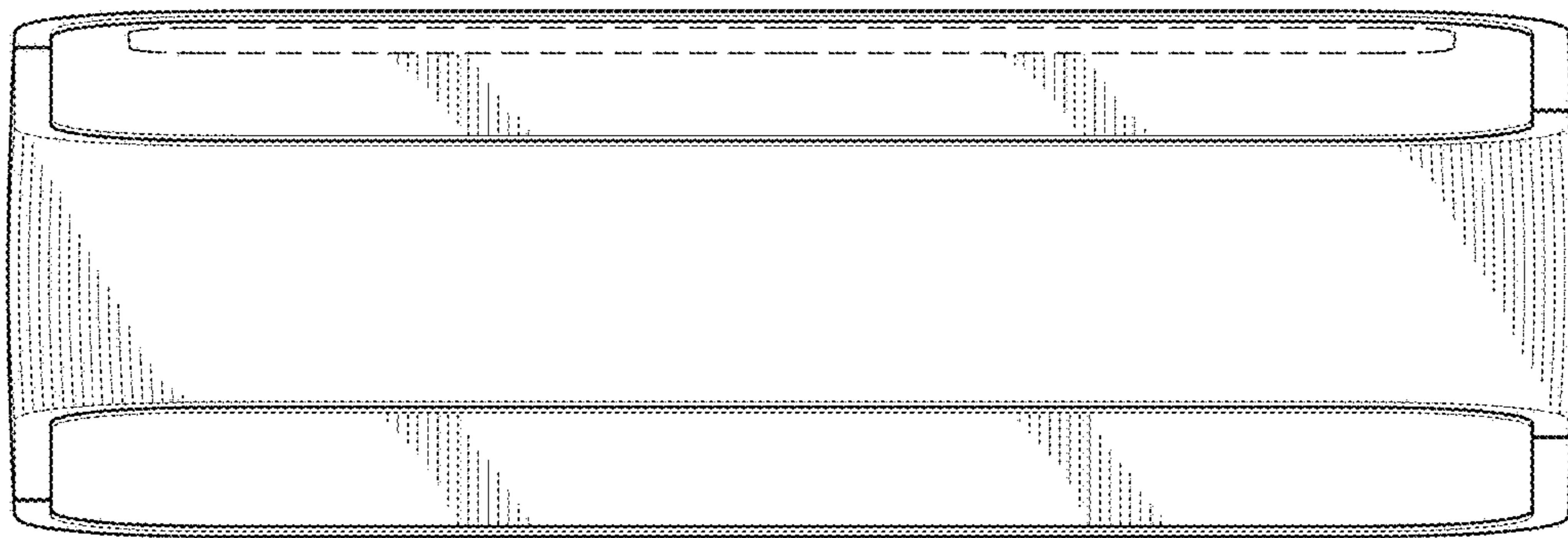


FIG.6



FIG. 7