



US00D850428S

(12) **United States Design Patent** (10) **Patent No.:** **US D850,428 S**
Jeon et al. (45) **Date of Patent:** **** Jun. 4, 2019**

(54) **STAND FOR TELEVISION RECEIVER**

(56) **References Cited**

(71) Applicant: **LG ELECTRONICS INC.**, Seoul (KR)

U.S. PATENT DOCUMENTS

(72) Inventors: **Byunglok Jeon**, Seoul (KR); **Yooseok Kim**, Seoul (KR); **Hyoungwon Kim**, Seoul (KR)

D360,884 S *	8/1995	Onuma	D14/451
D528,517 S *	9/2006	Izumi	D14/126
D643,002 S *	8/2011	Choi	D14/126
D716,756 S *	11/2014	Kim	D14/204
D728,498 S *	5/2015	Park	D14/126
D728,499 S *	5/2015	Park	D14/126
D728,500 S *	5/2015	Park	D14/126
D741,278 S *	10/2015	Kang	D14/126
D743,940 S *	11/2015	Yang	D14/214
D755,747 S *	5/2016	Park	D14/126
D772,829 S *	11/2016	Han	D14/126
D772,832 S *	11/2016	Han	D14/126
D772,834 S *	11/2016	Han	D14/126
D836,581 S *	12/2018	Andresen	D14/126
D836,585 S *	12/2018	Seo	D14/126

(73) Assignee: **LG ELECTRONICS INC.**, Seoul (KR)

(**) Term: **15 Years**

(21) Appl. No.: **35/504,937**

(22) Filed: **Nov. 14, 2017**

* cited by examiner

(80) **Hague Agreement Data**

Int. Filing Date: **Nov. 14, 2017**
 Int. Reg. No.: **DM/098949**
 Int. Reg. Date: **Nov. 14, 2017**
 Int. Reg. Pub. Date: **May 18, 2018**

Primary Examiner — Robert M. Spear

(74) *Attorney, Agent, or Firm* — Birch, Stewart, Kolasch & Birch, LLP

(30) **Foreign Application Priority Data**

May 24, 2017 (KR) 30-2017-0023619

(51) **LOC (11) Cl.** **14-03**

(52) **U.S. Cl.**
USPC **D14/239**

(58) **Field of Classification Search**
 USPC D14/126, 316, 335, 336, 340, 374, 375, D14/451, 452, 239; D21/515
 CPC G06F 1/1601; G06F 1/1626; G06F 1/1643; H04N 5/64; H04N 5/645; H05K 5/00; H05K 5/0204; F16M 11/00; F16M 11/04; F16M 11/043; F16M 11/10; F16M 13/00
 See application file for complete search history.

(57) **CLAIM**

The ornamental design for a stand for television receiver, as shown and described.

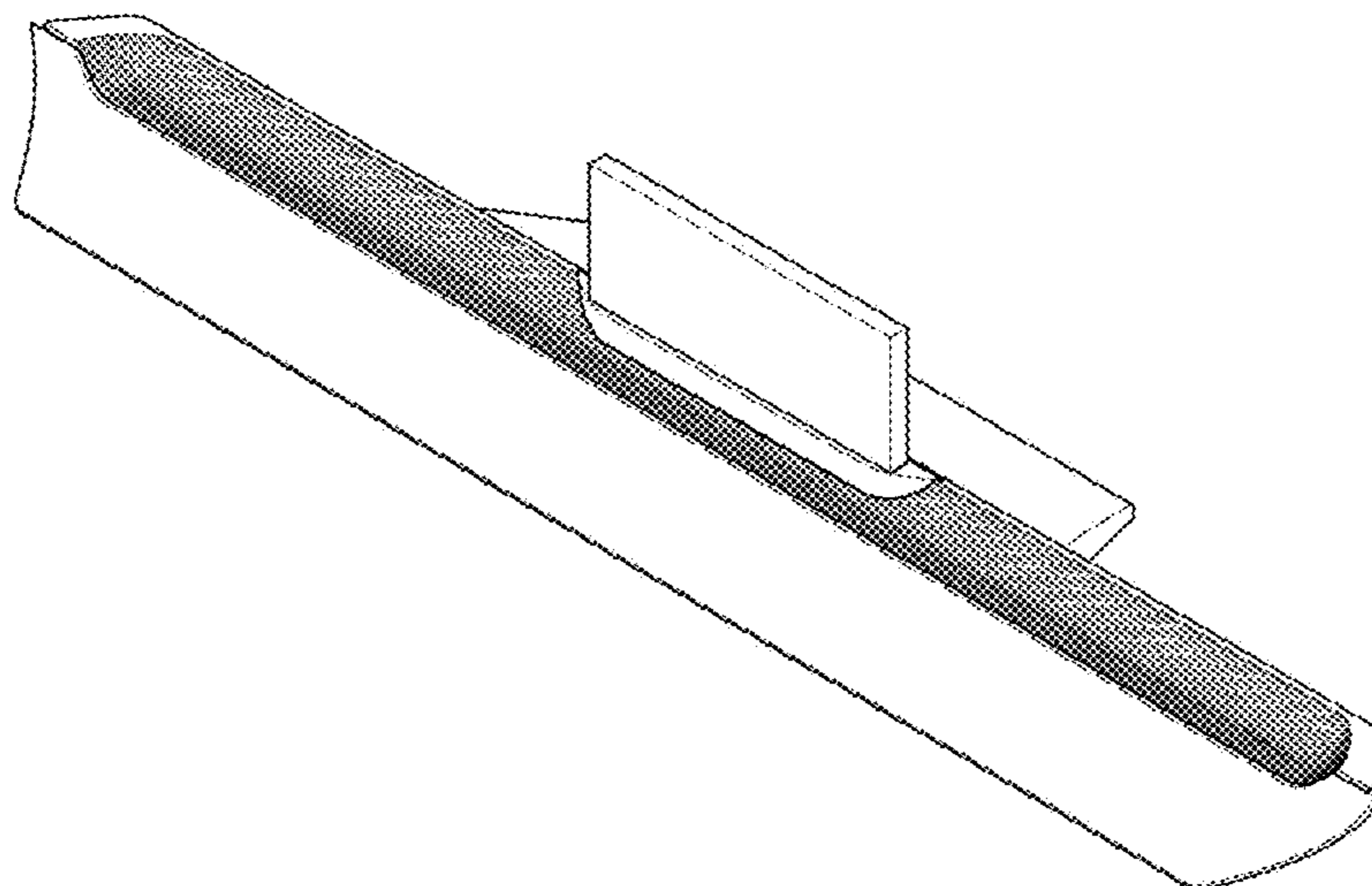
DESCRIPTION

1. Stand for television receiver

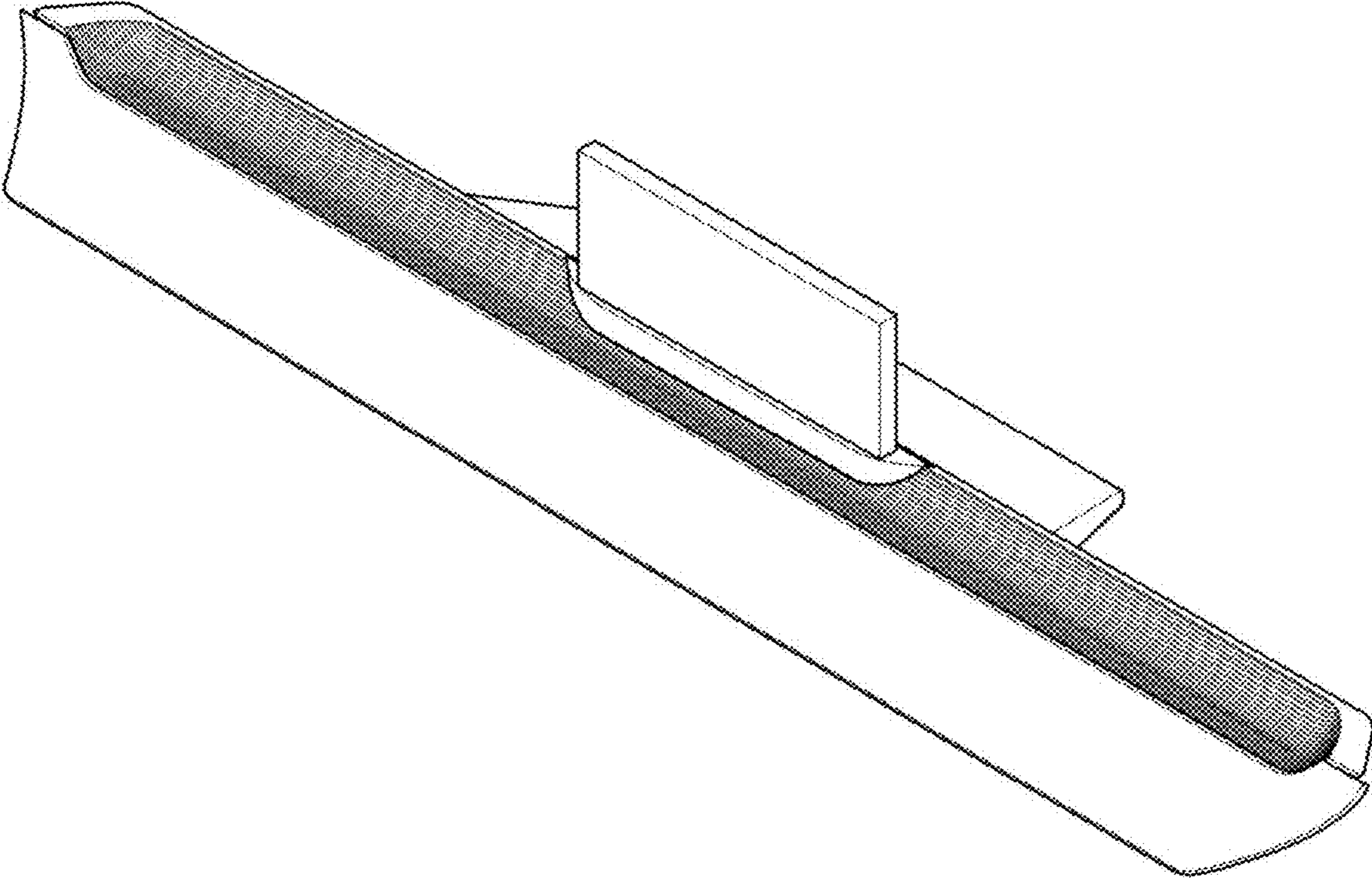
- 1.1 : Perspective
- 1.2 : Front
- 1.3 : Back
- 1.4 : Left
- 1.5 : Right
- 1.6 : Top
- 1.7 : Bottom

The parallel fine lines and curves shown in all the drawings indicate the relief of surface of the product.

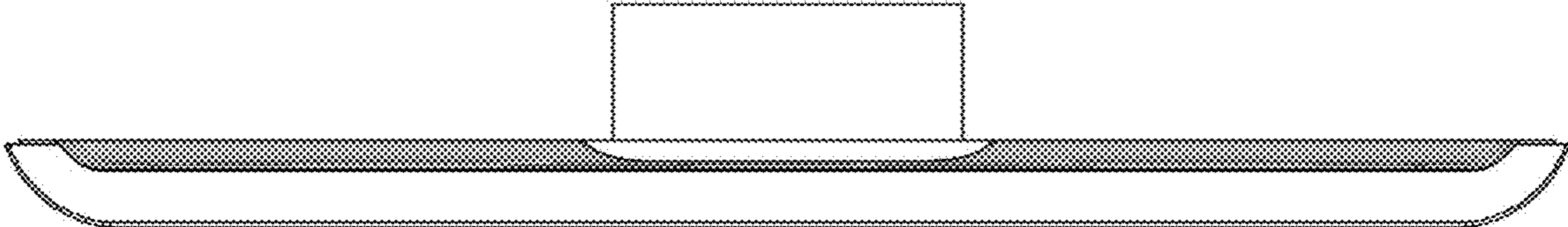
1 Claim, 7 Drawing Sheets



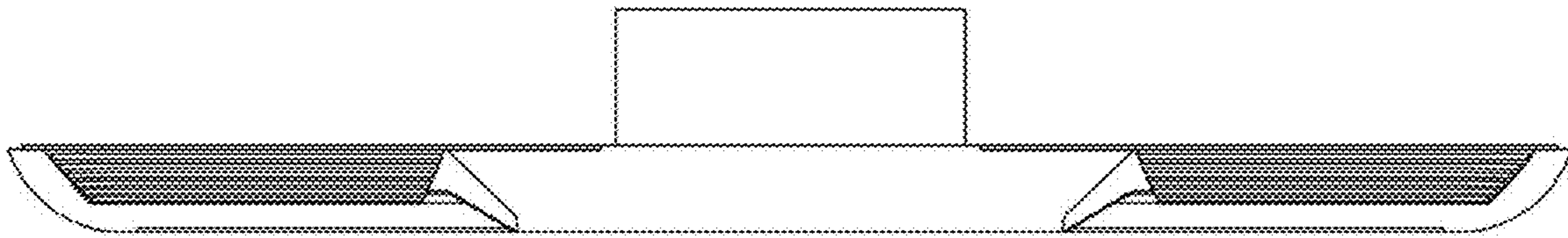
1.1



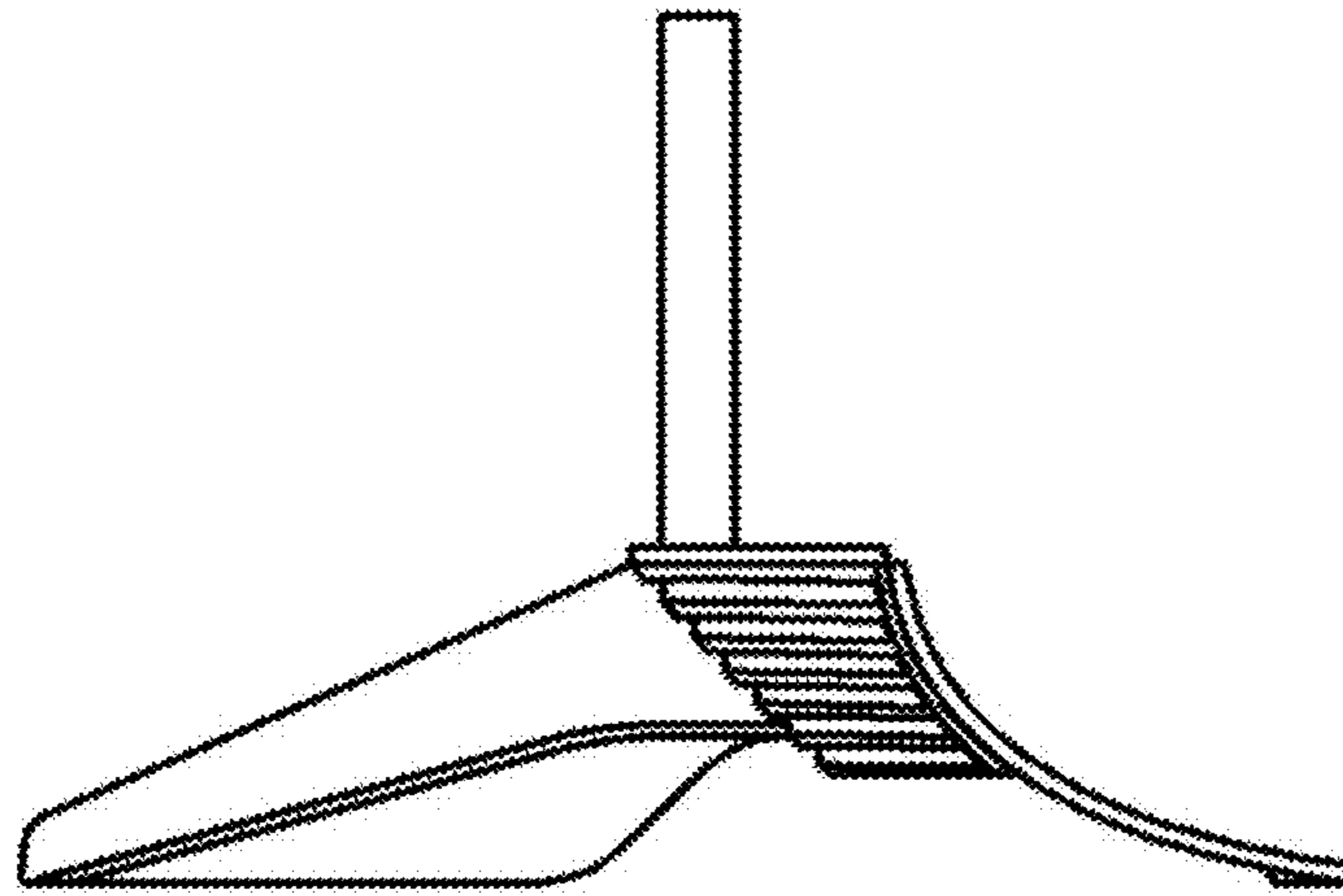
1.2



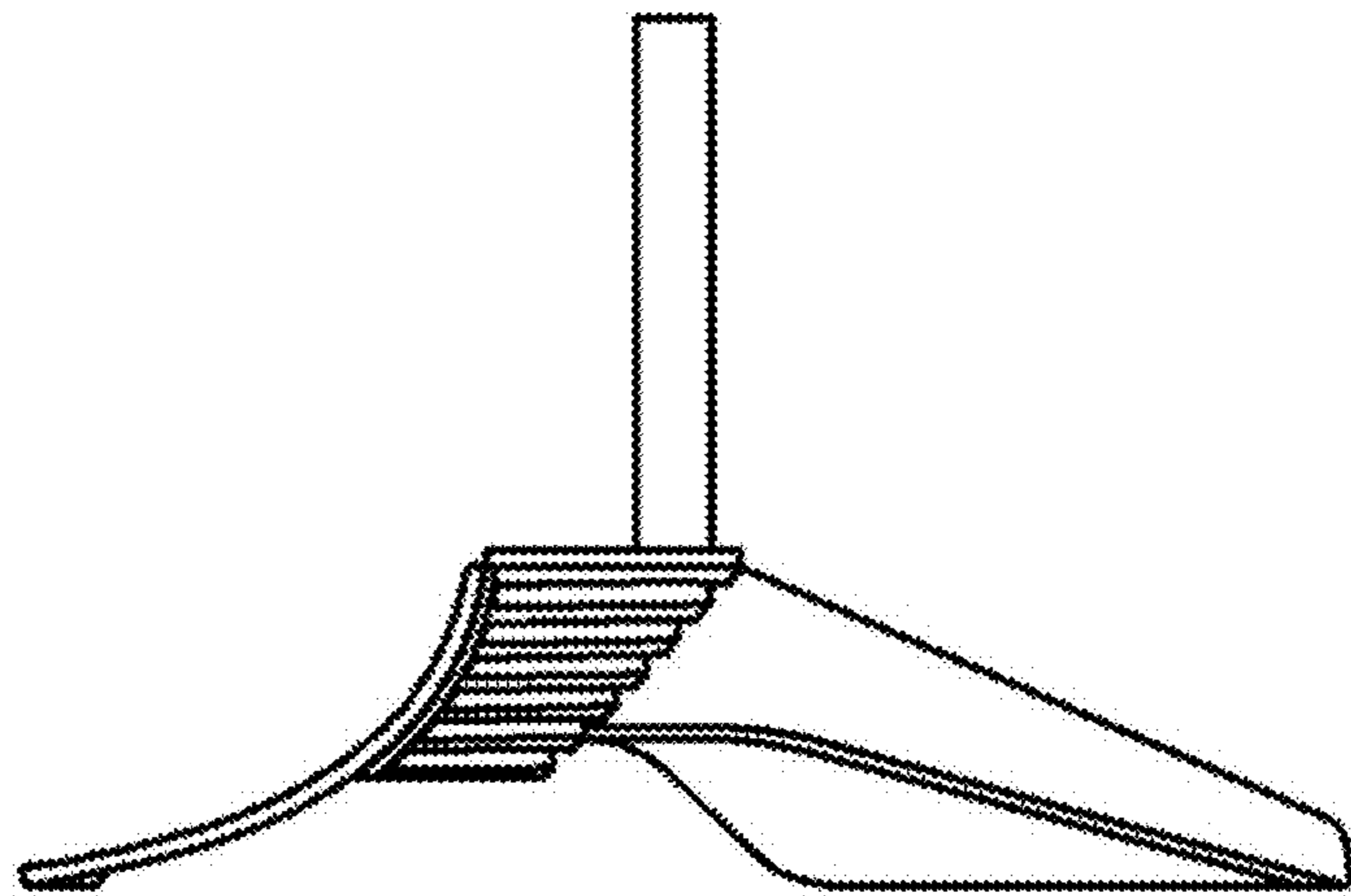
1.3



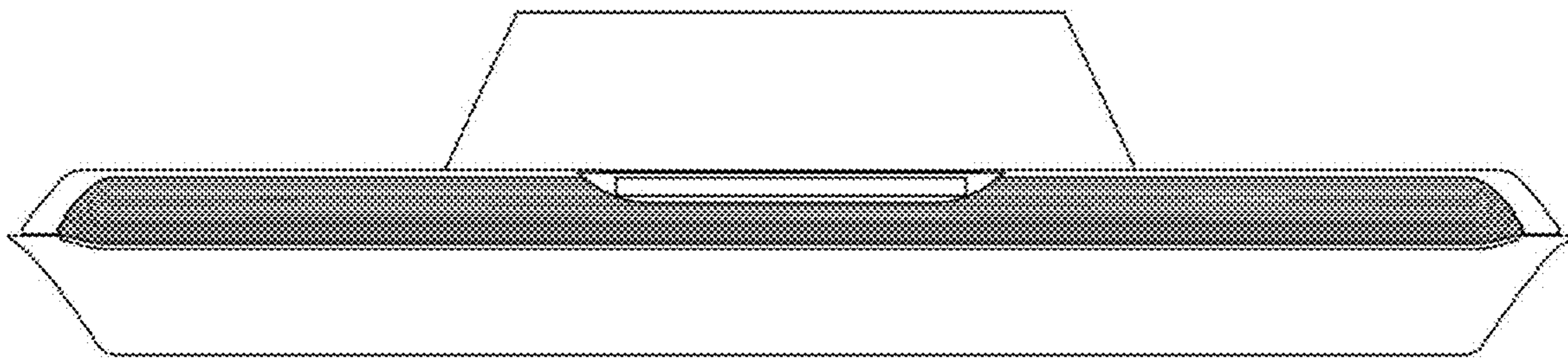
1.4



1.5



1.6



1.7

