



US00D850422S

(12) **United States Design Patent**  
**Lamb et al.**

(10) **Patent No.:** **US D850,422 S**  
(45) **Date of Patent:** **\*\* Jun. 4, 2019**

- (54) **WEARABLE MICROPHONE**
- (71) Applicant: **Point Source Audio, Inc.**, Petaluma, CA (US)
- (72) Inventors: **James Lamb**, Novato, CA (US);  
**Yvonne Ho**, Novato, CA (US)
- (73) Assignee: **Point Source Audio, Inc.**, Petaluma, CA (US)
- (\*\*) Term: **15 Years**
- (21) Appl. No.: **29/621,415**
- (22) Filed: **Oct. 7, 2017**
- (51) **LOC (11) Cl.** ..... **14-01**
- (52) **U.S. Cl.**  
USPC ..... **D14/225**
- (58) **Field of Classification Search**  
USPC ..... D14/224-229; D16/244; D17/99;  
D6/681; 248/125.1, 166, 185.1;  
381/355, 359, 361-363, 365, 366, 369,  
381/375; 379/428.01, 428.04, 431,  
379/433.03; D13/133, 147  
CPC . H04R 25/00; H04R 1/02; H04R 5/02; H04R  
9/08; F16M 11/38; F16M 13/00; F16M  
11/00  
See application file for complete search history.

D295,169 S *	4/1988	Cho	.....	D14/225
D356,571 S *	3/1995	Garmon	.....	D14/225
D418,512 S *	1/2000	Lin	.....	D14/227
D553,567 S *	10/2007	Kawanobe	.....	D13/133
D645,028 S *	9/2011	Pescetto	.....	D14/225
D720,726 S *	1/2015	Yu	.....	D14/225
D733,658 S *	7/2015	Yang	.....	D13/147
D778,877 S *	2/2017	Lin	.....	D14/218
D815,599 S *	4/2018	Kobayashi	.....	D13/147
D815,600 S *	4/2018	Matsuoka	.....	D13/147
D825,468 S *	8/2018	Zeng	.....	D13/133

\* cited by examiner

*Primary Examiner* — Katie Jane Stofko

(57) **CLAIM**

We claim the ornamental design for a wearable microphone, substantially as shown and described.

**DESCRIPTION**

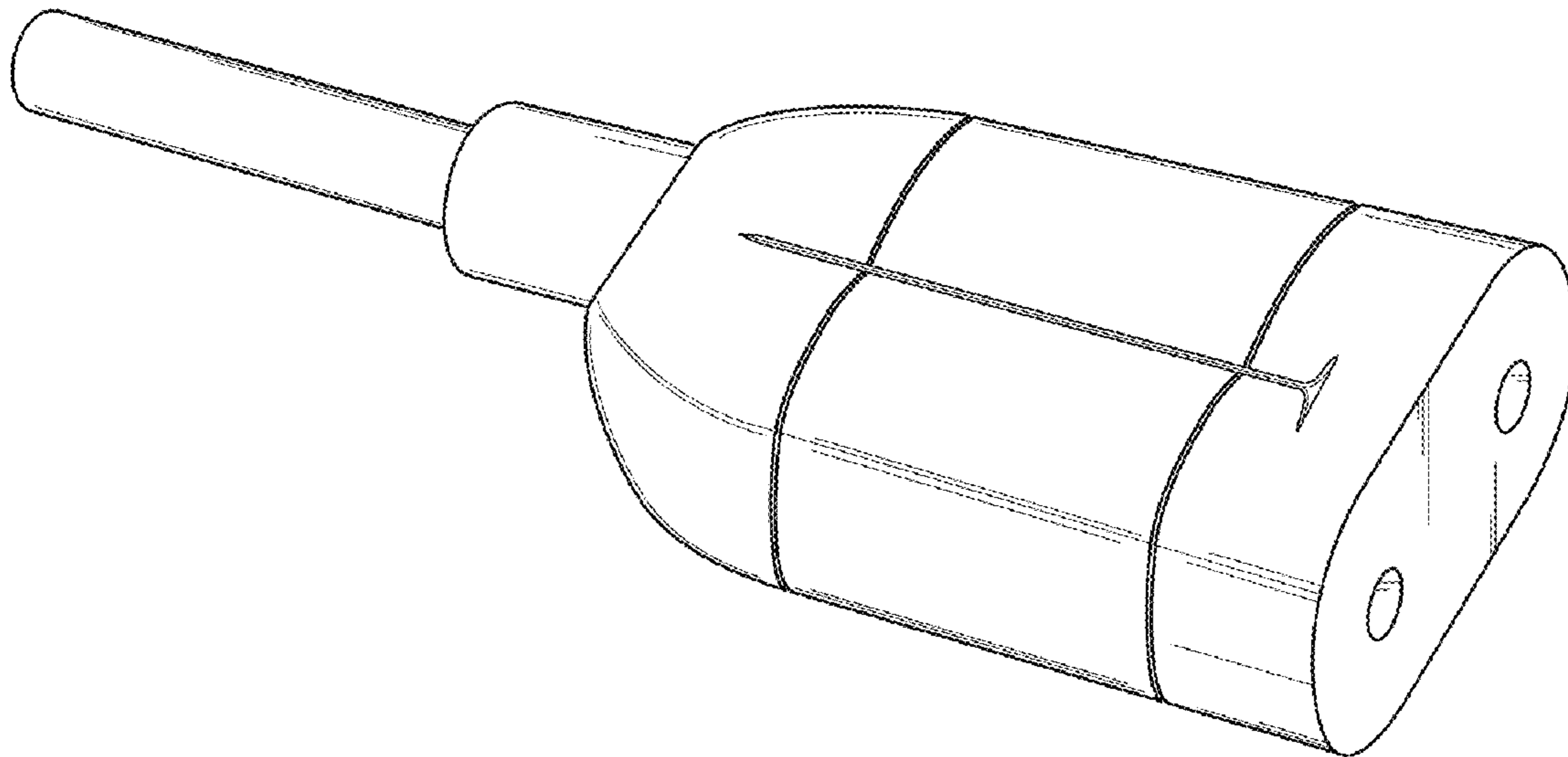
FIG. 1 is a top perspective view of a wearable microphone in accordance with the present design.  
 FIG. 2 is a top view for the wearable microphone in accordance with the present design.  
 FIG. 3 is a bottom view for the wearable microphone in accordance with the present design.  
 FIG. 4 is a right side view of the wearable microphone in accordance with the present design.  
 FIG. 5 is a left side view for the wearable microphone in accordance with the present design.  
 FIG. 6 is a front view for the wearable microphone in accordance with the present design; and,  
 FIG. 7 is a rear view for the wearable microphone in accordance with the present design.

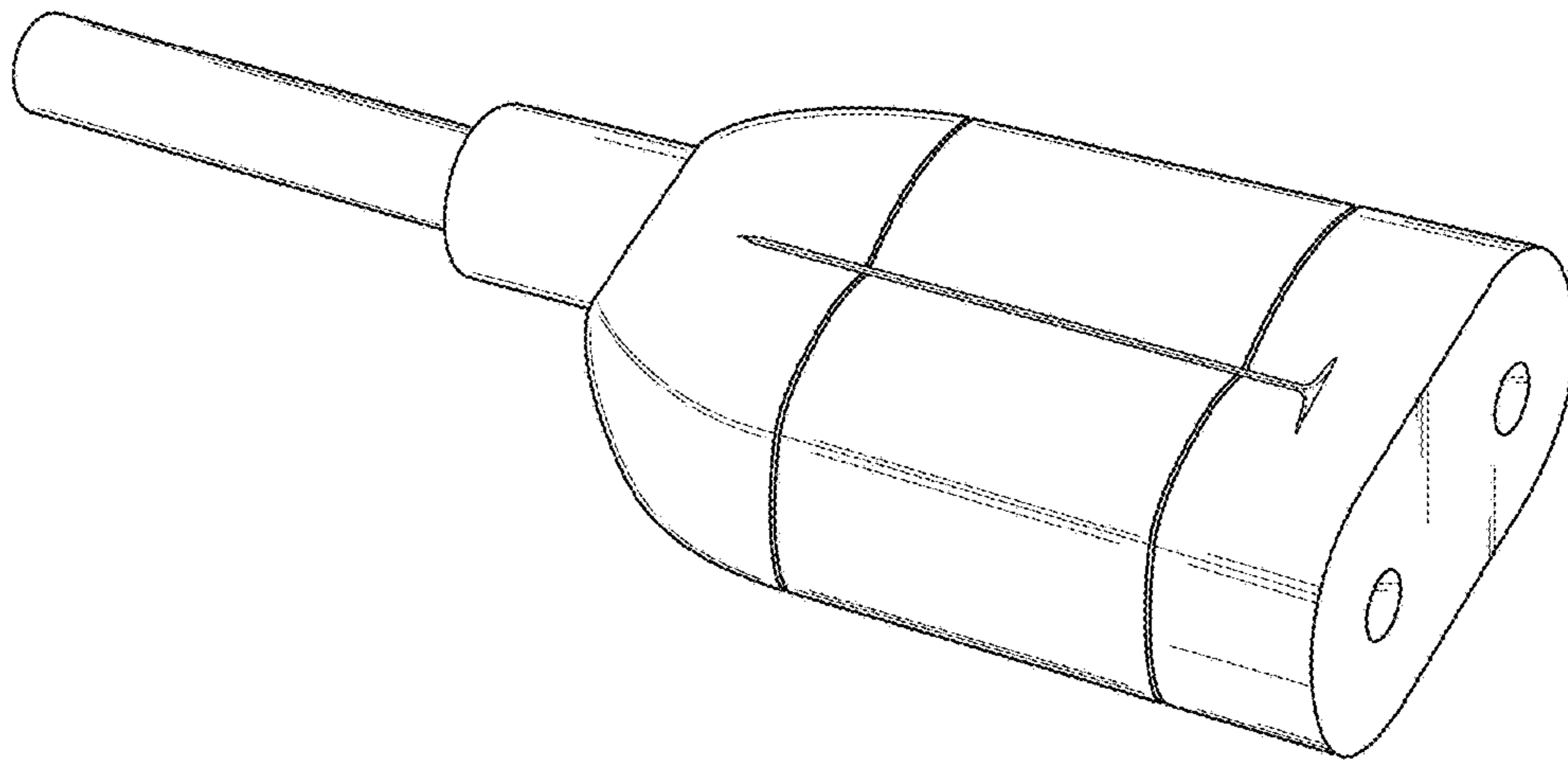
(56) **References Cited**

**U.S. PATENT DOCUMENTS**

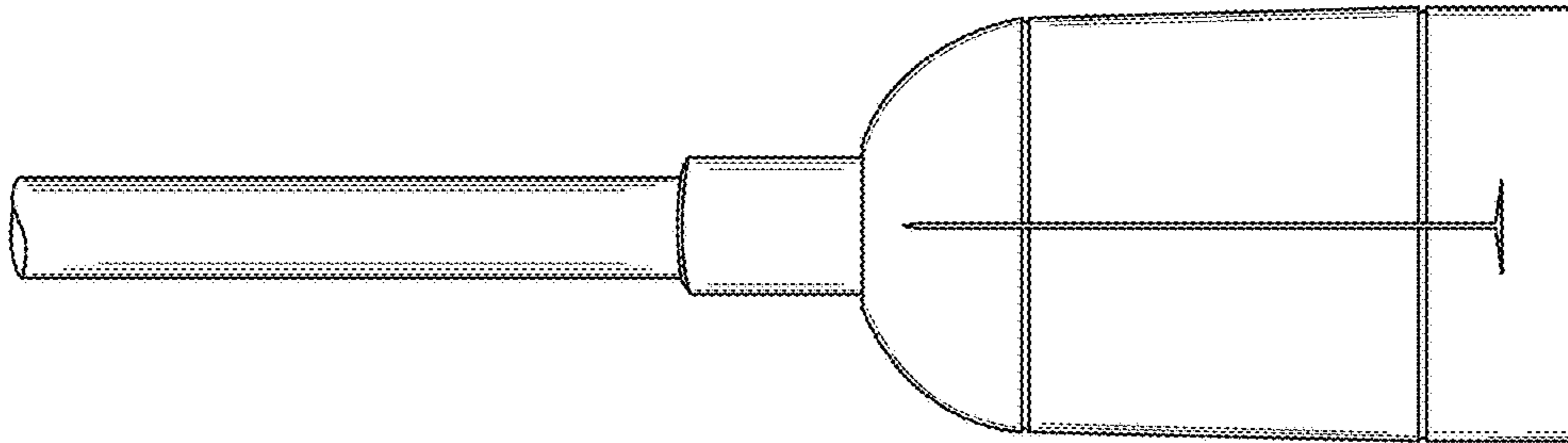
D252,024 S *	6/1979	Fujita	.....	D14/225
D280,323 S *	8/1985	Scheid	.....	D14/225

**1 Claim, 4 Drawing Sheets**

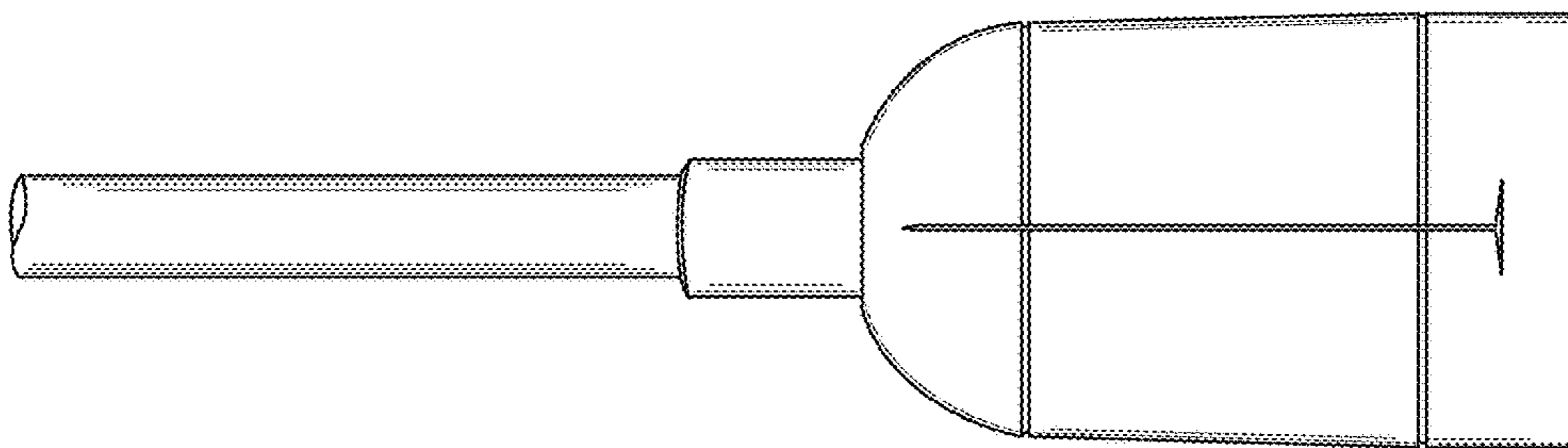




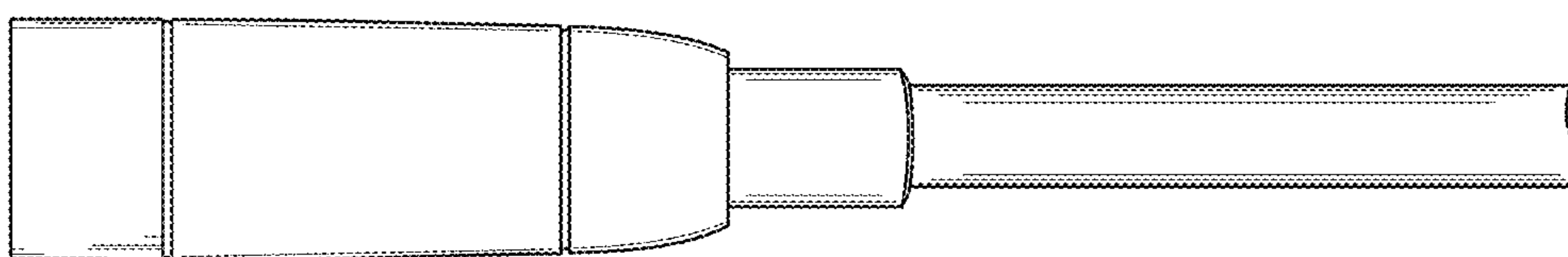
**FIG. 1**



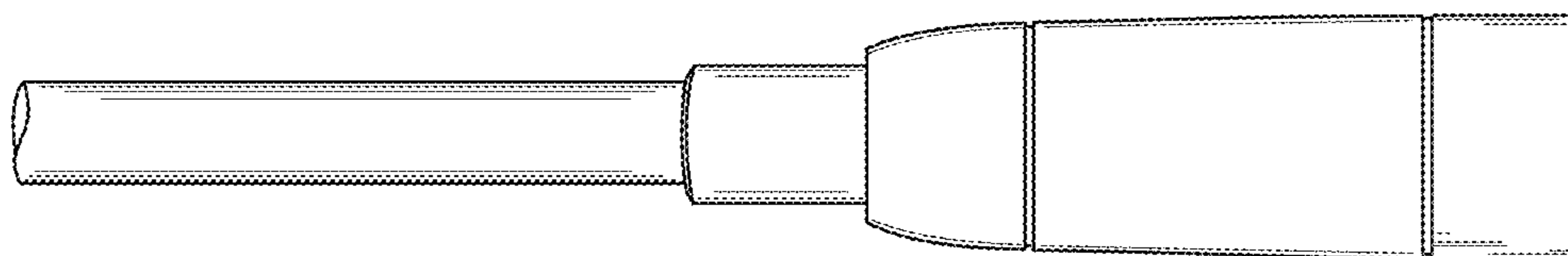
**FIG. 2**



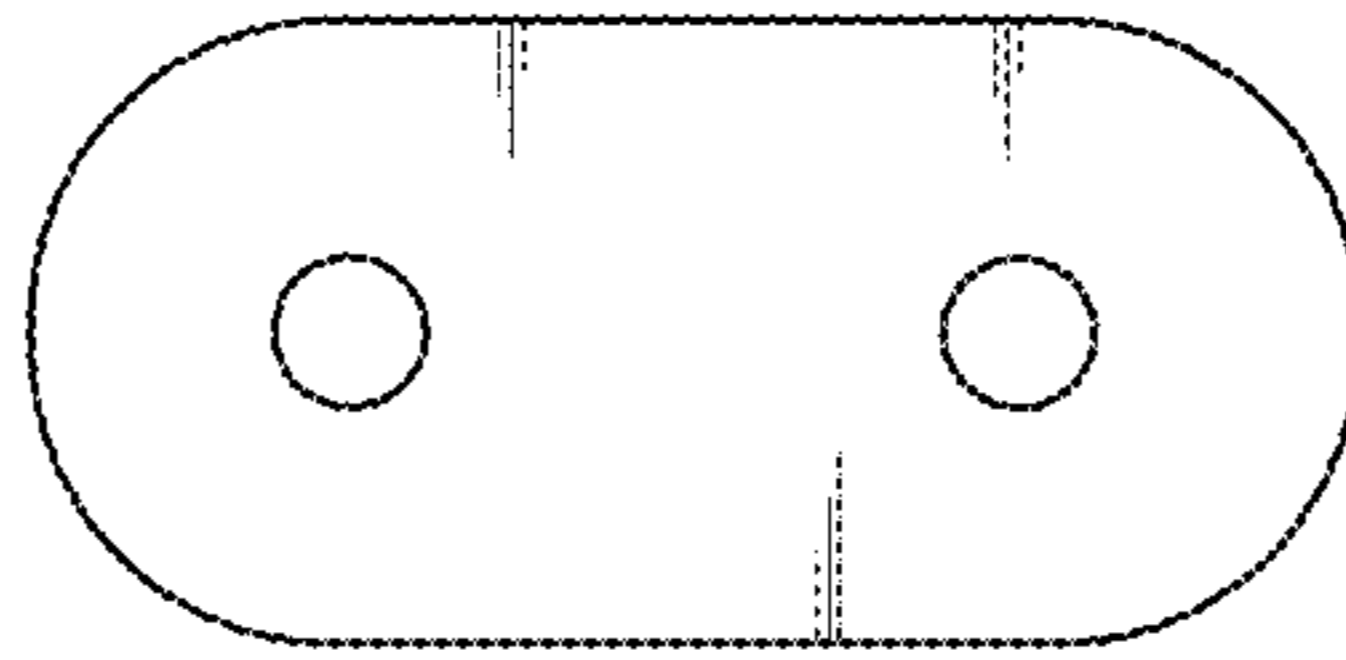
**FIG. 3**



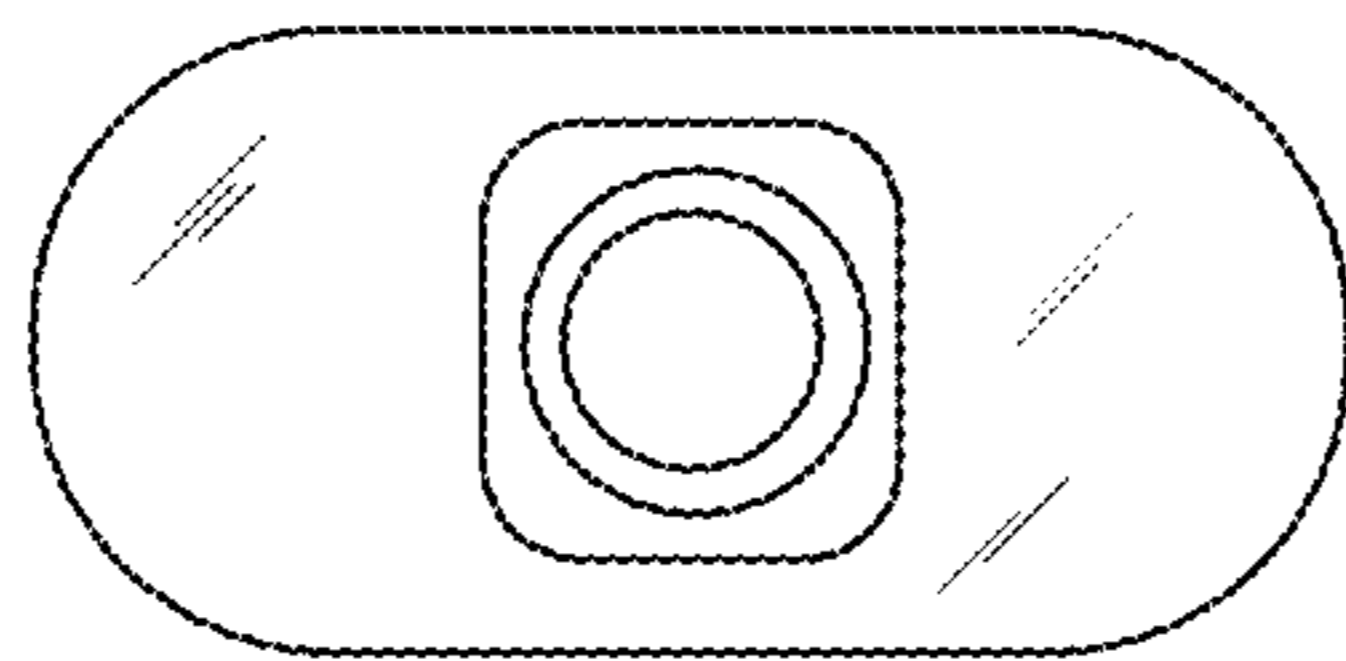
**FIG. 4**



**FIG. 5**



**FIG. 6**



**FIG. 7**