



US00D850421S

(12) **United States Design Patent**
Tong

(10) **Patent No.:** **US D850,421 S**

(45) **Date of Patent:** **** Jun. 4, 2019**

(54) **HEADPHONES STAND AND BASE STATION**

D772,601 S * 11/2016 Christie D6/526
D789,348 S * 6/2017 Kim D14/250
D802,328 S * 11/2017 Wortell D6/526

(71) Applicant: **RAZER (ASIA-PACIFIC) PTE. LTD.**,
Singapore (SG)

* cited by examiner

(72) Inventor: **Ien Yu Tong**, Johor (MY)

Primary Examiner — Katie Jane Stofko

(73) Assignee: **RAZER (ASIA-PACIFIC) PTE. LTD.**,
Singapore (SG)

(74) *Attorney, Agent, or Firm* — Polsinelli PC

(**) Term: **15 Years**

(57) **CLAIM**

I claim the ornamental design for a headphones stand and base station, as shown and described.

(21) Appl. No.: **29/606,060**

DESCRIPTION

(22) Filed: **Jun. 1, 2017**

(51) **LOC (11) Cl.** **14-01**

(52) **U.S. Cl.**
USPC **D14/224**

(58) **Field of Classification Search**
USPC D14/224–229; D16/244; D17/99;
D6/672, 681, 682; 248/125.1, 166, 185.1;
381/355, 359, 361–363, 365, 366, 369,
381/375; 379/428.01, 428.04, 431,
379/433.03

CPC . H04R 25/00; H04R 1/02; H04R 5/02; H04R
9/08; F16M 11/38; F16M 13/00; F16M
11/00

See application file for complete search history.

FIG. 1 is a perspective view of a first embodiment of a headphones stand and base station, showing my new design; FIG. 2 is a front elevational view thereof; FIG. 3 is a rear elevational view thereof; FIG. 4 is a left side elevational view thereof; FIG. 5 is a right side elevational view thereof; FIG. 6 is a top plan view thereof; FIG. 7 is a bottom plan view thereof; FIG. 8 is an exploded view thereof, showing the headphones stand exploded from the base station; and FIG. 9 is a perspective view thereof, shown in an environment of use; FIG. 10 is a perspective view of a second embodiment of a headphones stand and base station; FIG. 11 is a front elevational view thereof; FIG. 12 is a rear elevational view thereof; FIG. 13 is a left side elevational view thereof; FIG. 14 is a right side elevational view thereof; FIG. 15 is a top plan view thereof; and, FIG. 16 is a bottom plan view thereof.

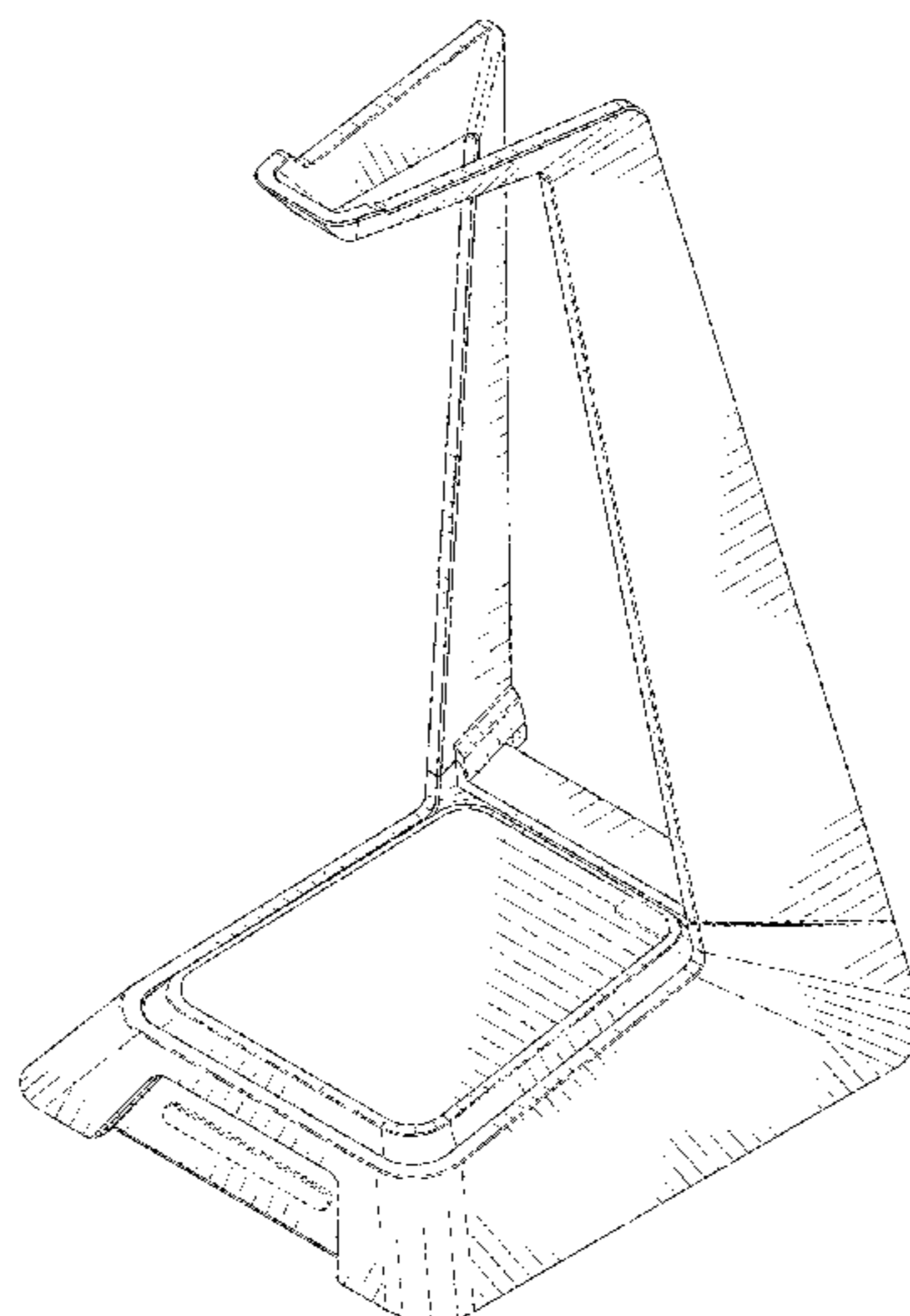
The broken lines illustrating headphones in FIG. 9 are environment that form no part of the claimed design, while the remaining broken lines shown in FIGS. 1-16 illustrate portions of the headphones stand and base station that form no part of the claimed design.

(56) **References Cited**

U.S. PATENT DOCUMENTS

D576,436 S * 9/2008 Provost D6/526
D628,001 S * 11/2010 McGarry D6/534
D632,110 S * 2/2011 Cooper D6/526
D635,384 S * 4/2011 Yoon D6/526
D677,503 S * 3/2013 Floyd D6/526
D690,137 S * 9/2013 Kikkert D6/672
D690,969 S * 10/2013 Wilson D6/682.5
D720,154 S * 12/2014 Provost D6/526
D730,914 S * 6/2015 Park D14/447
D737,606 S * 9/2015 King D6/682

1 Claim, 16 Drawing Sheets



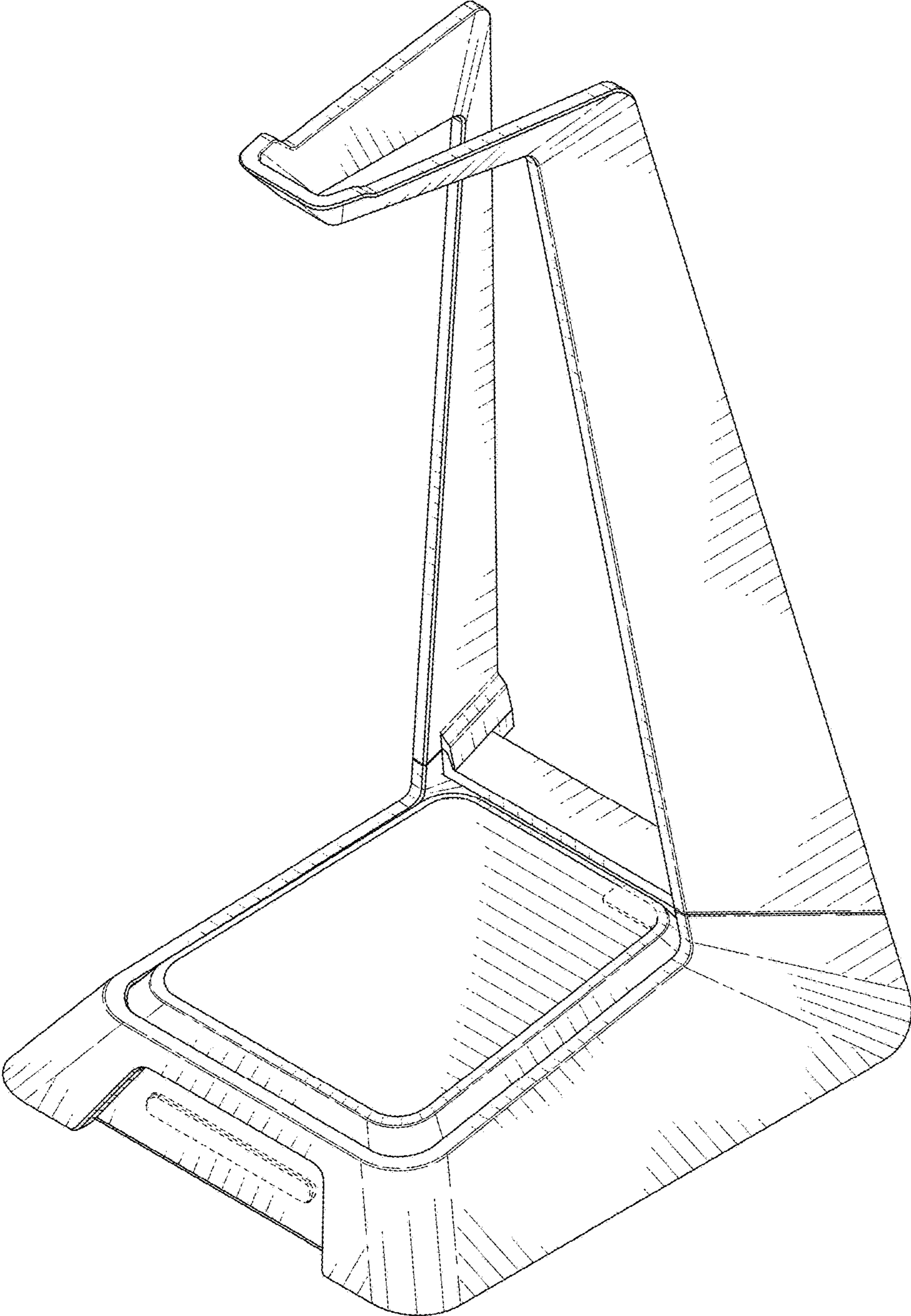


FIG. 1

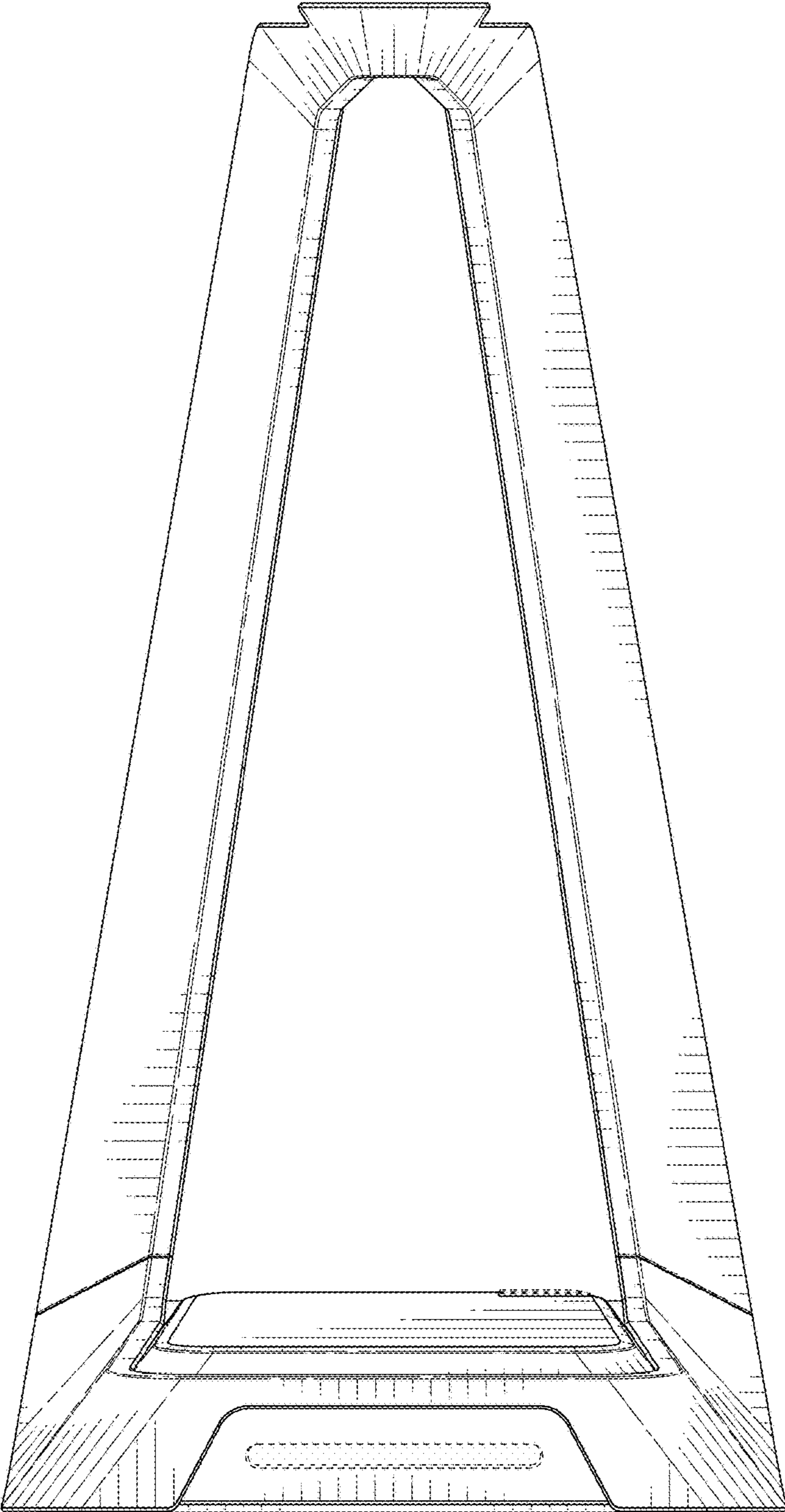


FIG. 2

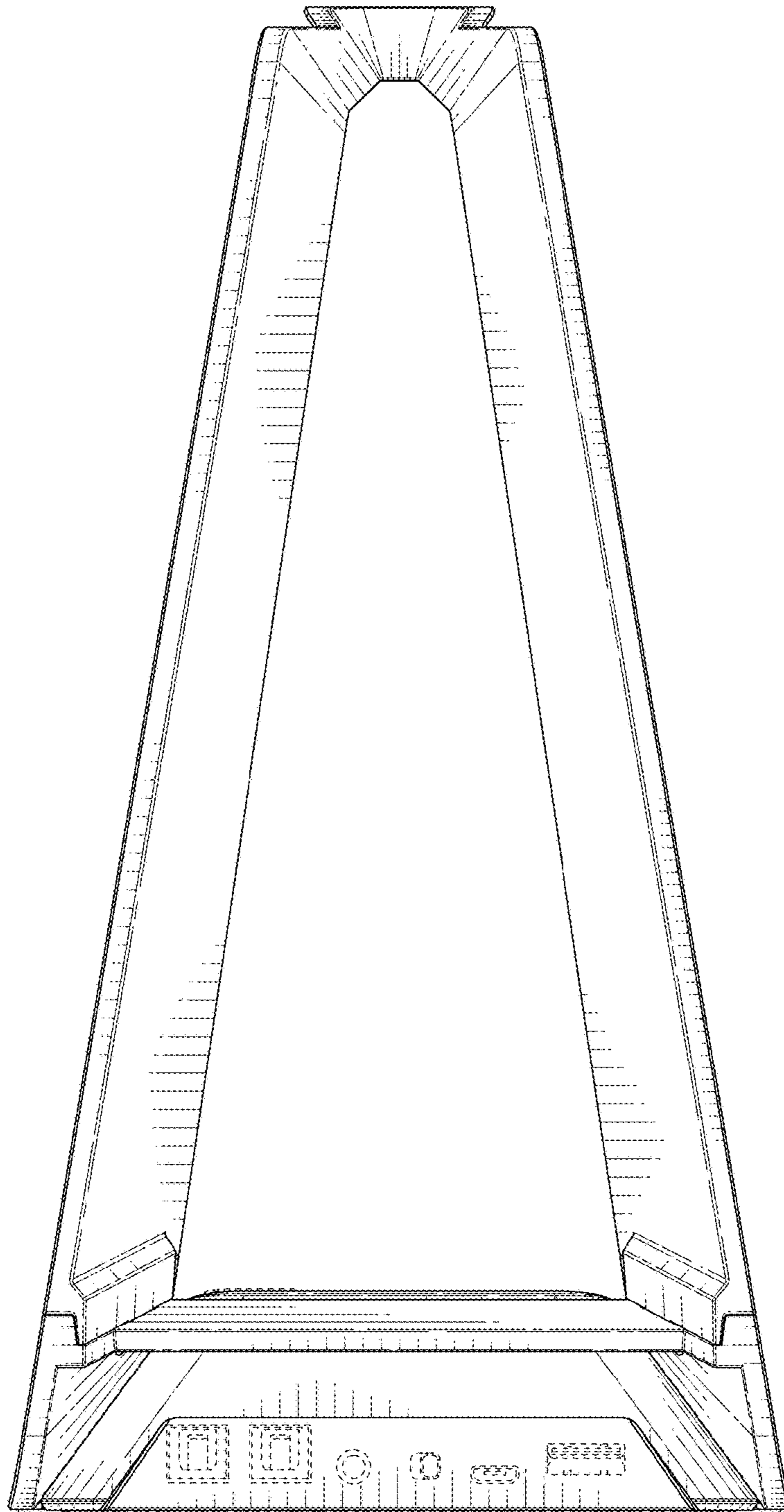


FIG. 3

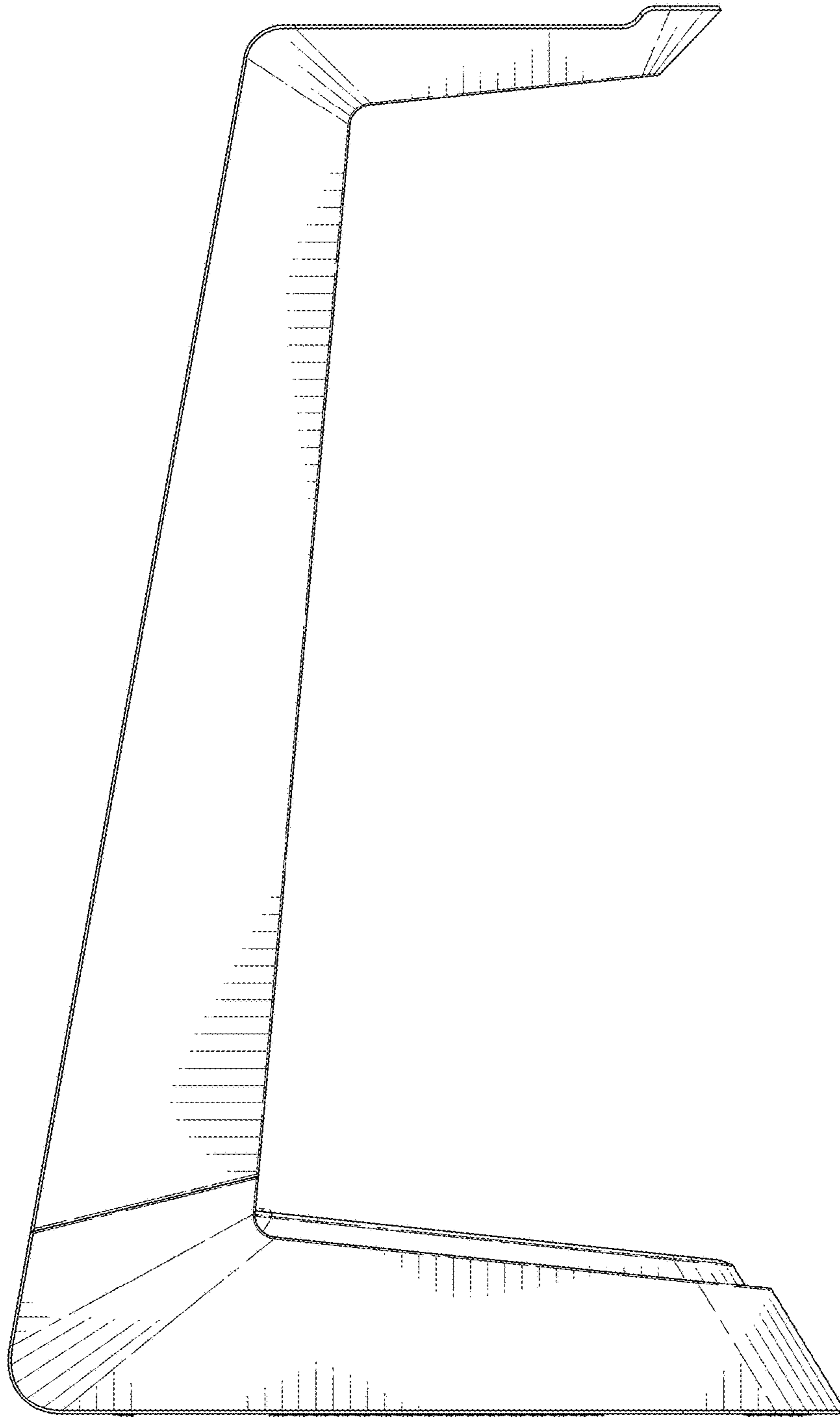


FIG. 4

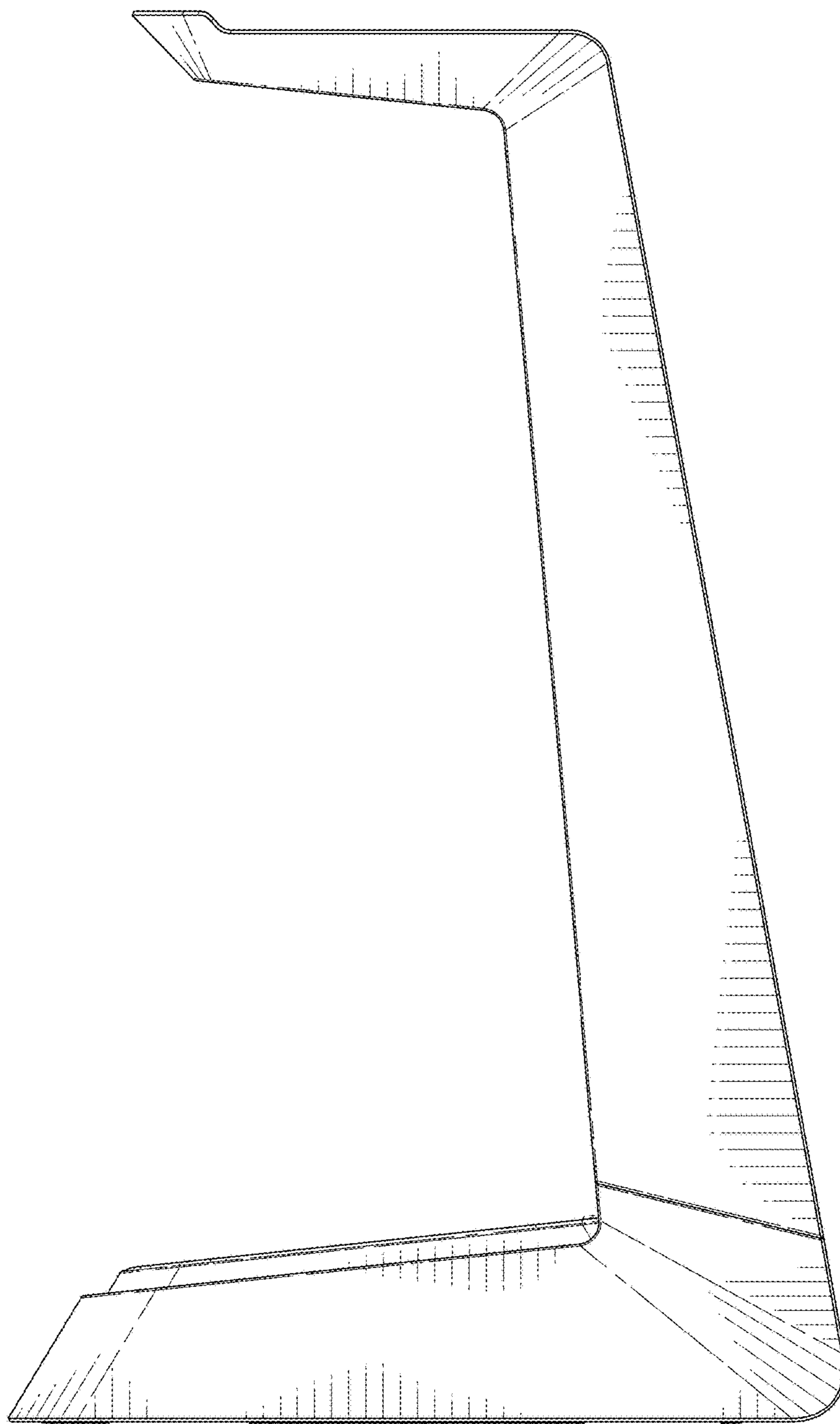


FIG. 5

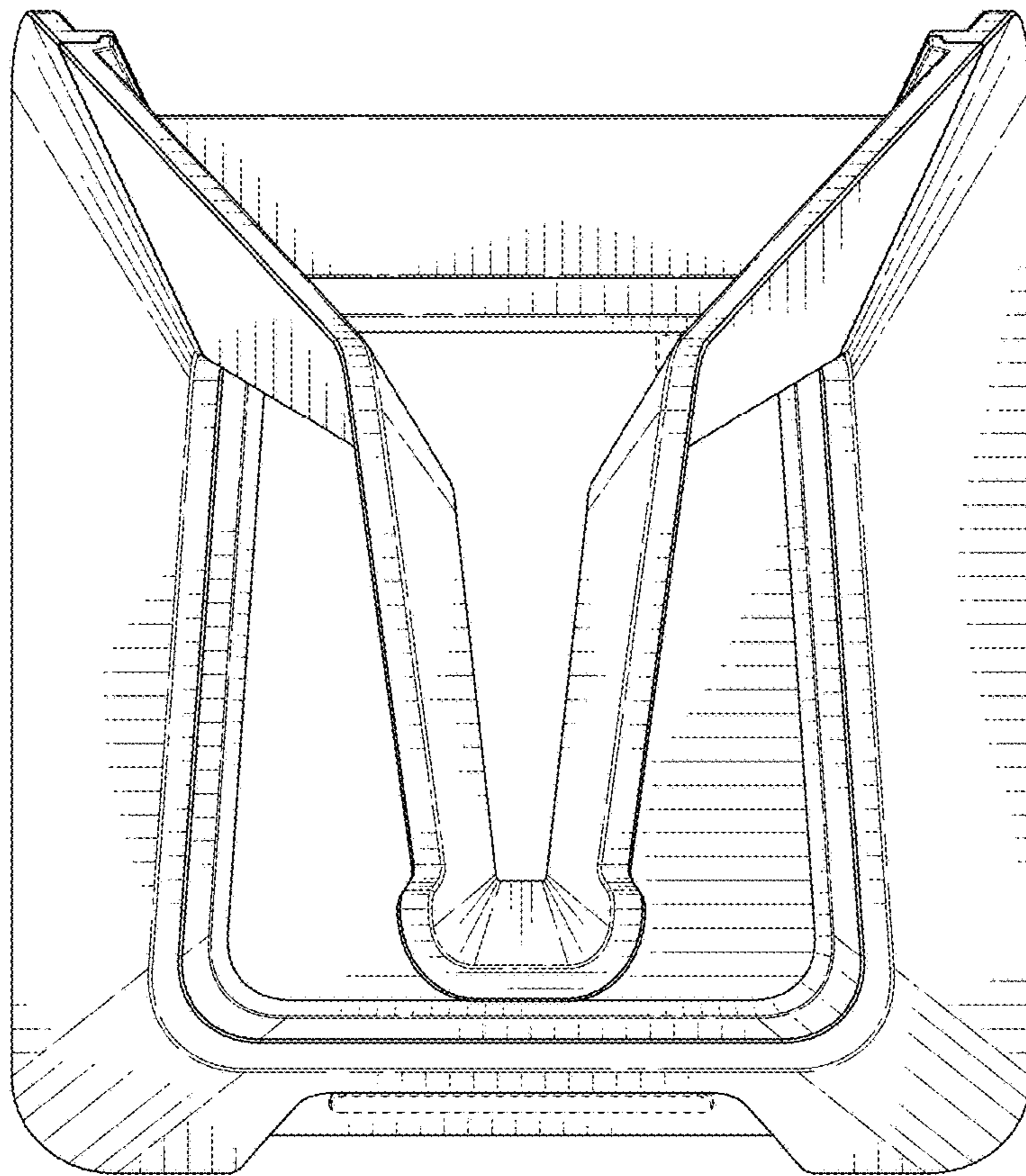


FIG. 6

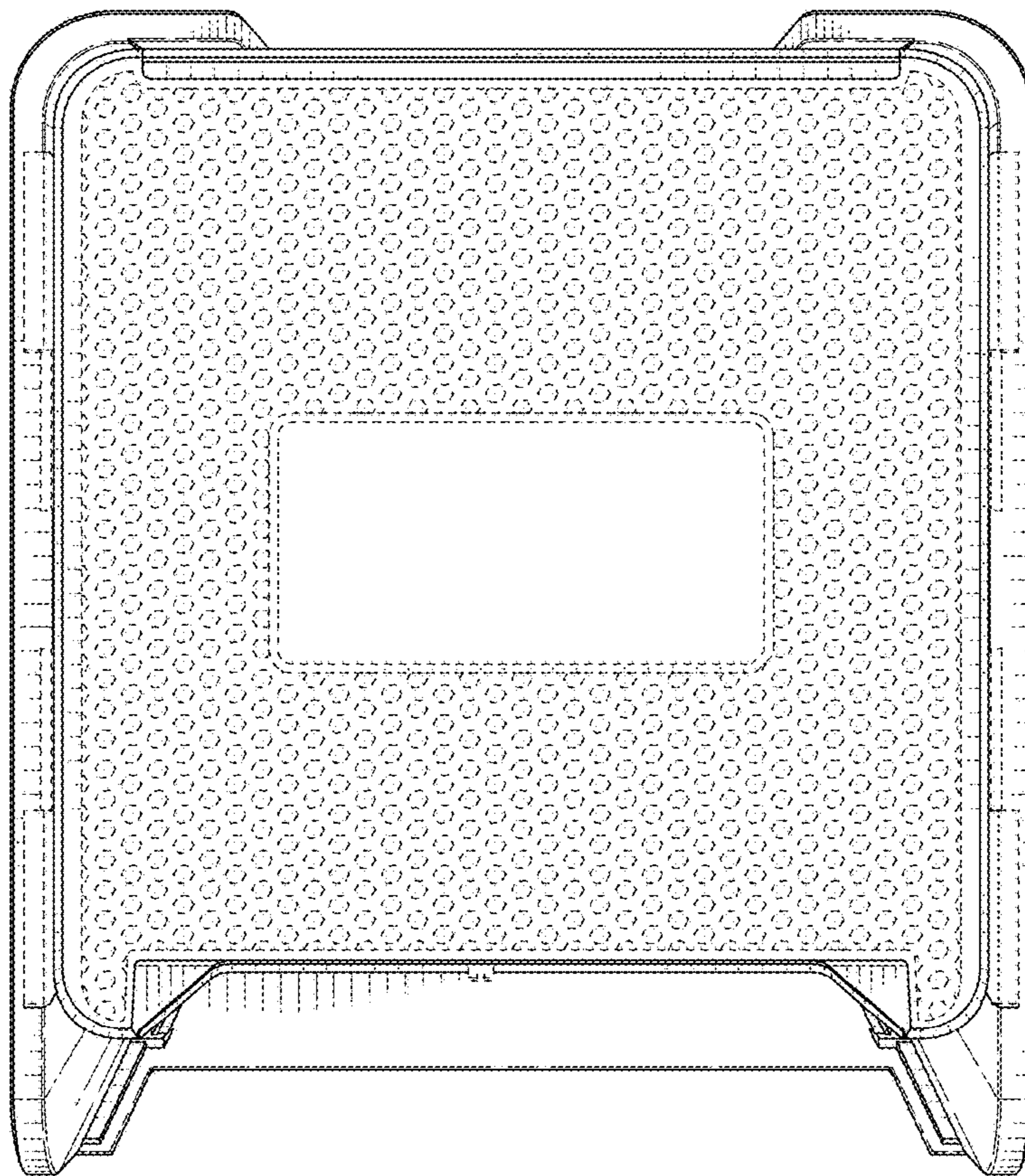


FIG. 7

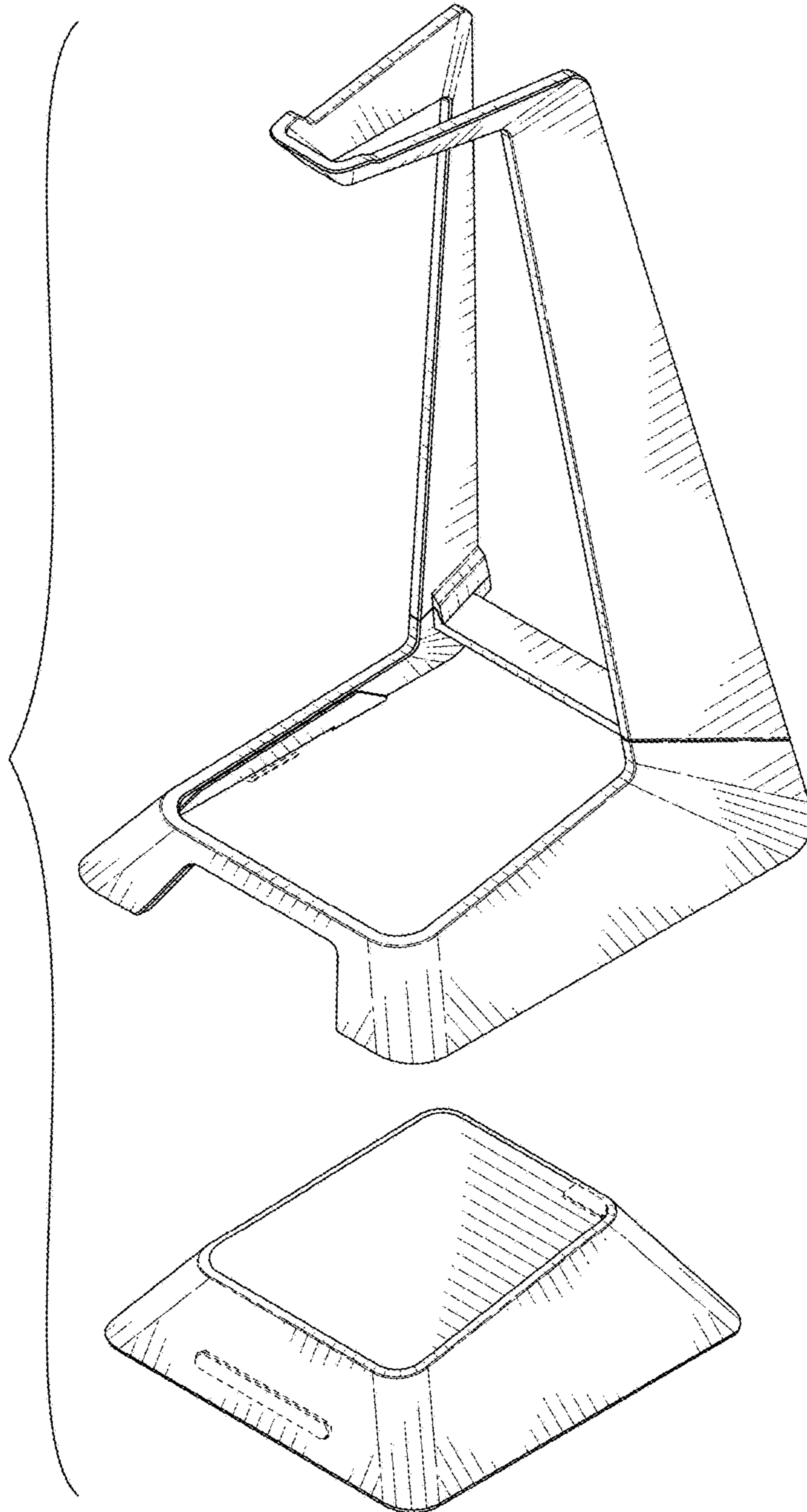


FIG. 8

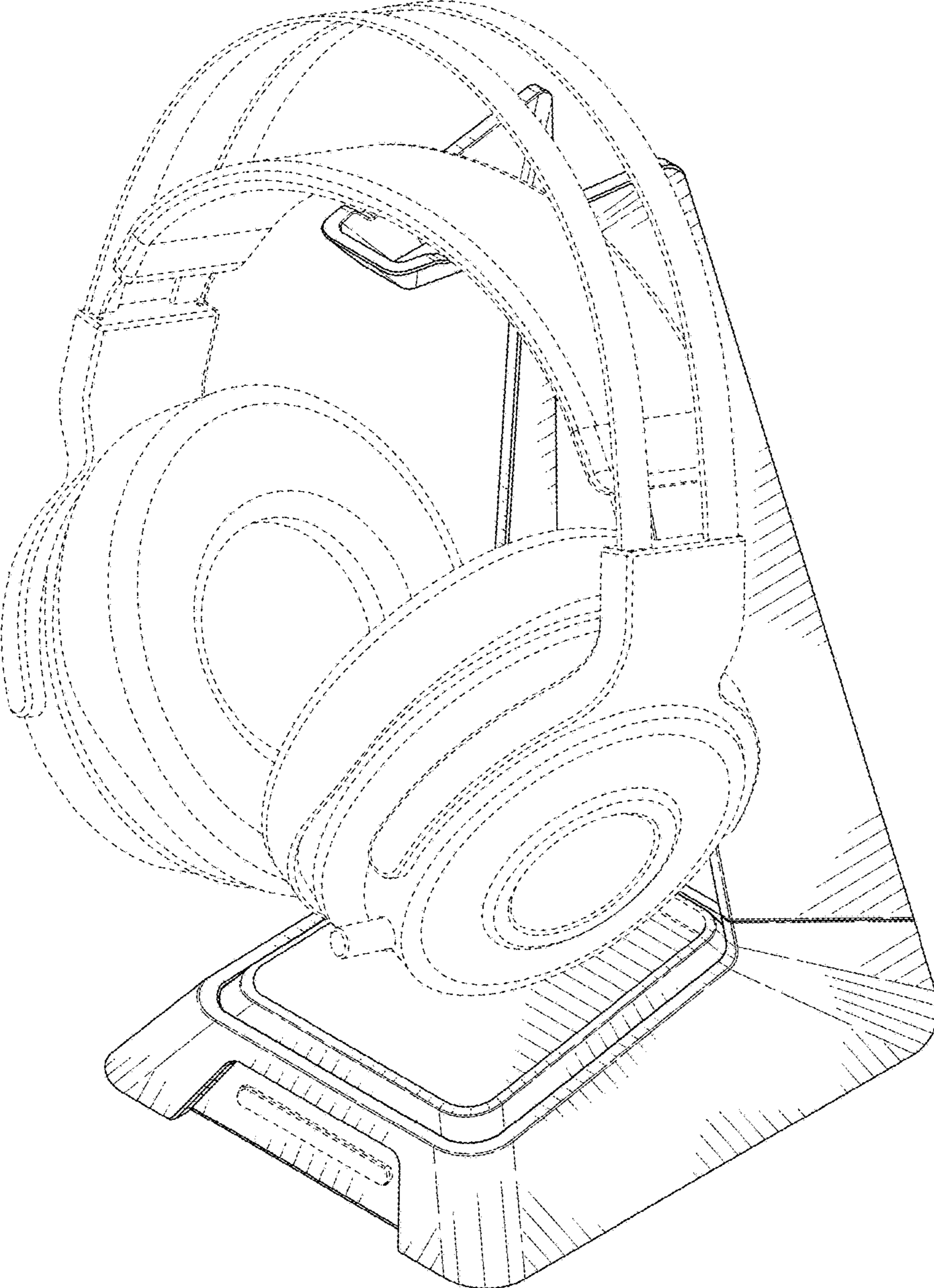


FIG. 9

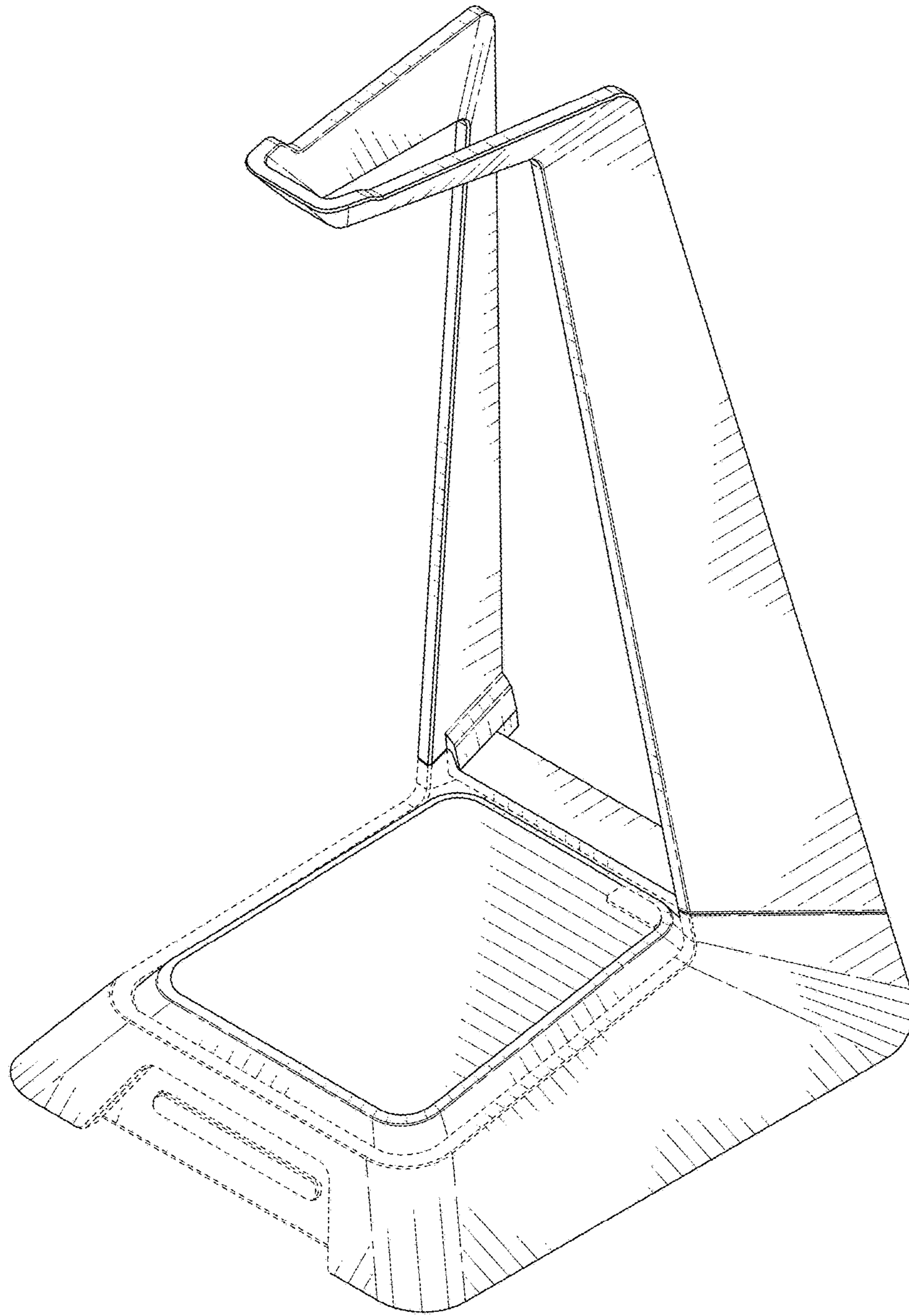


FIG. 10

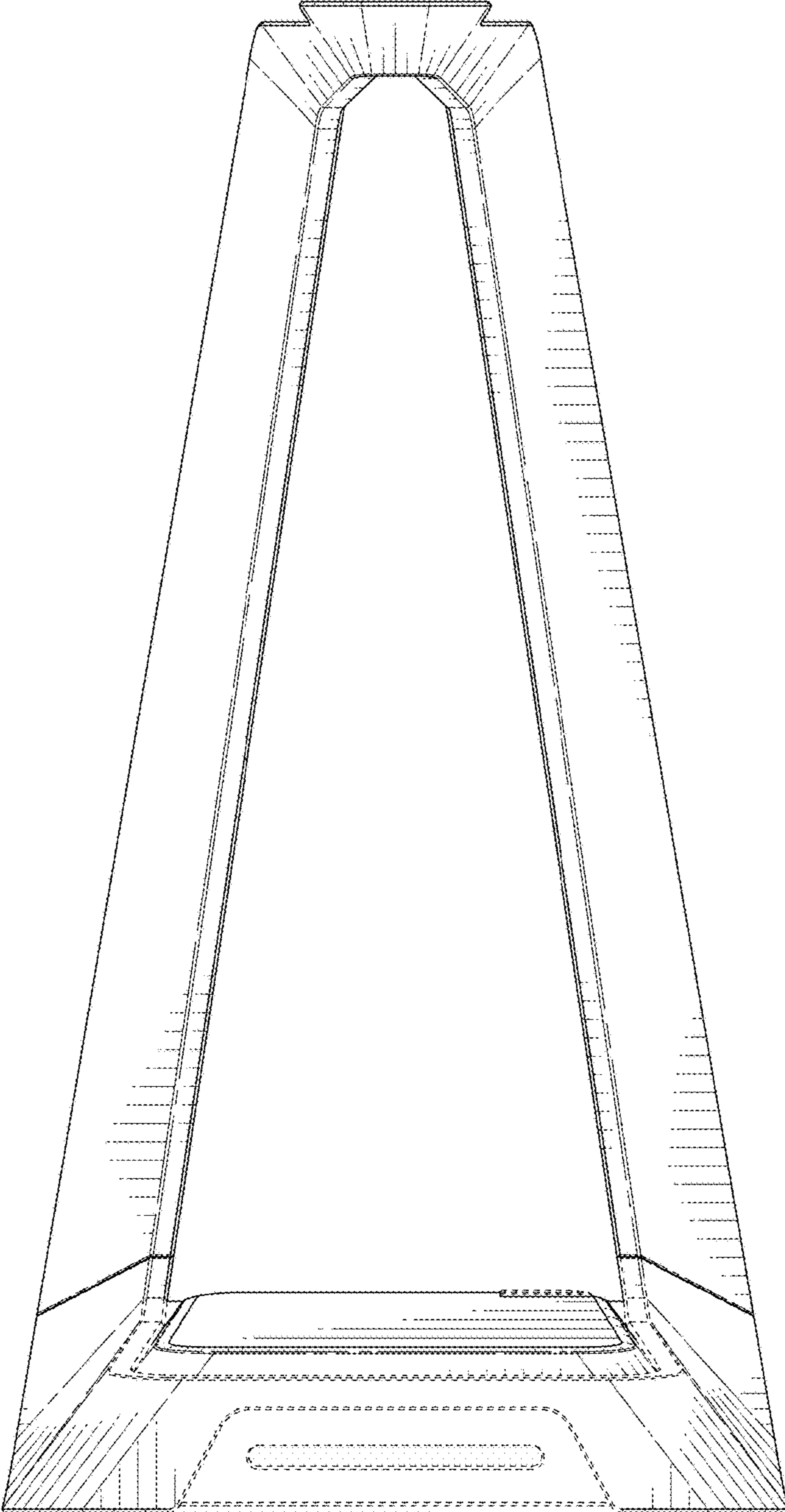


FIG. 11

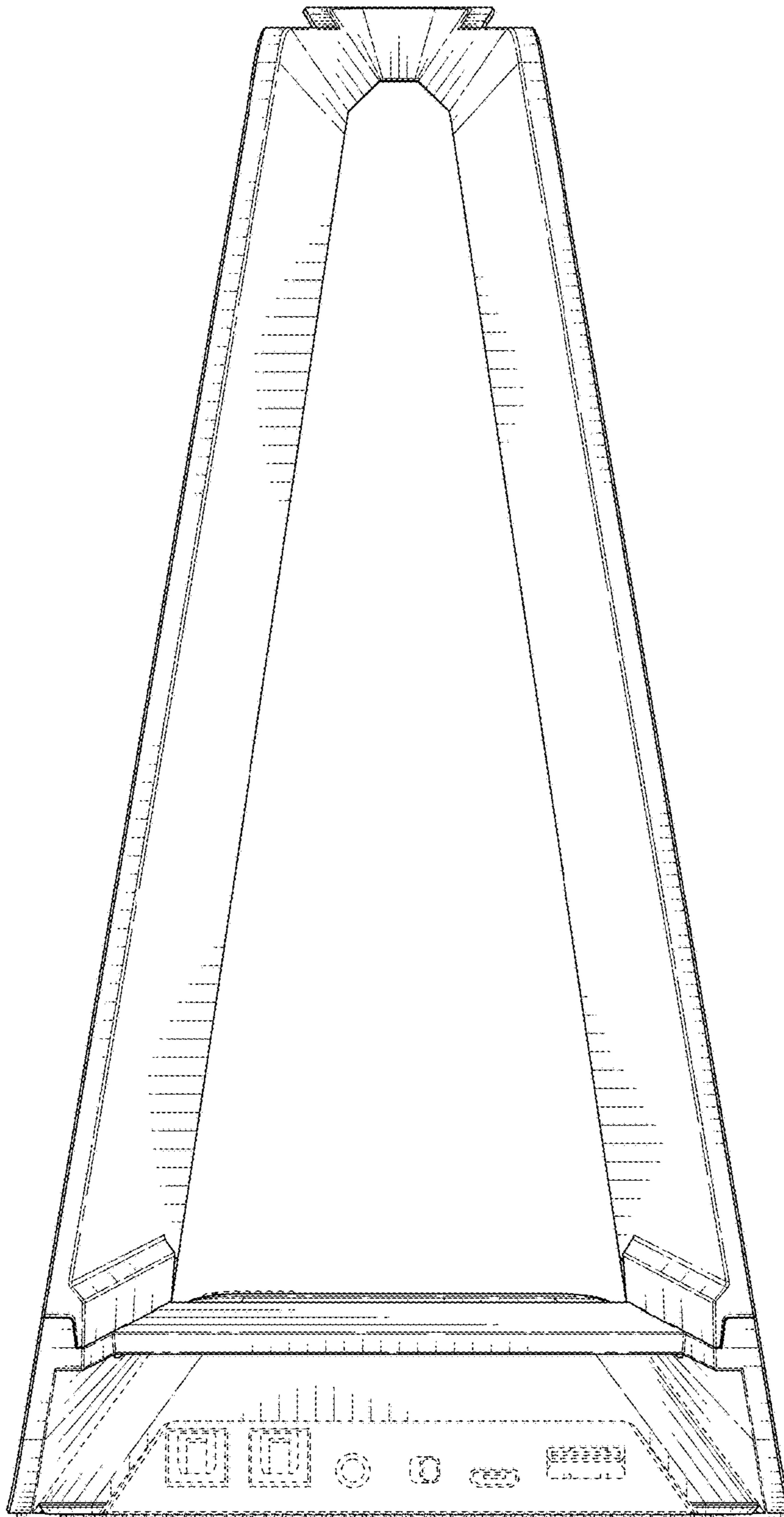


FIG. 12



FIG. 13

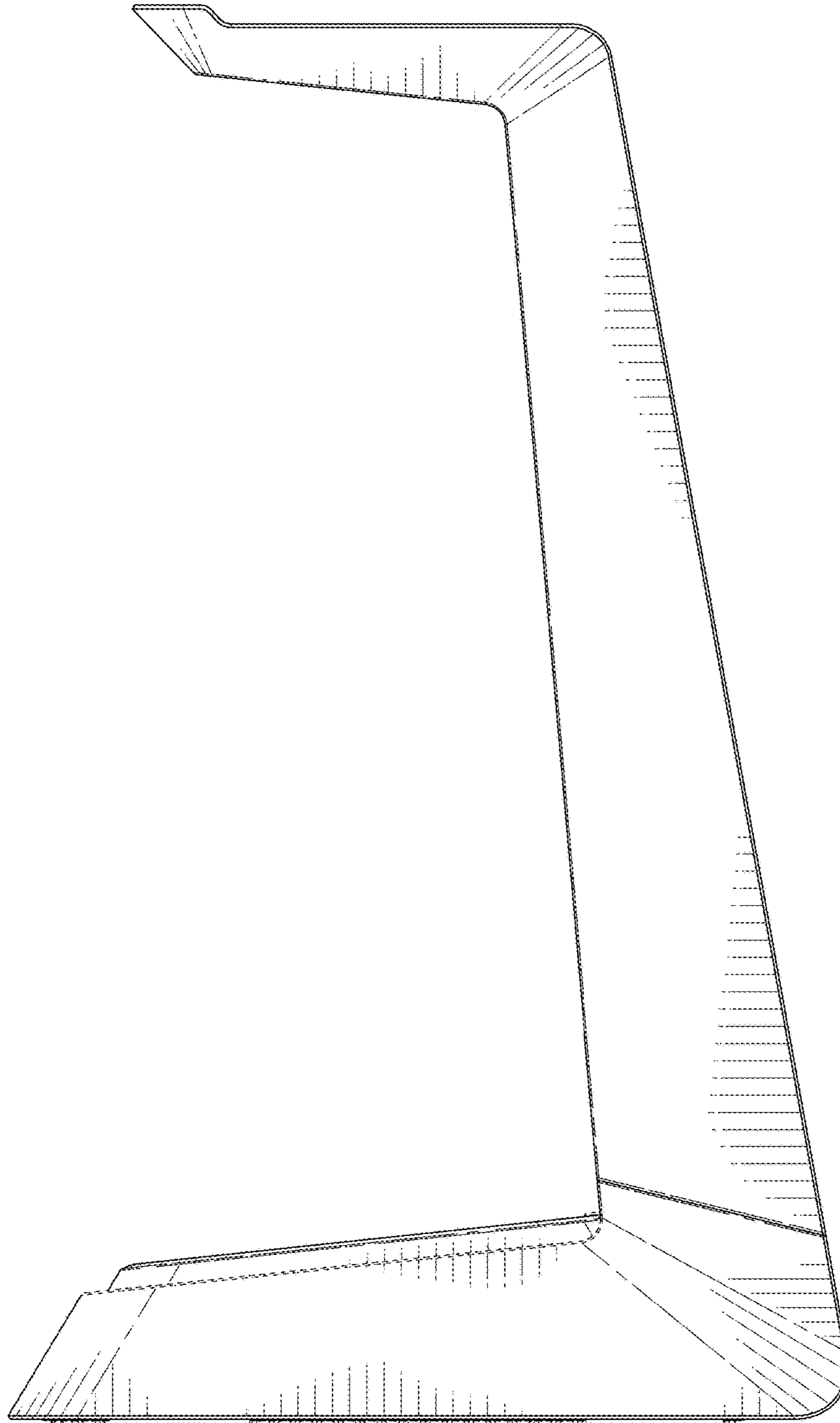


FIG. 14

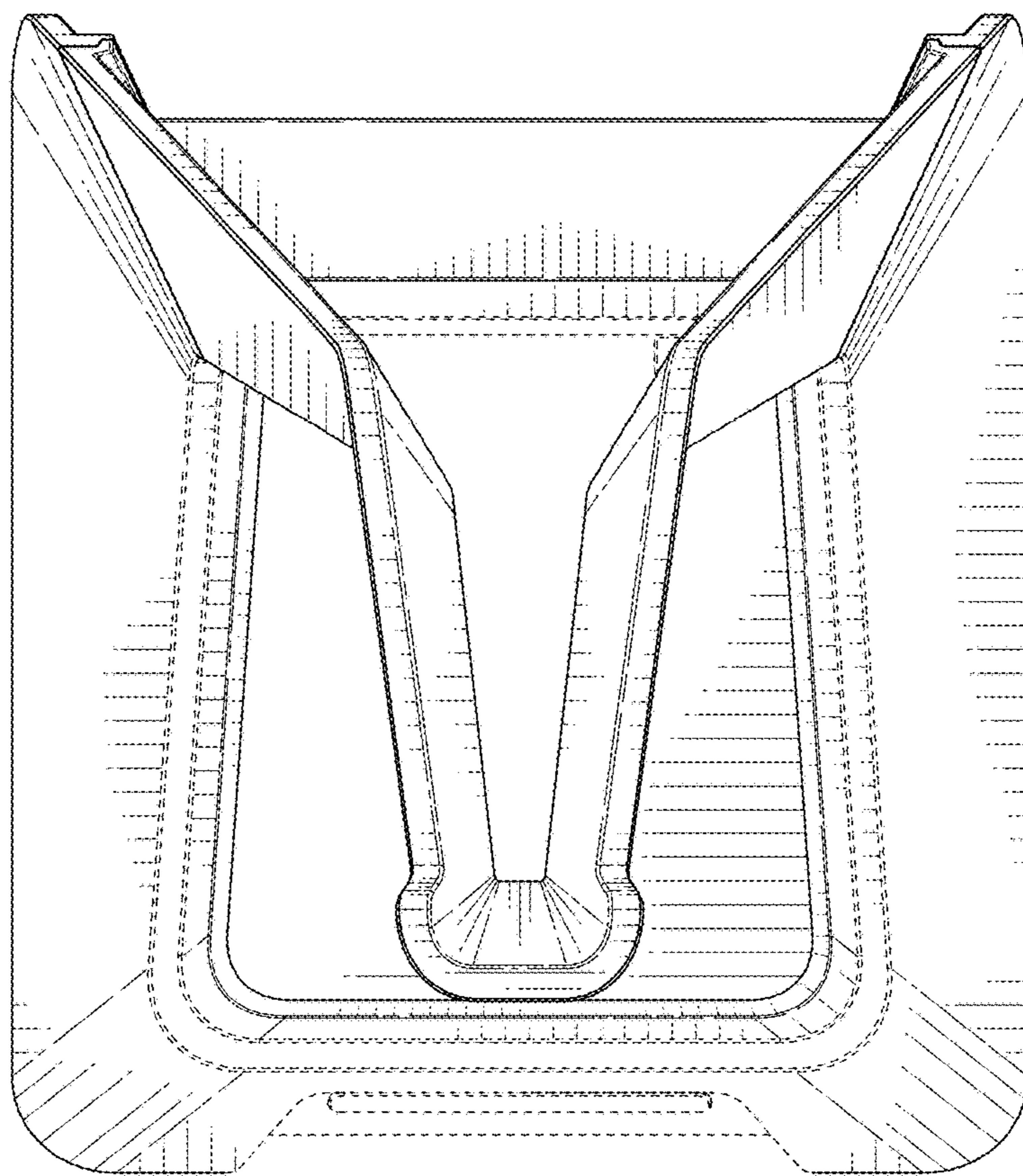


FIG. 15

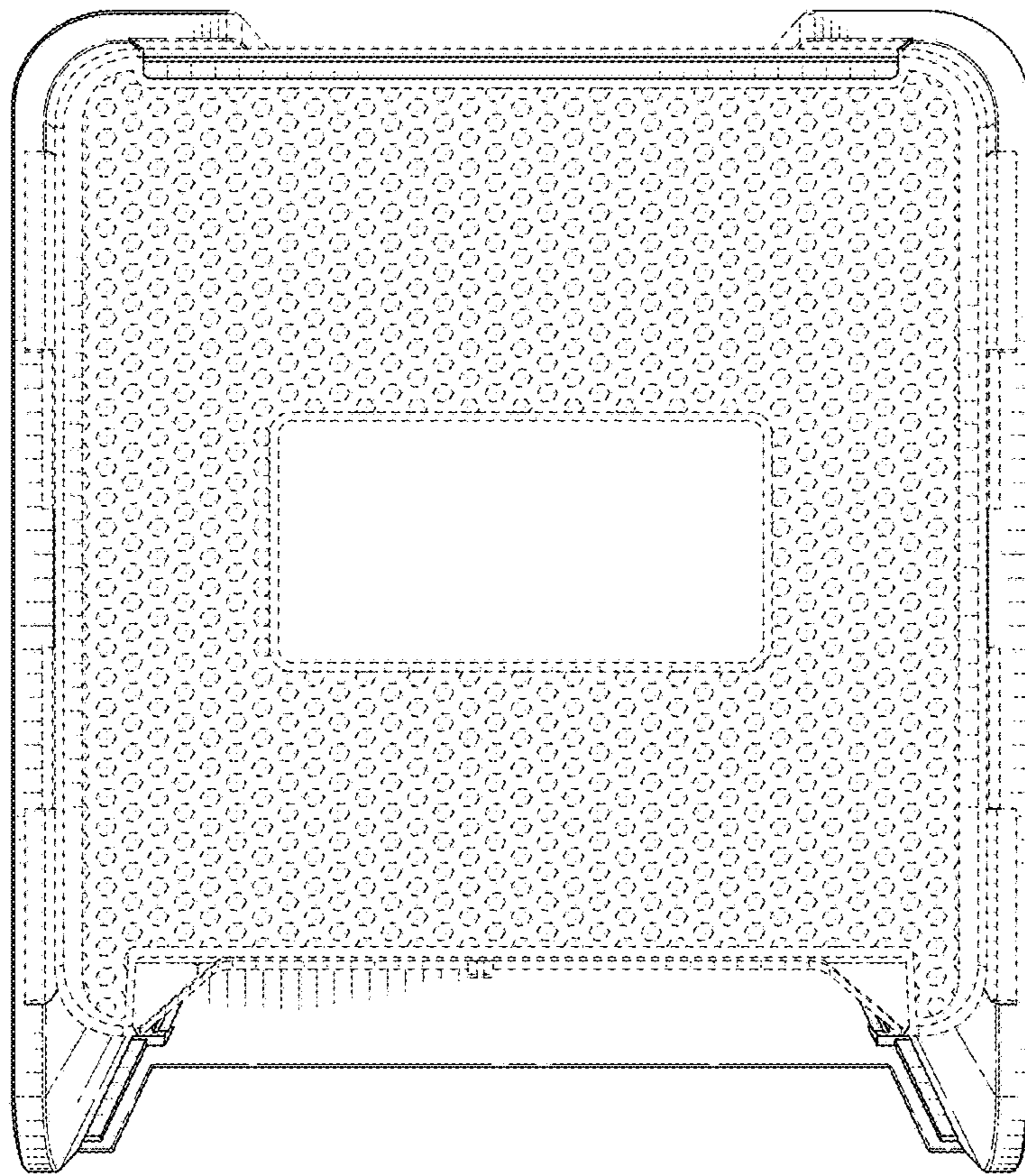


FIG. 16