



US00D850420S

(12) **United States Design Patent**
Koskinen et al.

(10) **Patent No.:** **US D850,420 S**
(45) **Date of Patent:** **** Jun. 4, 2019**

(54) **LOUDSPEAKER BASE**

2499/11; H04R 2499/13; H04R 2499/15;
H04S 3/00; H04S 7/30

(71) Applicant: **Genelec Oy**, Iisalmi (FI)

See application file for complete search history.

(72) Inventors: **Harri Koskinen**, Iisalmi (FI); **Iipo Martikainen**, Iisalmi (FI); **Jussi Väisänen**, Iisalmi (FI); **Jaakko Nisula**, Iisalmi (FI)

(56) **References Cited**

U.S. PATENT DOCUMENTS

D245,248 S	*	8/1977	Brown, Jr.	H04R 1/02 D14/224
D260,639 S		9/1981	Long	
D261,708 S		11/1981	Ligrano	
D364,871 S	*	12/1995	Esslinger	D14/211
D409,616 S	*	5/1999	Goto	D14/211
D521,494 S		5/2006	Koskinen et al.	
D583,802 S		12/2008	Pincek et al.	

(Continued)

(73) Assignee: **Genelec Oy**, Iisalmi (FI)

(**) Term: **15 Years**

(21) Appl. No.: **29/567,263**

(22) Filed: **Jun. 7, 2016**

Related U.S. Application Data

(62) Division of application No. 29/522,889, filed on Apr. 3, 2015, now Pat. No. Des. 794,605.

Primary Examiner — Keli L Hill

(74) *Attorney, Agent, or Firm* — Walter | Haverfield LLP; Sean F. Mellino; D. Peter Hochberg

(30) **Foreign Application Priority Data**

Oct. 6, 2014 (EM) 002551838

(51) **LOC (11) Cl.** **14-03**

(52) **U.S. Cl.**
USPC **D14/224**

(58) **Field of Classification Search**
USPC D14/167, 168, 170–172, 188, 194–196, D14/204, 207, 209.1, 210–216, 219, 221, D14/222, 224, 239, 496; 181/143, 144, 181/147, 148, 150, 153, 157, 198, 199; 381/300–303, 306, 332, 333, 336, 345, 381/361–364, 386–388; 369/6–12
CPC B60R 11/0217; G06F 1/1688; H04M 1/03; H04M 1/035; H04R 1/02; H04R 1/06; H04R 1/021; H04R 1/025; H04R 1/026; H04R 1/028; H04R 1/105; H04R 1/323; H04R 1/403; H04R 1/2803; H04R 1/2834; H04R 5/02; H04R 7/20; H04R 9/06; H04R 9/025; H04R 2201/021; H04R 2400/00; H04R 2400/07; H04R

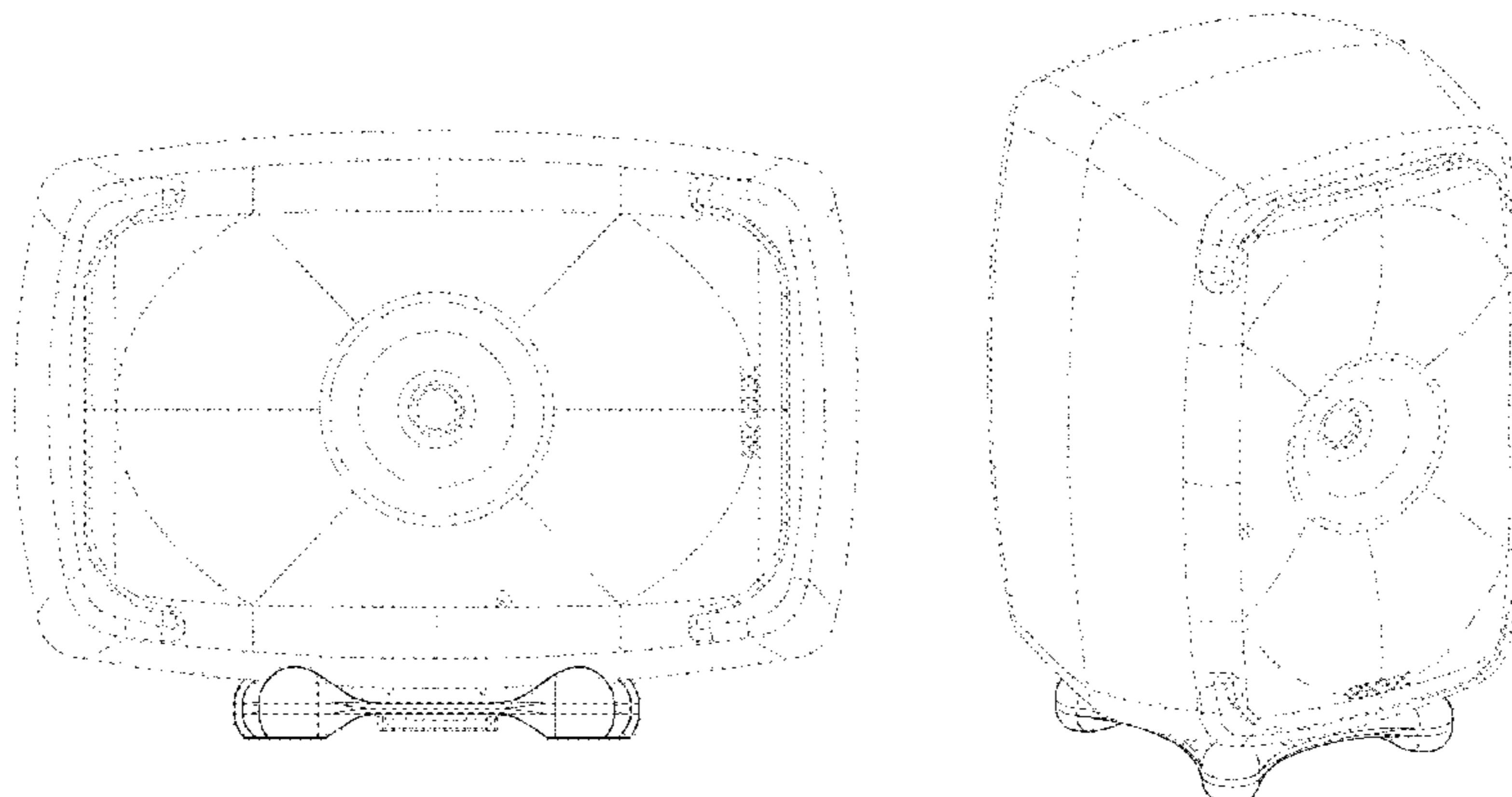
(57) **CLAIM**

The ornamental design for a loudspeaker base, as shown and described.

DESCRIPTION

FIG. 1 is a perspective view of a loudspeaker base employing our new design, shown in use;
FIG. 2 is a front elevation view thereof;
FIG. 3 is another perspective view thereof, shown in an alternate use position;
FIG. 4 is a front elevation view of FIG. 3; and,
FIG. 5 is a side elevation view of FIG. 3, the opposite side view being a mirror image thereto.
The broken line showing of loudspeaker is included for the purpose of illustrating environment of the loudspeaker base and forms no part of the claimed design. All other broken lines shown are included for the purpose of illustrating portions of the loudspeaker base that form no part of the claim.

1 Claim, 5 Drawing Sheets



(56)

References Cited

U.S. PATENT DOCUMENTS

D628,558 S	12/2010	Vercelli et al.	
D655,691 S	3/2012	Stewart, Jr. et al.	
D682,250 S	5/2013	Mattioli	
D687,412 S	8/2013	Davies et al.	
D708,165 S *	7/2014	Woo	H04R 1/02 D14/209.1
D727,875 S *	4/2015	Park	D14/214
D733,680 S	7/2015	Nugent	
D748,604 S	2/2016	Hartmann	
D775,103 S *	12/2016	Elder	D14/204

* cited by examiner

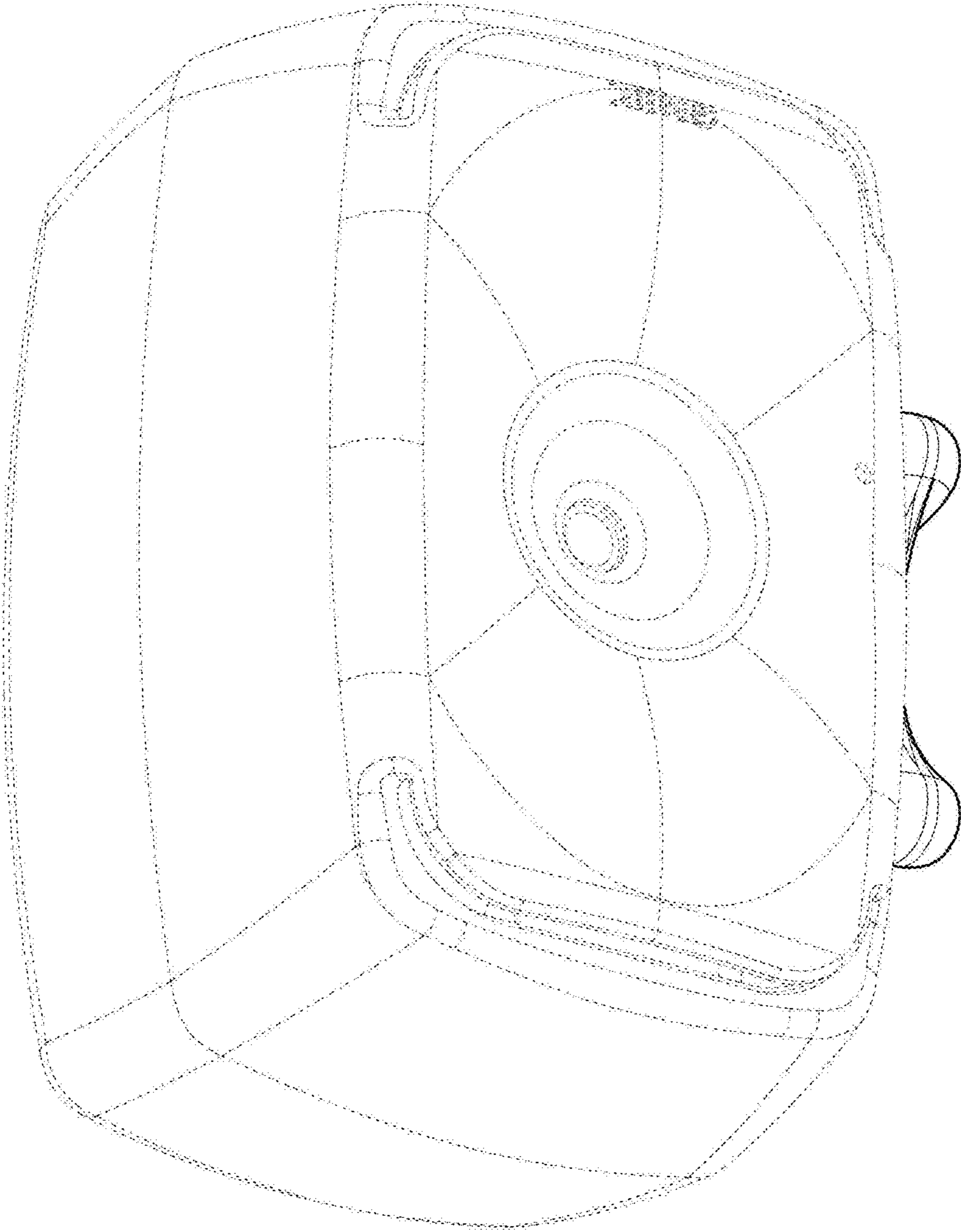


FIG. 1

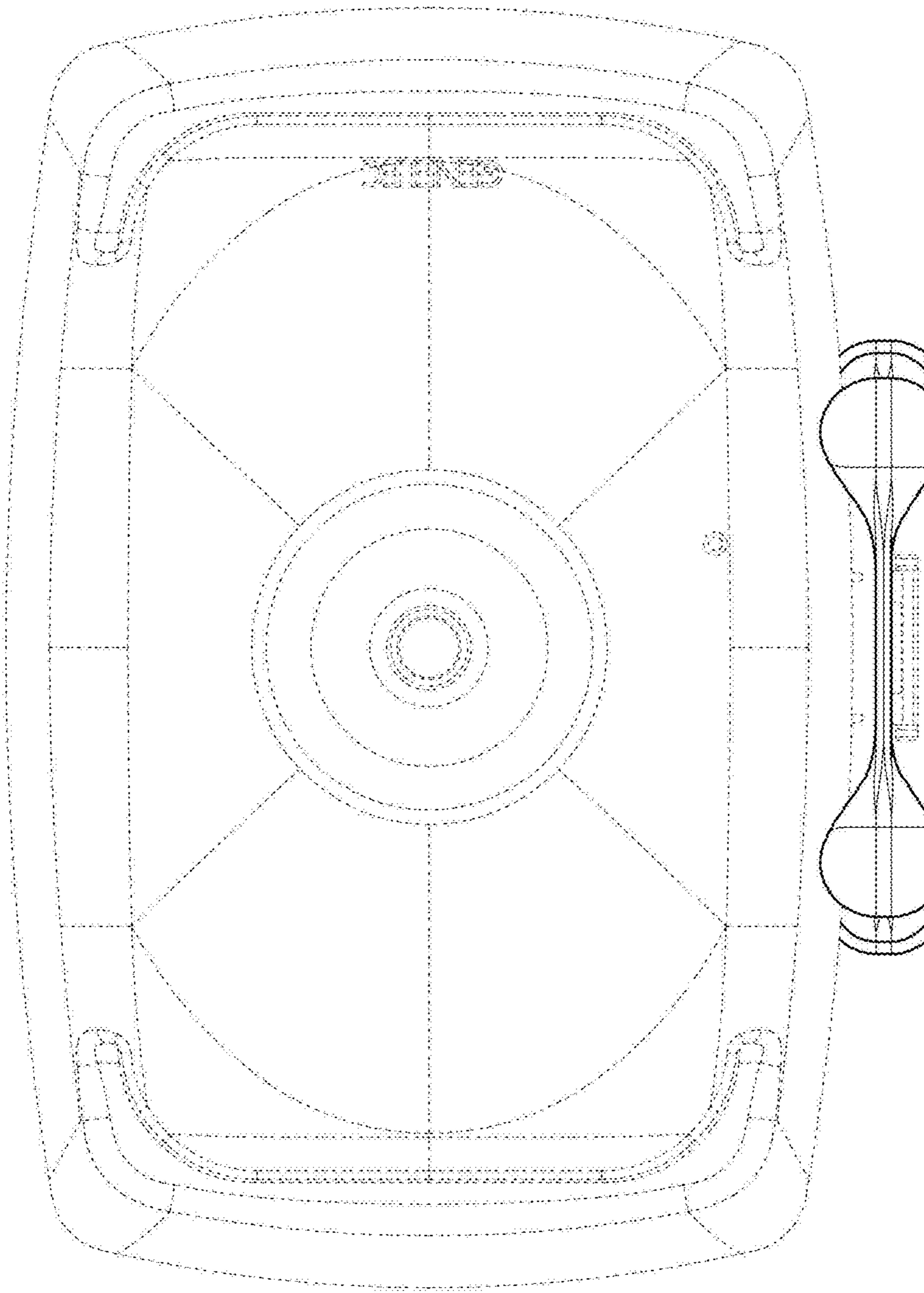


FIG. 2

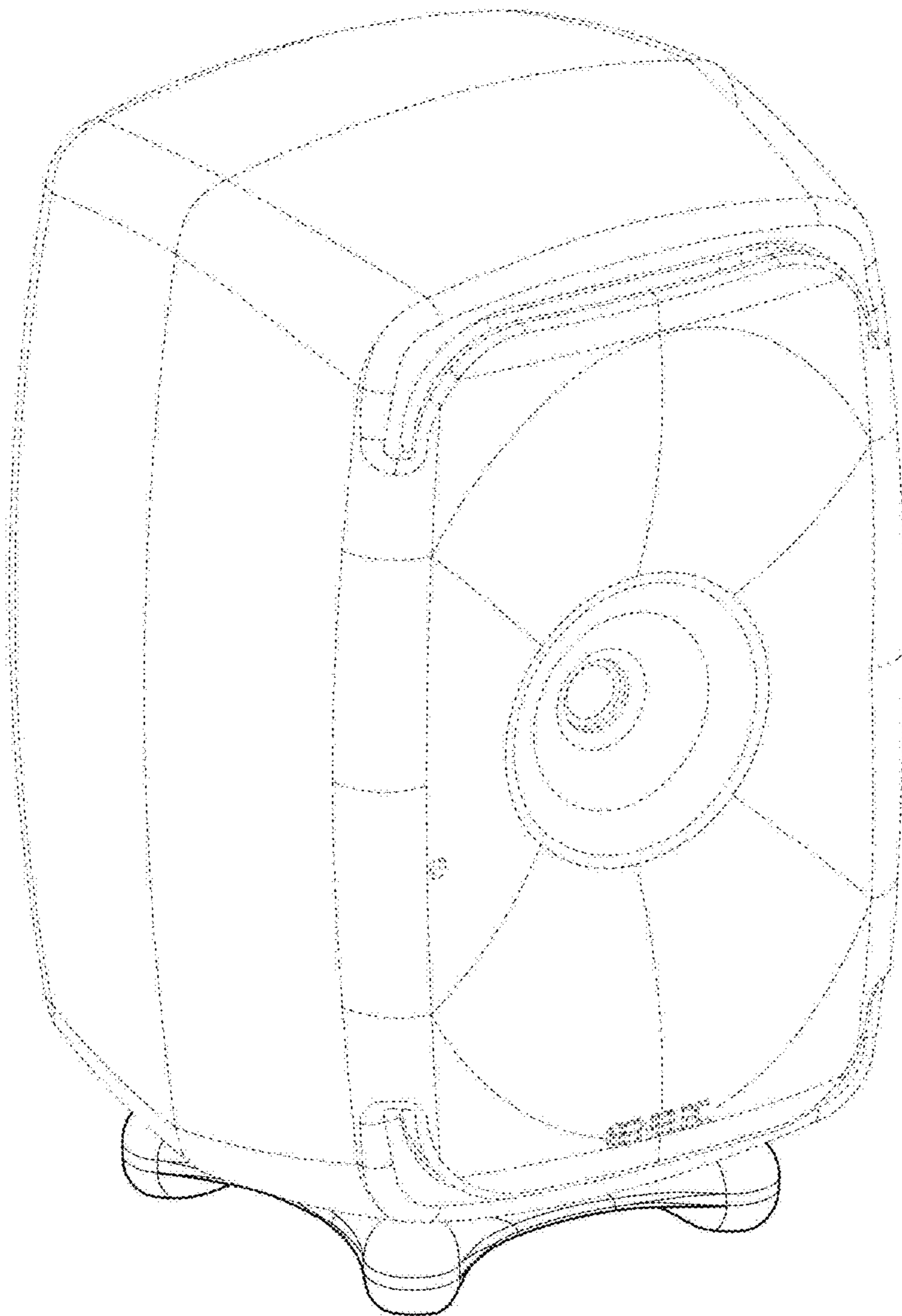


FIG. 3

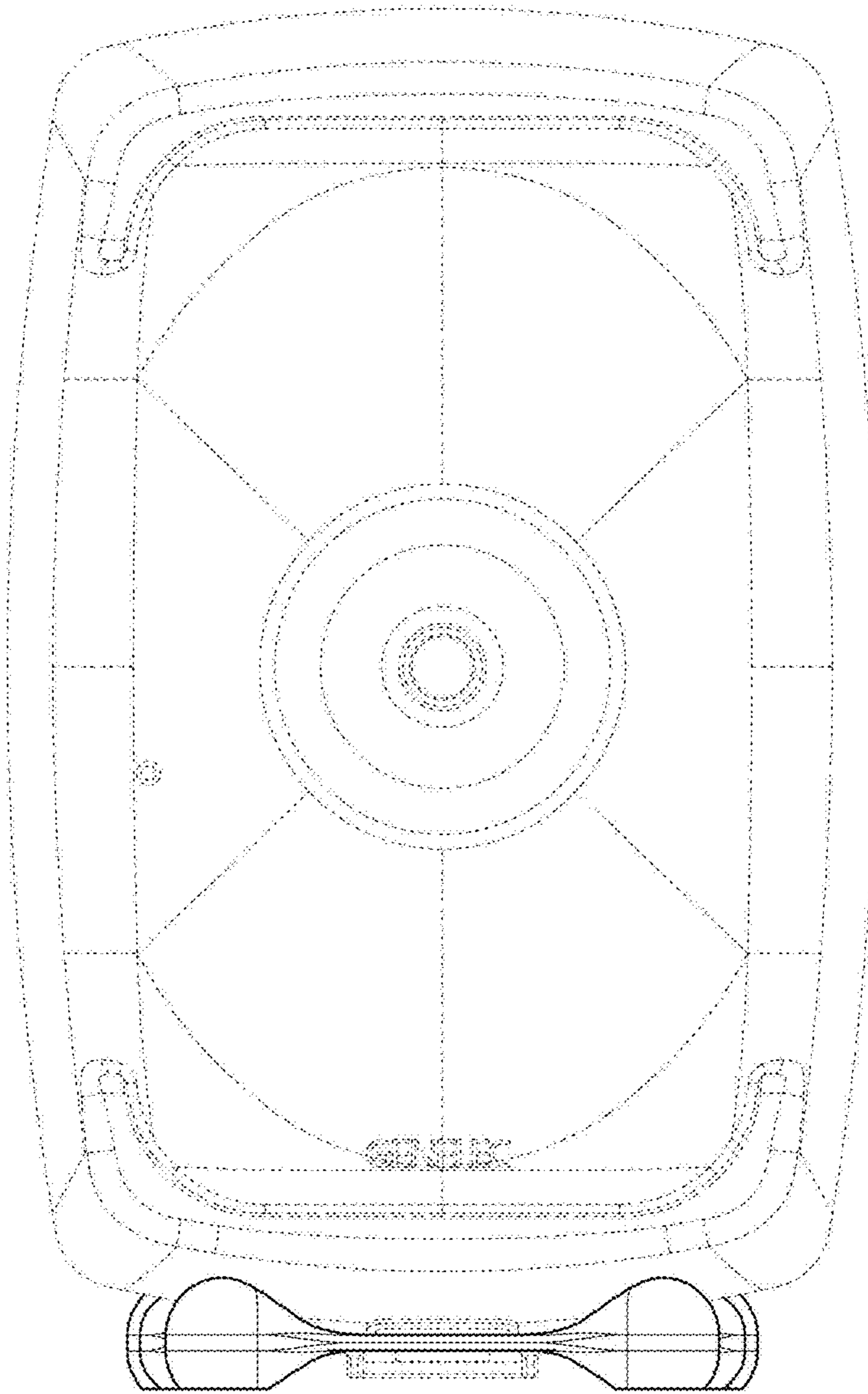


FIG. 4

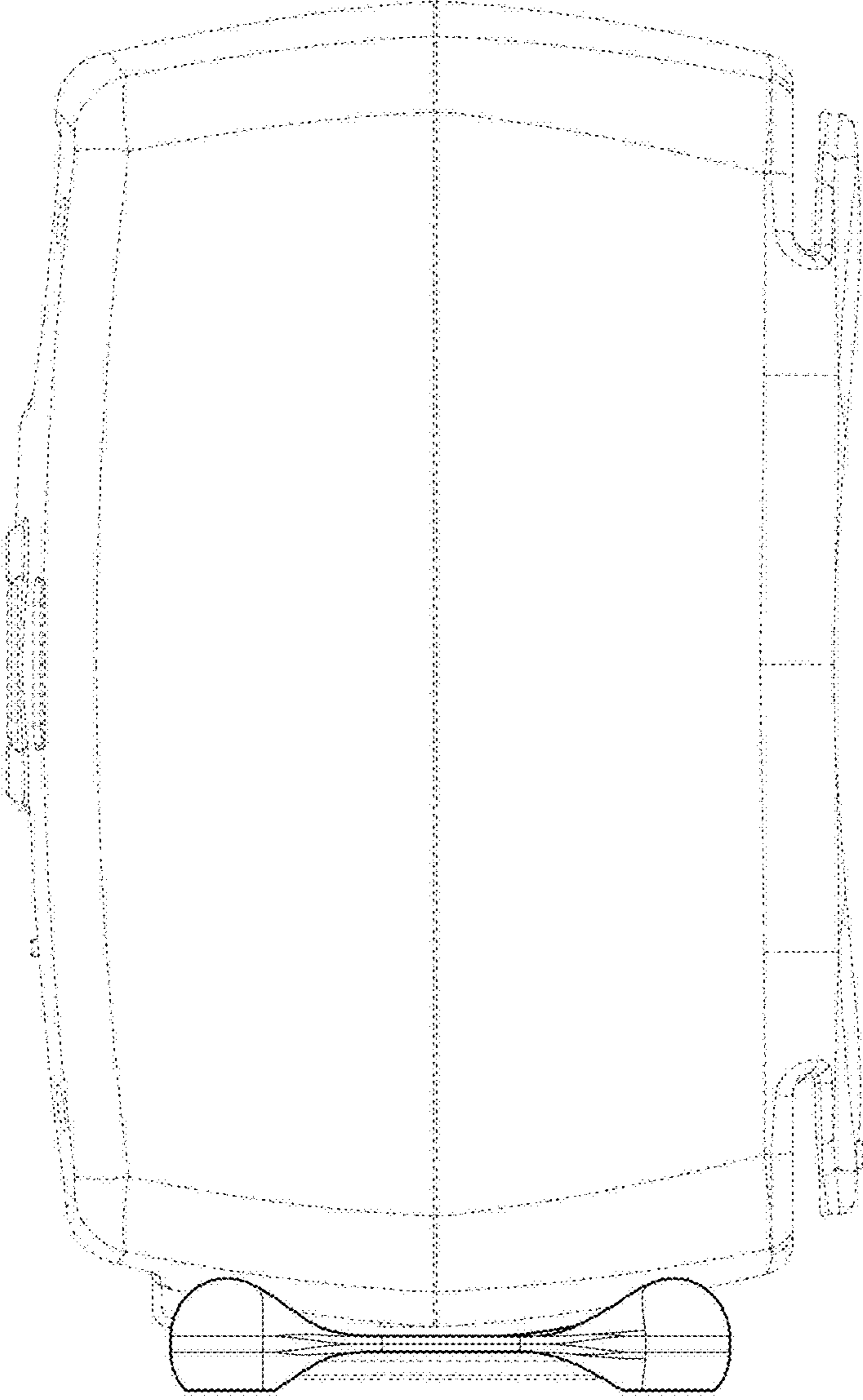


FIG. 5