



US00D850418S

(12) **United States Design Patent**
Su

(10) **Patent No.:** **US D850,418 S**
(45) **Date of Patent:** **** Jun. 4, 2019**

(54) **WIRELESS EARPHONE**
(71) Applicant: **Changjian Su**, Guangdong (CN)
(72) Inventor: **Changjian Su**, Guangdong (CN)
(**) Term: **15 Years**
(21) Appl. No.: **29/625,516**
(22) Filed: **Nov. 10, 2017**
(51) **LOC (11) Cl.** **14-01**
(52) **U.S. Cl.**
USPC **D14/223**
(58) **Field of Classification Search**
USPC D14/223, 205; D24/174; 181/129, 130,
181/135; 379/430, 431; 381/380, 381,
381/374, 74; 455/90.3, 575.1, 569.1
CPC H04R 25/00; H04R 1/10; H04R 1/1016;
H04R 1/1066; H04R 5/033; H04R
5/0335; H04R 25/02
See application file for complete search history.

4,118,606 A * 10/1978 Larkin H04B 1/385
181/20
D251,234 S * 3/1979 Hakansson D10/46
4,296,829 A * 10/1981 Pedersen H04R 25/48
181/129
4,354,065 A * 10/1982 Buettner H04R 25/65
381/322
D274,839 S * 7/1984 Libby D24/174
4,617,431 A * 10/1986 Scott H04M 1/05
181/20
4,783,816 A * 11/1988 Buttner H04R 25/65
381/322
D299,344 S * 1/1989 Stevens D14/249
D309,305 S * 7/1990 von Hall D14/225
D322,481 S * 12/1991 van Mourik D24/174
D326,268 S * 5/1992 Le Tixerant D14/251
D346,026 S * 4/1994 Shubert D24/174
D354,568 S * 1/1995 Araki D24/174
D363,487 S * 10/1995 Thurnau D14/224
D395,653 S * 6/1998 Read D14/142
5,796,821 A * 8/1998 Crouch H04M 1/05
379/430
D421,755 S * 3/2000 Pitel D14/223
D441,739 S * 5/2001 Hayes D14/223

(Continued)

Primary Examiner — Paula Allen Greene

(56) **References Cited**
U.S. PATENT DOCUMENTS

1,556,774 A * 10/1925 Fensky G10K 11/08
181/130
1,587,643 A * 6/1926 Harman H04R 25/65
181/135
1,824,427 A * 9/1931 Fensky A61F 11/008
181/130
2,474,135 A * 6/1949 White H04R 25/656
381/330
2,513,746 A * 7/1950 Rohr H04R 25/604
181/135
2,641,327 A * 6/1953 Balmer H04R 1/105
181/129
3,209,080 A * 9/1965 Guttner H04R 25/402
381/323
4,090,042 A * 5/1978 Larkin H04B 1/385
181/20

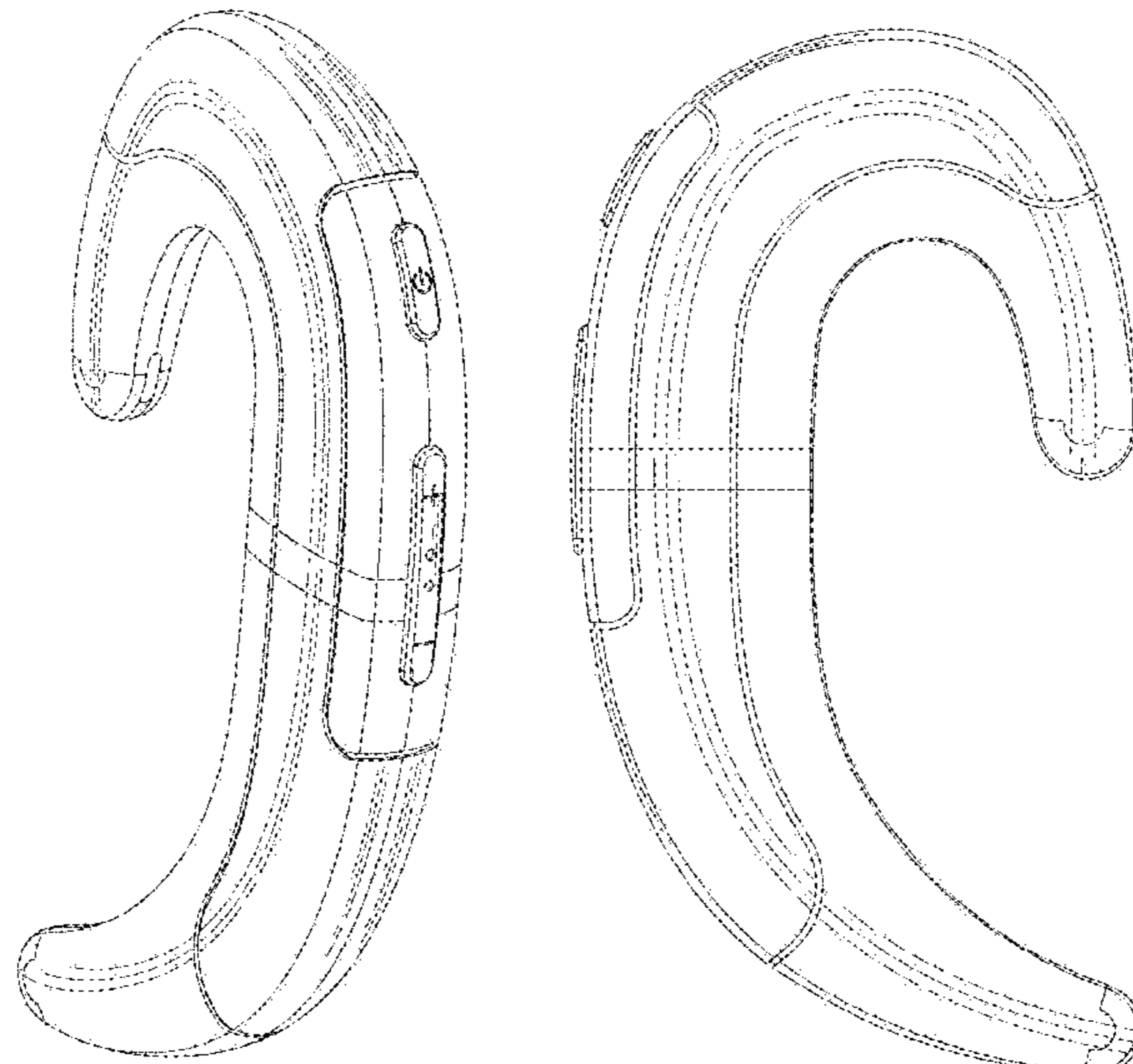
(57) **CLAIM**

I claim the ornamental design for a wireless earphone, as shown and described.

DESCRIPTION

FIG. 1 is a perspective view of a wireless earphone showing my new design;
FIG. 2 is a front elevational view thereof;
FIG. 3 is a rear elevational view thereof;
FIG. 4 is a left side elevational view thereof;
FIG. 5 is a right side elevational view thereof;
FIG. 6 is a top plan view thereof; and,
FIG. 7 is a bottom plan view thereof.

1 Claim, 7 Drawing Sheets



(56)

References Cited

U.S. PATENT DOCUMENTS

D445,415 S * 7/2001 Jaakkola D14/223
 D447,743 S * 9/2001 Ma D14/223
 D460,436 S * 7/2002 Bjorklund D14/205
 D469,081 S * 1/2003 Perszyk D14/205
 D469,422 S * 1/2003 Nguyen D14/205
 D470,129 S * 2/2003 Hlas D14/205
 D471,536 S * 3/2003 Rath D14/206
 D474,178 S * 5/2003 Eroma D14/205
 D480,073 S * 9/2003 Jensen D14/224
 D497,001 S * 10/2004 Narisawa D24/173
 D504,673 S * 5/2005 Dyer D14/205
 D506,462 S * 6/2005 Han D14/205
 D518,816 S * 4/2006 Naito D14/205
 D525,617 S * 7/2006 Darbut D14/223
 D527,377 S * 8/2006 Darbut D14/223
 7,123,737 B2 * 10/2006 Ham H04R 1/105
 381/381
 D566,104 S * 4/2008 Suzuki D14/223
 D573,137 S * 7/2008 Polito D14/223
 D575,772 S * 8/2008 Schultz D14/206
 D589,152 S * 3/2009 Champkins D14/223
 D593,072 S * 5/2009 Ichikawa D14/216
 D599,329 S * 9/2009 Champkins D14/223

D603,847 S * 11/2009 Chung D14/223
 D604,419 S * 11/2009 Mori D24/174
 D611,933 S * 3/2010 Burnham D14/223
 D617,778 S * 6/2010 Birger D14/223
 7,778,410 B2 * 8/2010 Liu H04M 1/05
 379/430
 D629,397 S * 12/2010 Hensen H04R 5/033
 D14/223
 D630,621 S * 1/2011 Pedersen D14/223
 D654,057 S * 2/2012 Burgett D14/223
 D662,915 S * 7/2012 Halkosaari D14/223
 D695,276 S * 12/2013 Chee D14/206
 D695,720 S * 12/2013 Chee D14/206
 D699,213 S * 2/2014 Burgett D14/205
 D710,326 S * 8/2014 Burgett D14/205
 D710,333 S * 8/2014 Davies H04R 1/10
 D14/223
 D717,443 S * 11/2014 Hughes D24/167
 D812,587 S * 3/2018 Kelly D14/205
 2008/0232632 A1 * 9/2008 Liu H04M 1/05
 381/381
 2009/0100654 A1 * 4/2009 Carps F16B 5/02
 24/711.4
 2010/0239114 A1 * 9/2010 Wada A61B 5/0478
 381/380

* cited by examiner

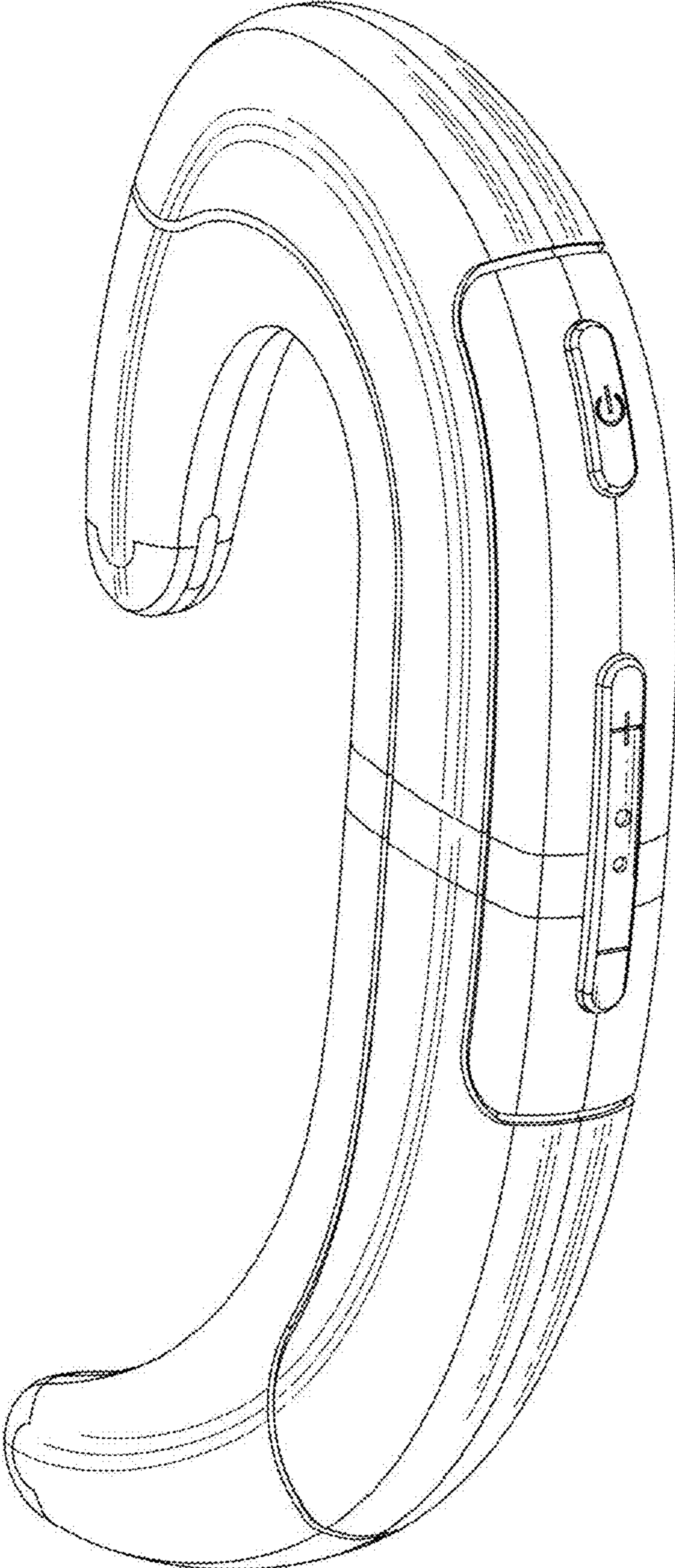


FIG.1

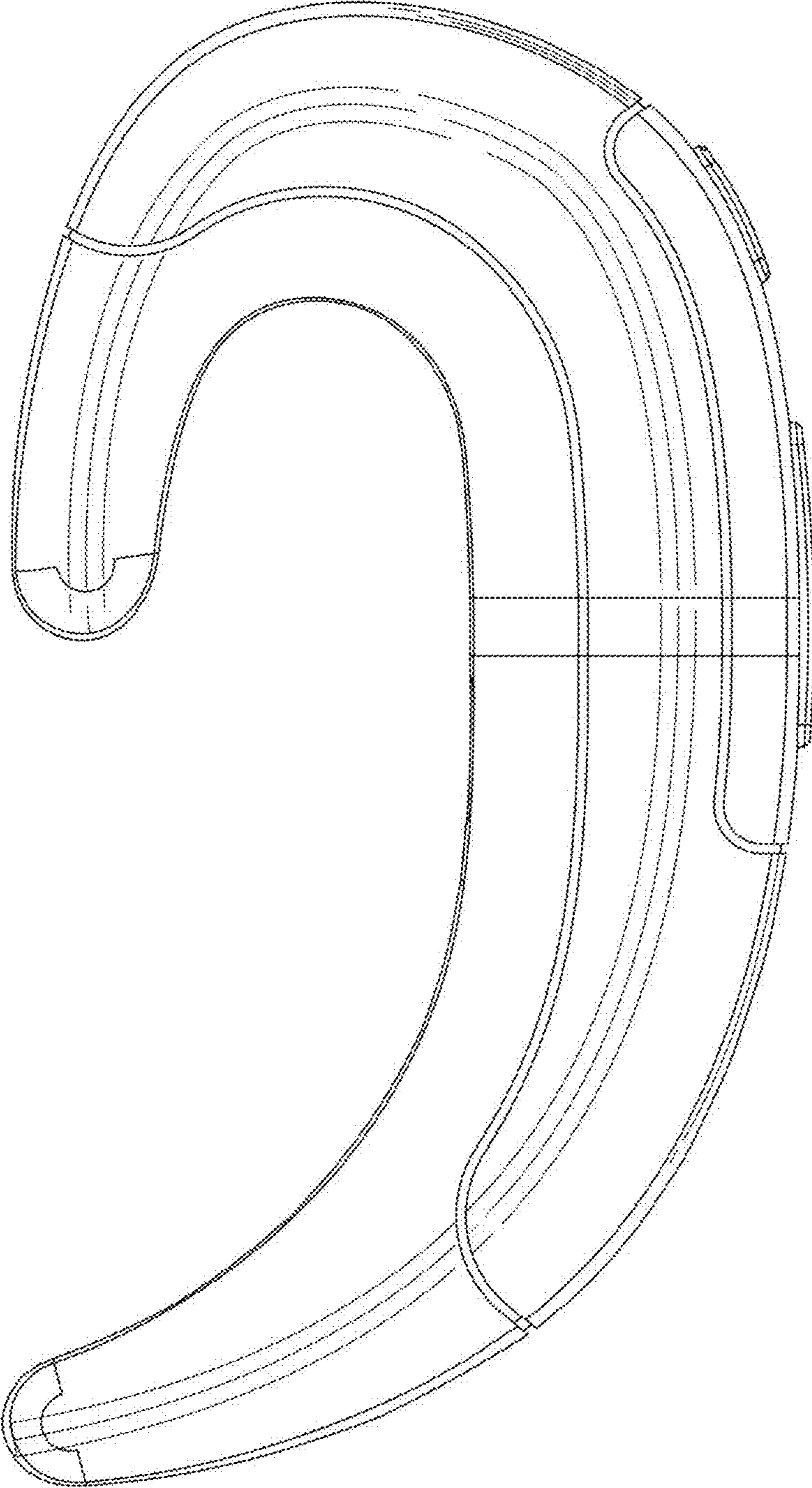


FIG.2

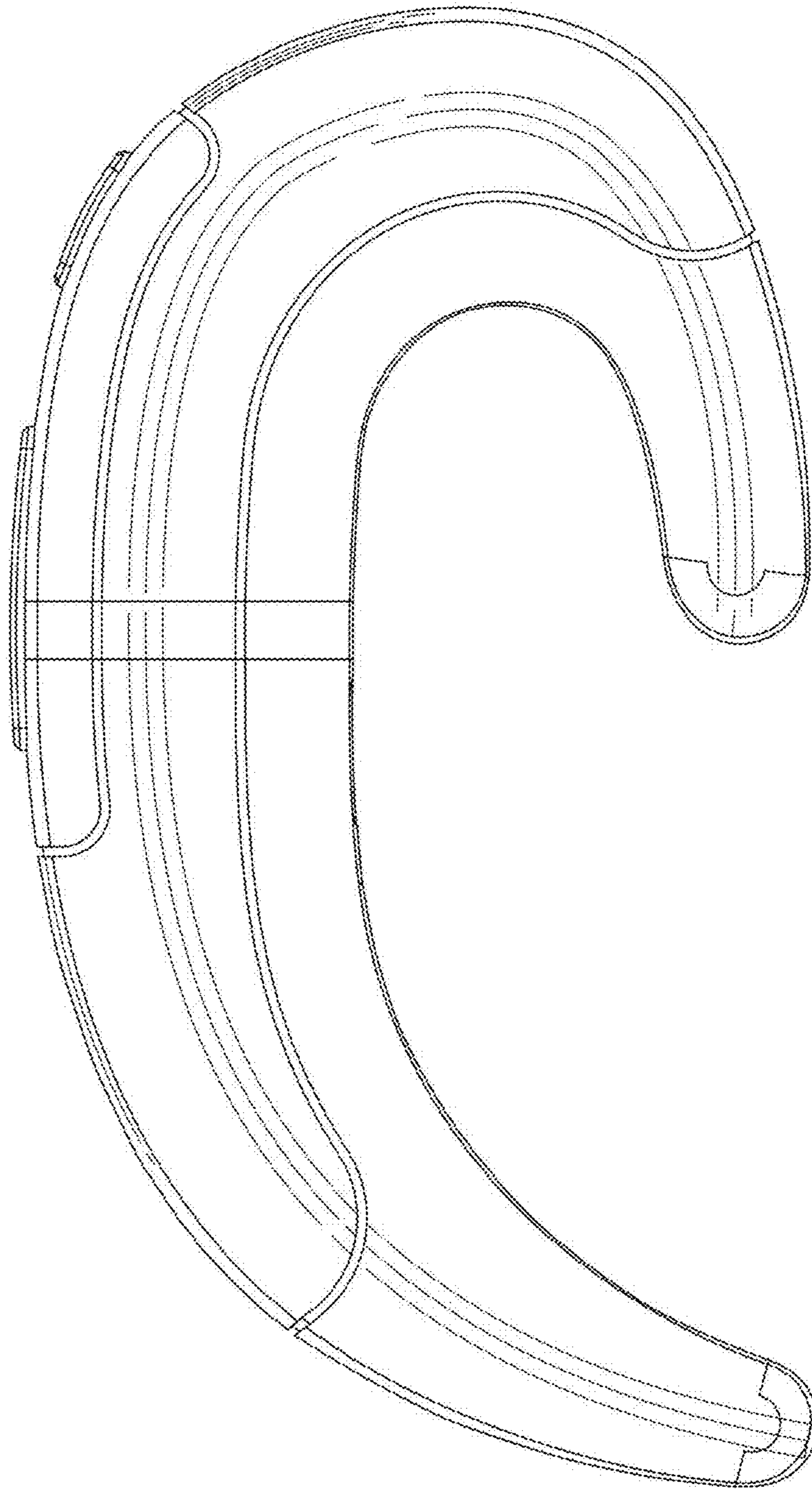


FIG.3

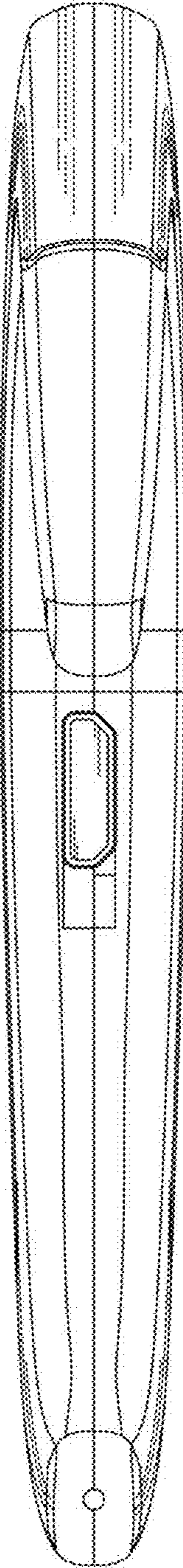


FIG.4

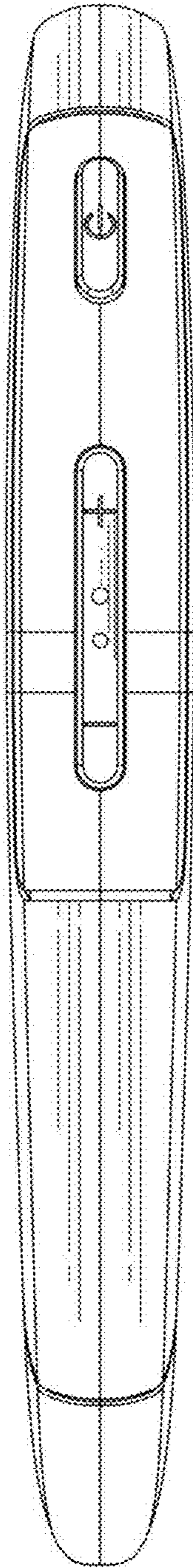


FIG.5

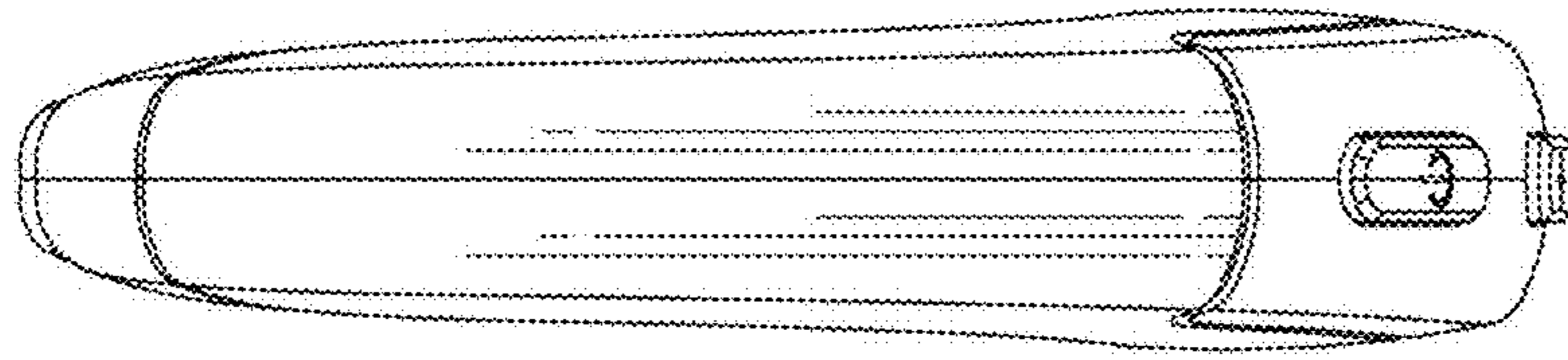


FIG.6

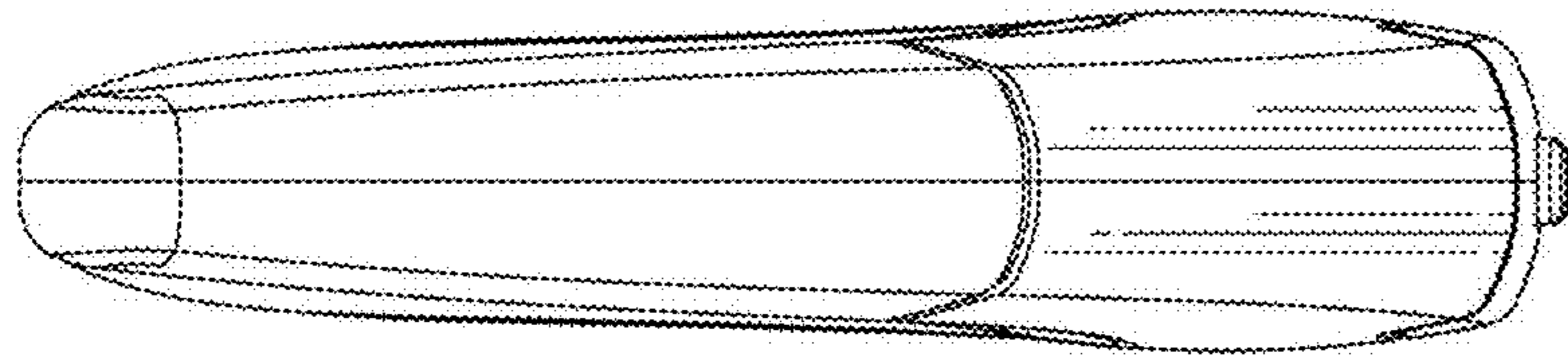


FIG.7