

US00D850417S

(12) **United States Design Patent**  
**Yang**

(10) **Patent No.:** **US D850,417 S**

(45) **Date of Patent:** **\*\* Jun. 4, 2019**

(54) **EAR HOOK**

(71) Applicant: **SHENZHEN GINTO E-COMMERCE CO., LIMITED**, Shenzhen (CN)

(72) Inventor: **Yong Yang**, Shenzhen (CN)

(73) Assignee: **Shenzhen GINTO E-Commerce Co., Limited**, Shenzhen (CN)

(\*\*) Term: **15 Years**

(21) Appl. No.: **29/623,227**

(22) Filed: **Oct. 24, 2017**

(51) **LOC (11) Cl.** ..... **14-01**

(52) **U.S. Cl.**  
USPC ..... **D14/223**

(58) **Field of Classification Search**  
USPC ..... D14/204, 205, 206, 223, 224, 225, 249, D14/372, 433, 138 R, 188, 192, 172, D14/203.1, 191, 496; D29/112; D28/41; D2/875; D24/174, 173, 106; D8/330, D8/341; D13/118, 108, 119  
CPC ..... H04R 25/02; H04R 25/00; H04R 1/10; H04R 1/1016; H04R 1/105; H04R 1/1083; H04R 1/02; H04R 1/1041; H04R 1/28; H04R 5/033; H04R 2420/07; H04R 2430/00; H04R 2430/01  
See application file for complete search history.

(56) **References Cited**

**U.S. PATENT DOCUMENTS**

- 2,528,811 A \* 11/1950 Balbi ..... H04R 11/00 381/328
- D179,151 S \* 11/1956 Norris ..... D14/192
- 3,345,737 A \* 10/1967 Gordon ..... B29C 39/00 264/222
- D388,093 S \* 12/1997 Frengley ..... D14/223
- D587,247 S \* 2/2009 Densho ..... D14/223

- D601,134 S \* 9/2009 Elabidi ..... D14/223
- D628,990 S \* 12/2010 Pedersen ..... D14/223
- D634,306 S \* 3/2011 Pedersen ..... D14/223
- D687,021 S \* 7/2013 Yuen ..... D14/223
- D689,848 S \* 9/2013 Lee ..... D14/223
- D694,220 S \* 11/2013 Lee ..... D14/223
- D716,770 S \* 11/2014 Bonahoom ..... D14/223
- D726,694 S \* 4/2015 Behar ..... D14/223
- D738,862 S \* 9/2015 Behar ..... D14/223
- D744,456 S \* 12/2015 Pedersen ..... D14/223
- D759,633 S \* 6/2016 Gondo ..... D14/223

(Continued)

**FOREIGN PATENT DOCUMENTS**

- CN 303670067 \* 5/2016
- CN 303825714 \* 8/2016

(Continued)

*Primary Examiner* — Barbara Fox  
*Assistant Examiner* — Mary C Ramirez

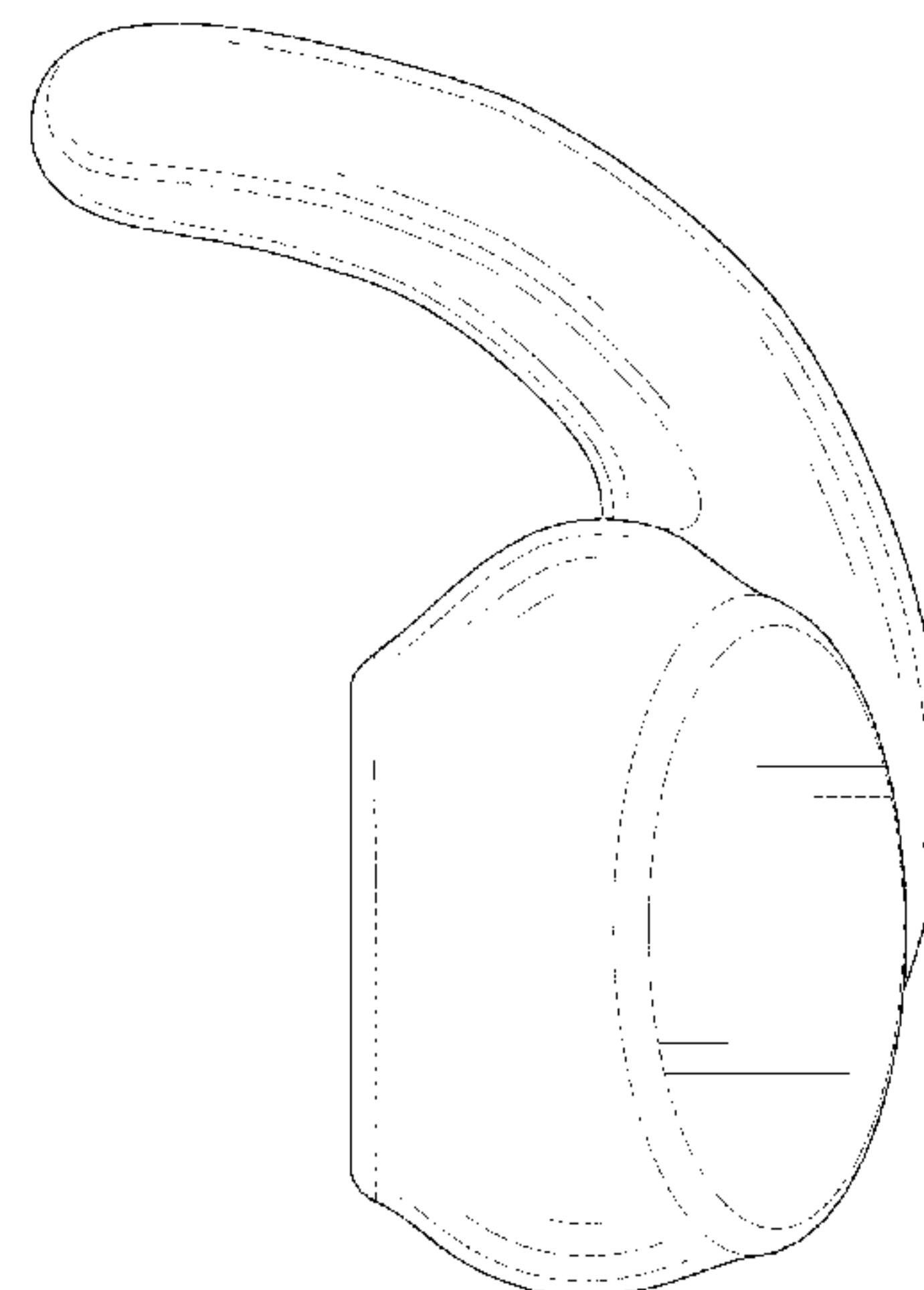
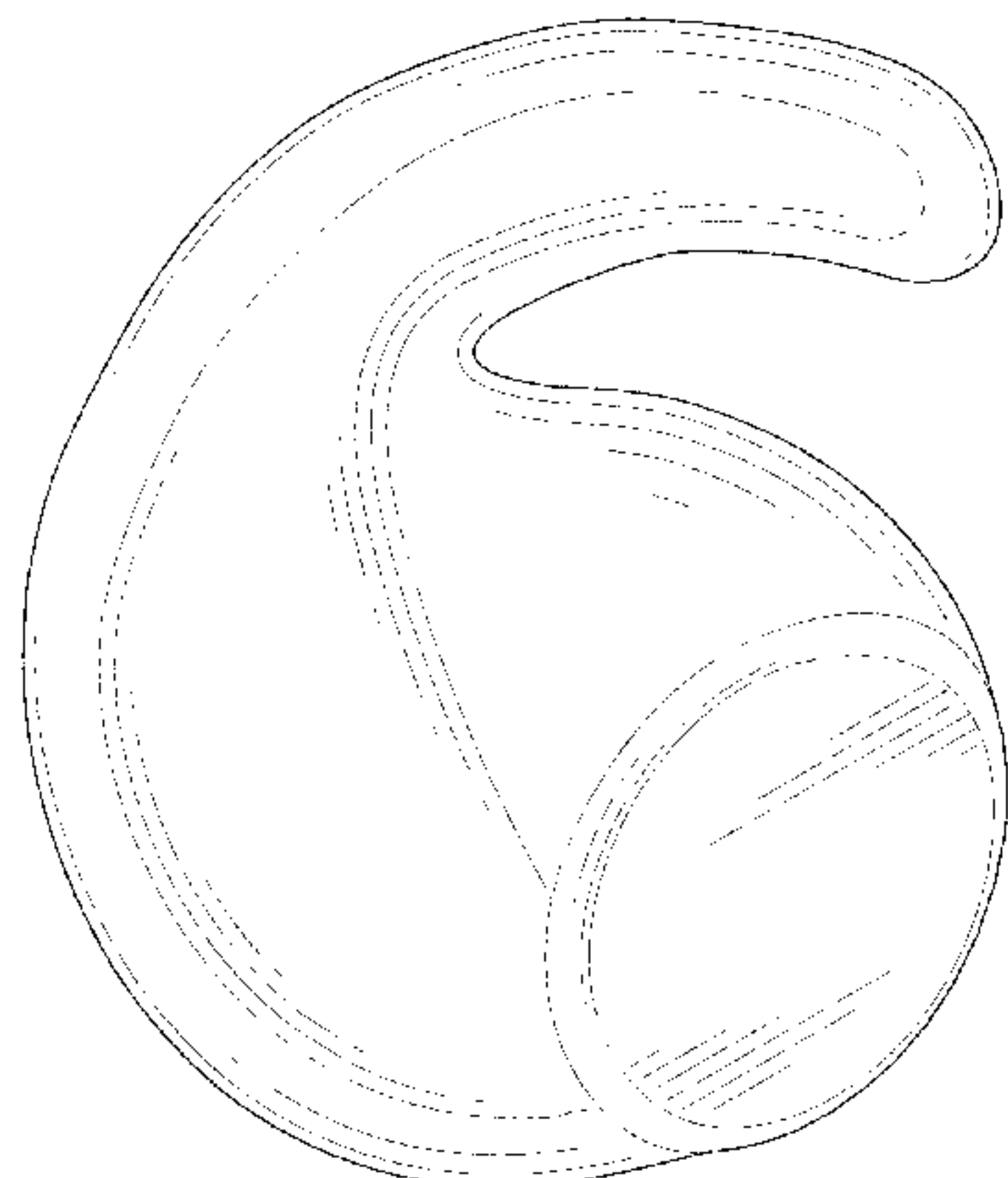
(57) **CLAIM**

The ornamental design for an ear hook, as shown and described.

**DESCRIPTION**

FIG. 1 is a perspective view of an ear hook showing my new design;  
FIG. 2 is another perspective view thereof;  
FIG. 3 is a front elevational view thereof;  
FIG. 4 is a rear elevational view thereof;  
FIG. 5 is a left side elevational view thereof;  
FIG. 6 is a right side elevational view thereof;  
FIG. 7 is a top plan view thereof;  
FIG. 8 is a bottom plan view thereof; and,  
FIG. 9 is perspective view of the ear hook mounted to an earbud.  
The broken lines showing an earbud in FIG. 9 depict environmental subject matter only and form no part of the claimed design.

**1 Claim, 9 Drawing Sheets**



(56)

**References Cited**

U.S. PATENT DOCUMENTS

D770,425	S	*	11/2016	Son	.....	D14/205
D773,440	S	*	12/2016	Pedersen	.....	D14/223
D773,441	S	*	12/2016	Pedersen	.....	D14/223
D774,021	S	*	12/2016	Pedersen	.....	D14/223
D800,703	S	*	10/2017	Vaclavik	.....	D14/223
2012/0128192	A1	*	5/2012	Burgett	.....	H04R 1/1016 381/380
2013/0136294	A1	*	5/2013	Lee	.....	H04R 1/1041 381/380
2014/0153768	A1	*	6/2014	Hagen	.....	H04R 1/1008 381/380
2015/0030196	A1	*	1/2015	Basseas	.....	H04R 1/1016 381/380
2015/0117695	A1	*	4/2015	Barrentine	.....	H04R 1/105 381/380
2015/0215693	A1	*	7/2015	Sandanger	.....	A61F 11/08 381/380
2018/0213315	A1	*	7/2018	Kirkpatrick	.....	H04R 1/105
2018/0332379	A1	*	11/2018	McGarry	.....	H04R 1/1016

FOREIGN PATENT DOCUMENTS

CN	303825828	*	8/2016
CN	304088592	*	3/2017
CN	304313996	*	10/2017
CN	304710888	*	7/2018
EM	004420800-0003	*	11/2017

\* cited by examiner

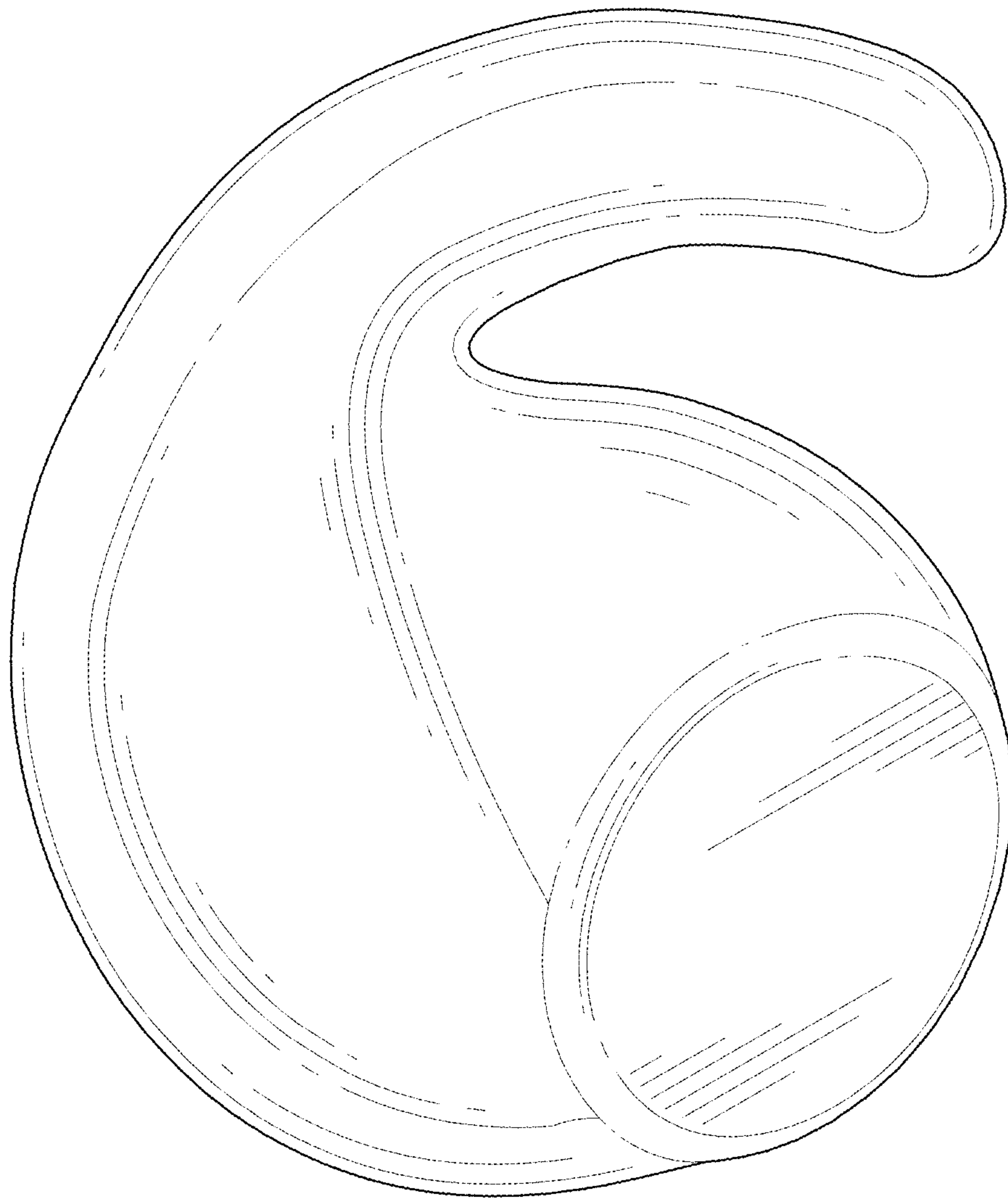


FIG. 1



FIG. 2

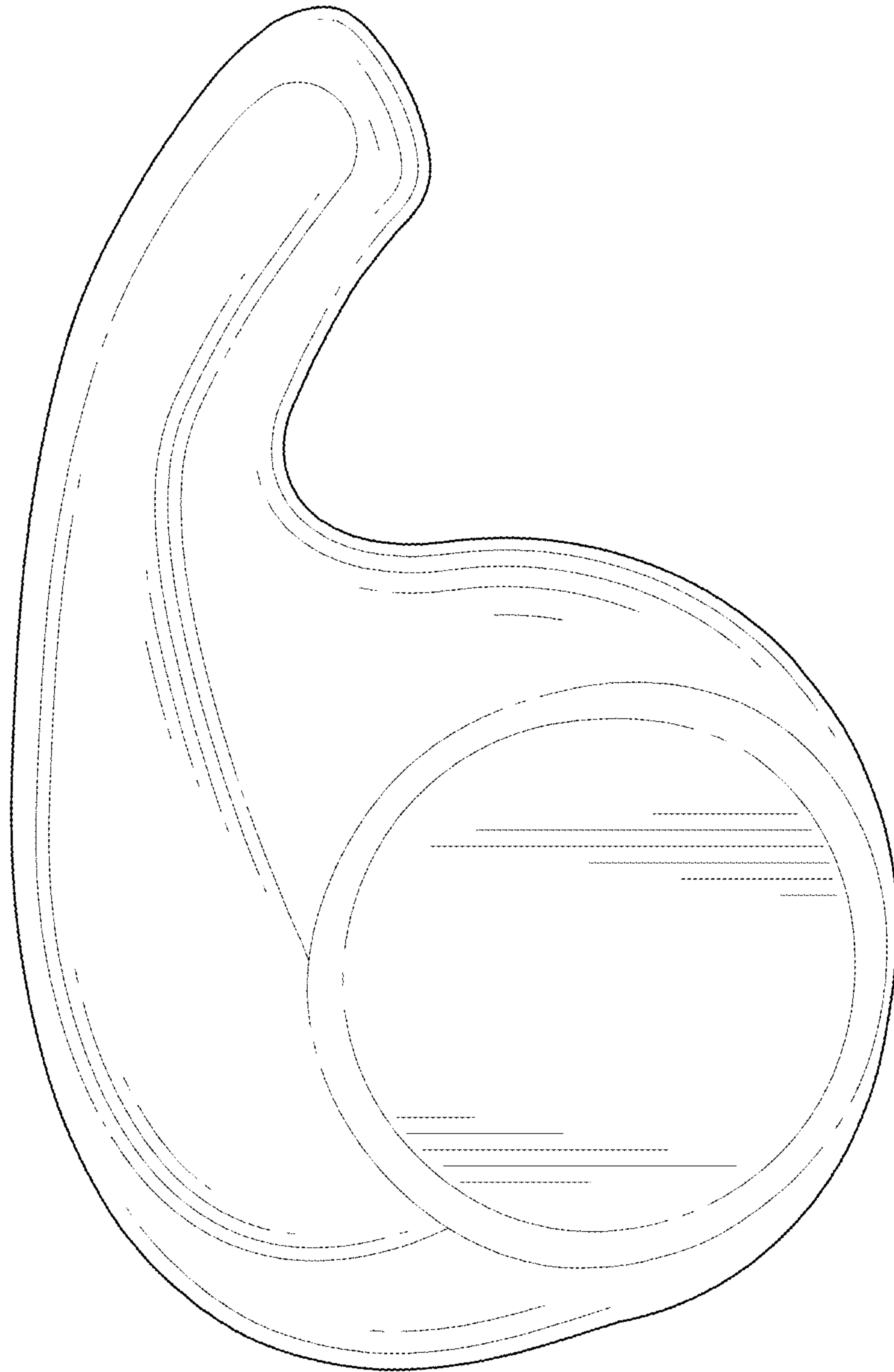


FIG. 3

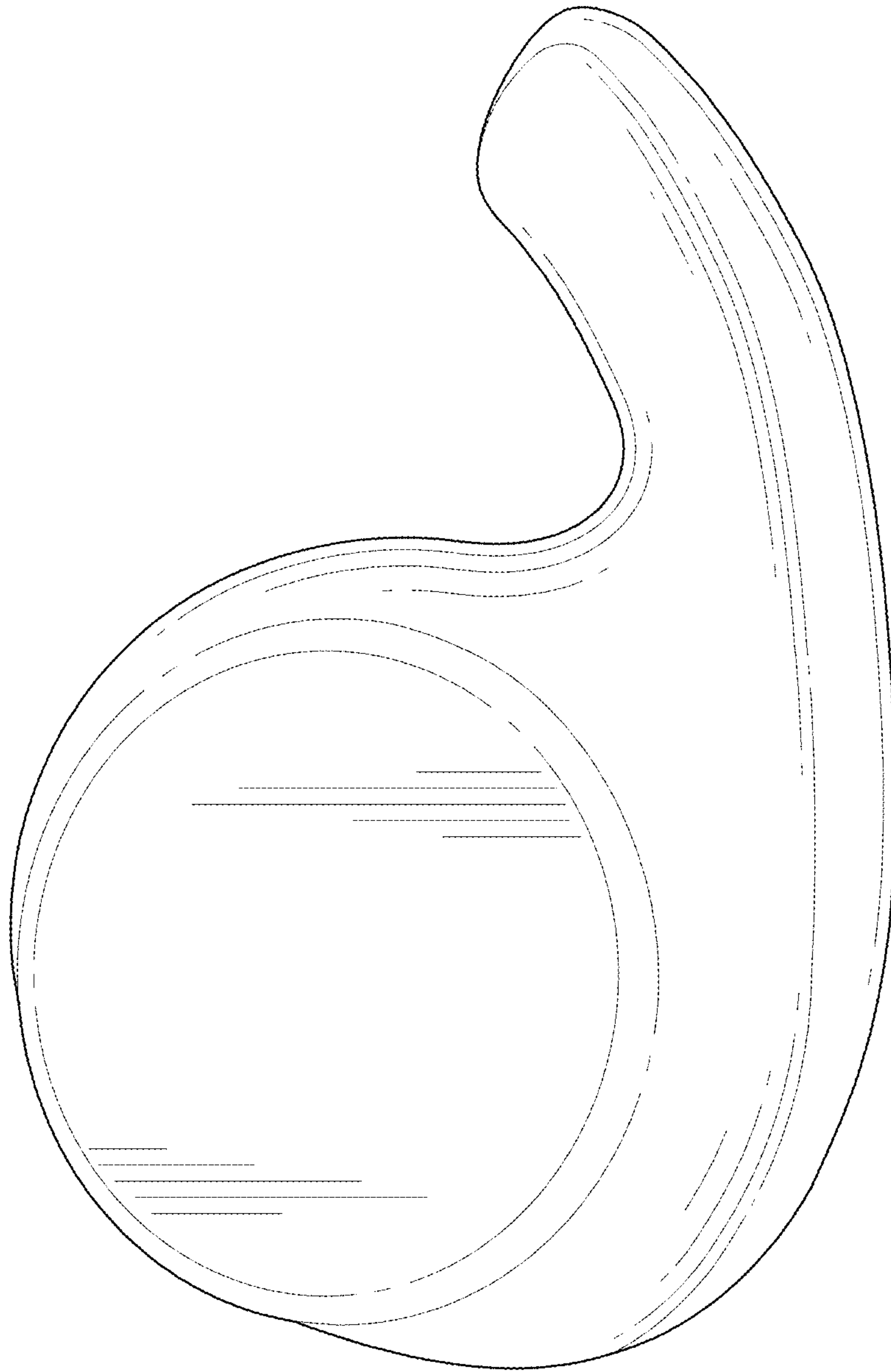


FIG. 4



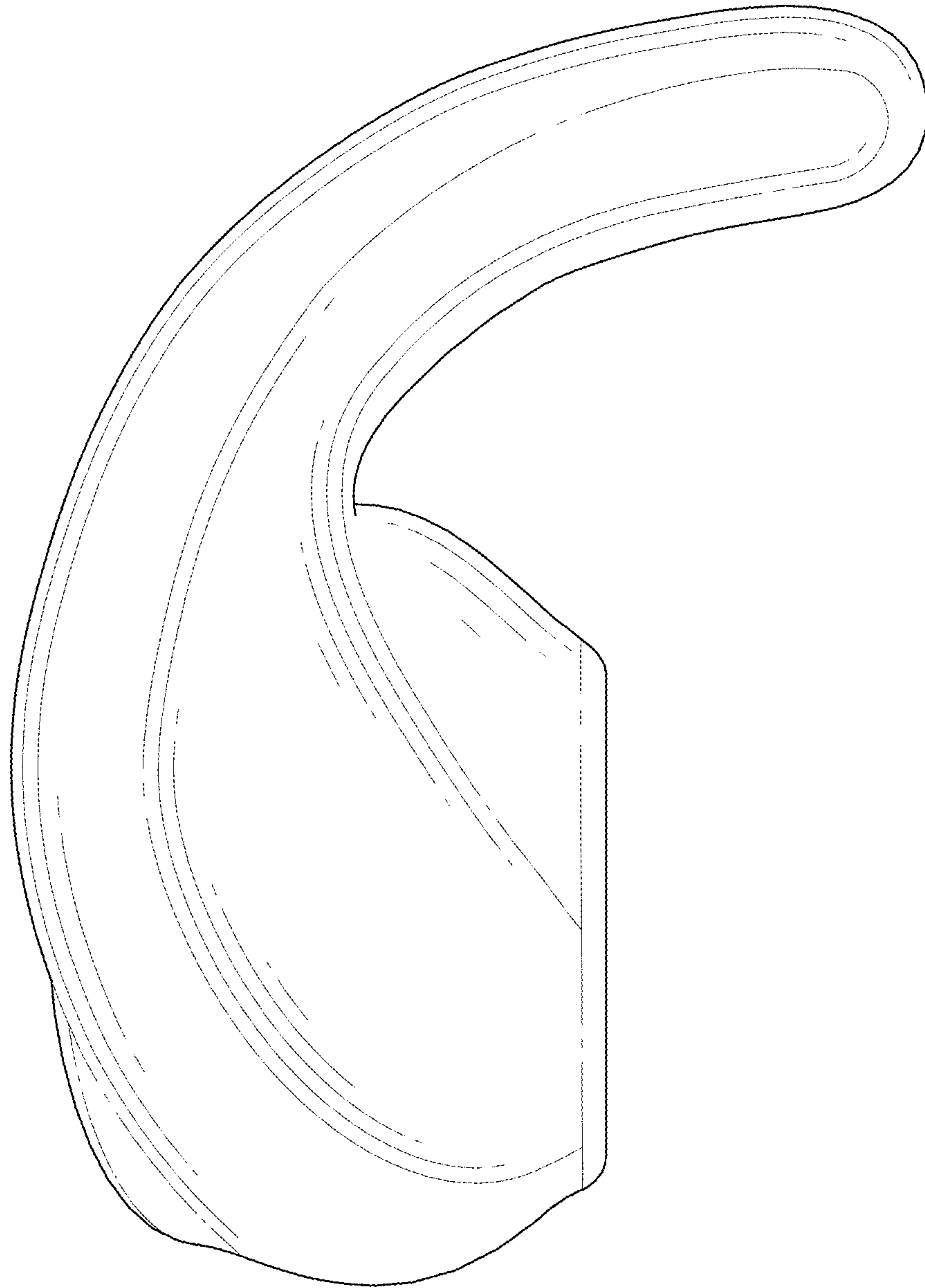


FIG. 5

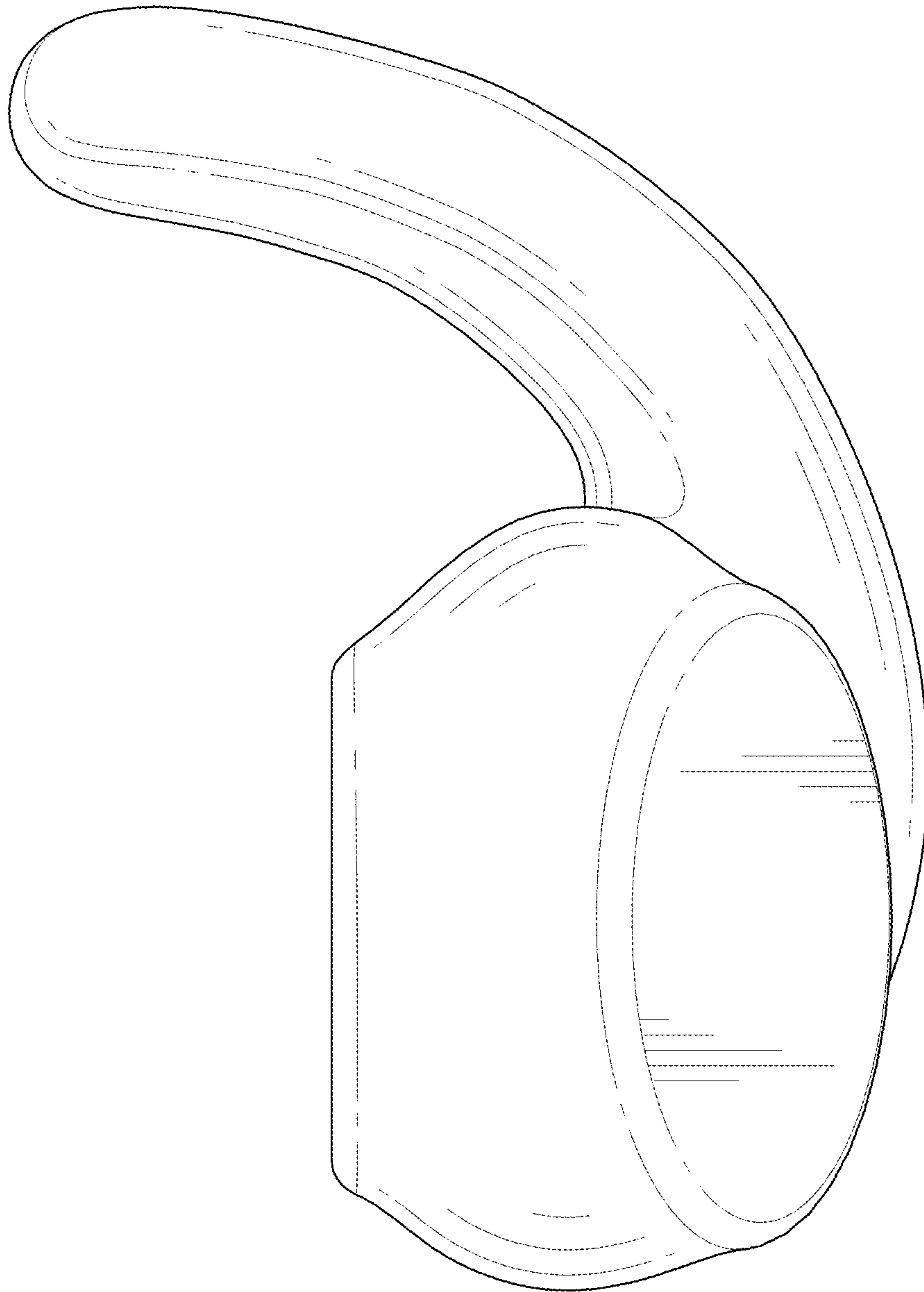


FIG. 6



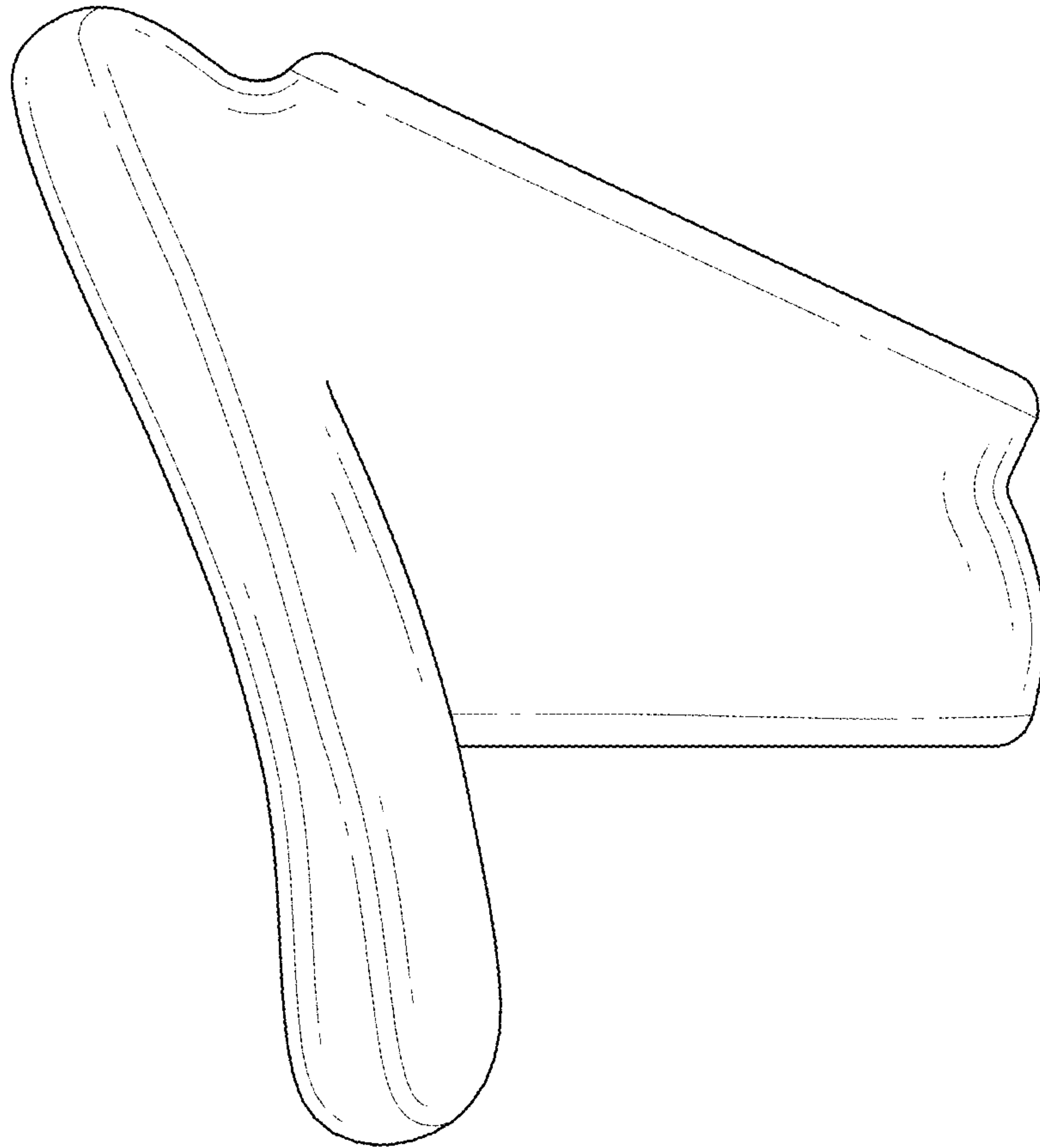


FIG. 7

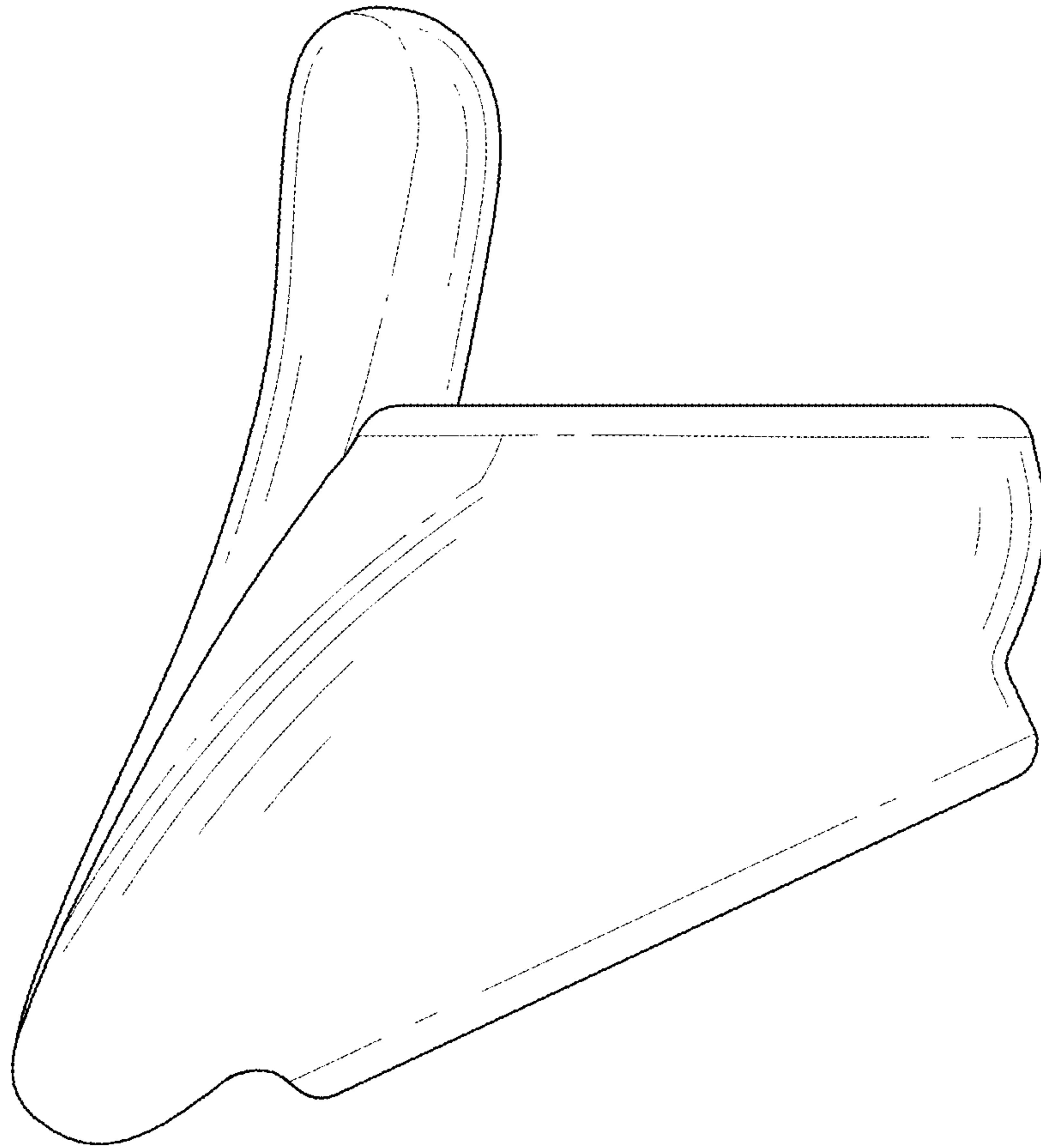


FIG. 8

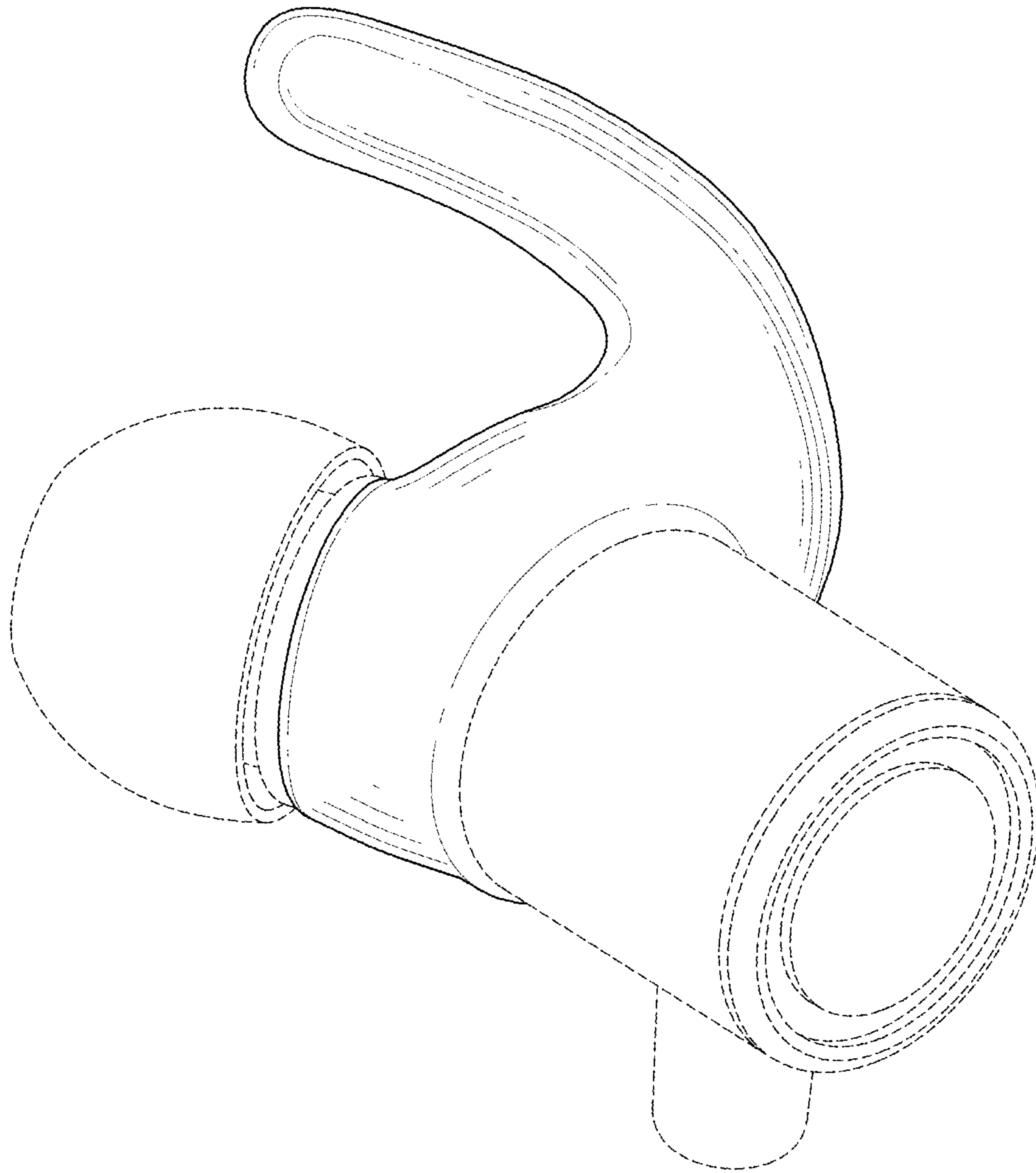


FIG. 9