



US00D850416S

(12) **United States Design Patent**
Hu

(10) **Patent No.:** **US D850,416 S**
(45) **Date of Patent:** **** Jun. 4, 2019**

(54) **EARPHONE**

(71) Applicant: **1MORE INC.**, Shenzhen, Guangdong (CN)

(72) Inventor: **Yonghui Hu**, Guangdong (CN)

(73) Assignee: **1MORE INC.**, Shenzhen (CN)

(**) Term: **15 Years**

(21) Appl. No.: **29/612,229**

(22) Filed: **Jul. 31, 2017**

(30) **Foreign Application Priority Data**

Feb. 14, 2017 (CN) 2017 3 0039191

(51) **LOC (11) Cl.** **14-01**

(52) **U.S. Cl.**
USPC **D14/223**

(58) **Field of Classification Search**
USPC D14/204, 205, 206, 223, 224, 225, 249,
D14/372, 433, 138 R, 188, 192, 172,
D14/203.1, 191, 496; D29/112; D28/41;
D2/875; D24/174, 173, 106; D8/330,
D8/341; D13/118, 108, 119
CPC H04R 25/02; H04R 25/00; H04R 1/10;
H04R 1/1016; H04R 1/105; H04R
1/1083; H04R 1/02; H04R 1/1041; H04R
1/28; H04R 5/033; H04R 2420/07; H04R
2430/00; H04R 2430/01
See application file for complete search history.

(56) **References Cited**

U.S. PATENT DOCUMENTS

D532,110 S * 11/2006 Bailey D24/174
D569,841 S * 5/2008 Chung D14/205
D582,389 S * 12/2008 Bose D14/205
D590,810 S * 4/2009 Komiyama D14/205
D599,785 S * 9/2009 Matsuda D14/205

D639,282 S * 6/2011 Ohori D14/223
D642,163 S * 7/2011 Lee D14/223
D662,079 S * 6/2012 Fahrendorff D14/205
8,218,808 B2 * 7/2012 Xu H04R 1/1033
381/370
D691,580 S * 10/2013 Cho D14/205
D700,167 S * 2/2014 Hardi D14/205
D707,652 S * 6/2014 Brunner H04R 25/00
D14/205
D711,325 S * 8/2014 Evers D13/153
D715,253 S * 10/2014 Lee D14/205
(Continued)

FOREIGN PATENT DOCUMENTS

CN 303275503 * 12/2014
CN 303089535 * 1/2015
(Continued)

Primary Examiner — Barbara Fox
Assistant Examiner — Mary C Ramirez
(74) *Attorney, Agent, or Firm* — Ladas & Parry LLP

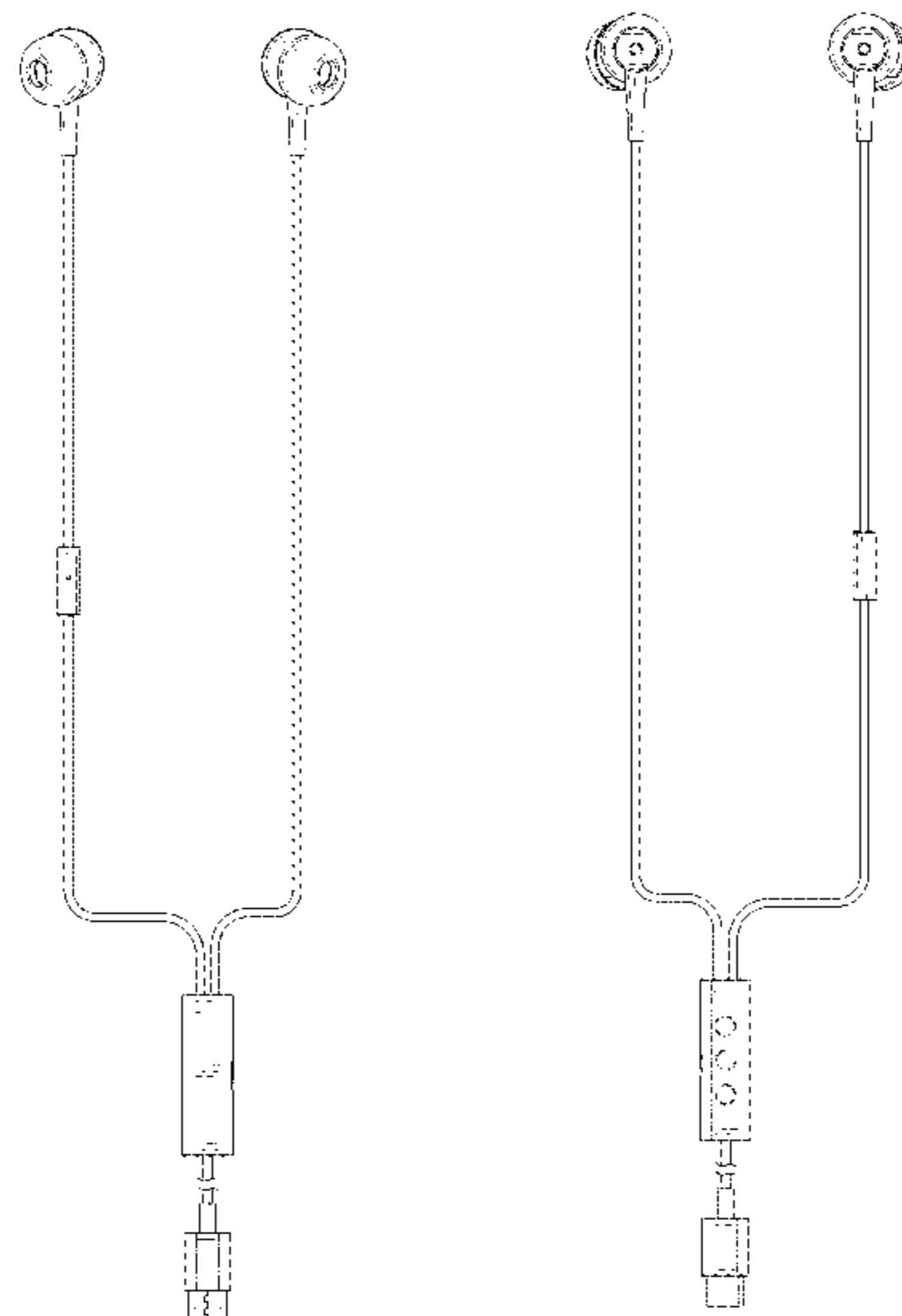
(57) **CLAIM**

The ornamental design for an earphone, as shown and described.

DESCRIPTION

FIG. 1 is a perspective view of an earphone showing my new design;
FIG. 2 is another perspective view thereof;
FIG. 3 is a front elevational view thereof;
FIG. 4 is a rear elevational view thereof;
FIG. 5 is a left-side elevational view thereof;
FIG. 6 is a right-side elevational view thereof;
FIG. 7 is a top plan view thereof; and,
FIG. 8 is a bottom plan view thereof.
The earphone is shown with a symbolic break in its length.
The appearance of any portion of the earphone between the break lines forms no part of the claimed design.

1 Claim, 8 Drawing Sheets



(56)

References Cited

U.S. PATENT DOCUMENTS

D718,745 S * 12/2014 Thompson D14/223
 8,913,773 B2 * 12/2014 Matsuo H04R 1/1016
 381/380
 D722,040 S * 2/2015 Tan D14/205
 D727,871 S * 4/2015 Orbach D14/205
 D746,792 S * 1/2016 Kim D14/205
 D762,196 S * 7/2016 Hsieh D14/223
 D764,436 S * 8/2016 Dryden D14/205
 D775,108 S * 12/2016 Hsieh D14/223
 D776,083 S * 1/2017 Lee D14/205
 D777,139 S * 1/2017 Fletcher D14/205
 D778,267 S * 2/2017 Hsieh D14/223
 D778,268 S * 2/2017 Hsieh D14/223
 D782,998 S * 4/2017 Shin D14/205
 D796,473 S * 9/2017 Kim D14/205
 D799,452 S * 10/2017 Lee D14/223
 D803,185 S * 11/2017 Loh Jun Kern D14/205
 D812,038 S * 3/2018 Nakajima D14/205
 D813,196 S * 3/2018 Yang D14/205

D817,301 S * 5/2018 Aoyagi D14/205
 D830,992 S * 10/2018 Hardi D14/205
 2012/0020501 A1 * 1/2012 Lee H04R 1/1091
 381/151
 2017/0049335 A1 * 2/2017 Duddy A61B 5/0205
 2017/0264991 A1 * 9/2017 Horst H04R 1/1041
 2018/0139528 A1 * 5/2018 Wen H04R 1/1041
 2018/0199128 A1 * 7/2018 Chiu H04R 1/1041

FOREIGN PATENT DOCUMENTS

CN 303197764 * 5/2015
 CN 303572410 * 1/2016
 CN 304029909 * 7/2016
 CN 303773528 * 8/2016
 CN 304029908 * 2/2017
 CN 304129995 * 5/2017
 CN 304283956 * 9/2017
 CN 303338622 * 8/2018
 KR 300905479.0000 * 5/2017
 KR 300913818.0000 * 7/2017

* cited by examiner

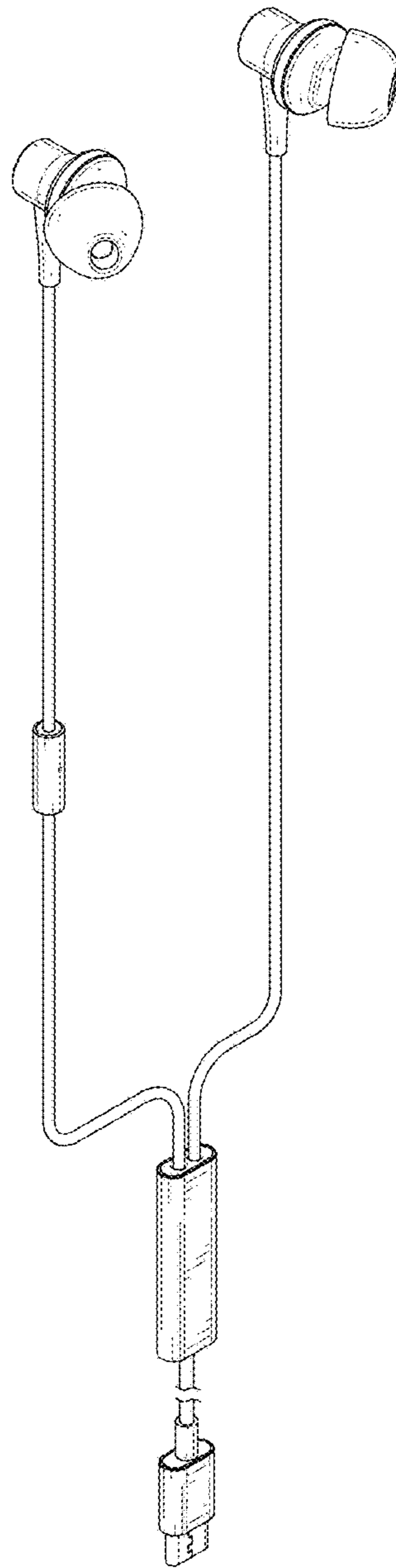


FIG. 1

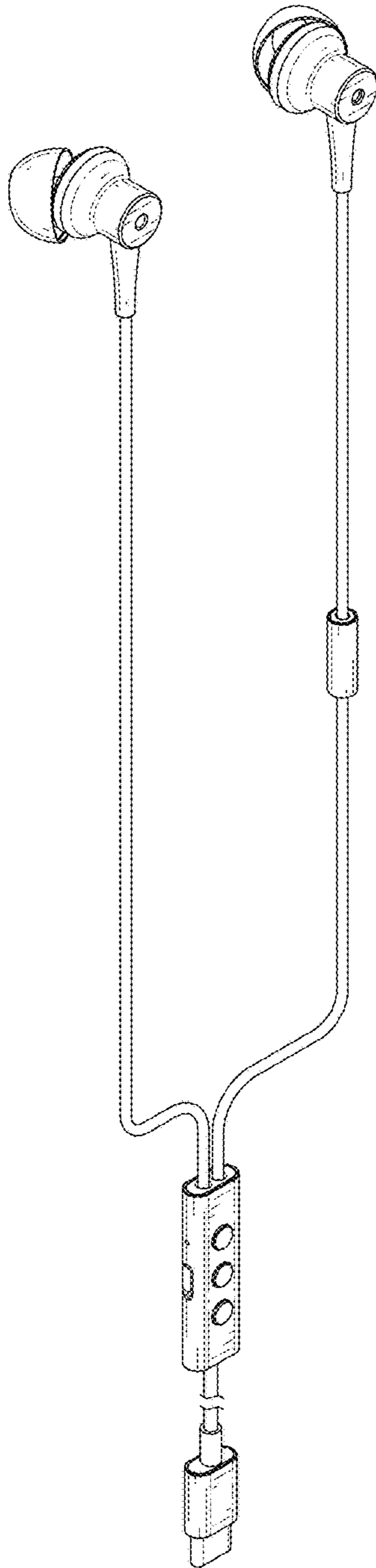


FIG. 2

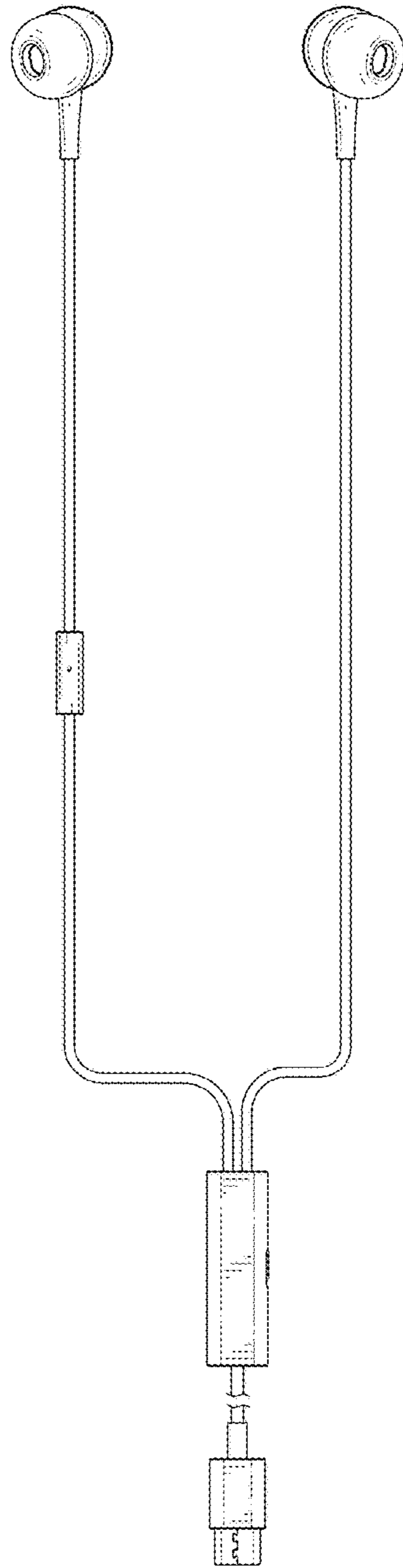


FIG. 3

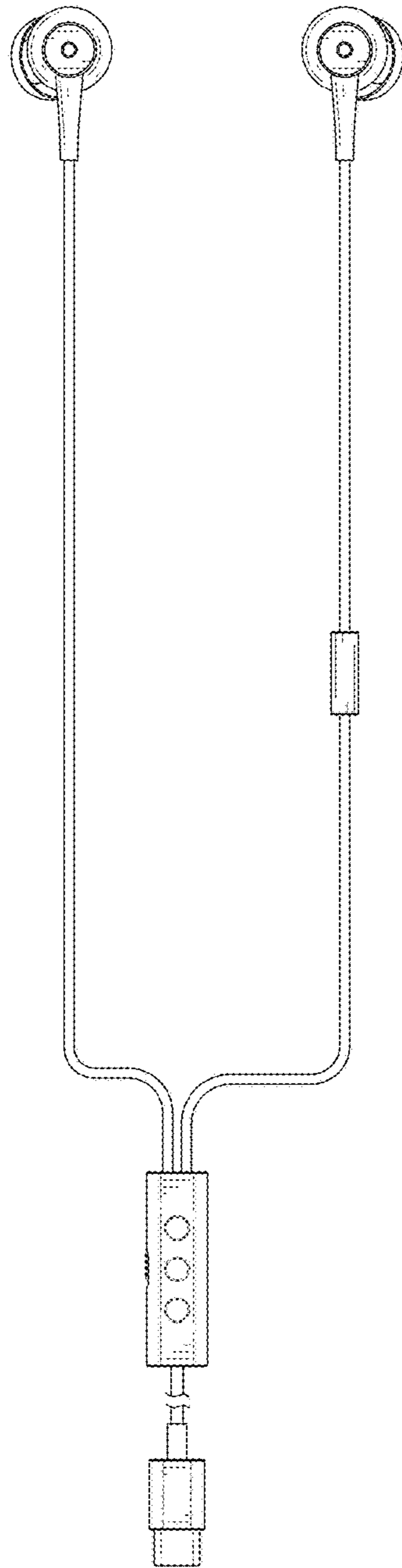


FIG. 4

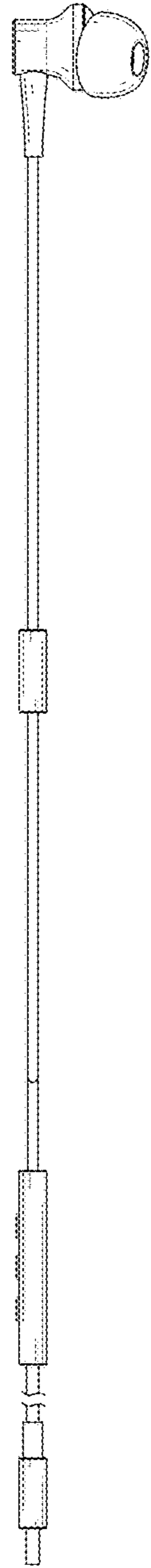


FIG. 5

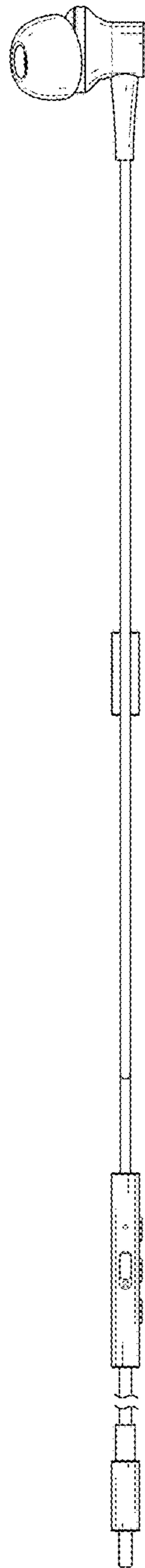


FIG. 6

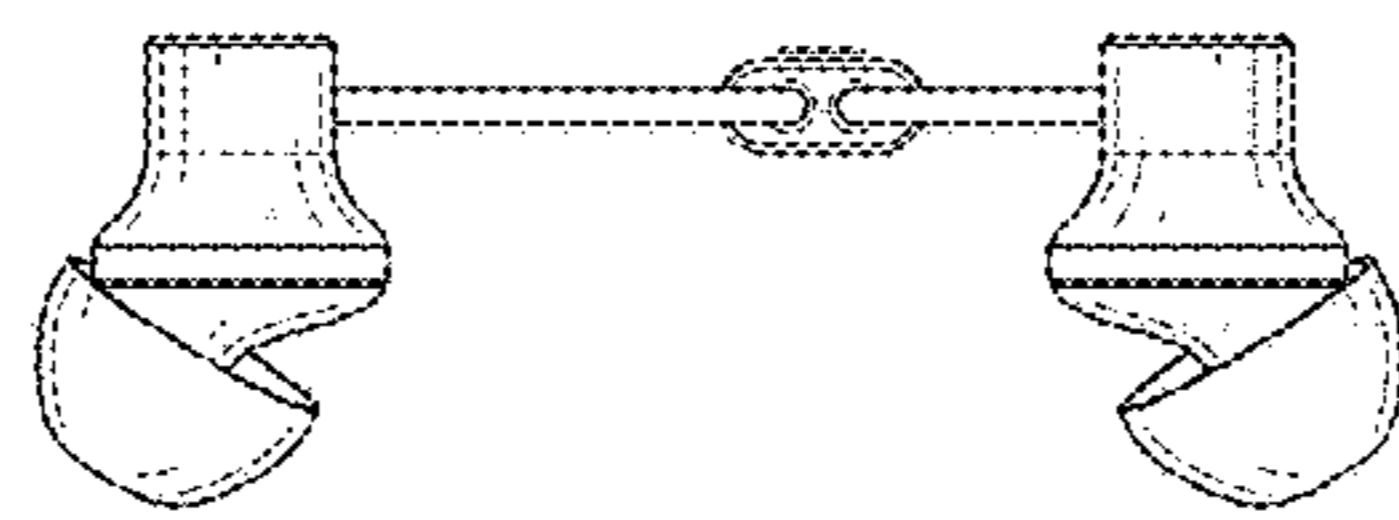


FIG. 7

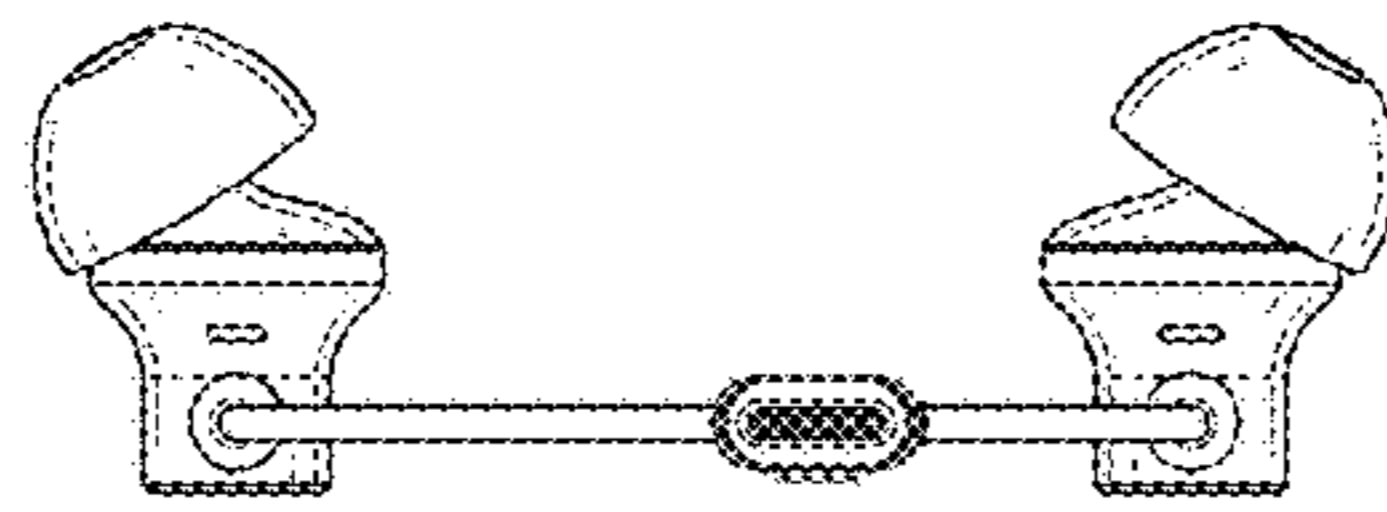


FIG. 8