



US00D850415S

(12) **United States Design Patent**  
**Kashimoto**

(10) **Patent No.:** **US D850,415 S**

(45) **Date of Patent:** **\*\* Jun. 4, 2019**

(54) **REMOTE CONTROLLER**

(71) Applicant: **Hiroko Kashimoto**, Osaka (JP)

(72) Inventor: **Hiroko Kashimoto**, Osaka (JP)

(73) Assignee: **DAIKIN INDUSTRIES LTD.**,  
Osaka-Shi, Osaka-Fu (JP)

(\*\*) Term: **15 Years**

(21) Appl. No.: **29/625,731**

(22) Filed: **Nov. 13, 2017**

(30) **Foreign Application Priority Data**

May 29, 2017 (JP) ..... 2017-011459

(51) **LOC (11) Cl.** ..... **14-03**

(52) **U.S. Cl.**  
USPC ..... **D14/218**

(58) **Field of Classification Search**  
USPC ..... D14/218, 374, 126, 371, 128, 239;  
D13/168, 162; D10/65, 50  
CPC ..... G07C 9/00103; G06F 3/0489  
See application file for complete search history.

(56) **References Cited**

**U.S. PATENT DOCUMENTS**

D416,910 S *	11/1999	Vasquez	.....	D14/218
D463,430 S *	9/2002	Goto	.....	D14/374
D509,198 S *	9/2005	Ahn	.....	D14/126
D510,918 S *	10/2005	Kubota	.....	D14/126
D549,673 S *	8/2007	Niitsu	.....	D14/126
D562,259 S *	2/2008	Kosche	.....	D13/162
D571,744 S *	6/2008	Wang	.....	D14/126
D573,562 S *	7/2008	Lee	.....	D14/126
D593,881 S *	6/2009	Endo	.....	D10/65
D600,695 S *	9/2009	Niitsu	.....	D14/371
D606,954 S *	12/2009	Yamaguchi	.....	D14/126
D614,975 S *	5/2010	Fisher	.....	D10/50
D623,606 S *	9/2010	Nakai	.....	D13/168
D630,169 S *	1/2011	Nakai	.....	D13/168

D635,556 S *	4/2011	Suzuki	.....	D14/218
D659,697 S *	5/2012	Munjas	.....	D14/450
D709,495 S *	7/2014	Akutsu	.....	D14/371
D709,496 S *	7/2014	Nakamura	.....	D14/371
D727,857 S *	4/2015	Acera	.....	D13/162
D763,203 S *	8/2016	Ikegaya	.....	D13/168

(Continued)

**FOREIGN PATENT DOCUMENTS**

EM	001975863-0001	*	1/2014
EM	002583625-0001	*	11/2014

(Continued)

**OTHER PUBLICATIONS**

Home Thermostats Daikin website 2019, site visited Jan. 19, 2019,  
<https://daikincomfort.com/products/thermostats-controls>.\*

*Primary Examiner* — John Windmuller

*Assistant Examiner* — John R Yeh

(74) *Attorney, Agent, or Firm* — Manabu Kanesaka

(57) **CLAIM**

The ornamental design for remote controller, as shown and described.

**DESCRIPTION**

FIG. 1 is a perspective view of a remote controller showing my new design;

FIG. 2 is a front view thereof;

FIG. 3 is a rear view thereof;

FIG. 4 is a plan view thereof;

FIG. 5 is a bottom view thereof;

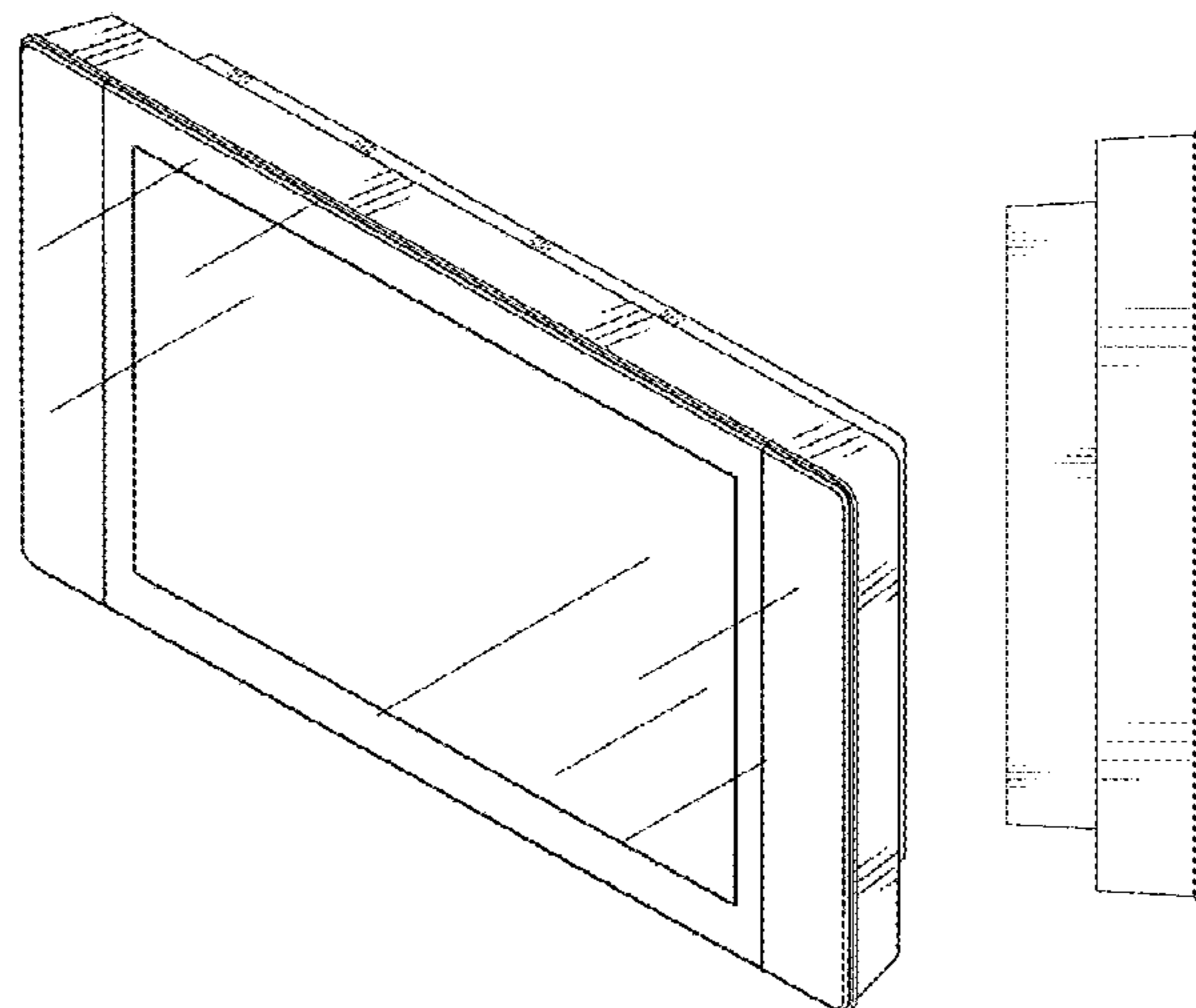
FIG. 6 is a left side view thereof;

FIG. 7 is a right side view thereof; and,

FIG. 8 is a cross-sectional view thereof along the line 8-8 in FIG. 2.

The broken lines depict portions of the remote controller that form no part of claimed design.

**1 Claim, 3 Drawing Sheets**



(56)

**References Cited**

U.S. PATENT DOCUMENTS

D806,690 S \* 1/2018 Schimon ..... D14/239  
D827,585 S \* 9/2018 Sato ..... D13/168  
D837,786 S \* 1/2019 Okumura ..... D14/371

FOREIGN PATENT DOCUMENTS

EM 004101632-0001 \* 8/2017  
WO WO D089977-001 \* 9/2016

\* cited by examiner

Fig.1

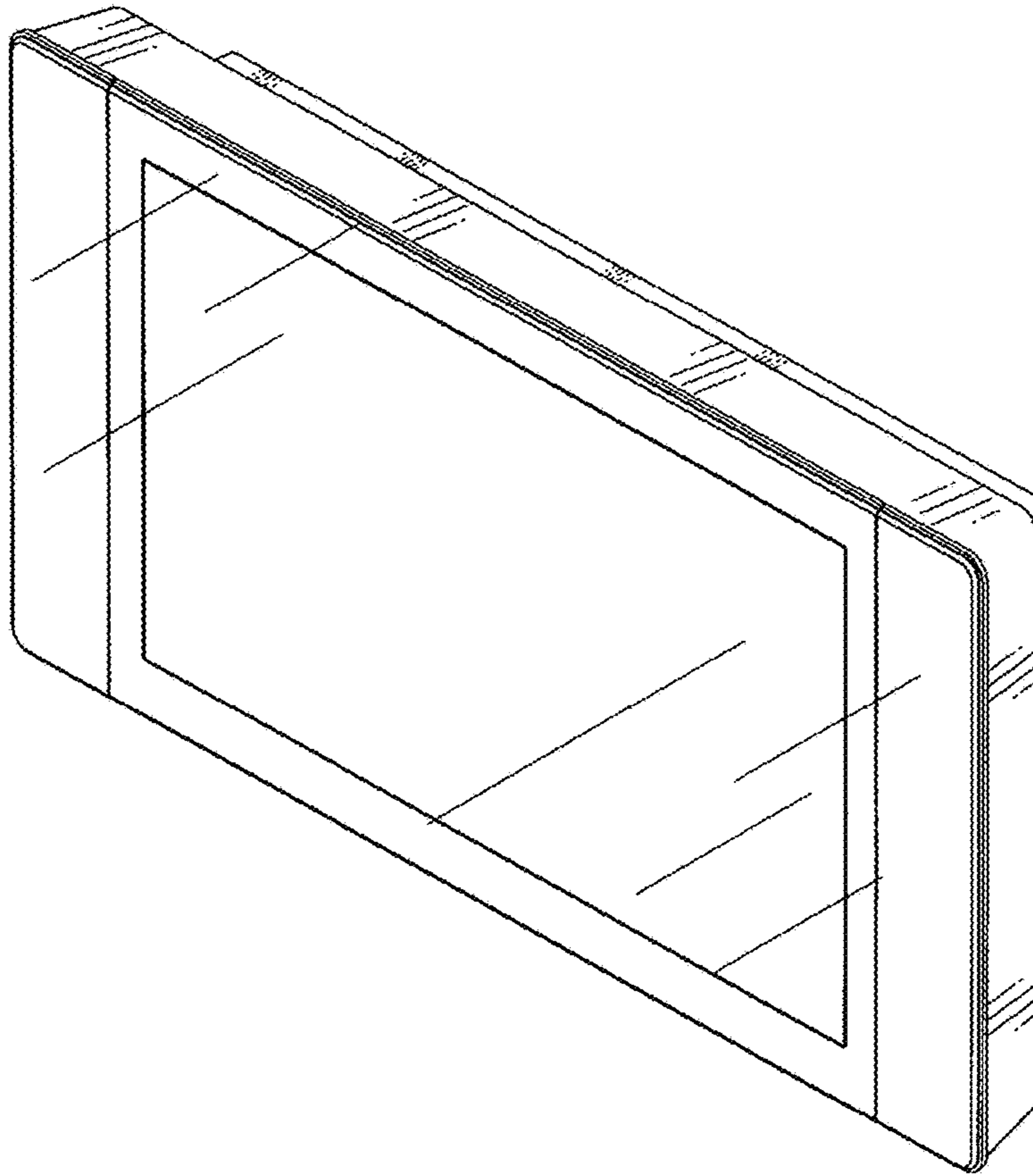


Fig.2

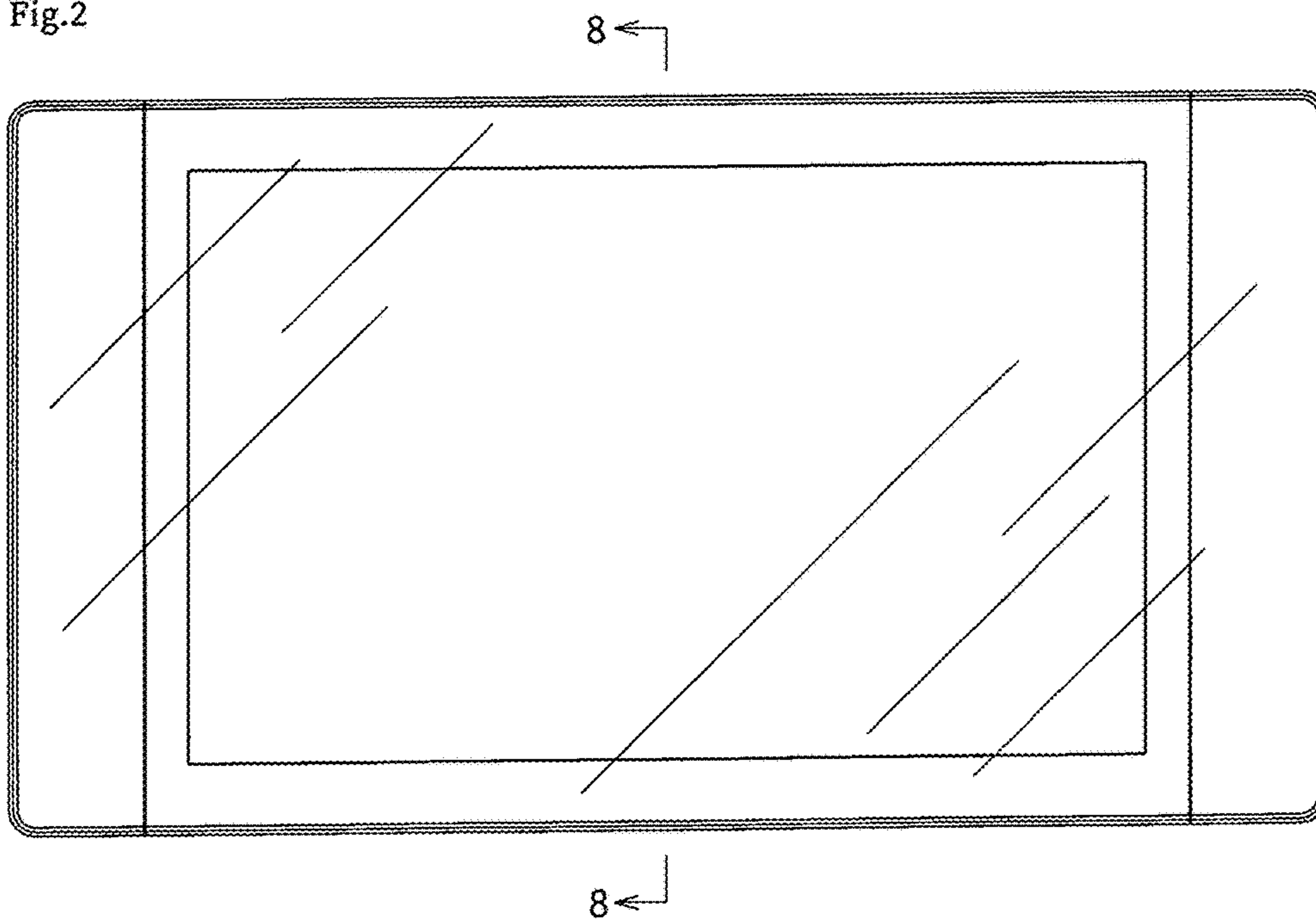


Fig.3

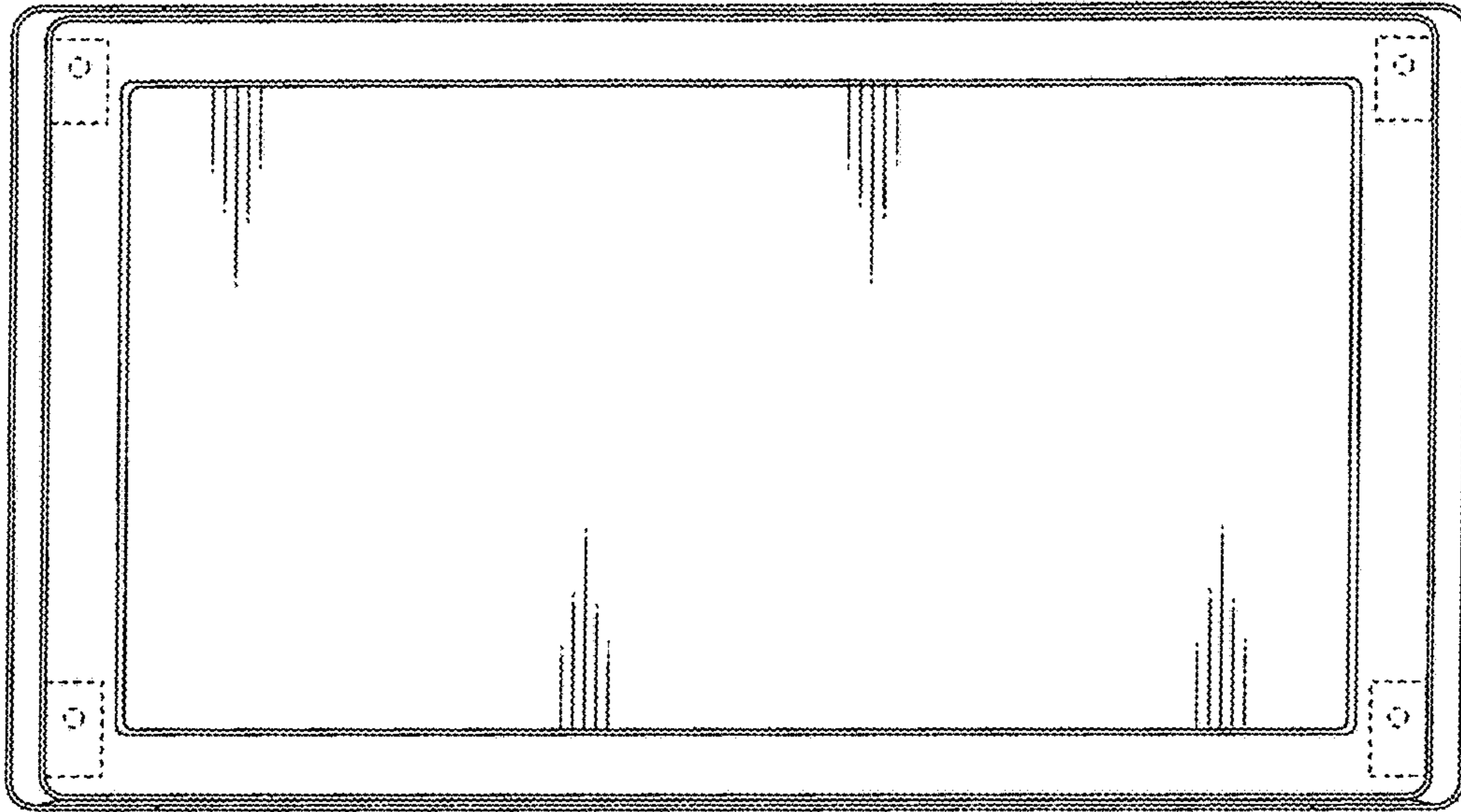


Fig.4

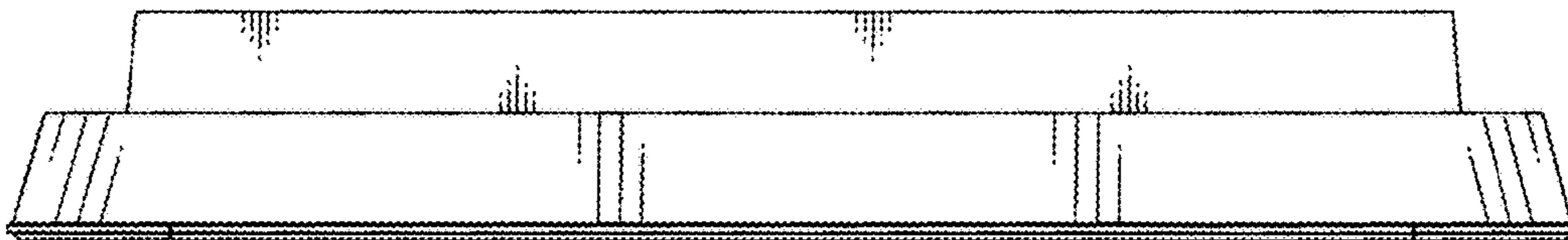


Fig.5

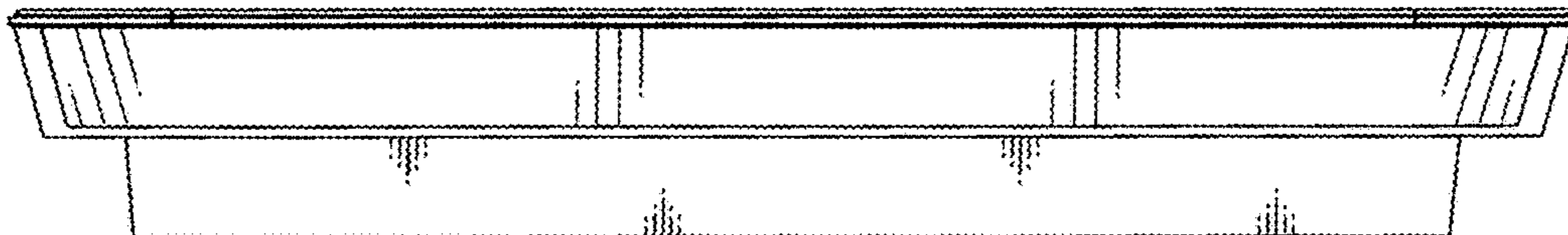


Fig.6

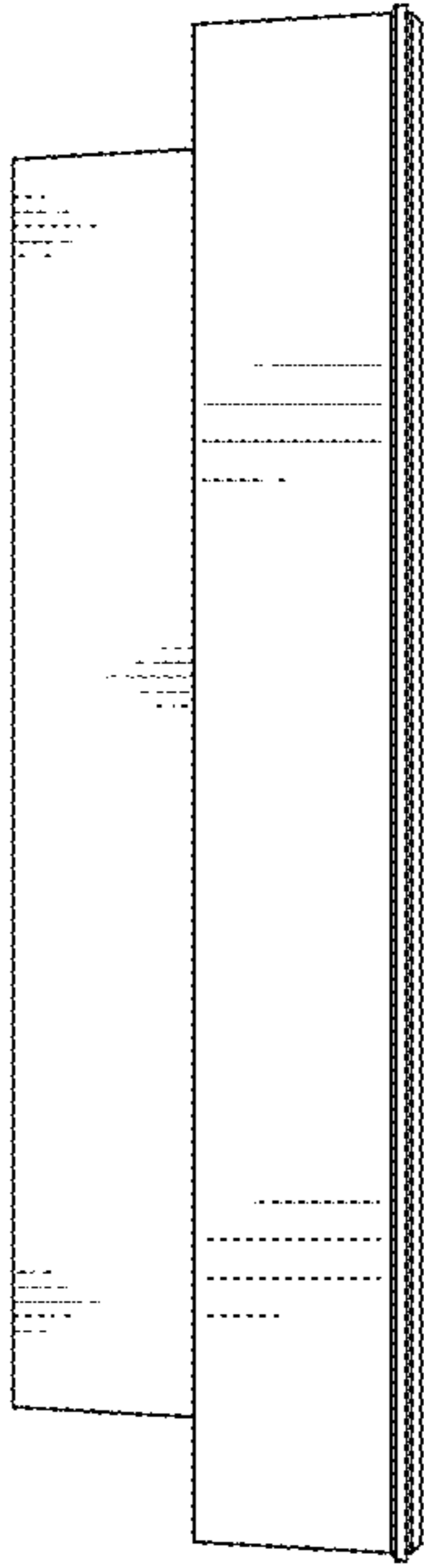


Fig.7

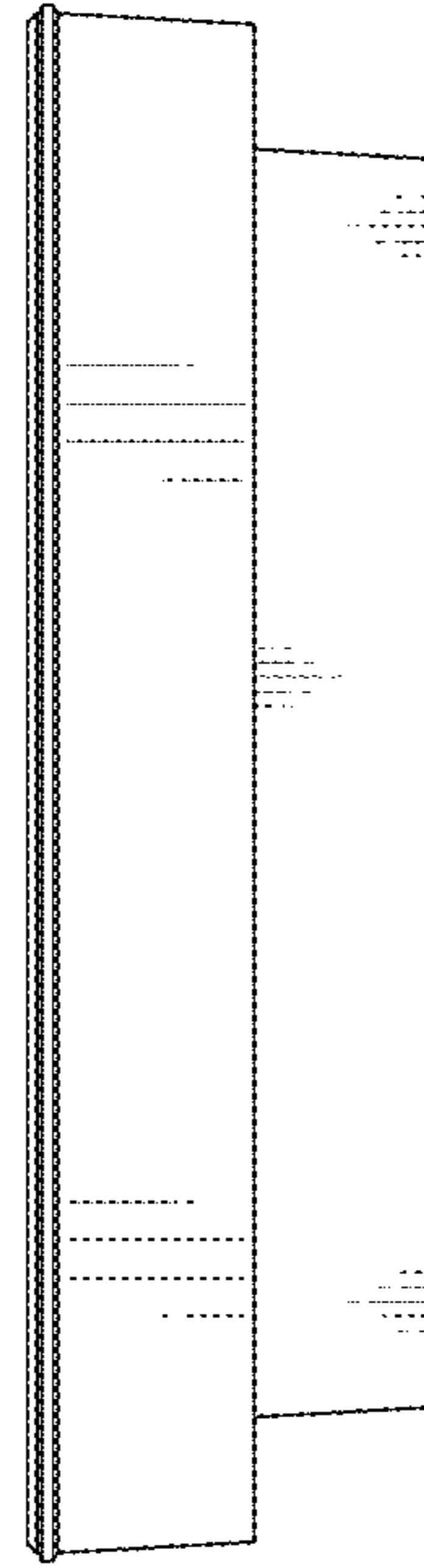


Fig.8

