



US00D850414S

(12) **United States Design Patent** (10) **Patent No.:** **US D850,414 S**  
**Desagre et al.** (45) **Date of Patent:** **\*\* Jun. 4, 2019**

- (54) **REMOTE CONTROL**
- (71) Applicant: **SOMFY SAS**, Cluses (FR)
- (72) Inventors: **Thomas Desagre**, Lyons (FR); **Frederic Strubi**, Lyons (FR); **Philippe Bajard**, Lyons (FR)
- (73) Assignee: **SOMFY SAS**, Cluses (FR)
- (\*\*) Term: **15 Years**
- (21) Appl. No.: **29/613,444**
- (22) Filed: **Aug. 10, 2017**

5,949,407 A	9/1999	Sato	
D433,404 S	11/2000	Thakur	
D491,922 S *	6/2004	Poulet	D14/218
D531,585 S *	11/2006	Weitgasser	D13/168
D541,226 S *	4/2007	Wakisaka	D13/168
D548,195 S	8/2007	Poulet	

(Continued)

**FOREIGN PATENT DOCUMENTS**

EM	000483532-001	3/2006
WO	WO D061262-002	10/2002

(Continued)

**OTHER PUBLICATIONS**

SIMU tech guide download, dated 2017, site visited Nov. 22, 2017, simu.com.\*

(Continued)

*Primary Examiner* — John Windmuller  
*Assistant Examiner* — John R Yeh  
(74) *Attorney, Agent, or Firm* — Haug Partners LLP;  
William S. Frommer

**Related U.S. Application Data**

- (62) Division of application No. 29/539,963, filed on Sep. 18, 2015, now Pat. No. Des. 798,272.

**Foreign Application Priority Data**

Mar. 20, 2015 (WO) ..... DM/085946

- (51) **LOC (11) Cl.** ..... **14-03**
- (52) **U.S. Cl.**  
USPC ..... **D14/218**
- (58) **Field of Classification Search**  
USPC ..... D14/218; D13/168, 108; D6/682, 675;  
D3/222, 218  
CPC ..... B65D 85/00  
See application file for complete search history.

(57) **CLAIM**

The ornamental design for a remote control, as shown and described.

**DESCRIPTION**

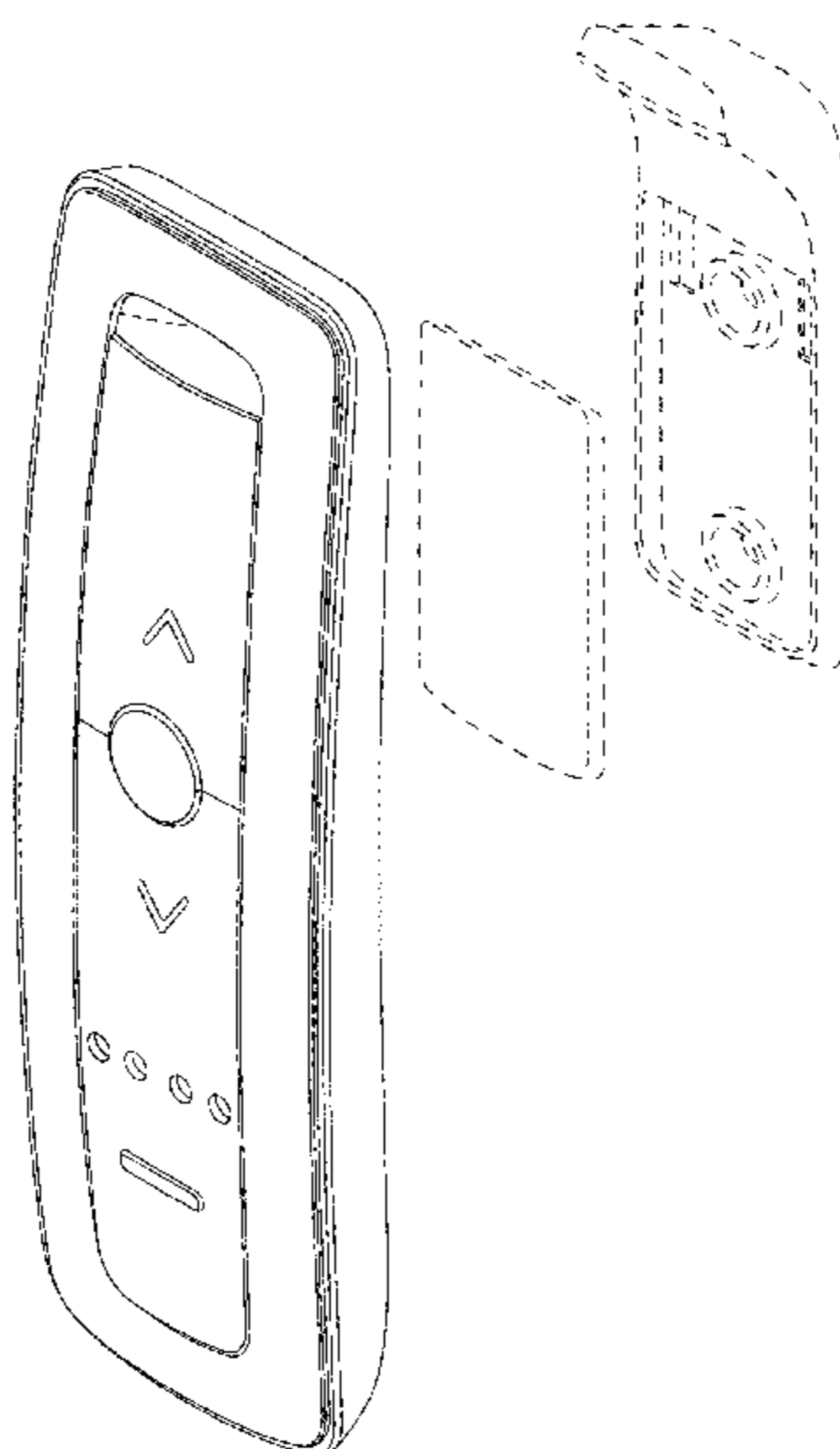
FIG. 1 is a perspective exploded view of a remote control according to our invention;  
FIG. 2 is a front view thereof;  
FIG. 3 is a left side view thereof;  
FIG. 4 is a right side view thereof;  
FIG. 5 is a back view thereof;  
FIG. 6 is a bottom view thereof; and,  
FIG. 7 is a top view thereof.  
The broken lines in the figures represent portions of the remote control which form no part of the claimed design.

(56) **References Cited**

**U.S. PATENT DOCUMENTS**

D271,302 S	11/1983	Manning	
D278,333 S	4/1985	Takata	
D330,522 S *	10/1992	Mokhtarian	D10/104.1
D334,043 S *	3/1993	Taniguchi	D14/218
5,367,316 A *	11/1994	Ikezaki	G06F 3/033 345/158
D385,541 S	10/1997	Taylor	

**1 Claim, 4 Drawing Sheets**



(56)

References Cited

U.S. PATENT DOCUMENTS

D560,617 S 1/2008 Poulet  
 D569,813 S 5/2008 Charleux  
 D593,999 S 6/2009 Mauritzsson  
 D595,669 S 7/2009 Endo  
 D602,919 S 10/2009 Bodley  
 D606,980 S 12/2009 Bradford  
 7,705,746 B2\* 4/2010 Pittard ..... G08C 17/02  
 340/12.24  
 D629,764 S 12/2010 De Swarte  
 7,962,040 B2 6/2011 Yoshikawa  
 D666,561 S 9/2012 Sun  
 D670,659 S 11/2012 Ishikawa  
 D687,416 S \* 8/2013 Lee ..... D14/218  
 D688,214 S 8/2013 Ducret  
 D697,500 S \* 1/2014 Tsai ..... D14/218  
 D704,166 S \* 5/2014 Sung ..... D14/218  
 D709,837 S 7/2014 Charleux  
 D710,808 S 8/2014 Charleux  
 D712,873 S 9/2014 Krauss  
 D716,268 S 10/2014 Yamamoto  
 D719,935 S 12/2014 Diamond  
 D729,209 S 5/2015 McManigal  
 D743,381 S \* 11/2015 Pi ..... D14/218  
 D747,293 S \* 1/2016 Mistry ..... D13/168  
 D756,334 S \* 5/2016 Ducret ..... D14/218  
 D763,204 S \* 8/2016 Ikegaya ..... D13/168

D767,538 S \* 9/2016 Shimonishi ..... D14/218  
 D780,719 S \* 3/2017 Gassner ..... D14/218  
 D784,960 S \* 4/2017 Gassner ..... D14/218  
 D788,077 S \* 5/2017 Ducret ..... D14/218  
 D798,272 S \* 9/2017 Desagre ..... D14/218  
 D798,275 S \* 9/2017 Huang ..... D14/218  
 D798,841 S \* 10/2017 Park ..... D14/218  
 D801,311 S \* 10/2017 Akana ..... D14/218  
 2014/0254848 A1 9/2014 Petterson

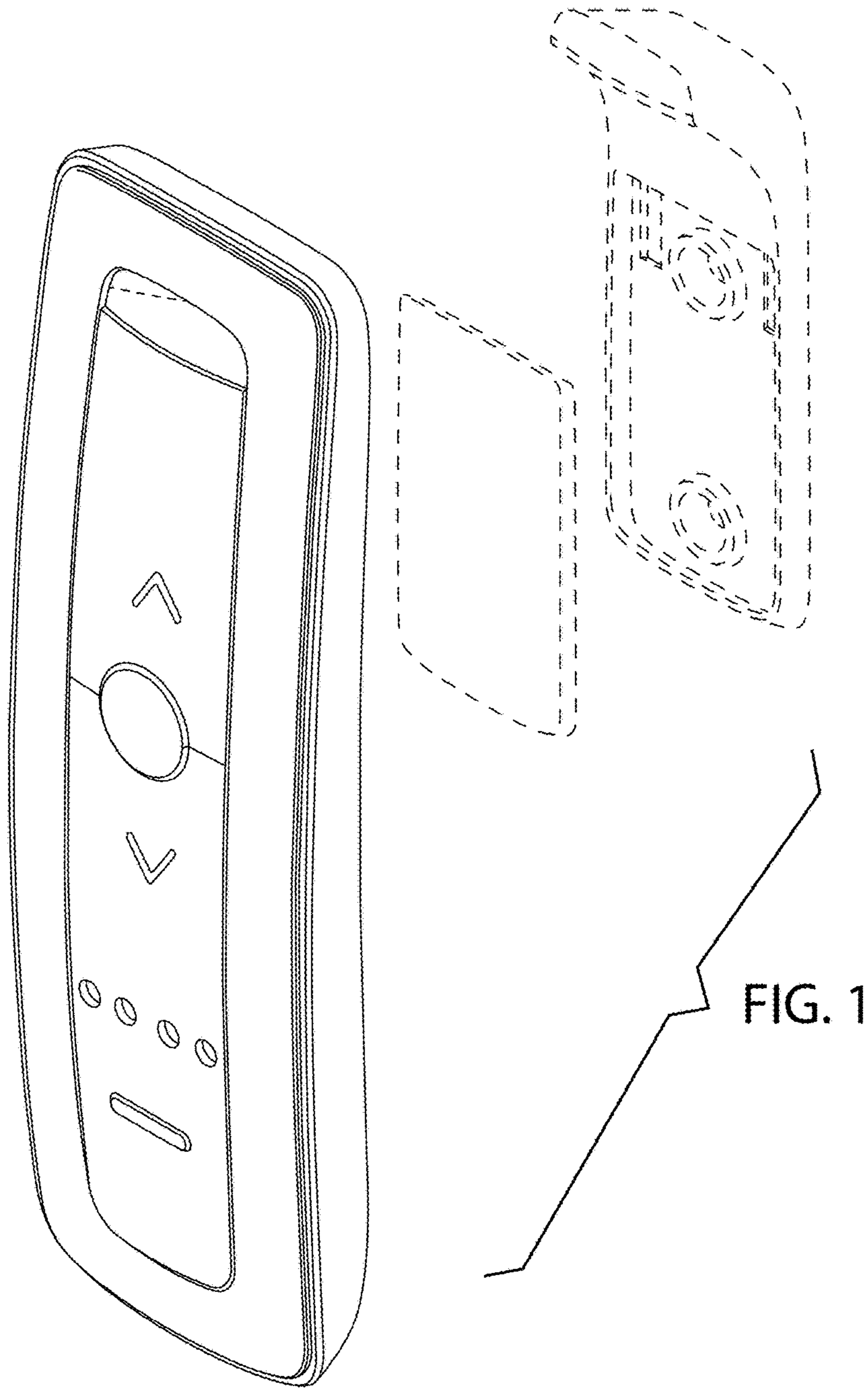
FOREIGN PATENT DOCUMENTS

WO WO D085580-001 \* 8/2015  
 WO WO D085580-002 8/2015

OTHER PUBLICATIONS

Telis 16 RTS Hand Held Remote for Somfy Motors, website 2017, <https://www.somfysystems.com/products/1811081/telis-16-rts>, site visited Nov. 23, 2017.\*  
 Amazon.com: Panasonic ErgoFit In-Ear Earbuds Headphones with Mid/Controller, review date Nov. 18, 2013, [http://amazon.com/...nasonic-Headphones-Controller-RP-TCM125-W-Compatible/dp/B00E4LGUIY/ref=sr\\_1\\_136?ie=UTF&qid=1473816589&sr=8-136&keywords=audio+controller](http://amazon.com/...nasonic-Headphones-Controller-RP-TCM125-W-Compatible/dp/B00E4LGUIY/ref=sr_1_136?ie=UTF&qid=1473816589&sr=8-136&keywords=audio+controller), [site visited Sep. 13, 2016 9:32:39 PM].

\* cited by examiner



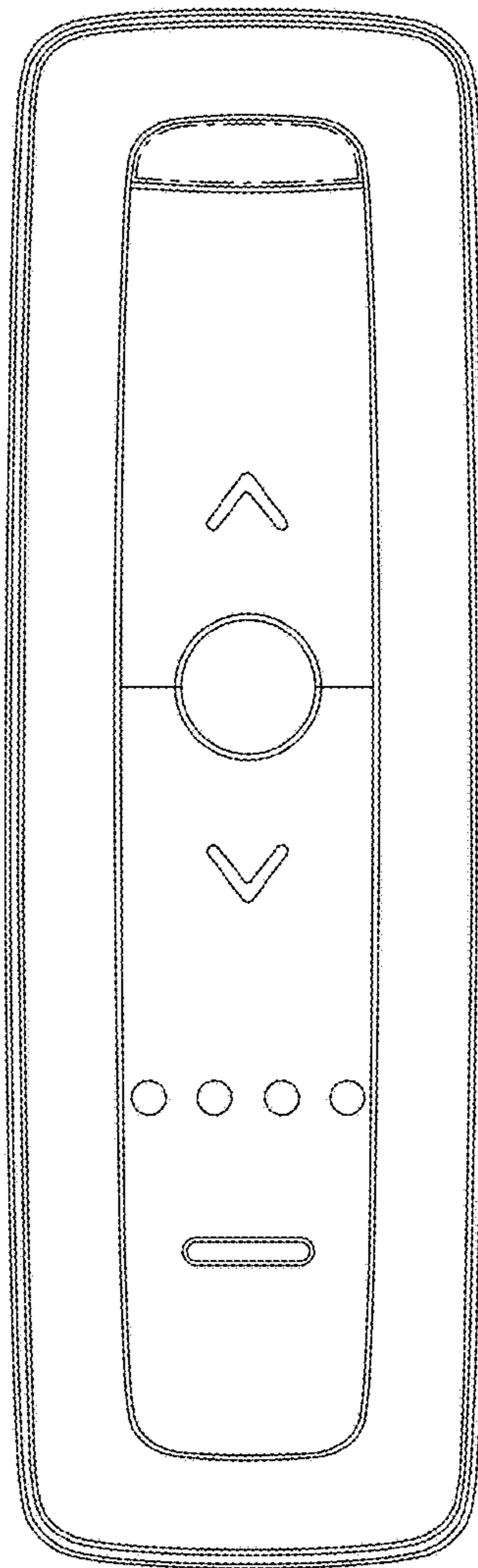


FIG. 2



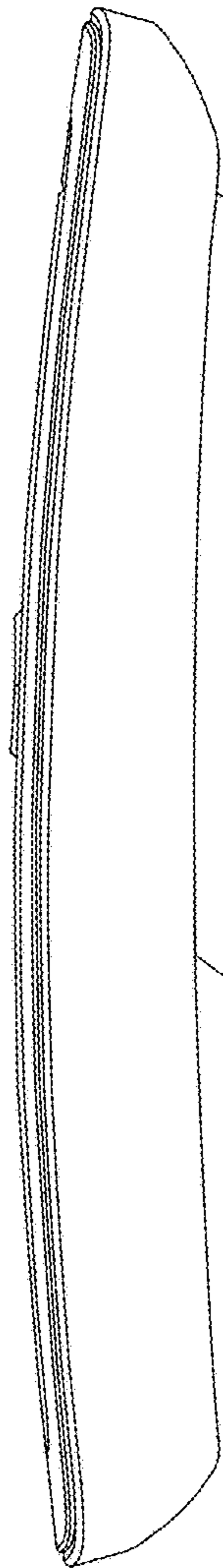


FIG. 3

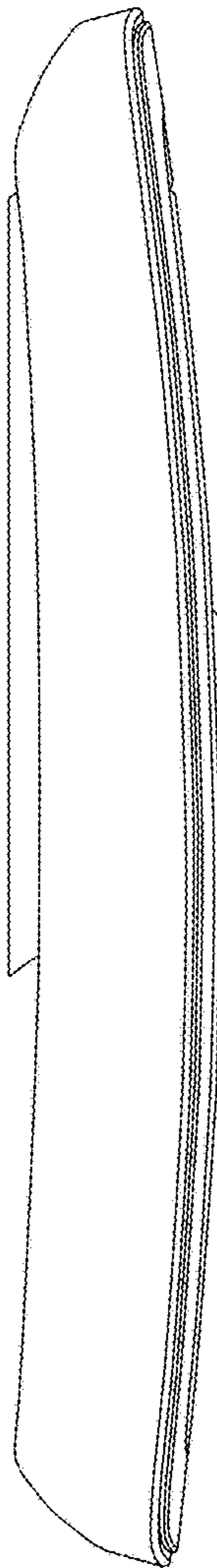


FIG. 4

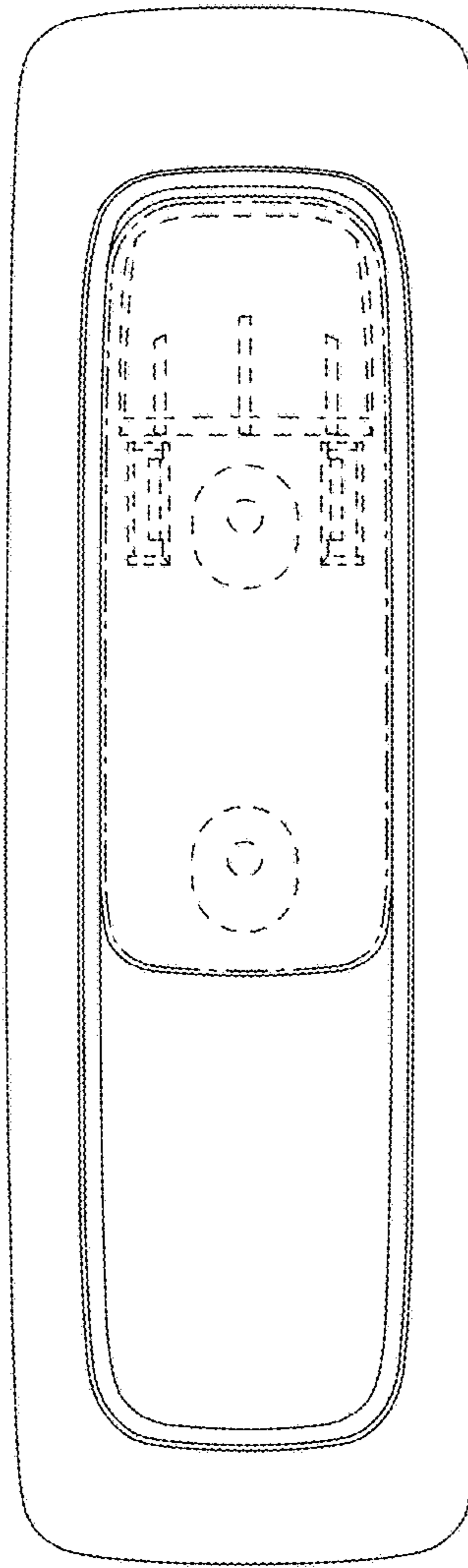


FIG. 5

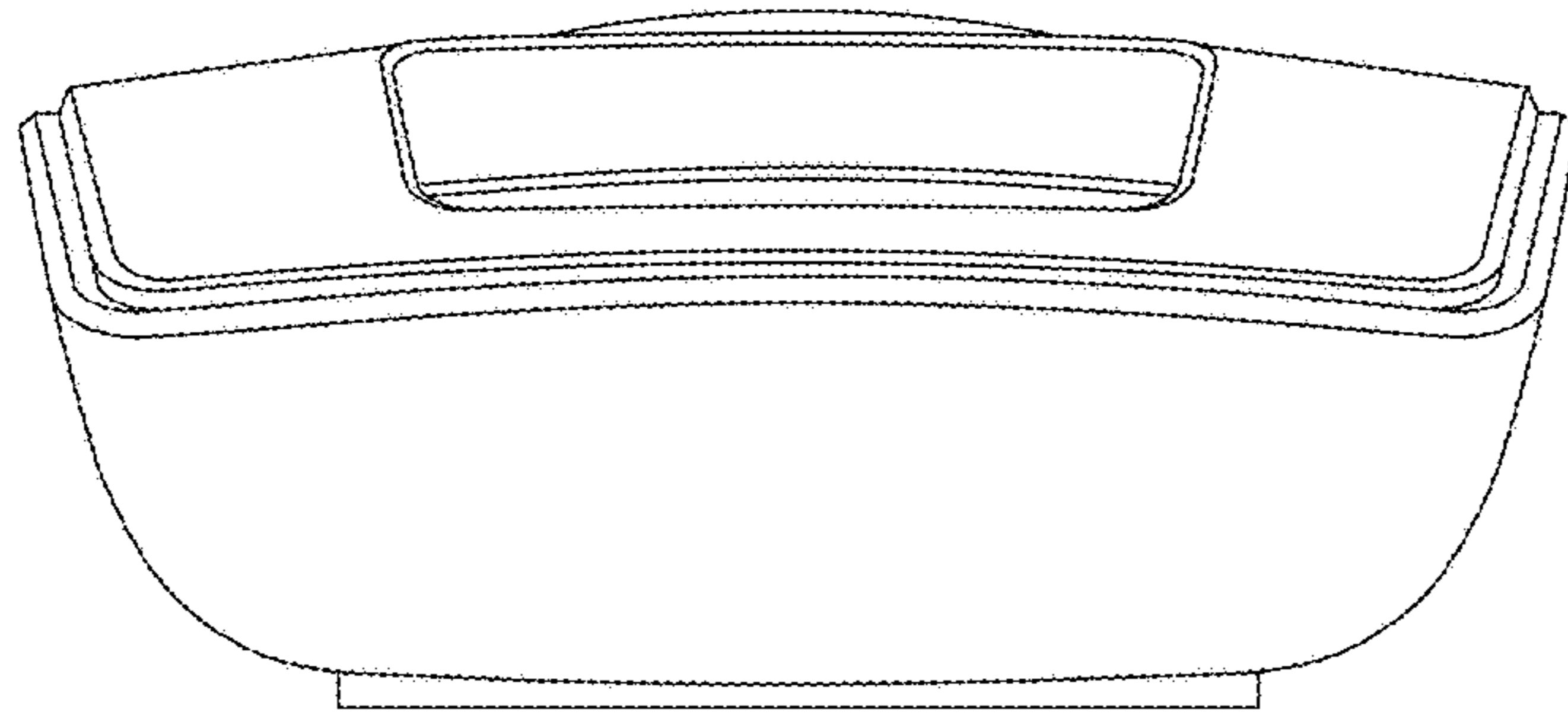


FIG. 6

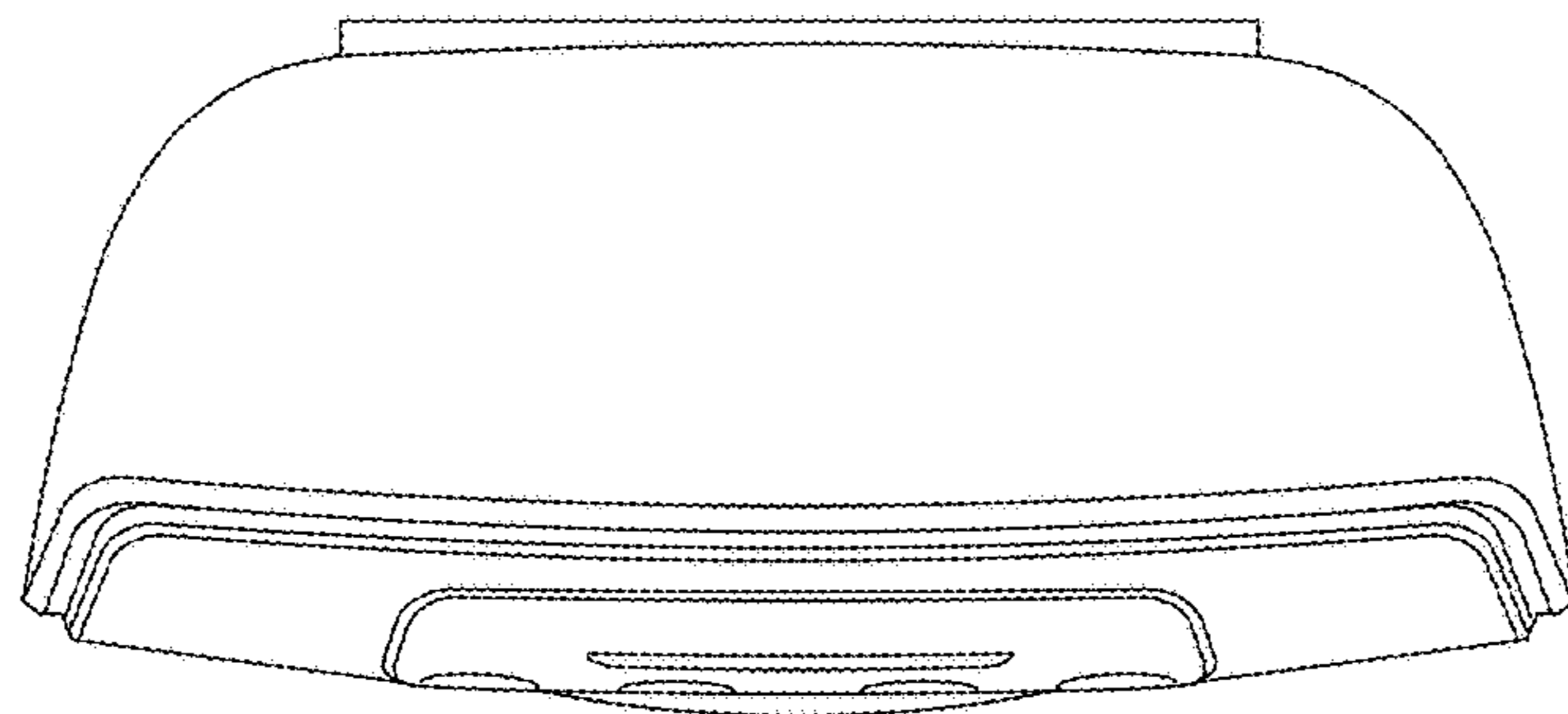


FIG. 7