



US00D850412S

(12) **United States Design Patent** (10) **Patent No.:** **US D850,412 S**
Ito et al. (45) **Date of Patent:** **** Jun. 4, 2019**

(54) **CONTROLLER**

(71) Applicant: **YAMAHA CORPORATION**,
Hamamatsu-shi (JP)

(72) Inventors: **Masafumi Ito**, Hamamatsu (JP);
Takashi Honda, Nagakute (JP)

(73) Assignee: **YAMAHA CORPORATION**,
Hamamatsu-shi, Shizuoka (JP)

(**) Term: **15 Years**

(21) Appl. No.: **29/612,419**

(22) Filed: **Aug. 1, 2017**

(30) **Foreign Application Priority Data**

Feb. 3, 2017 (JP) 2017-001960

(51) **LOC (11) Cl.** **14-03**

(52) **U.S. Cl.**
USPC **D14/218**

(58) **Field of Classification Search**
USPC D14/218, 390, 159; D13/168, 164, 174,
D13/177, 162; D10/50
See application file for complete search history.

(56) **References Cited**

U.S. PATENT DOCUMENTS

D331,054 S	*	11/1992	Brahler	D14/159
D386,990 S	*	12/1997	Gee, II	D10/50
D390,211 S	*	2/1998	Yates	D14/341
D394,656 S	*	5/1998	Kato	D14/159
D470,114 S	*	2/2003	Amborn	D10/49
D505,127 S	*	5/2005	Yoshida	D14/159
D531,527 S	*	11/2006	Moore	D10/50
D534,089 S	*	12/2006	Disselkoen	D10/50
D562,306 S	*	2/2008	Jeong	D14/159
D595,160 S	*	6/2009	Fisher	D10/50
D595,260 S	*	6/2009	Takahata	D14/159
D629,764 S	*	12/2010	de Swarte	D13/168

D666,509 S	*	9/2012	Beland	D10/50
D681,011 S	*	4/2013	Cheung	D14/218
D711,344 S	*	8/2014	Aarrestad	D14/140
D714,743 S	*	10/2014	Chambers	D13/174
D717,250 S	*	11/2014	Chambers	D13/174
D761,756 S	*	7/2016	Michielan	D14/159

(Continued)

FOREIGN PATENT DOCUMENTS

JP D1589823 * 2/2017

OTHER PUBLICATIONS

Yamaha MCP1 Wall Mount Controller Manual copyright 2017, front and back pages, site visited Jan. 2, 2019, https://data2.manualslib.com/pdf6/129/12807/1280614-yamaha/mcp1.pdf?b7335db390630d7a4de39381a3432abc&take=binary.*

(Continued)

Primary Examiner — John Windmuller

Assistant Examiner — John R Yeh

(74) *Attorney, Agent, or Firm* — Sughrue Mion, PLLC

(57) **CLAIM**

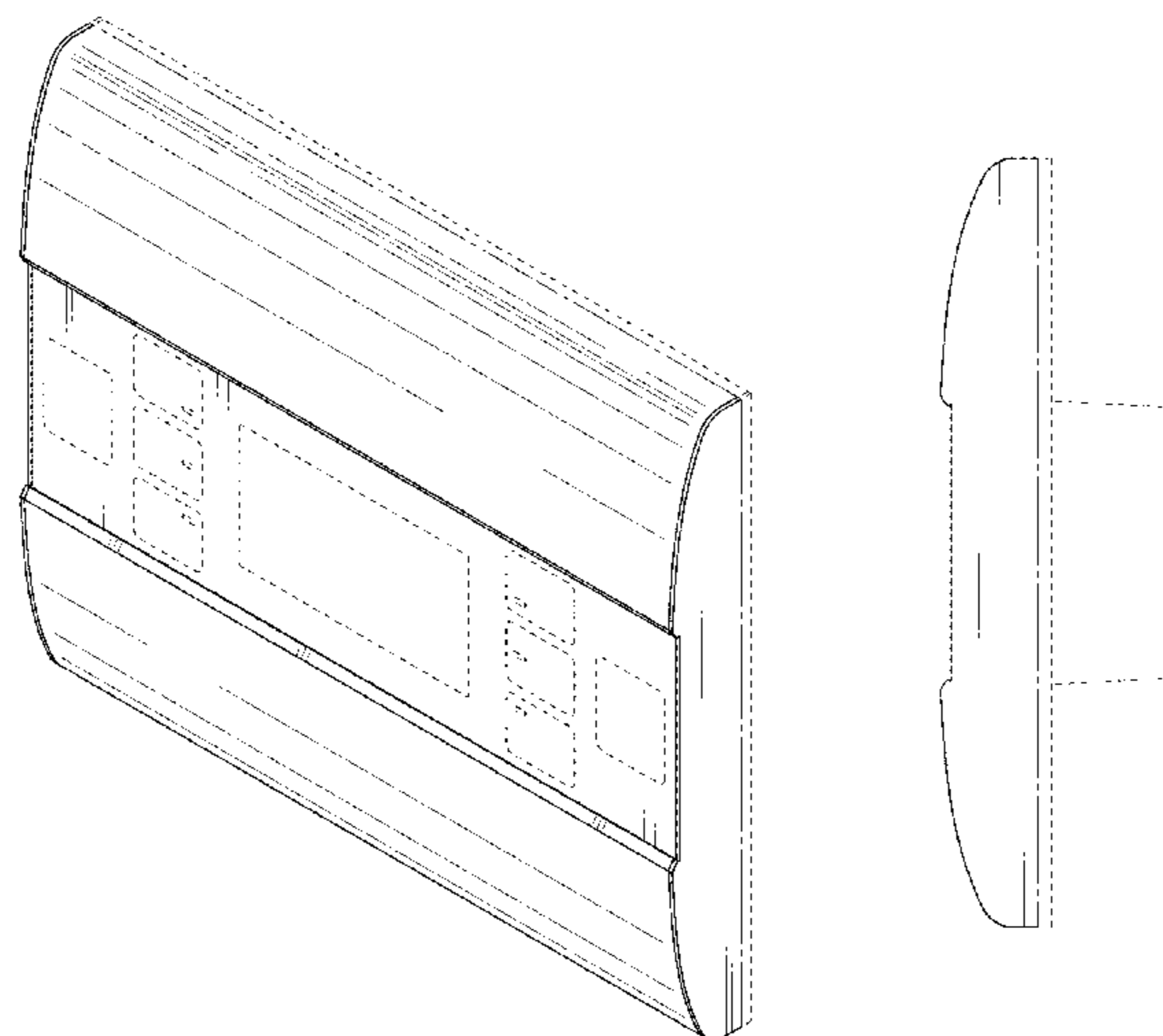
The ornamental design for a controller, as shown and described.

DESCRIPTION

FIG. 1 is a perspective view of the front, top and right side of a controller showing our new design;
FIG. 2 is a front view thereof;
FIG. 3 is a rear view thereof;
FIG. 4 is a left side view thereof;
FIG. 5 is a right side view thereof;
FIG. 6 is a top plan view thereof; and,
FIG. 7 is a bottom view thereof.

The regular broken lines and dot-dash line around the top, sides, and bottom represent portions of the controller that form no part of the claimed design.

1 Claim, 5 Drawing Sheets



(56)

References Cited

U.S. PATENT DOCUMENTS

D761,758 S * 7/2016 Michielan D14/159
D763,204 S * 8/2016 Ikegaya D13/168
D792,789 S * 7/2017 Read D10/50
D833,402 S * 11/2018 Lundy D13/162
2007/0241929 A1 * 10/2007 Marchetto H01H 9/0235
340/13.24

OTHER PUBLICATIONS

Yamaha MCP1 | 6 Button MTX/MRX Series Wall Mount Controller, AVL gear website 2019, <https://www.avlgear.com/yamaha-mcp1-6-button-mtx-mrx-series-wall-mount-controller> , site visited Jan. 2, 2019.*

* cited by examiner

Fig. 1

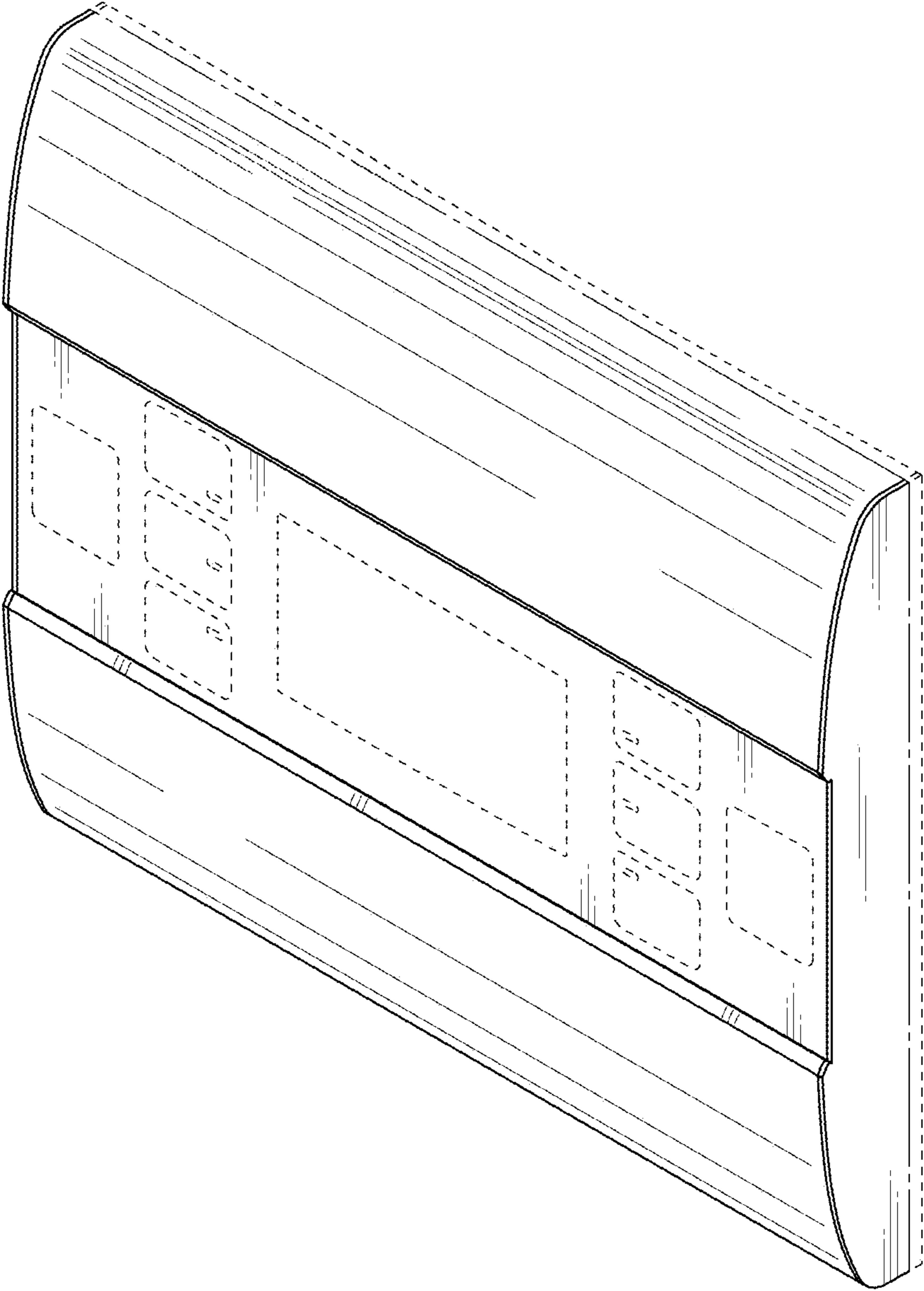


Fig. 2

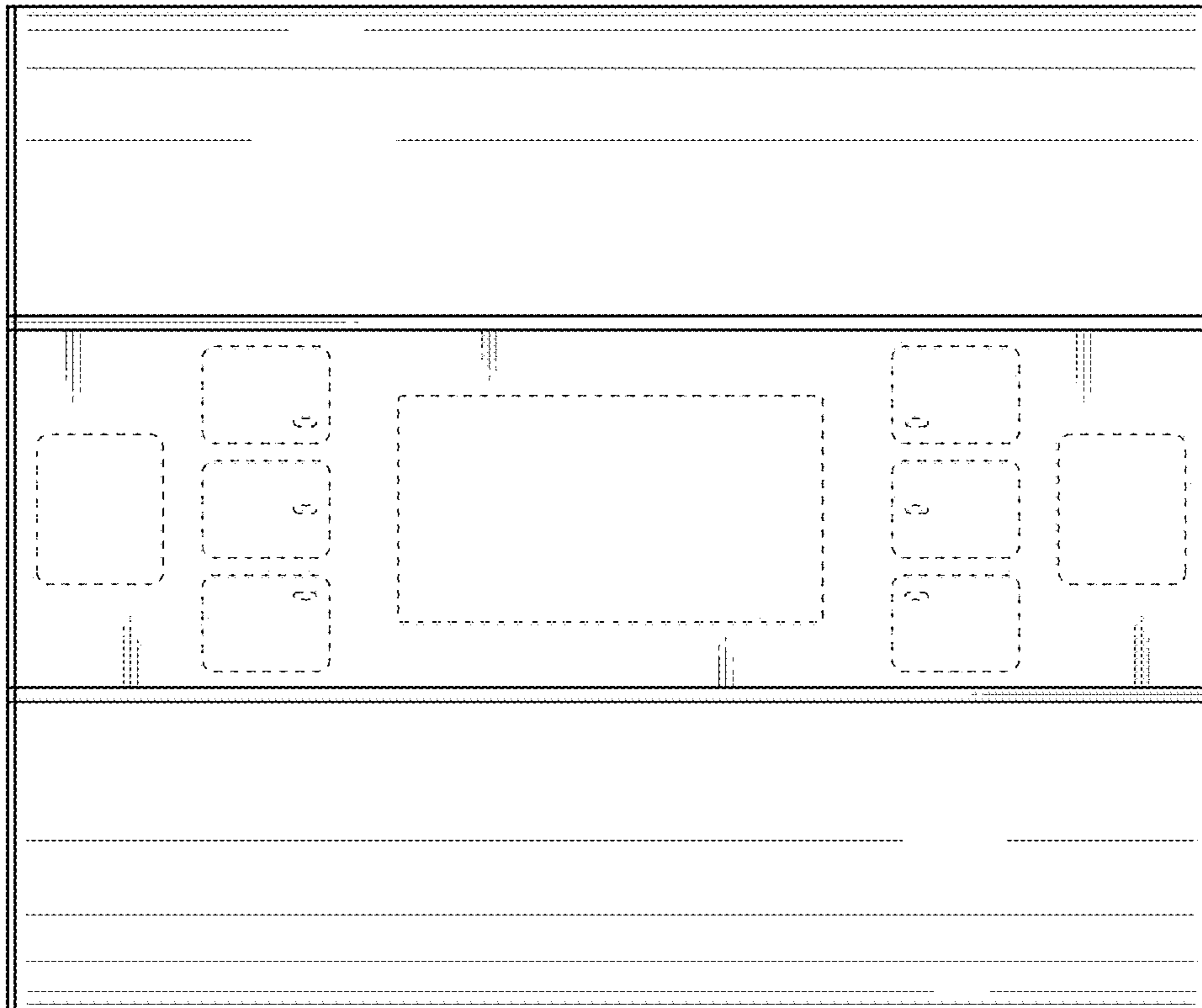


Fig. 3

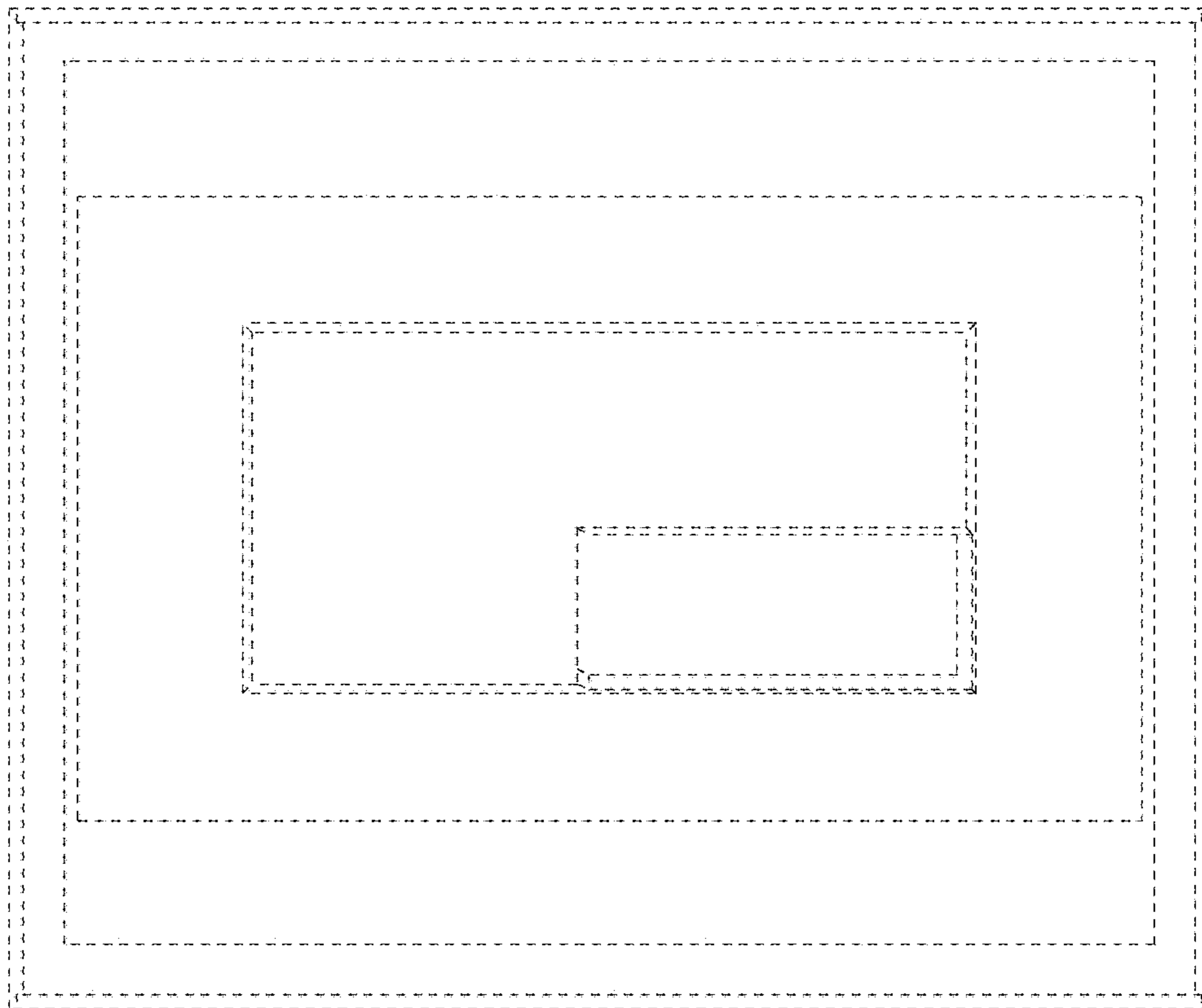


Fig. 4

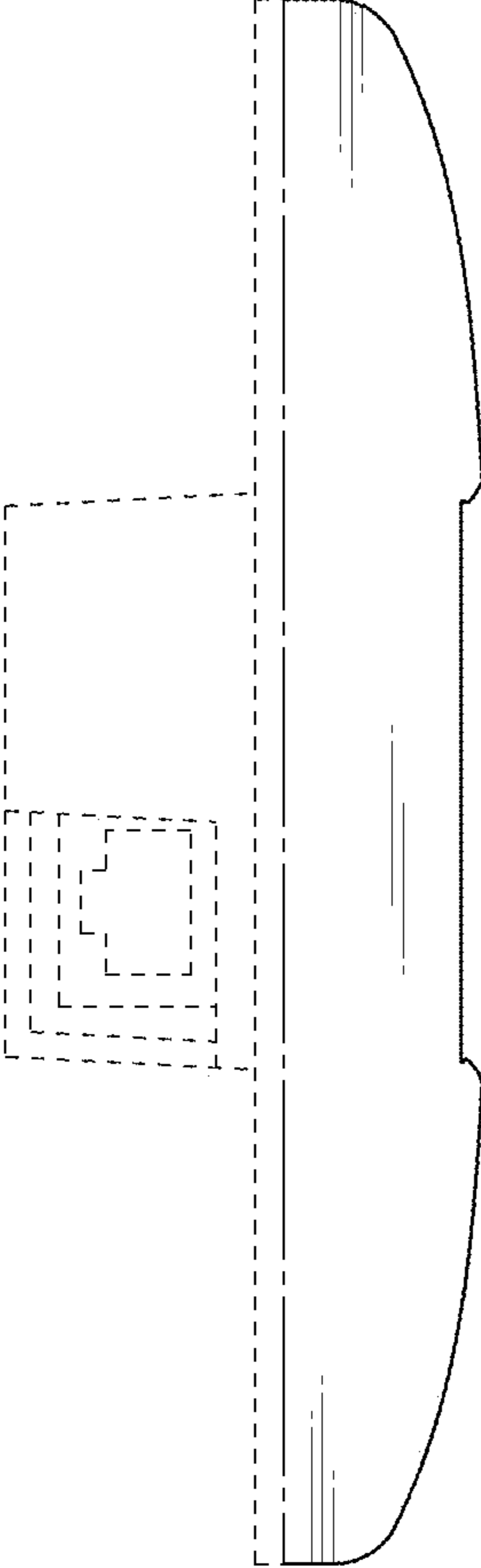


Fig. 5

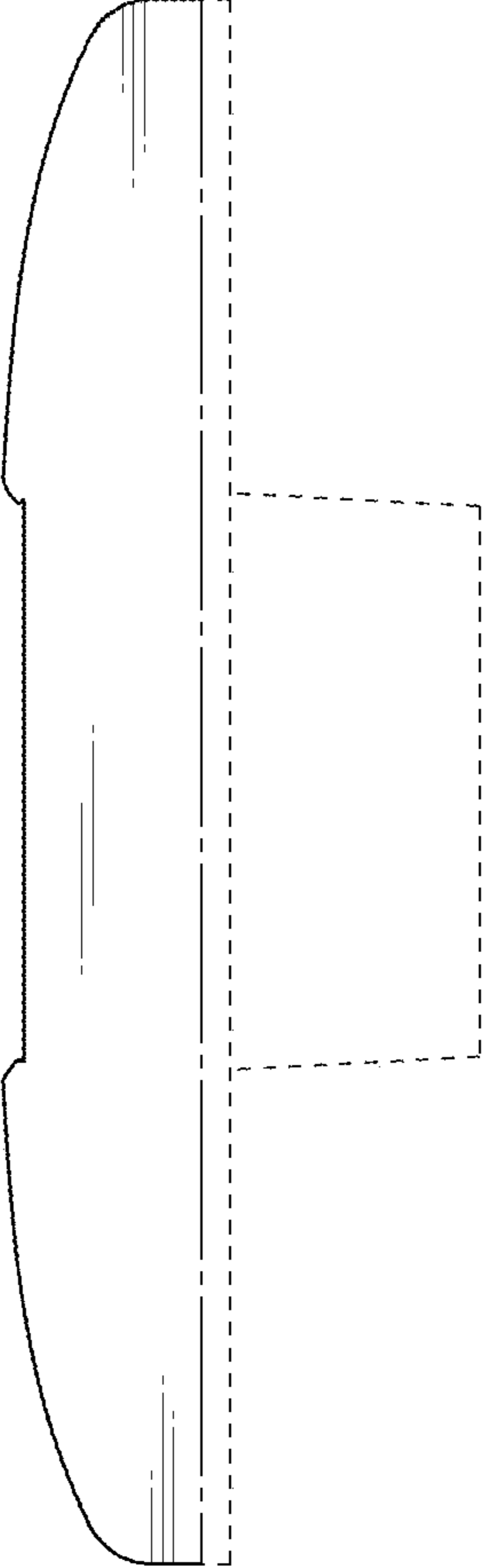


Fig. 6

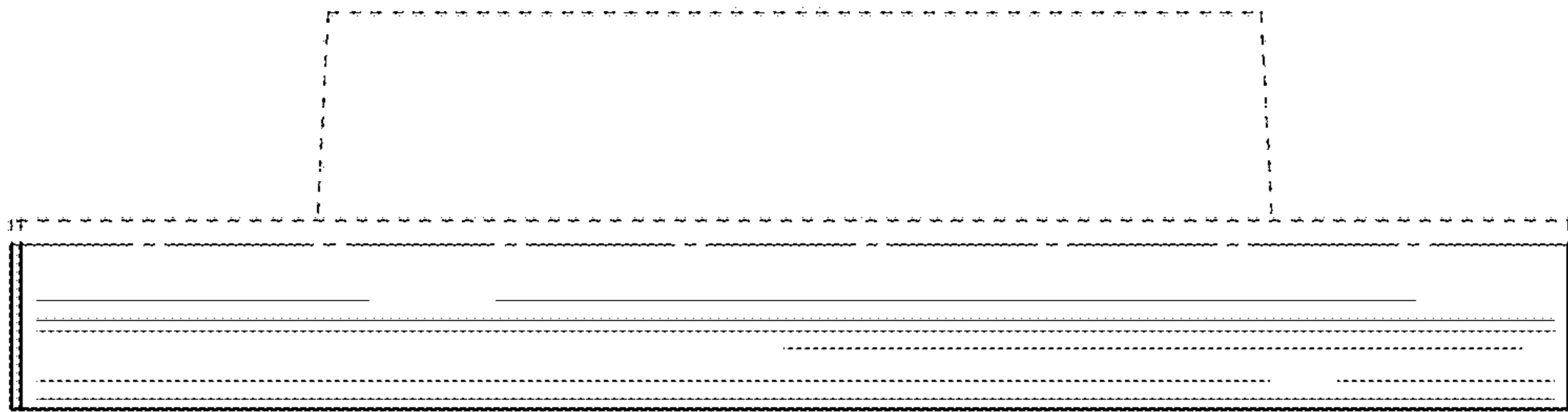


Fig. 7

