



US00D850410S

(12) **United States Design Patent**
Au Yeung

(10) **Patent No.:** **US D850,410 S**

(45) **Date of Patent:** **** Jun. 4, 2019**

(54) **MULTI-FUNCTIONAL BLUETOOTH SOUND EQUIPMENT**

(71) Applicant: **Kwok Keung Au Yeung**, Hong Kong (HK)

(72) Inventor: **Kwok Keung Au Yeung**, Hong Kong (HK)

(**) Term: **15 Years**

(21) Appl. No.: **29/597,064**

(22) Filed: **Mar. 14, 2017**

(30) **Foreign Application Priority Data**

Nov. 18, 2016 (CN) 2016 3 0560443

(51) **LOC (11) Cl.** **14-01**

(52) **U.S. Cl.**
USPC **D14/216**

(58) **Field of Classification Search**
USPC D14/167, 168, 170–172, 188, 192, D14/194–196, 204, 205, 207, 209.1, D14/210–216, 219, 221–223, 496; 181/198, 199; 381/300, 303, 332, 334, 381/336, 345

CPC H04R 1/02; H04R 1/021; H04R 1/025; H04R 1/026; H04R 1/028; H04R 1/34; H04R 1/40; H04R 1/323; H04R 1/403; H04R 1/345; H04R 1/2803; H04R 1/2834; H04R 5/02; H04R 9/06; H04R 2201/021; H04R 2400/00; H04R 2400/07; H04R 2400/03; H04R 5/033; H04R 5/0335; B60R 11/0217; G06F 1/1688; G10K 9/22; G10K 11/004; H03F 1/327; H04N 5/642

See application file for complete search history.

(56) **References Cited**

U.S. PATENT DOCUMENTS

D596,459 S *	7/2009	Ghiassi	D7/510
D742,358 S *	11/2015	Alves	D14/216
D798,839 S *	10/2017	Yeon	D14/216
D808,927 S *	1/2018	Schaal	D14/216
D811,367 S *	2/2018	Vaclavik	D14/216
D813,213 S *	3/2018	Honda	D14/240
D828,721 S *	9/2018	Xiao	D7/507
D828,856 S *	9/2018	Langhammer	D14/496
D835,063 S *	12/2018	Wu	D14/204
D836,602 S *	12/2018	Huang	D14/210

* cited by examiner

Primary Examiner — R. Johnson

(74) *Attorney, Agent, or Firm* — Ming Chow; Sinorica, LLC

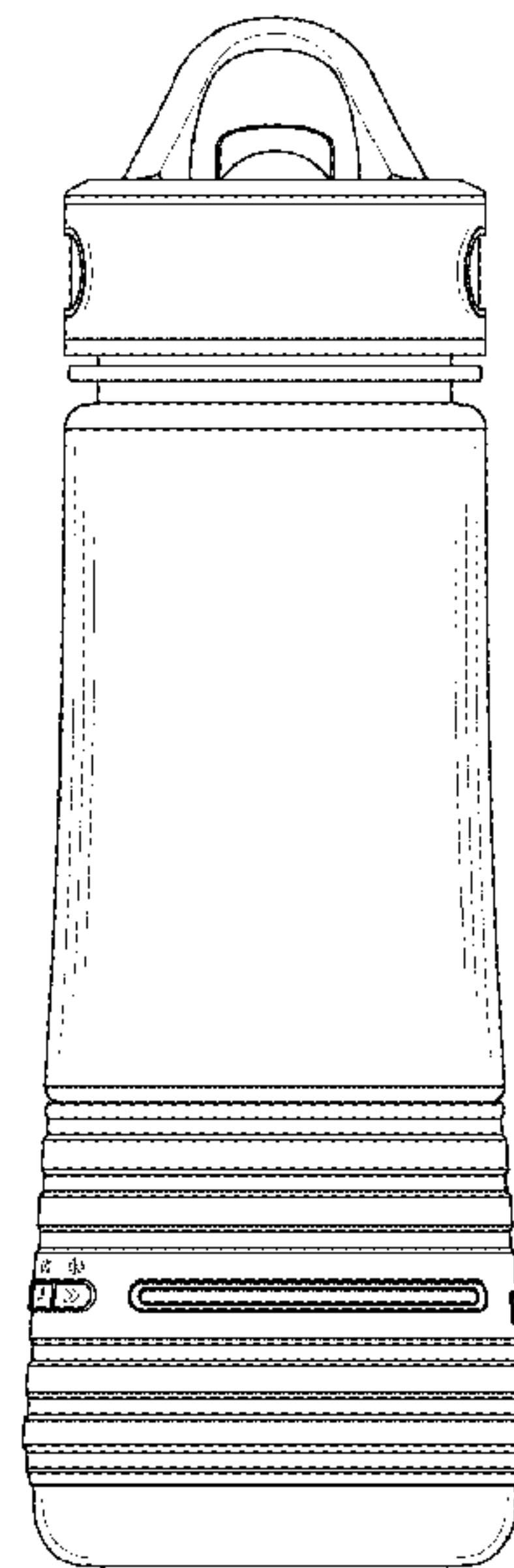
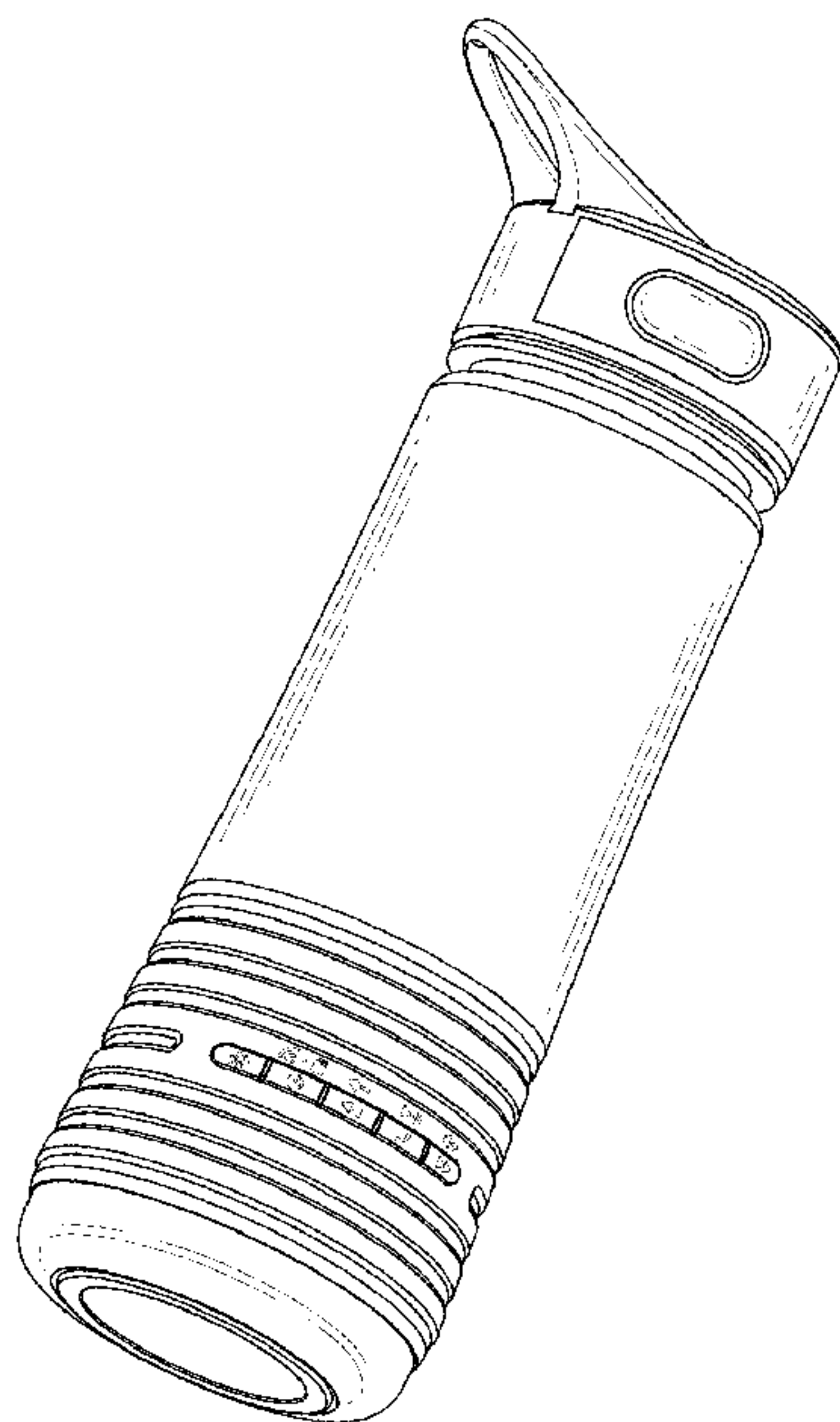
(57) **CLAIM**

The ornamental design for a multi-functional bluetooth sound equipment, as shown and described.

DESCRIPTION

FIG. 1 is a perspective view of the multi-functional bluetooth sound equipment showing my new design; FIG. 2 is a front elevation view thereof; FIG. 3 is a rear elevation view thereof; FIG. 4 is left side view thereof; FIG. 5 is right side view thereof; FIG. 6 is a top plan view thereof; and, FIG. 7 is a bottom plan view thereof.

1 Claim, 7 Drawing Sheets



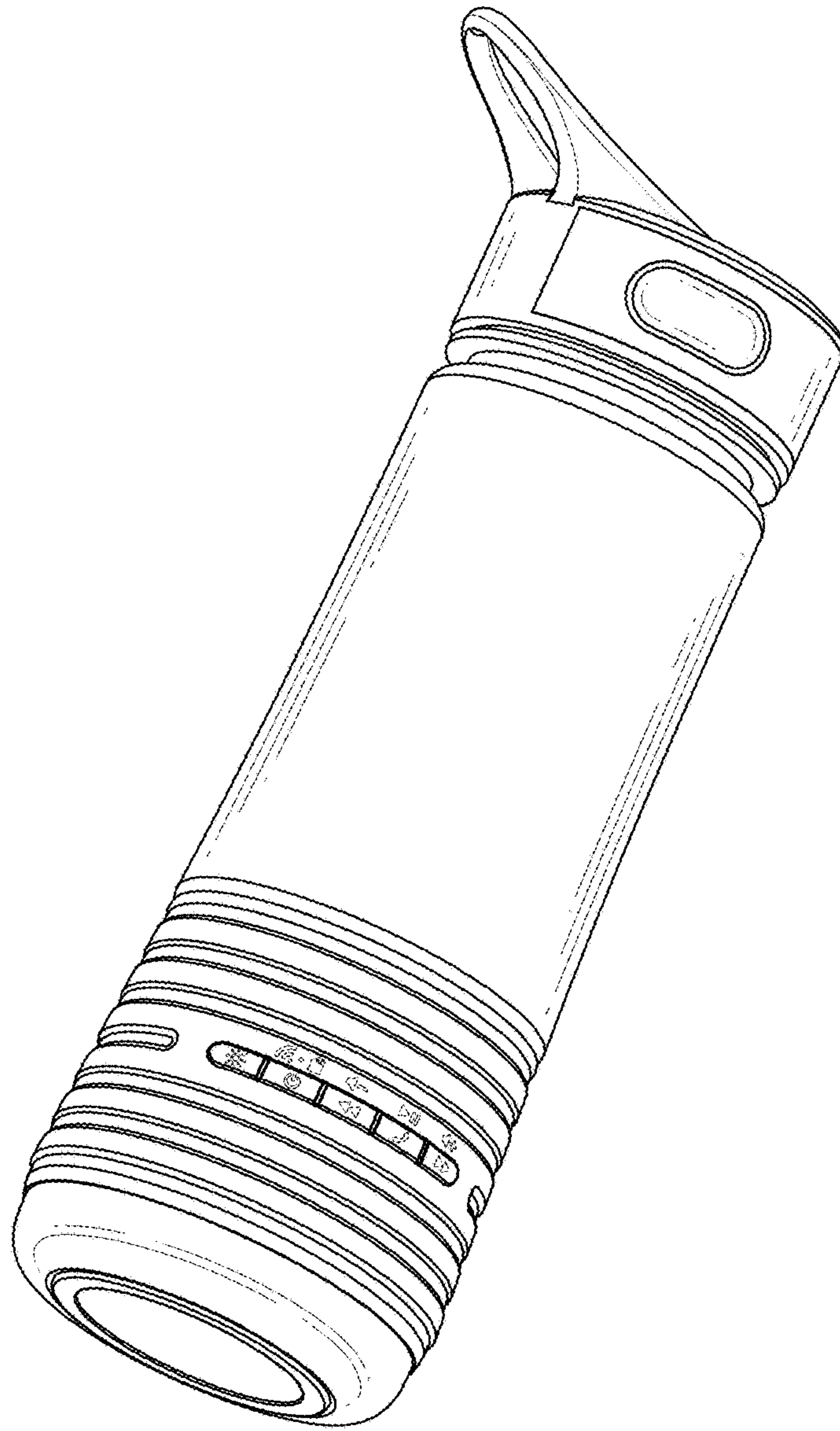


FIG.1

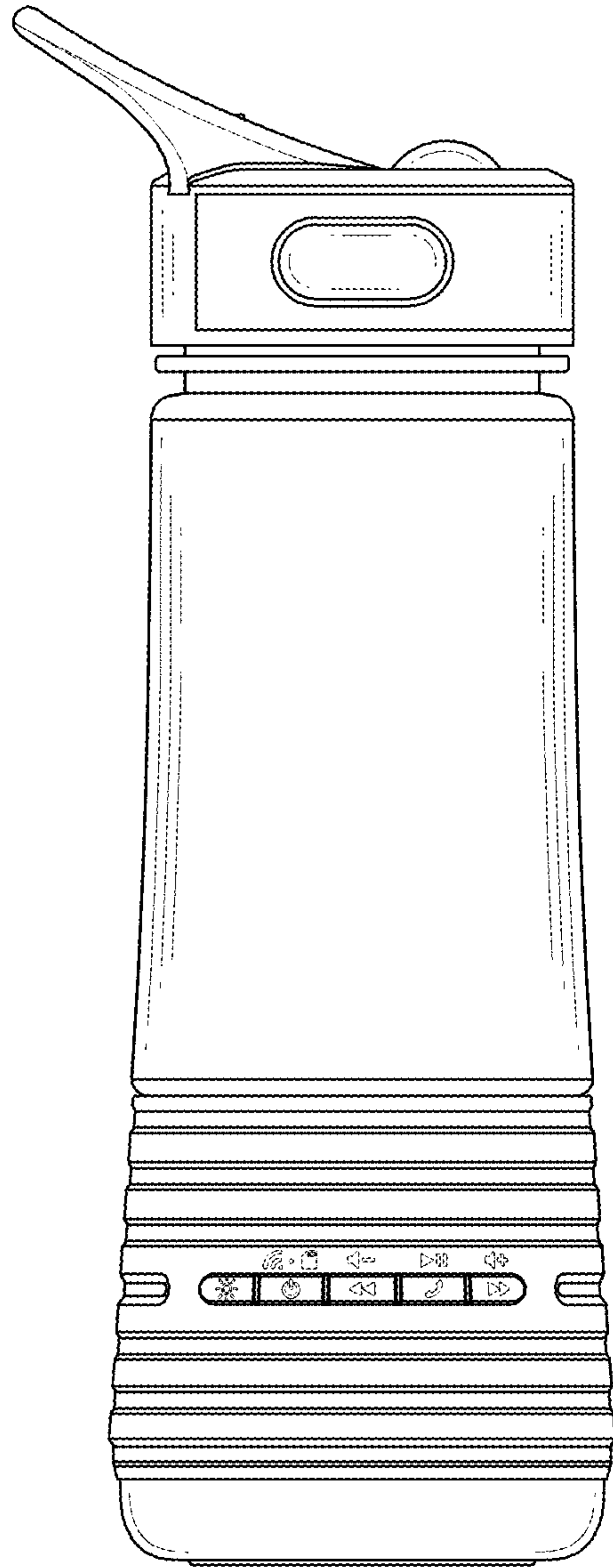


FIG.2

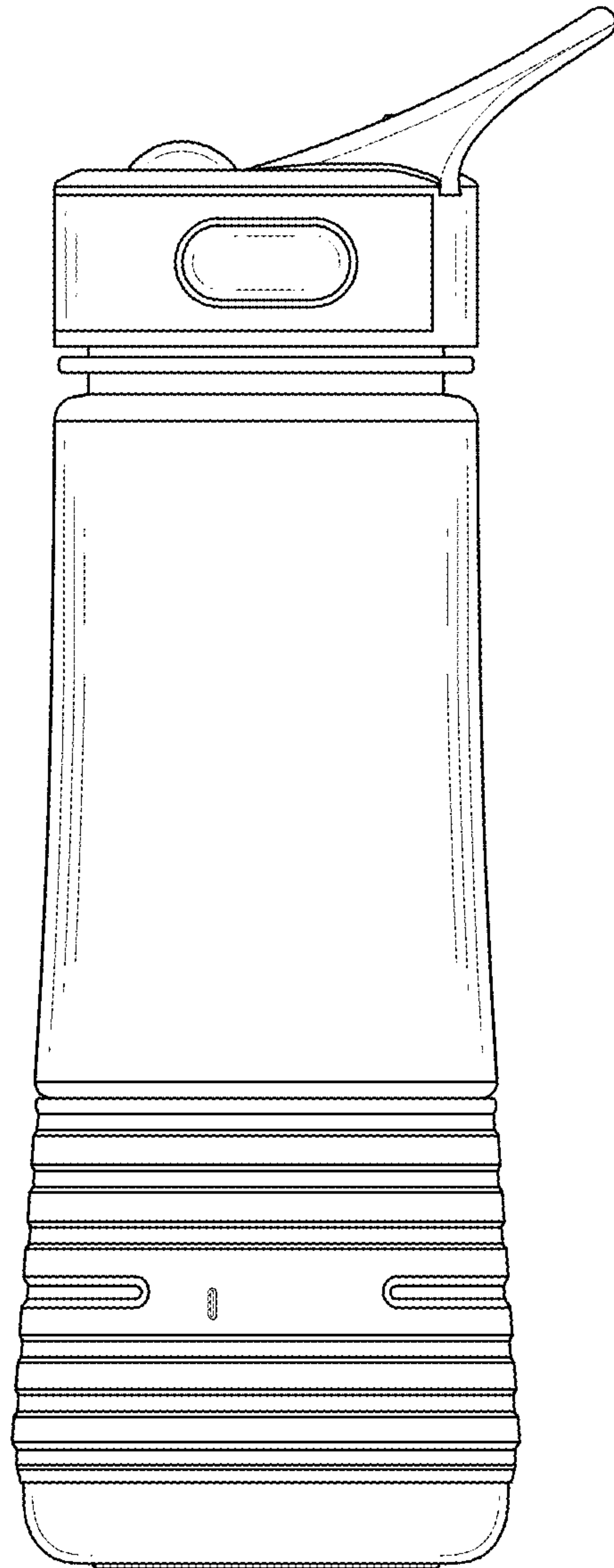


FIG.3

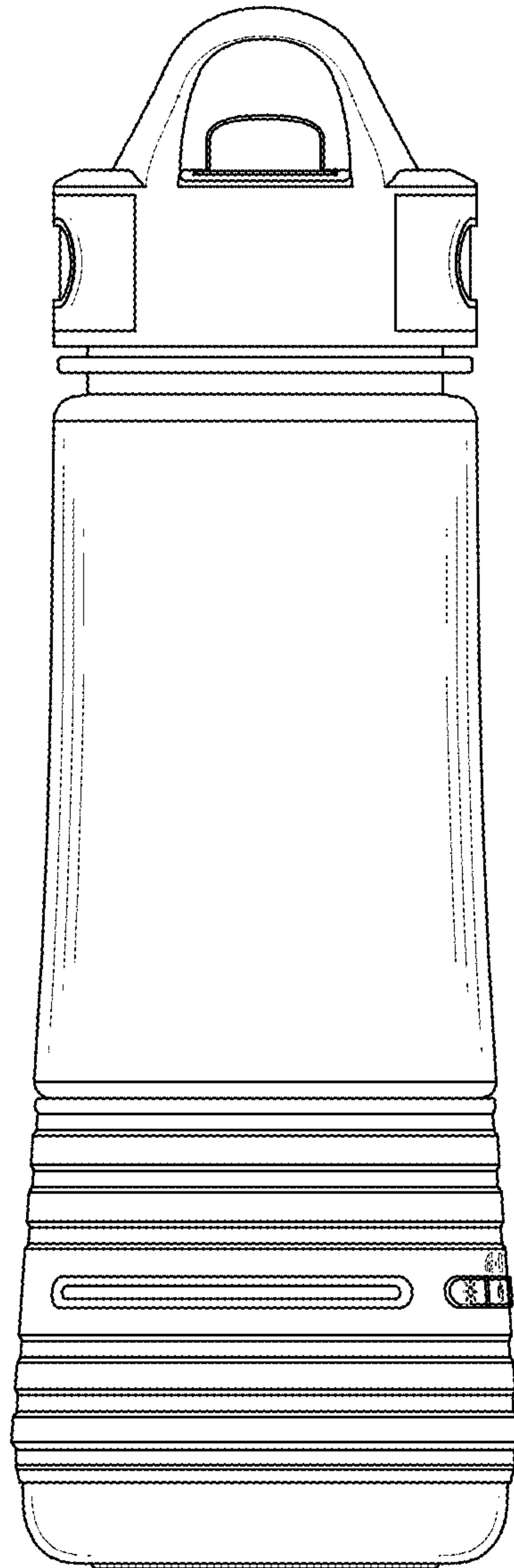


FIG.4

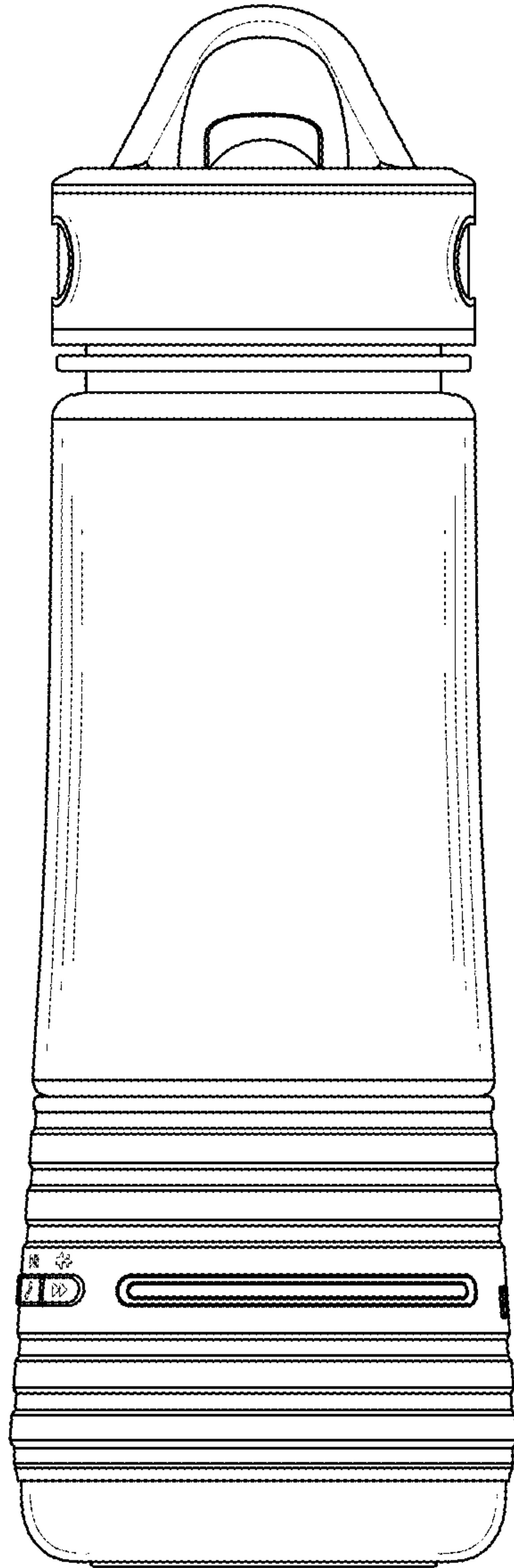


FIG.5

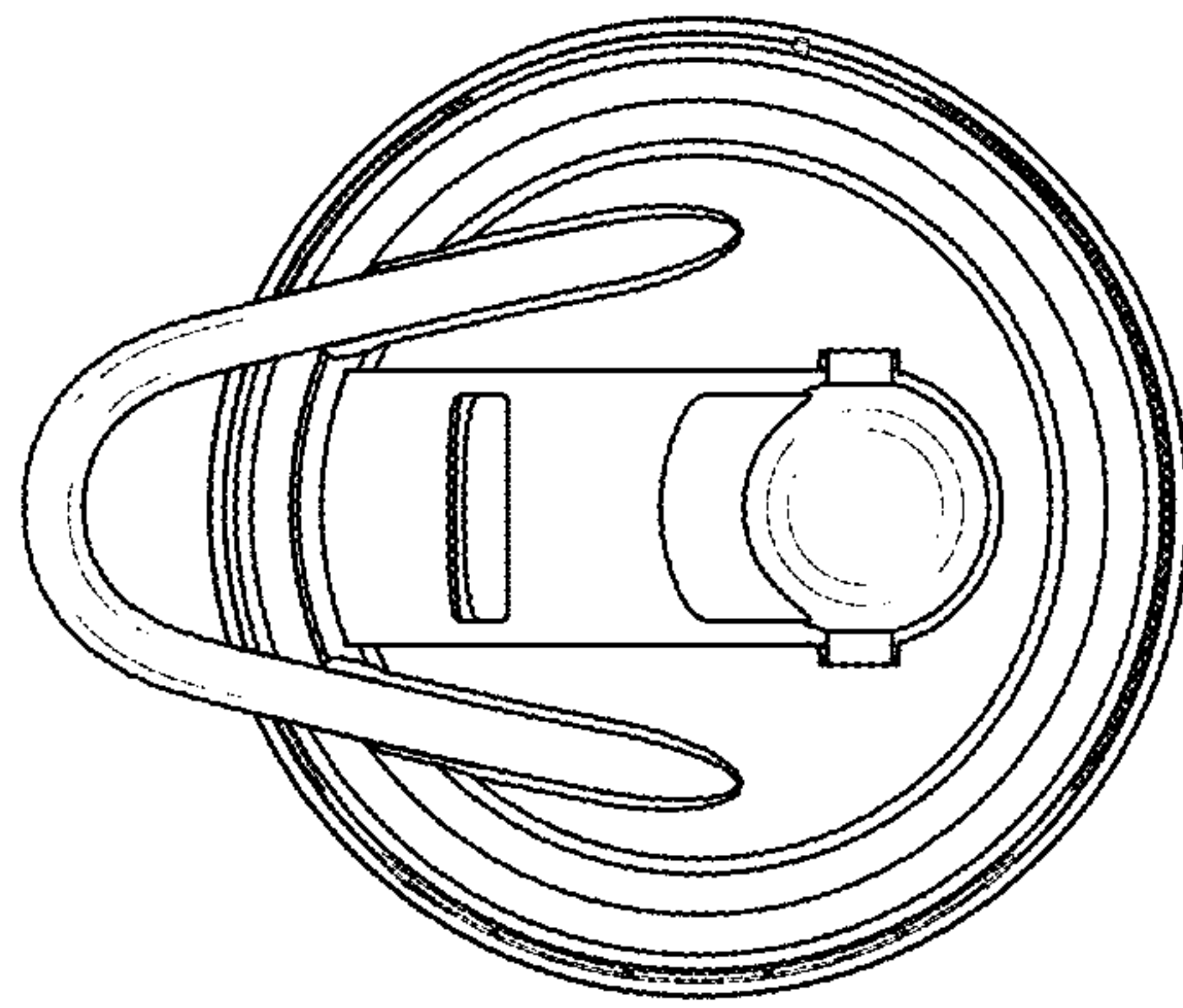


FIG.6

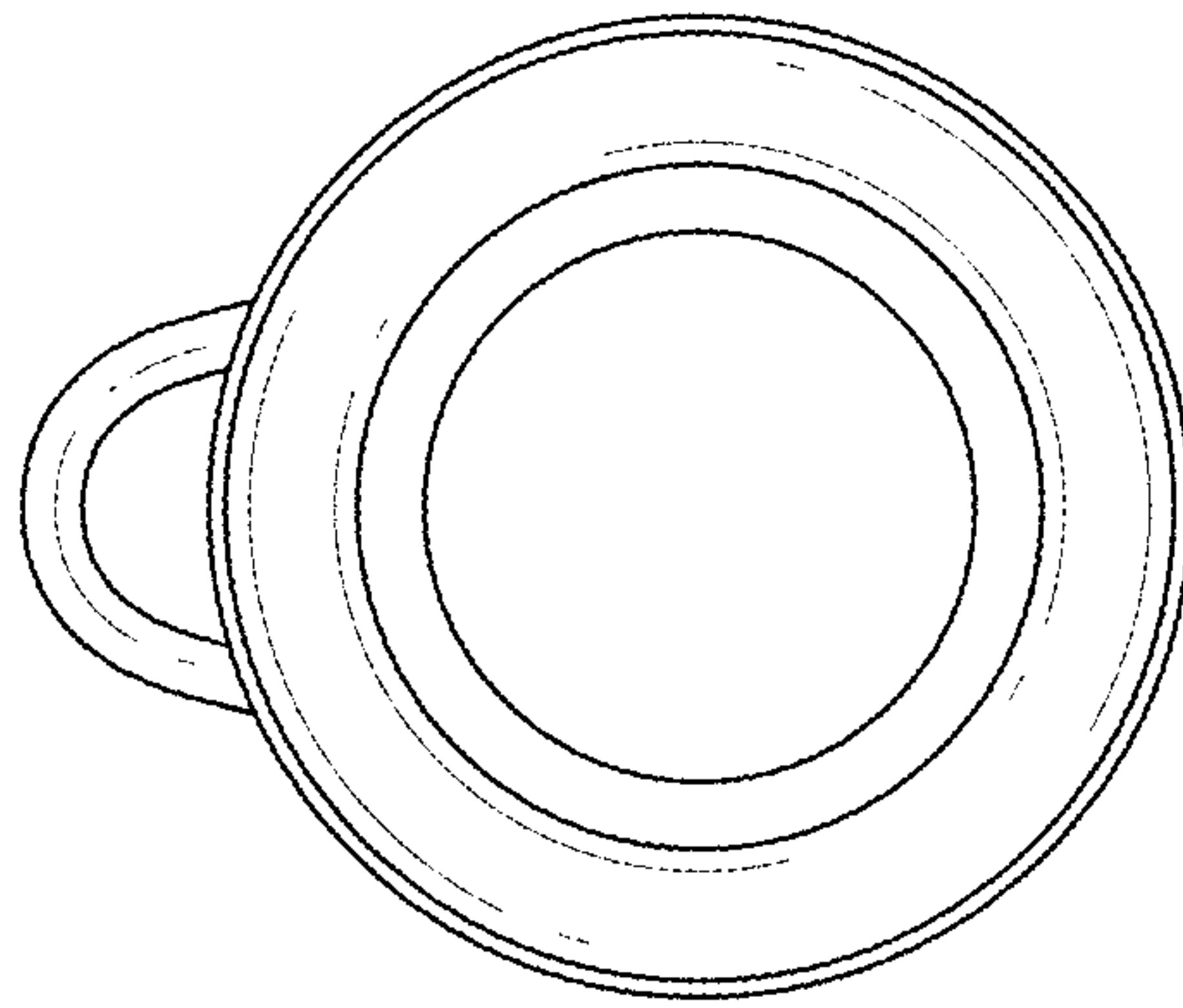


FIG.7