



US00D850409S

(12) **United States Design Patent**
Won et al.

(10) **Patent No.:** **US D850,409 S**
(45) **Date of Patent:** **** Jun. 4, 2019**

(54) **AUDIO VISUAL BOX FOR TV RECEIVER**

(56) **References Cited**

(71) Applicant: **LG ELECTRONICS INC.**, Seoul (KR)
(72) Inventors: **Hyojin Won**, Seoul (KR); **Hyeyoung Hong**, Seoul (KR); **Yongho Lee**, Seoul (KR); **Youngkyoung Kim**, Seoul (KR)
(73) Assignee: **LG Electronics Inc.**, Seoul (KR)

U.S. PATENT DOCUMENTS

4,450,495 A * 5/1984 Naruki G11B 25/063
224/674
D341,594 S * 11/1993 Kawai D14/242
D359,492 S * 6/1995 Dyas D14/214
D360,637 S * 7/1995 Arie D14/214
5,852,545 A * 12/1998 Pan-Ratzlaff G06F 1/1601
361/679.23
D530,310 S * 10/2006 Tsai D14/215
(Continued)

(**) Term: **15 Years**

OTHER PUBLICATIONS

(21) Appl. No.: **35/502,882**

Nadel, Brian, 9 nifty ways to get awesome laptop audio, posted at IT Business, posting date Jun. 8, 2009. [online][site visited Mar. 24, 2018] URL: <<https://www.itbusiness.ca/news/9-nifty-ways-to-get-awesome-laptop-audio/13628>> (Year: 2009).*

(22) Filed: **Oct. 24, 2016**

(Continued)

(80) **Hague Agreement Data**

Int. Filing Date: **Oct. 24, 2016**
Int. Reg. No.: **DM/093224**
Int. Reg. Date: **Oct. 24, 2016**
Int. Reg. Pub. Date: **Apr. 28, 2017**

Primary Examiner — George D. Kirschbaum
Assistant Examiner — Kathleen L Jones
(74) *Attorney, Agent, or Firm* — Birch, Stewart, Kolasch & Birch, LLP

(30) **Foreign Application Priority Data**

Apr. 27, 2016 (KR) 30-2016-0020181

(51) **LOC (11) Cl.** **14-01**

(52) **U.S. Cl.**
USPC **D14/214**

(58) **Field of Classification Search**
USPC D14/125-126, 129, 132-133, 375-376, D14/451, 221, 224, 224.1, 239, 242, 204, D14/209.1, 210, 211, 214-216, 357-358, D14/496, 172, 194-195
CPC . B60R 11/0217; B60R 11/0223; H04R 1/023; H04R 1/025; H04R 1/323; H04R 5/02; H04R 19/02; H04F 2400/00; H04F 2400/07; H04F 2400/11; G06F 1/16
See application file for complete search history.

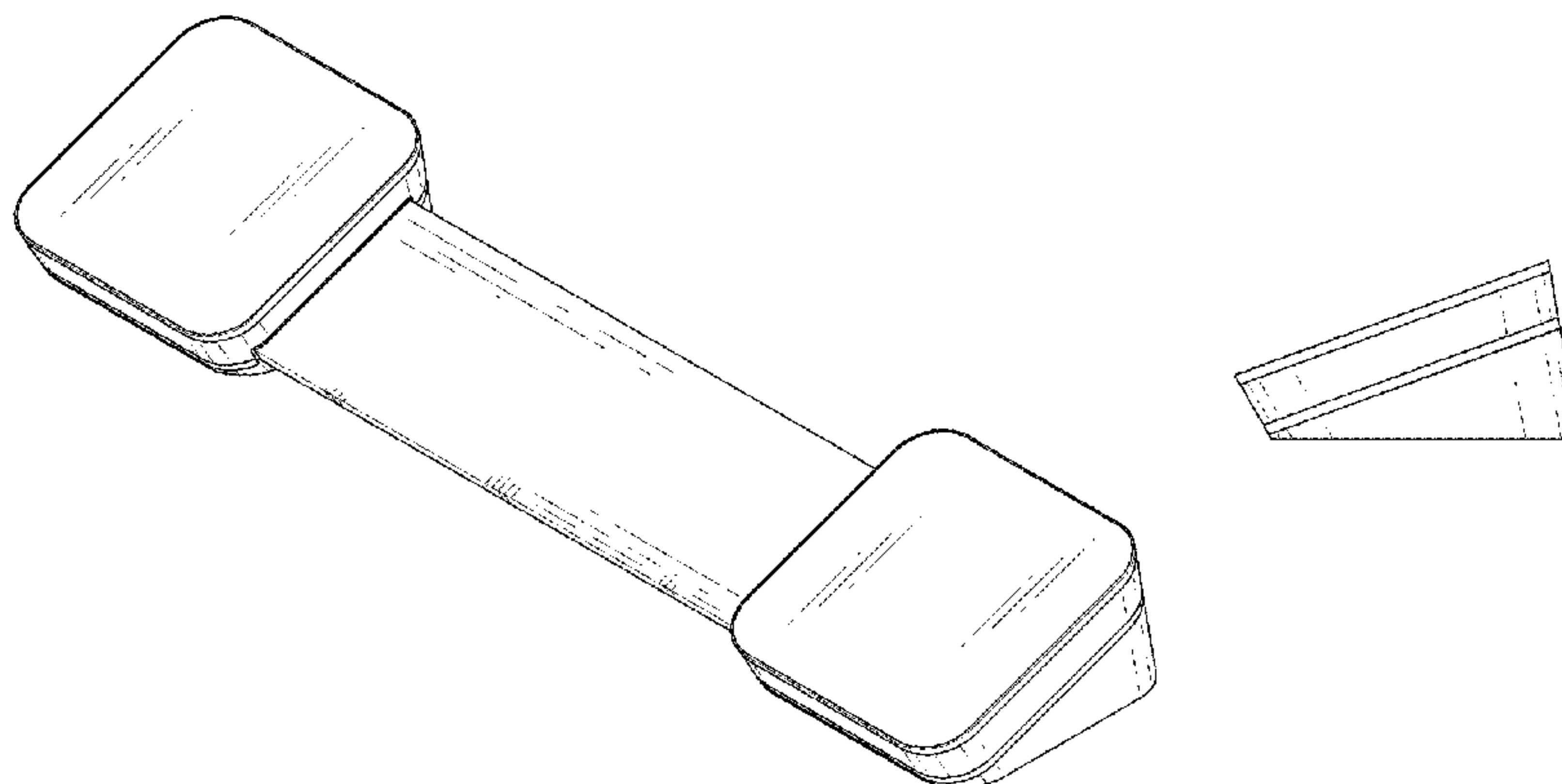
(57) **CLAIM**

The ornamental design for an audio visual box for TV receiver, as shown and described.

DESCRIPTION

1. Audio visual box for TV receiver
1.1 is a front perspective view of an audio visual box for TV receiver.
1.2 is a front view thereof.
1.3 is a back view thereof.
1.4 is a left side view thereof.
1.5 is a right side view thereof.
1.6 is a top view thereof.

(Continued)



1.7 is a bottom view thereof.

1.8 is an exploded perspective view thereof.

The portion of the design shown in the color light grey is for the purpose of illustrating lower surfaces of the central element and forms no part of the claimed design.

D601,546	S	*	10/2009	Lee	D14/209.1
D686,209	S	*	7/2013	Sun	D14/401
D688,228	S	*	8/2013	Ryu	D14/209.1
D689,460	S	*	9/2013	Chen	D14/172
D784,952	S	*	4/2017	Fleming, Jr.	D14/203.7
D822,002	S	*	7/2018	Won	D14/214

1 Claim, 4 Drawing Sheets

OTHER PUBLICATIONS

(56)

References Cited

U.S. PATENT DOCUMENTS

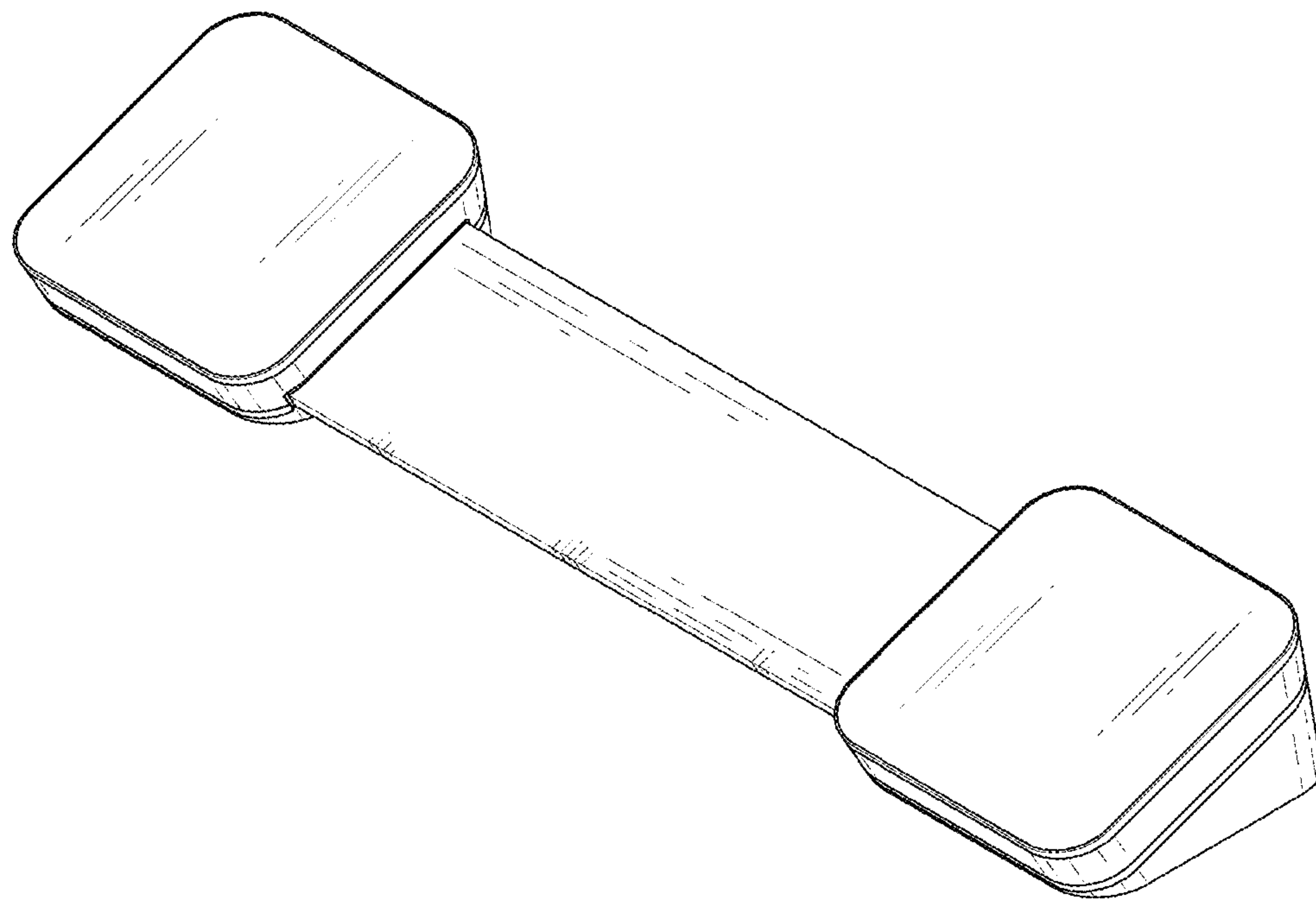
D557,686	S	*	12/2007	Tse	D14/214
D579,443	S	*	10/2008	Donovan	D14/214
D599,782	S	*	9/2009	Tse	D14/209.1
7,593,536	B2	*	9/2009	Sung	G03B 31/00 381/312

Yamaha YAS-203 Sound Bar, posted at Amazon, posting date Aug. 11, 2014. [online][site visited Mar. 24, 2018] URL: <<https://www.amazon.com/Yamaha-YAS-203-Bluetooth-Wireless-Subwoofer/dp/B00MIYEJ9Y>> (Year: 2014).*

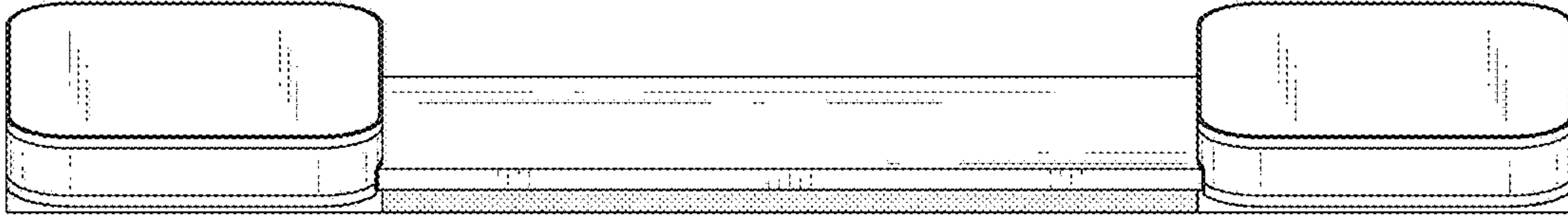
James, Razer Leviathan 5.1 Speaker Review, posted at PC Gameware, posting date Mar. 12, 2015. [online][site visited Mar. 13, 2018] URL: <<http://www.pcgameware.co.uk/reviews/other/razer-leviathan-5-1-speaker-review/>> (Year: 2015).*

* cited by examiner

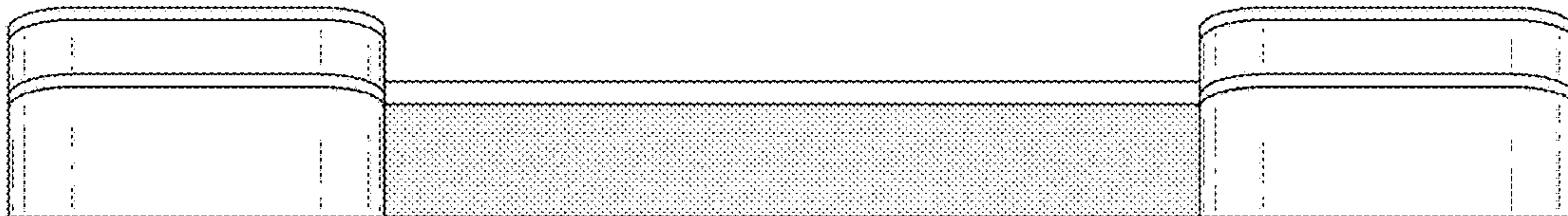
1.1



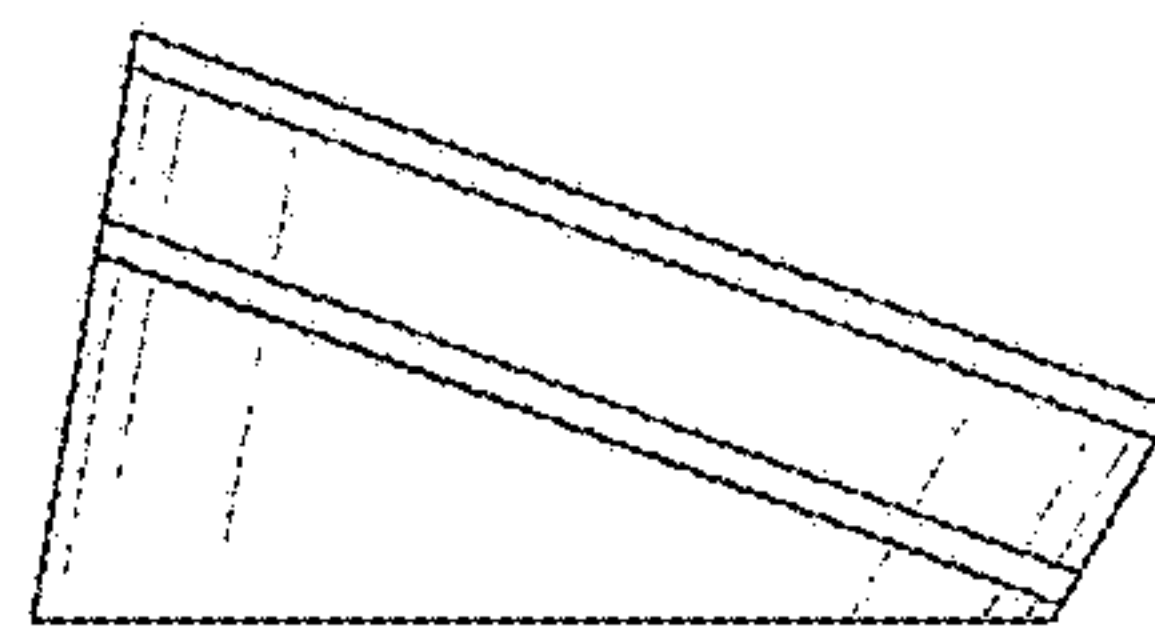
1.2



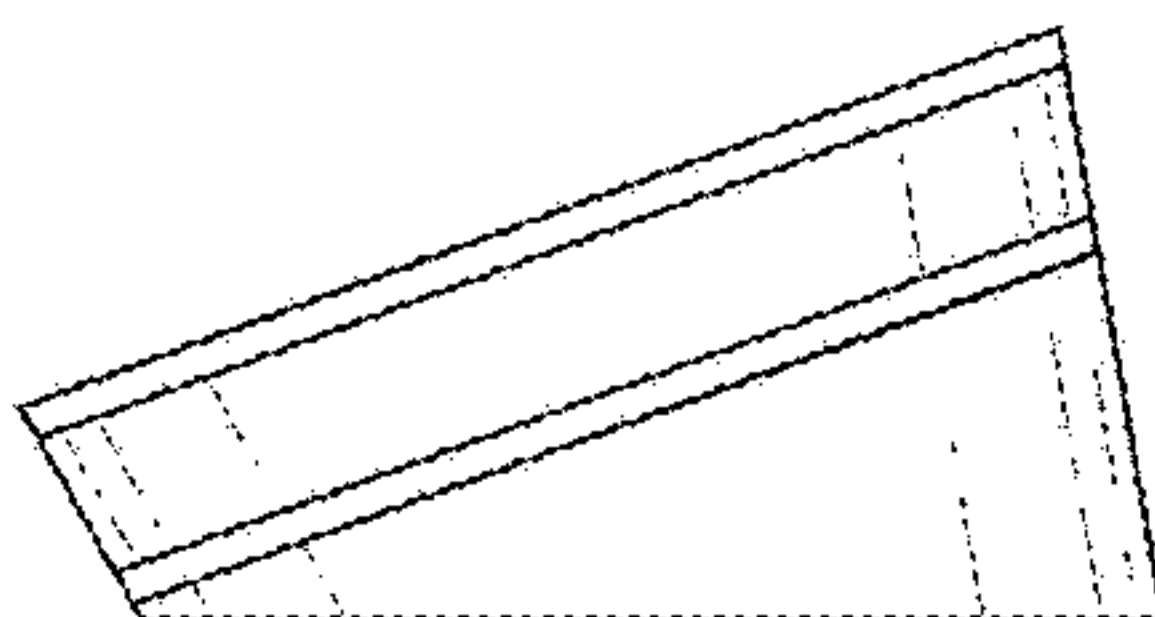
1.3



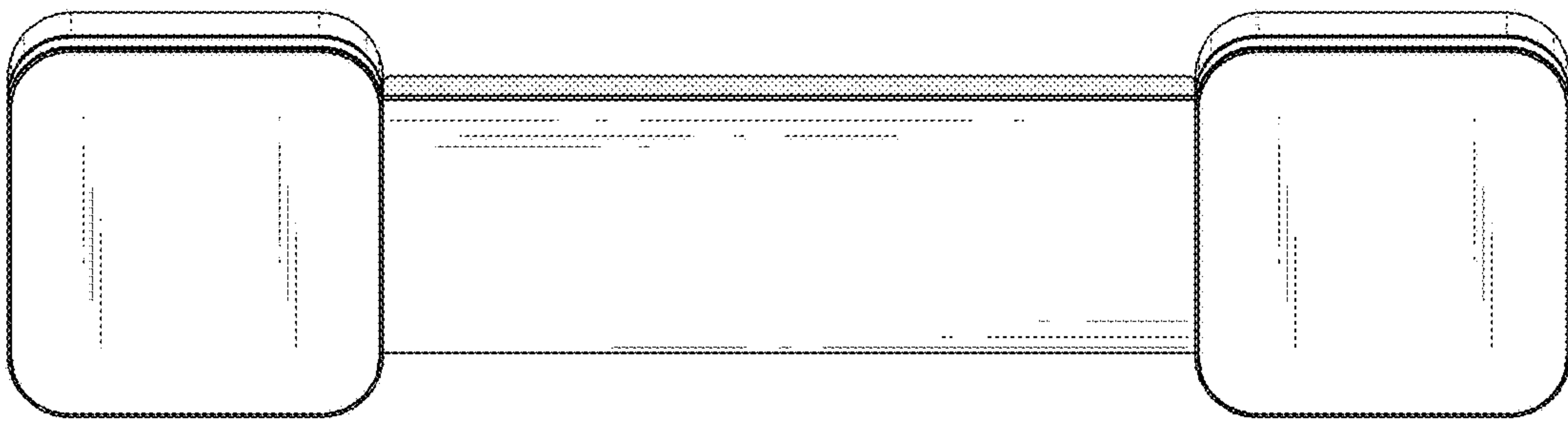
1.4



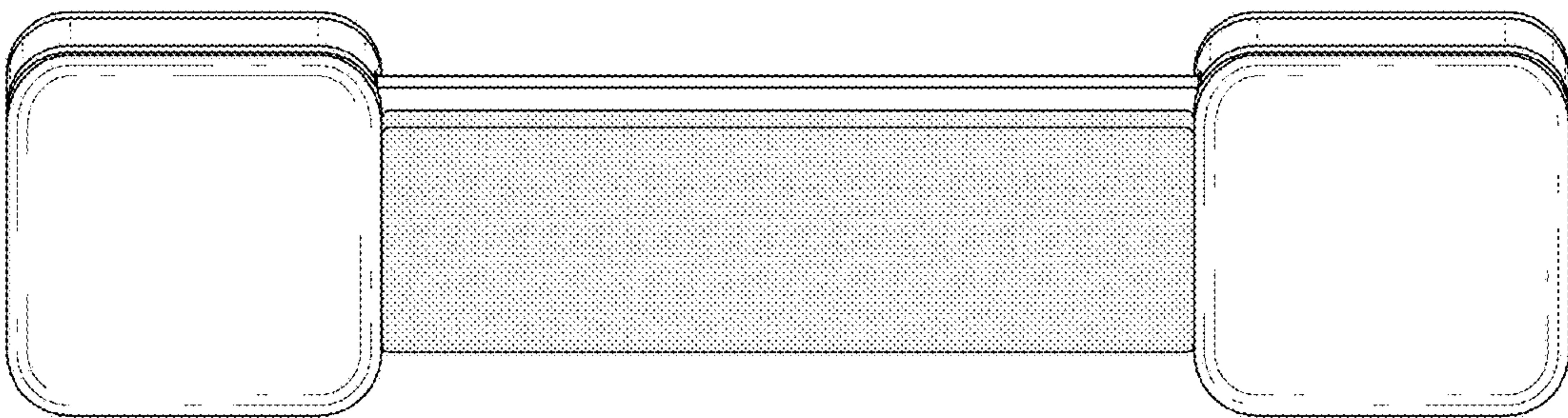
1.5



1.6



1.7



1.8

