



US00D850408S

(12) **United States Design Patent**  
**Kawabata**

(10) **Patent No.:** **US D850,408 S**

(45) **Date of Patent:** **\*\* Jun. 4, 2019**

(54) **EARPHONE**

(71) Applicant: **Onkyo Corporation**, Osaka (JP)

(72) Inventor: **Tsutomu Kawabata**, Osaka (JP)

(73) Assignee: **Onkyo Corporation**, Osaka (JP)

(\*\*) Term: **15 Years**

(21) Appl. No.: **29/609,859**

(22) Filed: **Jul. 6, 2017**

(30) **Foreign Application Priority Data**

Mar. 21, 2017 (JP) ..... 2017-005609

(51) **LOC (11) Cl.** ..... **14-01**

(52) **U.S. Cl.**

USPC ..... **D14/206**; D14/226

(58) **Field of Classification Search**

USPC ..... D14/223, 205, 206, 226; D24/174;

128/864, 865, 866; 181/129, 130, 135;

379/430, 431; 381/380, 381, 374, 375,

381/74; 455/90.3, 575.1, 569.1

CPC ..... H04R 1/105; H04R 1/10; H04R 1/1066;

H04R 1/1016; H04R 25/00; H04R

1/1083; H04R 25/02

See application file for complete search history.

(56) **References Cited**

**U.S. PATENT DOCUMENTS**

5,414,769 A \* 5/1995 Gattey ..... H04M 1/05

379/430

5,625,171 A \* 4/1997 Marshall ..... H04R 1/1058

181/130

D395,653 S \* 6/1998 Read ..... D14/142

D441,739 S \* 5/2001 Hayes ..... D14/223

6,396,935 B1 \* 5/2002 Makkonen ..... H04B 1/385

379/430

6,427,018 B1 \* 7/2002 Keliiliki ..... H04R 1/1066

381/370

D469,081 S \* 1/2003 Perszyk ..... D14/205

D470,129 S \* 2/2003 Hlas ..... D14/205

D480,073 S \* 9/2003 Jensen ..... D14/224

D490,398 S \* 5/2004 Gwee ..... D14/205

D501,196 S \* 1/2005 Dyer ..... D14/205

D504,673 S \* 5/2005 Dyer ..... D14/205

D506,462 S \* 6/2005 Han ..... D14/205

D510,085 S \* 9/2005 Suzuki ..... D14/223

D512,984 S \* 12/2005 Ham ..... D14/205

D518,473 S \* 4/2006 Gwee ..... D14/205

D518,816 S \* 4/2006 Naito ..... D14/205

7,089,042 B2 \* 8/2006 Bodley ..... H04M 1/05

381/104

D530,819 S \* 10/2006 Jurkiewicz ..... D24/174

D535,975 S \* 1/2007 Brennwald ..... D14/206

D541,787 S \* 5/2007 Ma ..... D14/205

D543,968 S \* 6/2007 Wong ..... D14/205

7,231,056 B2 \* 6/2007 Chen ..... H04R 1/1066

381/374

D557,255 S \* 12/2007 Shintani ..... D14/206

(Continued)

*Primary Examiner* — Paula Allen Greene

(74) *Attorney, Agent, or Firm* — Renner Otto

(57)

**CLAIM**

The ornamental design for an earphone, as shown and described.

**DESCRIPTION**

FIG. 1 is a top, right, front perspective view of an earphone showing my new design;

FIG. 2 is a front elevation view thereof;

FIG. 3 is a rear elevation view thereof;

FIG. 4 is a top plan view thereof;

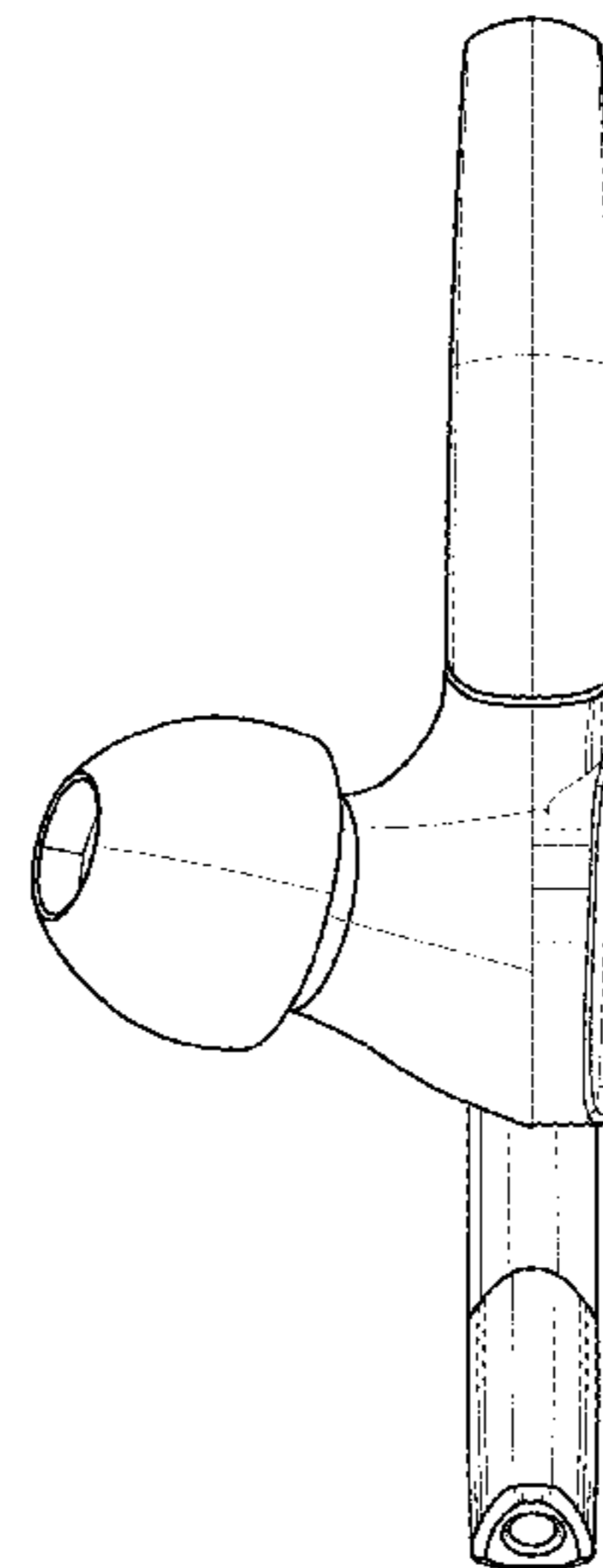
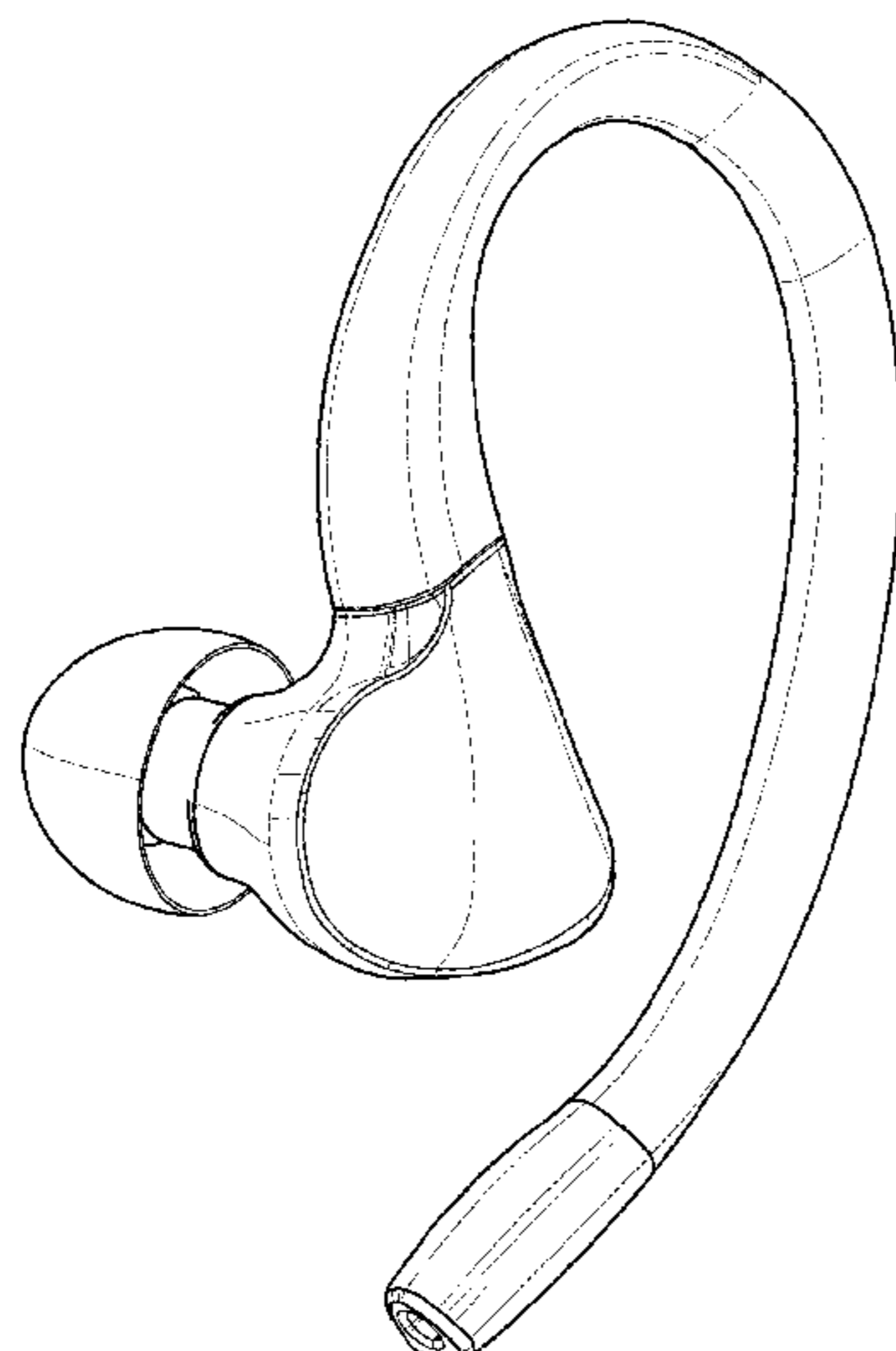
FIG. 5 is a bottom plan view thereof;

FIG. 6 is left side elevation view thereof; and,

FIG. 7 is a right side elevation view thereof.

The broken lines depict environment that forms no part of the claimed design.

**1 Claim, 7 Drawing Sheets**



(56)

References Cited

U.S. PATENT DOCUMENTS

D571,784 S *	6/2008	Jensen	.....	D14/205	D685,768 S *	7/2013	Mogili	.....	D14/223
D572,234 S *	7/2008	Reda	.....	D14/205	D695,275 S *	12/2013	Chee	.....	D14/223
D601,126 S *	9/2009	Christopher	.....	D14/206	D699,213 S *	2/2014	Burgett	.....	D14/205
D603,847 S *	11/2009	Chung	.....	D14/223	D710,333 S *	8/2014	Davies	.....	H04R 1/10
7,648,005 B2 *	1/2010	Leong	.....	A61F 11/08					D14/223
				128/867	D726,147 S *	4/2015	Tran	.....	D14/206
D617,778 S *	6/2010	Birger	.....	D14/223	D746,260 S *	12/2015	Goransson	.....	D14/206
D617,780 S *	6/2010	Jaakkola	.....	D14/223	D755,159 S *	5/2016	Birger	.....	D14/206
D629,397 S *	12/2010	Hensen	.....	H04R 5/033	D773,438 S *	12/2016	Walker	.....	D14/223
				D14/223	D775,610 S *	1/2017	Nakajima	.....	D14/223
D639,787 S *	6/2011	Quek	.....	D14/223	D809,486 S *	2/2018	Arimoto	.....	D14/223
D651,197 S *	12/2011	Birger	.....	D14/223	D809,487 S *	2/2018	Lee	.....	D14/223
8,265,328 B2 *	9/2012	Milde	.....	H04R 1/1066	D816,637 S *	5/2018	Hardi	.....	D14/205
				381/370	2003/0044038 A1 *	3/2003	Shirata	.....	H04R 1/105
D671,915 S *	12/2012	Birger	.....	D14/206					381/381
D681,003 S *	4/2013	Ham	.....	D14/206	2012/0134524 A1 *	5/2012	Peng	.....	H04R 1/1075
									381/380
					2013/0010997 A1 *	1/2013	Tanaka	.....	A61B 5/01
									381/380

\* cited by examiner

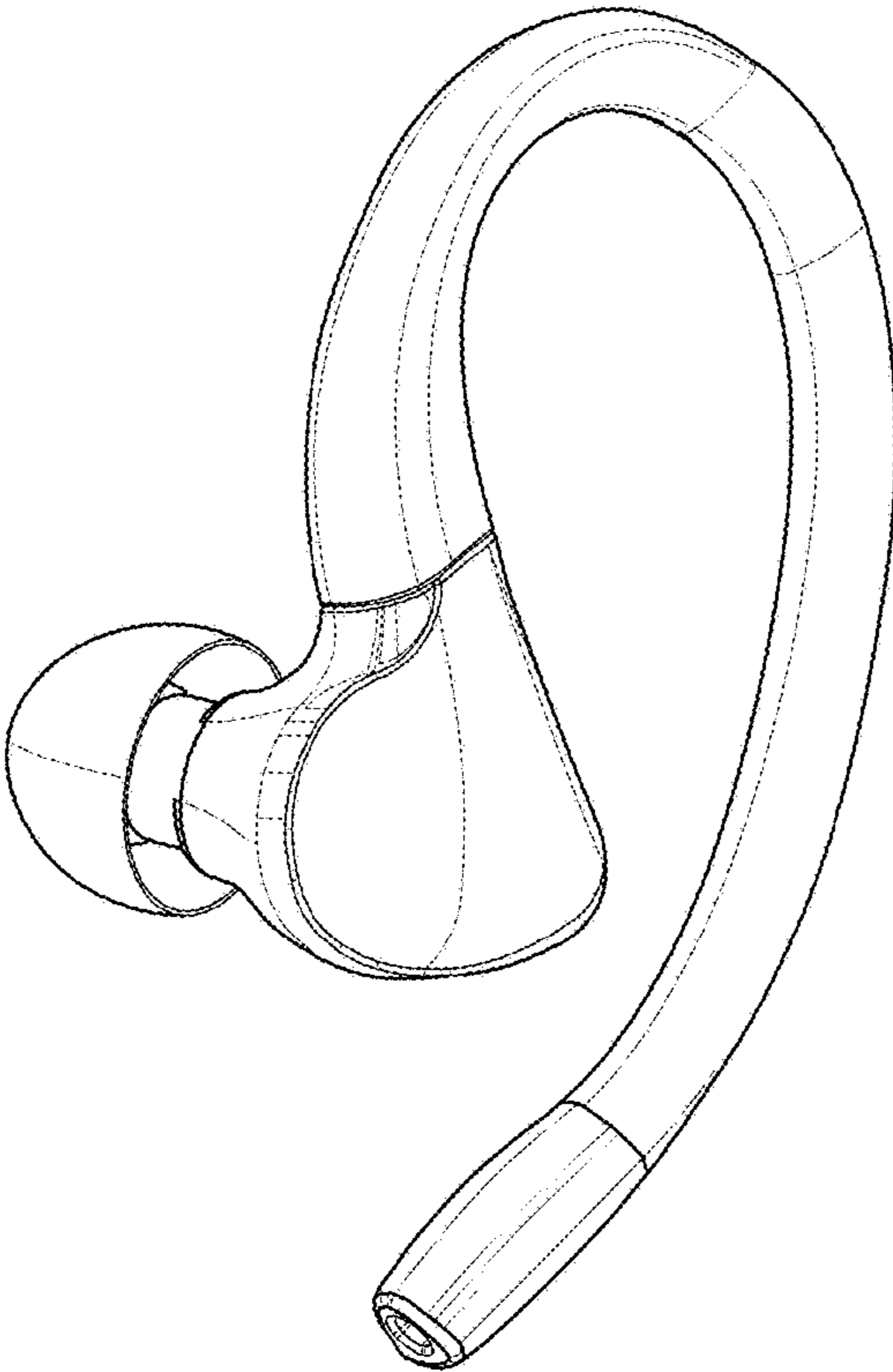


FIG. 1

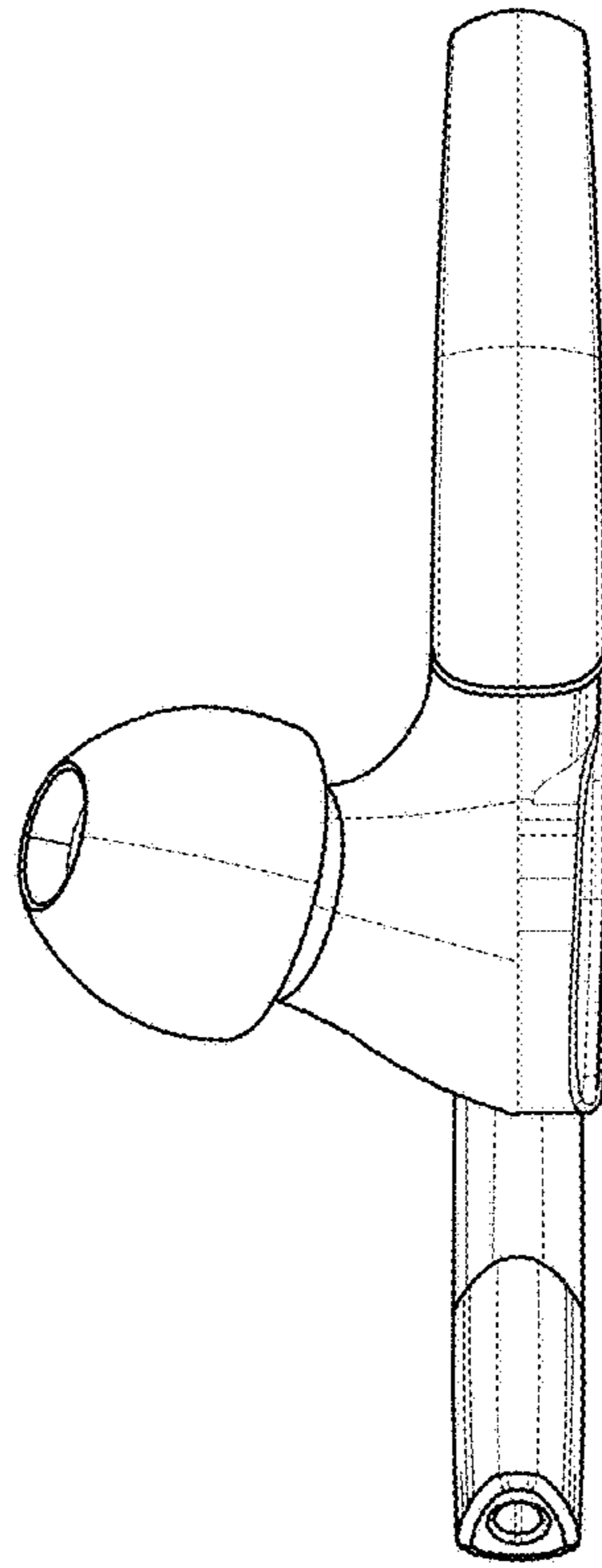


FIG. 2

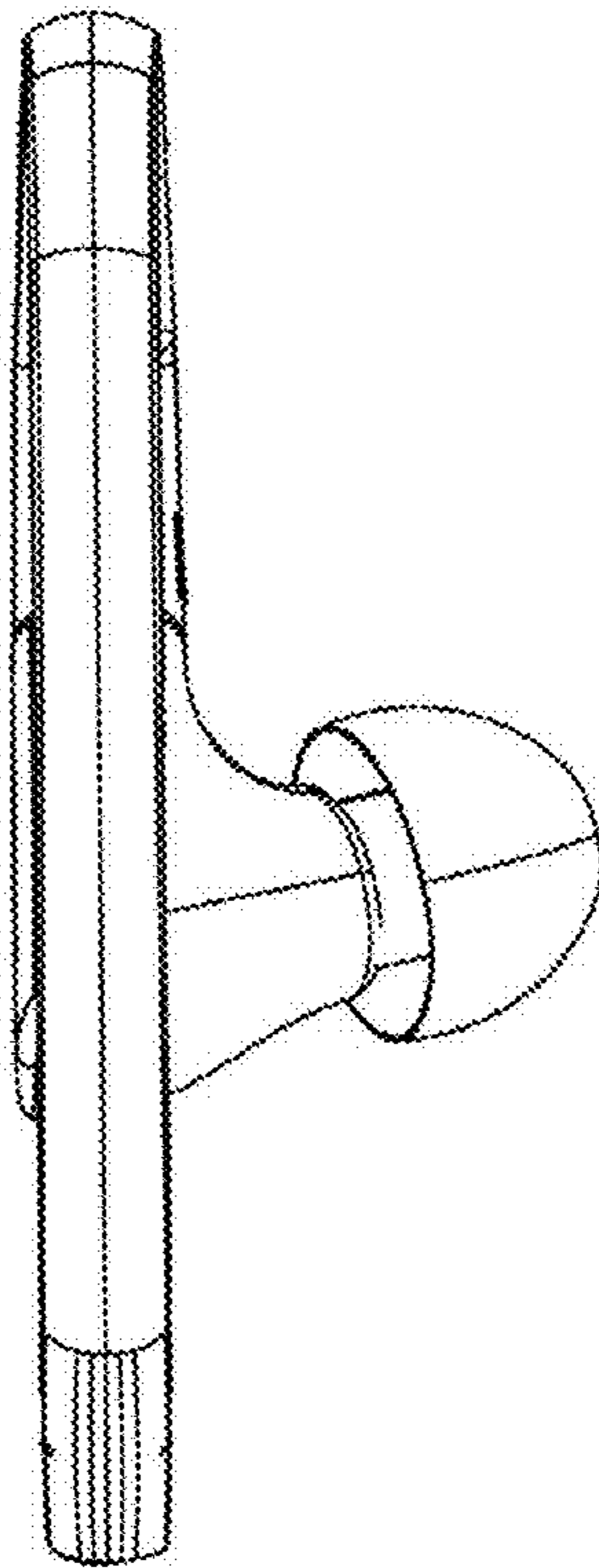


FIG. 3

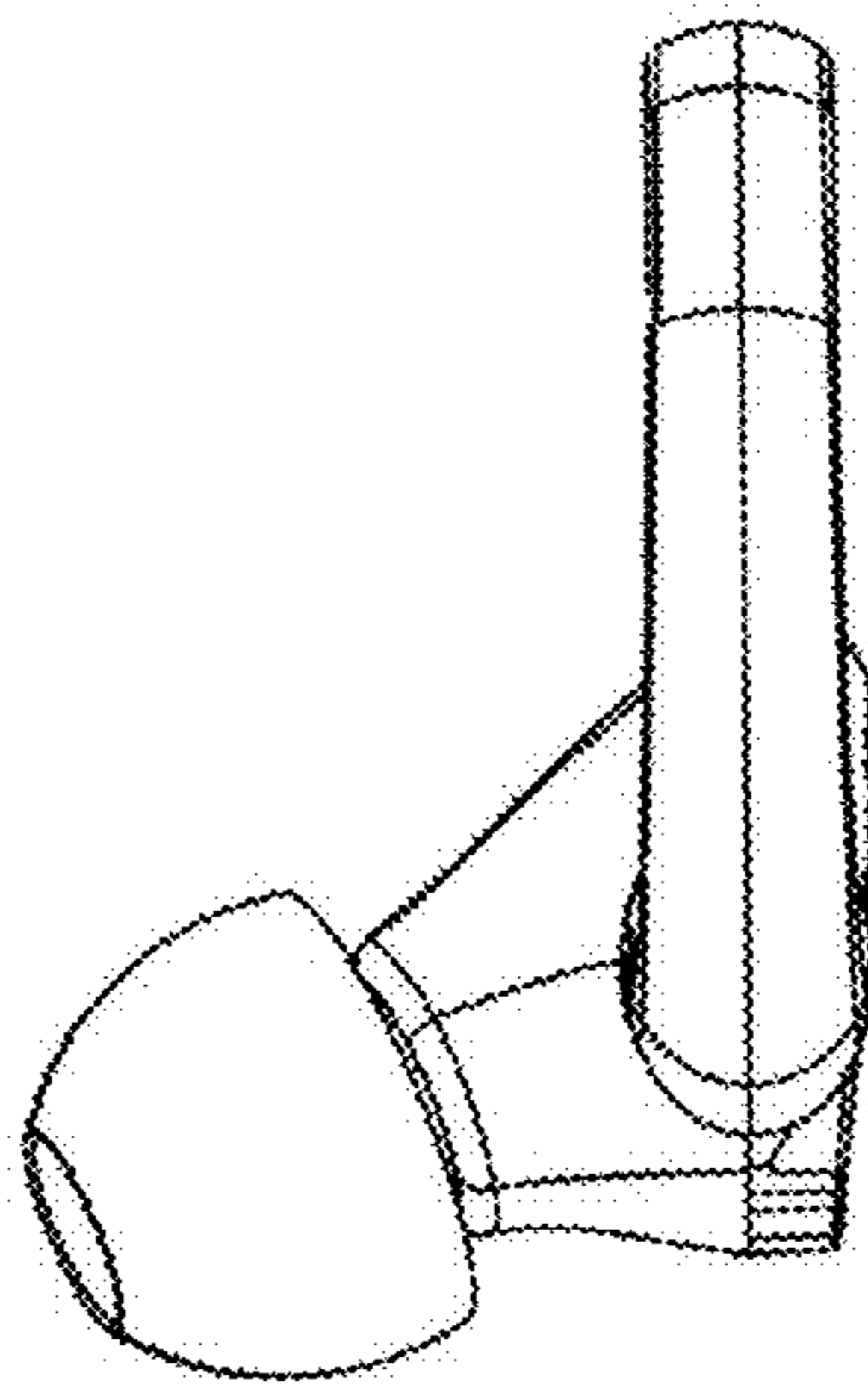


FIG. 4

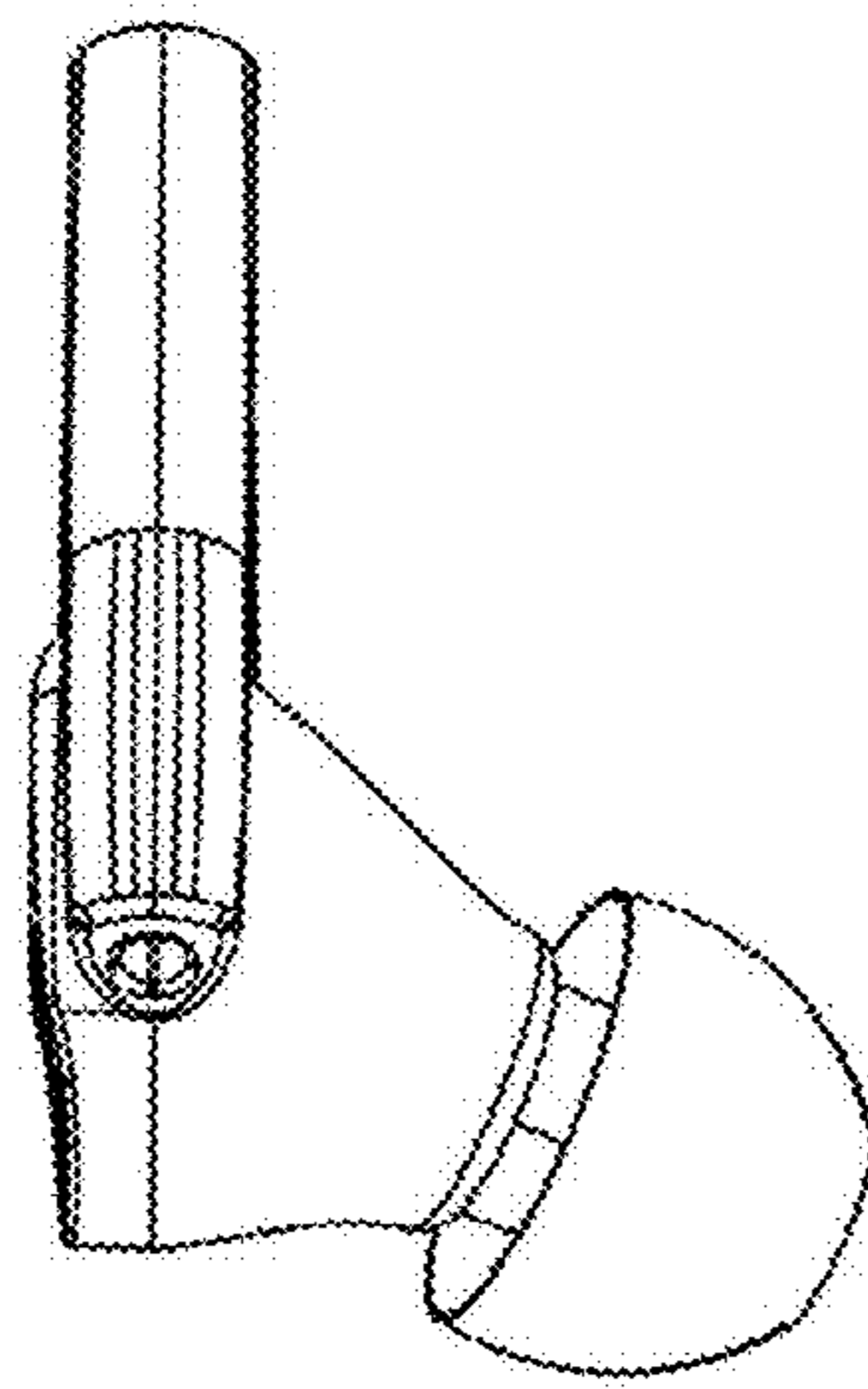


FIG. 5

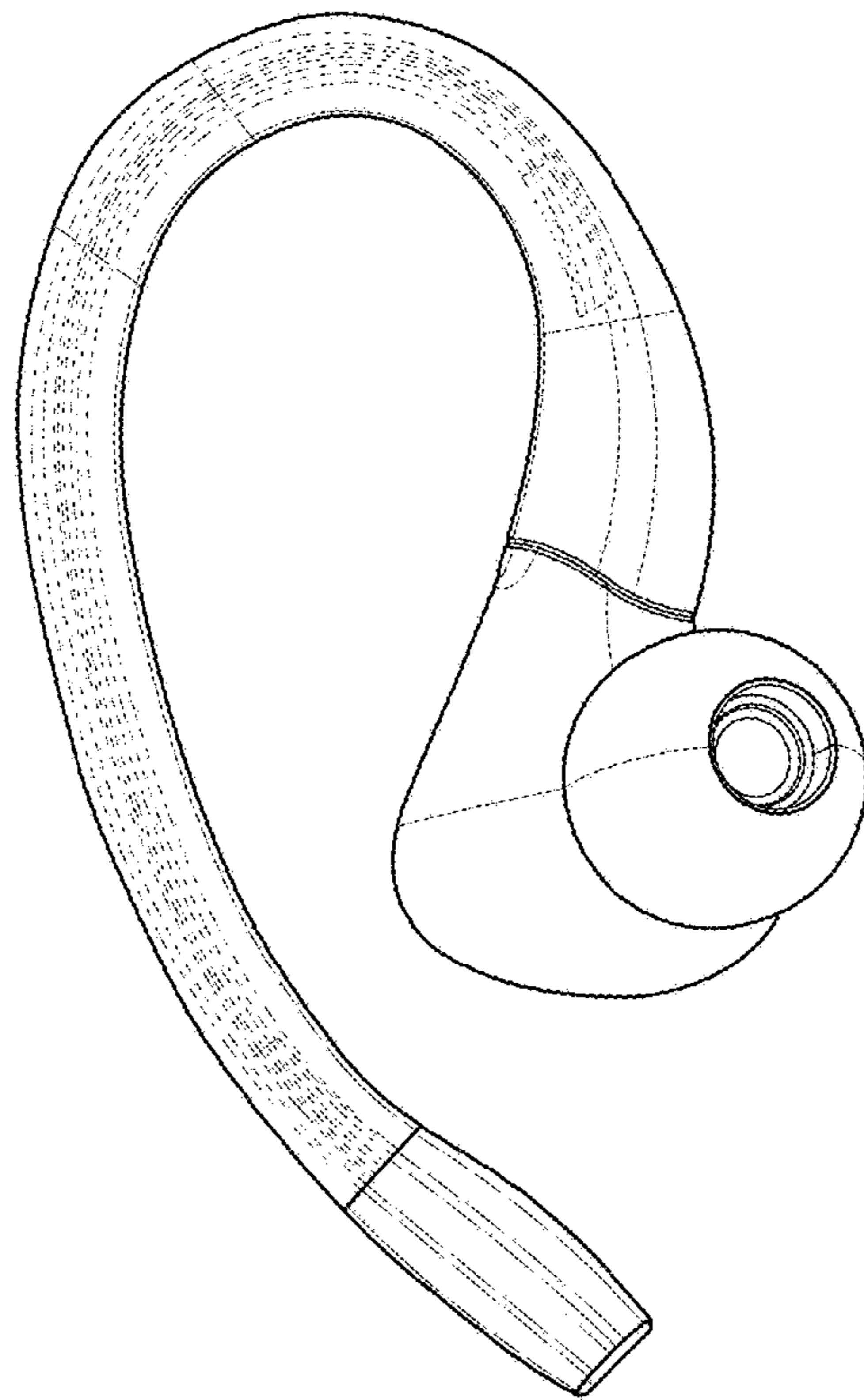


FIG. 6



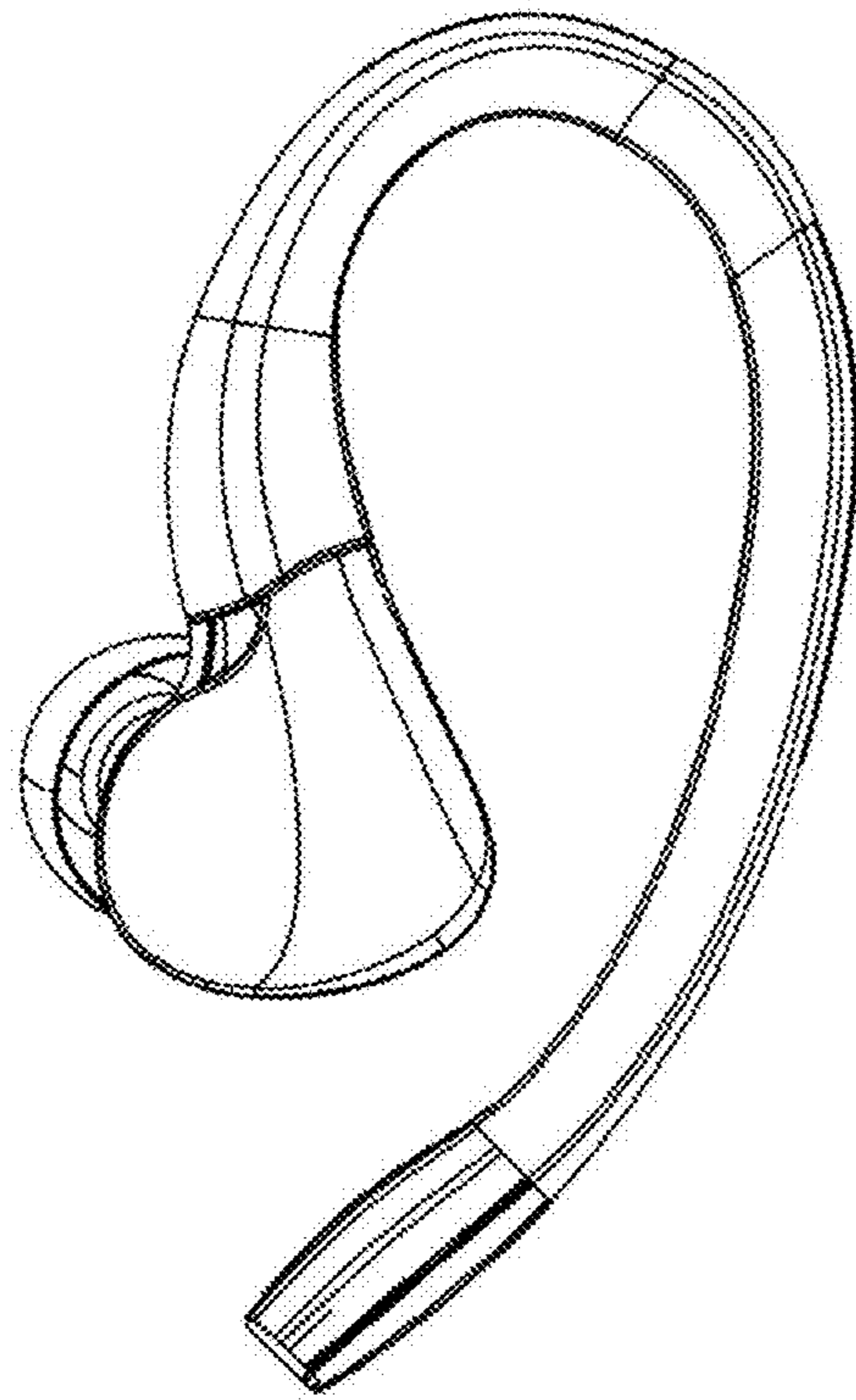


FIG. 7