



US00D850406S

(12) **United States Design Patent**  
**Hembrey**

(10) **Patent No.:** **US D850,406 S**

(45) **Date of Patent:** **\*\* Jun. 4, 2019**

(54) **HEADPHONE**

(71) Applicant: **Ooh Mommy LLC**, Manhasset, NY  
(US)

(72) Inventor: **Jason L. Hembrey**, Manhasset, NY  
(US)

(73) Assignee: **Ooh Mommy LLC**, Manhasset, NY  
(US)

(\*\*) Term: **15 Years**

(21) Appl. No.: **29/606,246**

(22) Filed: **Jun. 2, 2017**

(51) **LOC (11) Cl.** ..... **14-01**

(52) **U.S. Cl.**  
USPC ..... **D14/205**

(58) **Field of Classification Search**  
USPC ..... D14/205, 188, 192; D29/112; 2/209;  
181/129, 130, 135; 379/430, 431;  
381/380, 381, 374; 455/90.3, 575.1,  
455/569.1  
CPC .... H04R 1/1066; H04R 5/033; H04R 5/0335;  
H04R 25/00; H04R 1/1091; H04R 1/10  
See application file for complete search history.

(56) **References Cited**

**U.S. PATENT DOCUMENTS**

- 1,606,165 A \* 11/1926 Glenn ..... H01B 7/04  
123/633
- 1,648,832 A \* 11/1927 Urban ..... H04R 1/1008  
181/129
- 2,510,344 A \* 6/1950 Law ..... G03B 21/625  
359/457
- D246,259 S 11/1977 Nishimura
- D254,183 S 2/1980 Doodson
- D300,133 S 3/1989 Daidoh
- D313,092 S 12/1990 Nilsson
- D328,074 S \* 7/1992 Yamazaki ..... D14/205
- D328,461 S \* 8/1992 Daido ..... D14/205

- D351,172 S \* 10/1994 Nakamura ..... D14/205
- D352,036 S 11/1994 Sekita
- 5,406,037 A \* 4/1995 Nageno ..... H04R 5/0335  
181/129

(Continued)

**OTHER PUBLICATIONS**

<https://www.lilgadgets.com/products/connect> downloaded on Aug. 2, 2016.

*Primary Examiner* — Paula Allen Greene

(74) *Attorney, Agent, or Firm* — Myers Wolin, LLC

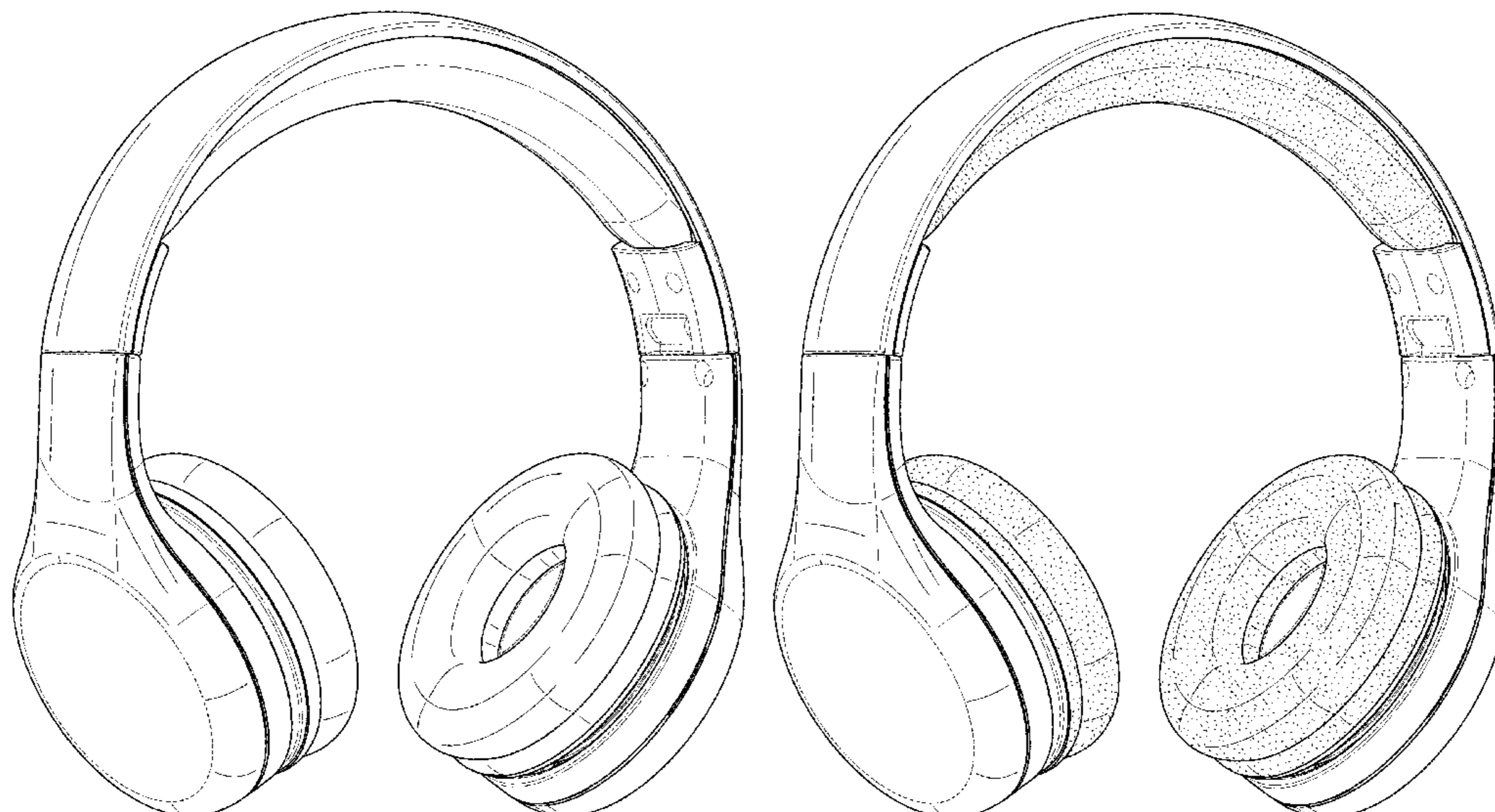
(57) **CLAIM**

The ornamental design for a headphone, as shown and described.

**DESCRIPTION**

FIG. 1 is a perspective view of one embodiment of a headphone showing my new design;  
 FIG. 2 is a front elevation view thereof;  
 FIG. 3 is a rear elevation view thereof;  
 FIG. 4 is a right side elevation view thereof, the left side elevation view being a mirror-image thereof;  
 FIG. 5 is a top view thereof;  
 FIG. 6 is a bottom view thereof;  
 FIG. 7 is a front view in an alternate folding configuration;  
 FIG. 8 is a perspective view of an alternative embodiment of a headphone showing my new design;  
 FIG. 9 is a front elevation view thereof;  
 FIG. 10 is a rear elevation view thereof;  
 FIG. 11 is a right side elevation view thereof, the left side elevation view being a mirror-image thereof;  
 FIG. 12 is a top view thereof;  
 FIG. 13 is a bottom view thereof; and,  
 FIG. 14 is a front view in an alternate folding configuration.  
 The broken lines are for illustrative purposes only and form no part of the claimed design.

**1 Claim, 12 Drawing Sheets**



US D850,406 S

Page 2

(56)

References Cited

U.S. PATENT DOCUMENTS

D359,049 S	6/1995	Kanno	
5,640,458 A *	6/1997	Nishiguchi	G11C 7/16 381/2
D386,181 S	11/1997	Fisher	
6,081,604 A *	6/2000	Hikichi	H04R 1/083 381/124
D444,140 S	6/2001	Ishibashi	
D473,539 S	4/2003	O'Leary	
D484,485 S	12/2003	Matsuoka	
6,654,966 B2 *	12/2003	Rolla	H04R 1/1066 2/209
D491,163 S *	6/2004	Green	D14/205
D504,414 S	4/2005	Yoshida	
D505,411 S	5/2005	Sakai	
D508,908 S	8/2005	Chueh	
6,993,143 B2 *	1/2006	Harris	H04R 1/1066 381/374
7,072,483 B2 *	7/2006	Lenhard-Backhaus	H04R 1/1066 381/370
D534,155 S *	12/2006	Obata	D14/205
D534,156 S	12/2006	Obata	
D549,688 S	8/2007	Suzuki	
D557,684 S	12/2007	Pundsack	
D563,382 S *	3/2008	Wikel	D14/205
D571,354 S	6/2008	Ng	
D573,581 S *	7/2008	Gondo	D14/205
D581,394 S *	11/2008	Lee	D14/205
D585,871 S *	2/2009	Lee	D14/205
D587,683 S	3/2009	Ham	
D588,098 S *	3/2009	Kurihara	D14/205
D588,100 S	3/2009	Densho	
D591,263 S *	4/2009	Shimizu	D14/205
D592,640 S	5/2009	Tkachuk	
D593,995 S *	6/2009	Shimizu	D14/205
D594,847 S *	6/2009	Suzuki	D14/205
D603,370 S *	11/2009	Suzuki	D14/205
D609,694 S	2/2010	Komiyama	
D620,474 S	7/2010	Komiyama	
D625,705 S *	10/2010	Ohori	D14/205
D632,668 S *	2/2011	Brunner	D14/205
D633,471 S	3/2011	Sugiyama	
D635,959 S *	4/2011	Hutchieson	D14/205
D637,176 S *	5/2011	Brunner	D14/205
D639,776 S *	6/2011	Arimoto	D14/205
D642,554 S *	8/2011	Schaal	D14/205
8,098,872 B2 *	1/2012	Chang	H04R 1/1075 381/370
D654,472 S	2/2012	Fischer	
D657,344 S *	4/2012	Brunner	D14/205
D657,346 S	4/2012	Park	
D658,158 S	4/2012	Suzuki	
D661,685 S	6/2012	Lee	
D662,080 S *	6/2012	Carr	D14/205
D662,912 S	7/2012	Iijima	
D663,717 S	7/2012	Hutchieson	
D665,775 S *	8/2012	Katsumata	D14/205
D666,990 S *	9/2012	Komiyama	D14/205
D669,450 S	10/2012	Katsumata	
D673,518 S	1/2013	Tan	
D673,929 S	1/2013	Combs	
D678,241 S	3/2013	Lee	
D678,859 S	3/2013	Lee	
D683,329 S *	5/2013	Hagelin	D14/205
D684,559 S	6/2013	Groset	
D685,762 S	7/2013	Nokuo	
D686,593 S	7/2013	Larsen	
D687,808 S	8/2013	Combs	
D690,282 S	9/2013	Lee	
D694,217 S	11/2013	Hwang	
D695,263 S	12/2013	Mogili	
D697,495 S	1/2014	Lian	
D706,240 S *	6/2014	Szymanski	H04R 1/1066 D14/205
D706,241 S *	6/2014	Szymanski	H04R 1/1066 D14/205
D707,659 S	6/2014	Henning	
D708,162 S	7/2014	Wenger	
D713,374 S	9/2014	Farrage	
D714,255 S	9/2014	Sparks	
D716,761 S	11/2014	Cho	
D719,135 S	12/2014	Kelley	
D721,052 S *	1/2015	Carr	D14/205
D721,055 S	1/2015	Sparks	
D722,041 S	2/2015	Sparks	
D724,560 S	3/2015	Galler	
D729,194 S *	5/2015	Boeckel	D14/205
D729,196 S	5/2015	Liu	
9,025,806 B2	5/2015	Krissman	
D732,001 S	6/2015	Licht	
D733,090 S *	6/2015	Petersen	D14/205
D735,161 S	7/2015	Sparks	
D735,691 S	8/2015	Sparks	
D737,821 S	9/2015	Cho	
D758,337 S *	6/2016	Szymanski	D14/205
D762,190 S *	7/2016	Levine	D14/205
D767,531 S *	9/2016	Szymanski	D14/205
D768,111 S	10/2016	Nam	
D769,840 S	10/2016	Henning	
D773,438 S	12/2016	Walker	
D776,081 S	1/2017	Willman	
D780,713 S *	3/2017	Szymanski	D14/205
D781,265 S *	3/2017	Levine	D14/205
D786,824 S *	5/2017	Hembrey	D14/205
D787,470 S *	5/2017	Kelly	D14/205
D811,365 S *	2/2018	Czaniecki	D14/205
9,933,995 B2 *	4/2018	Walti	G06F 3/167
D826,208 S *	8/2018	Czaniecki	D14/205
2005/0053255 A1 *	3/2005	Harris	H04R 1/1066 381/379
2014/0254854 A1 *	9/2014	Blonder	H04R 1/1066 381/371
2016/0216943 A1 *	7/2016	Walti	G06F 1/163

\* cited by examiner



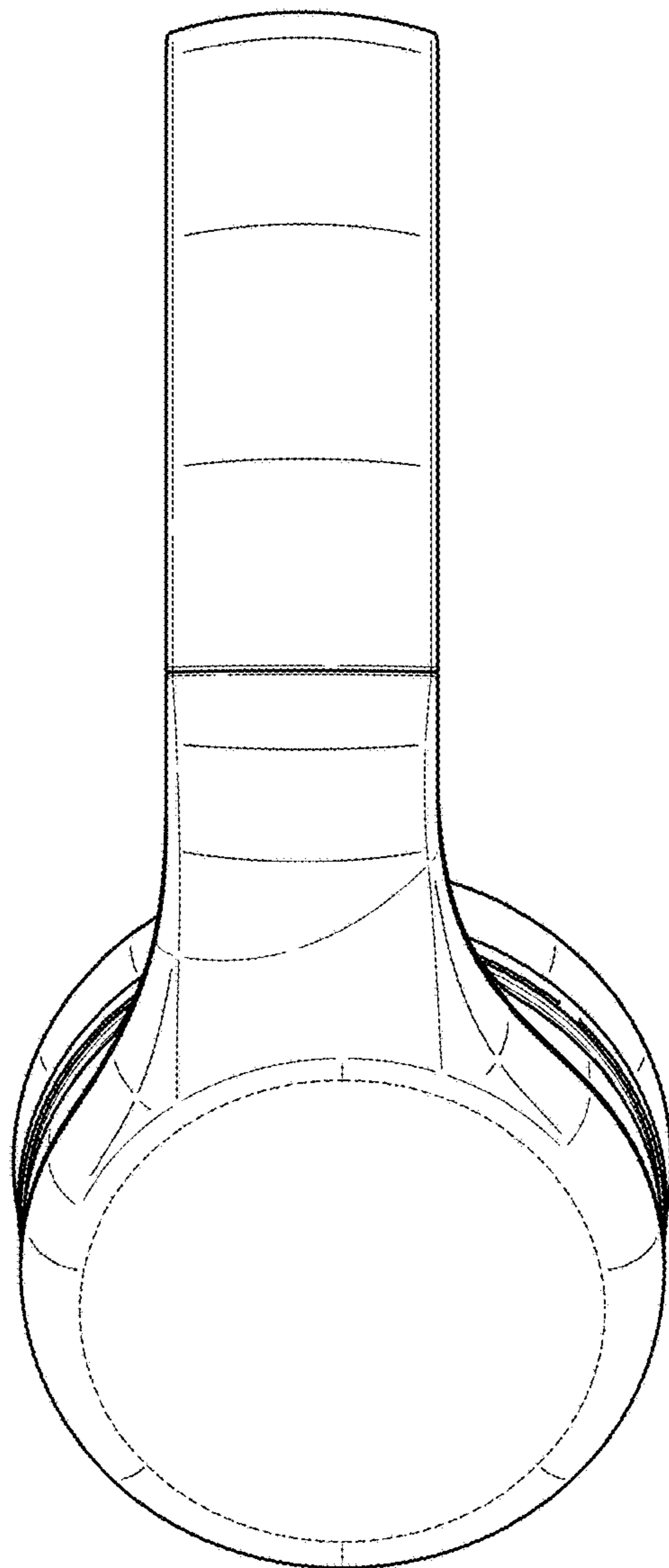
*FIG. 1*



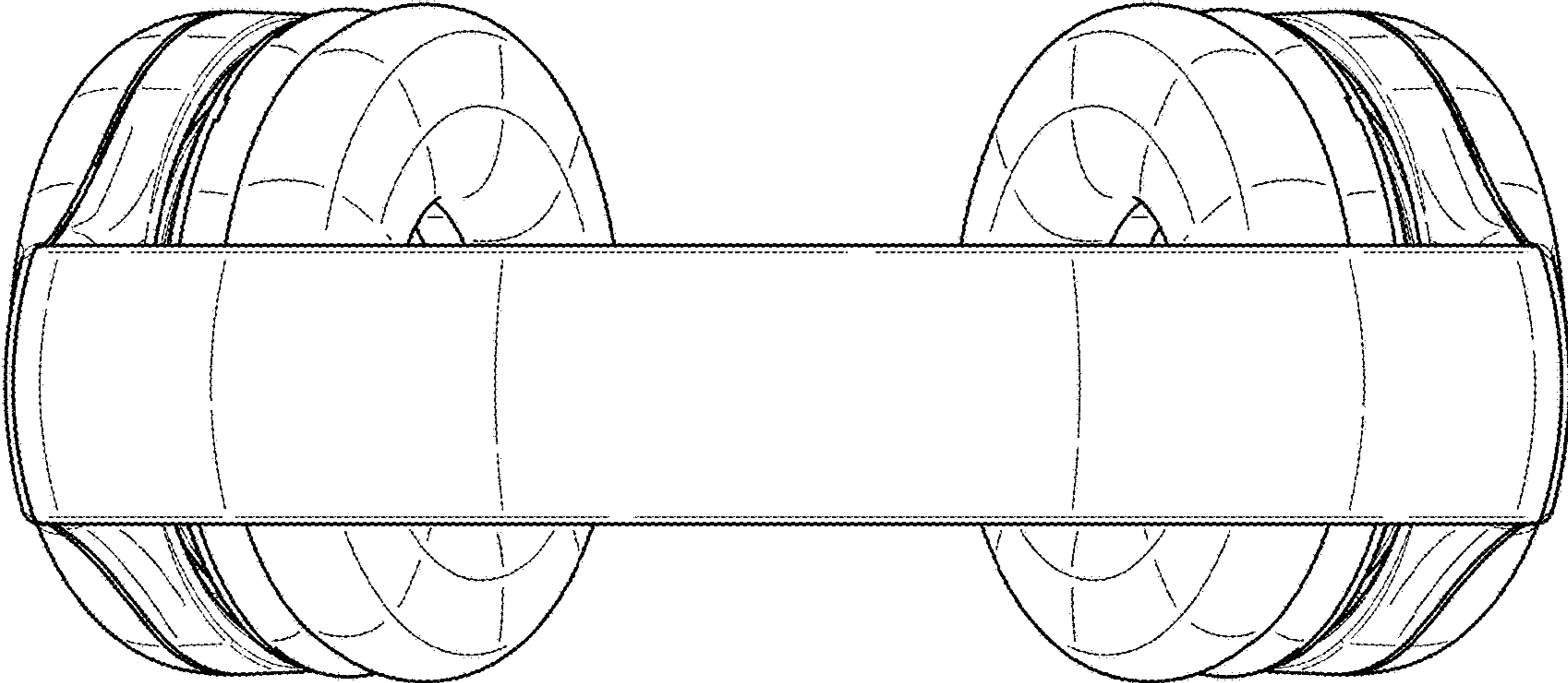
*FIG. 2*



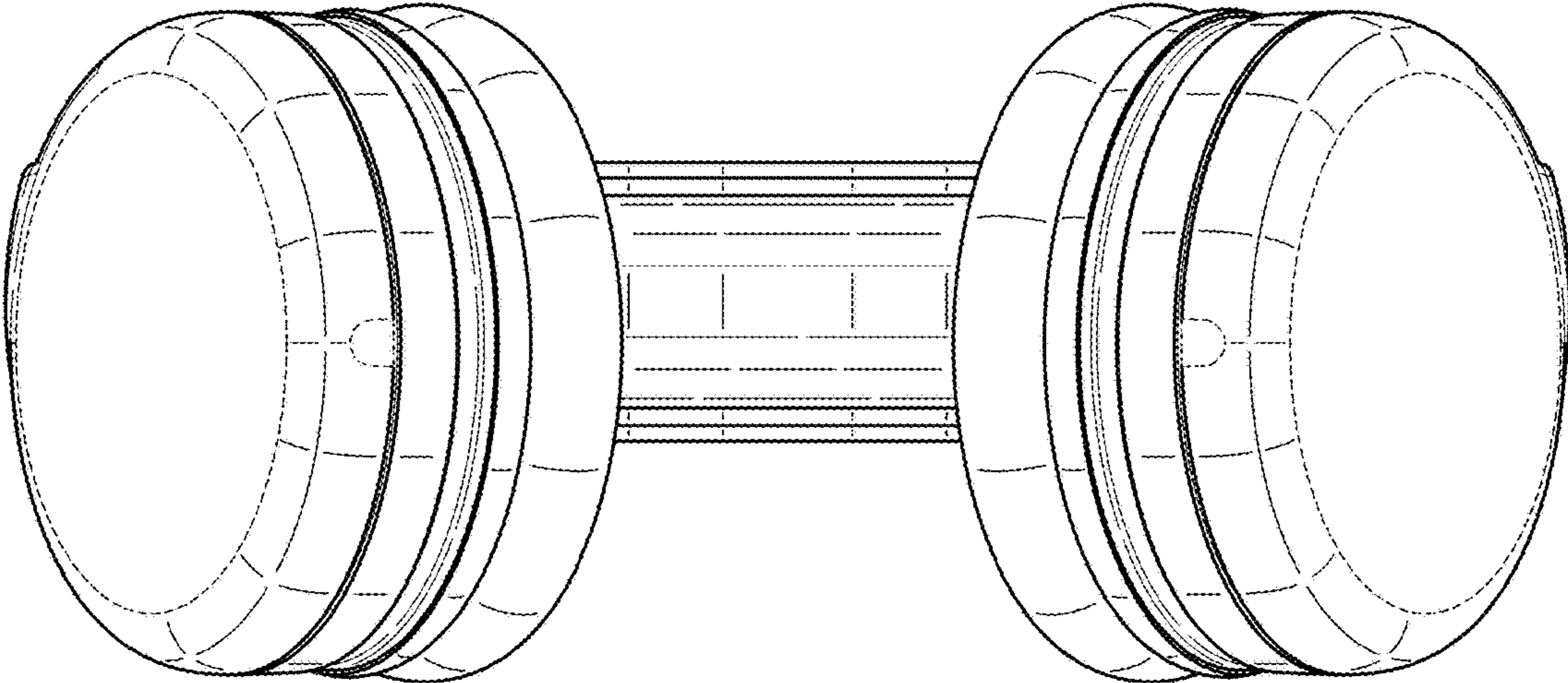
*FIG. 3*



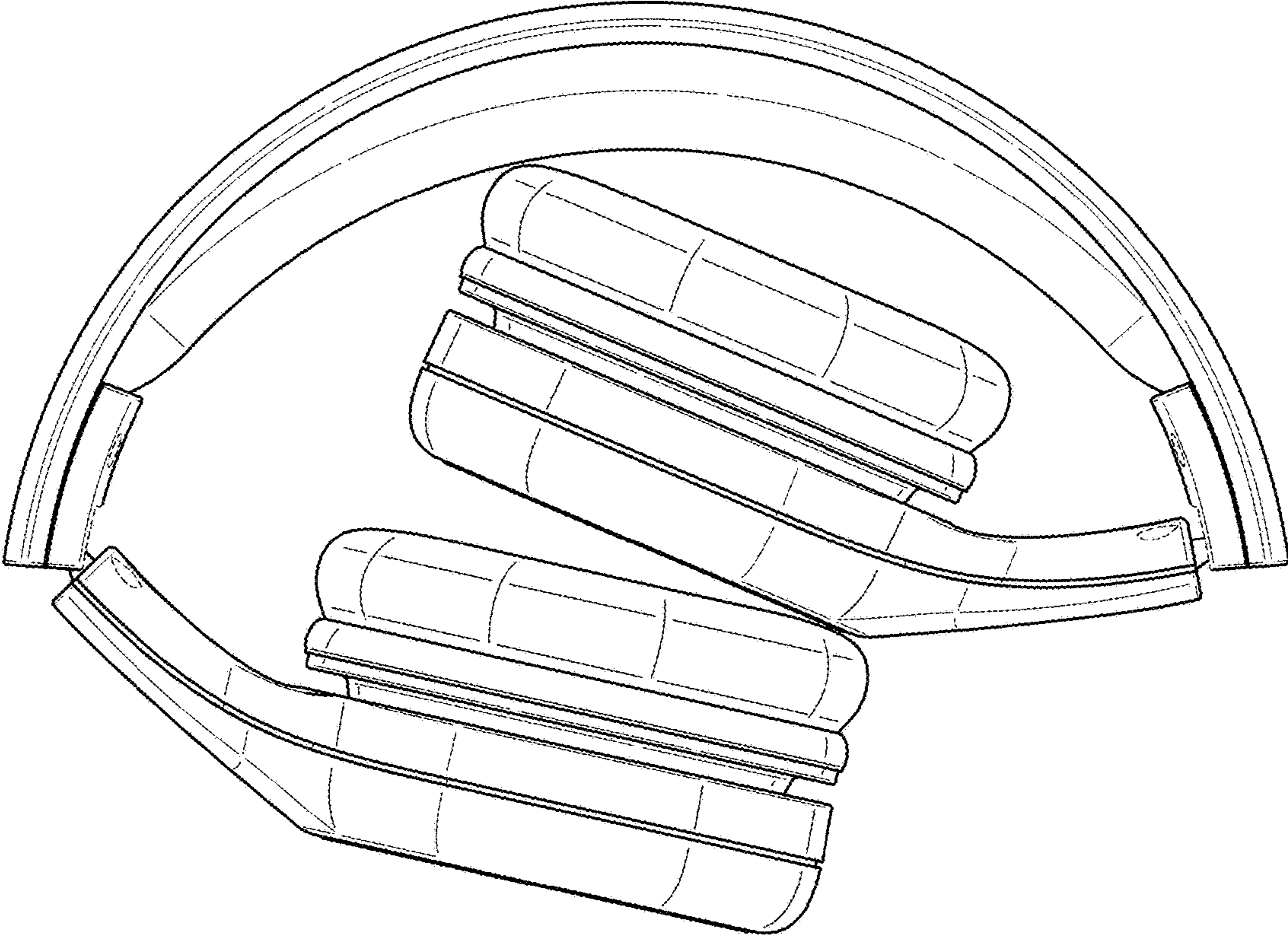
*FIG. 4*



*FIG. 5*



*FIG. 6*

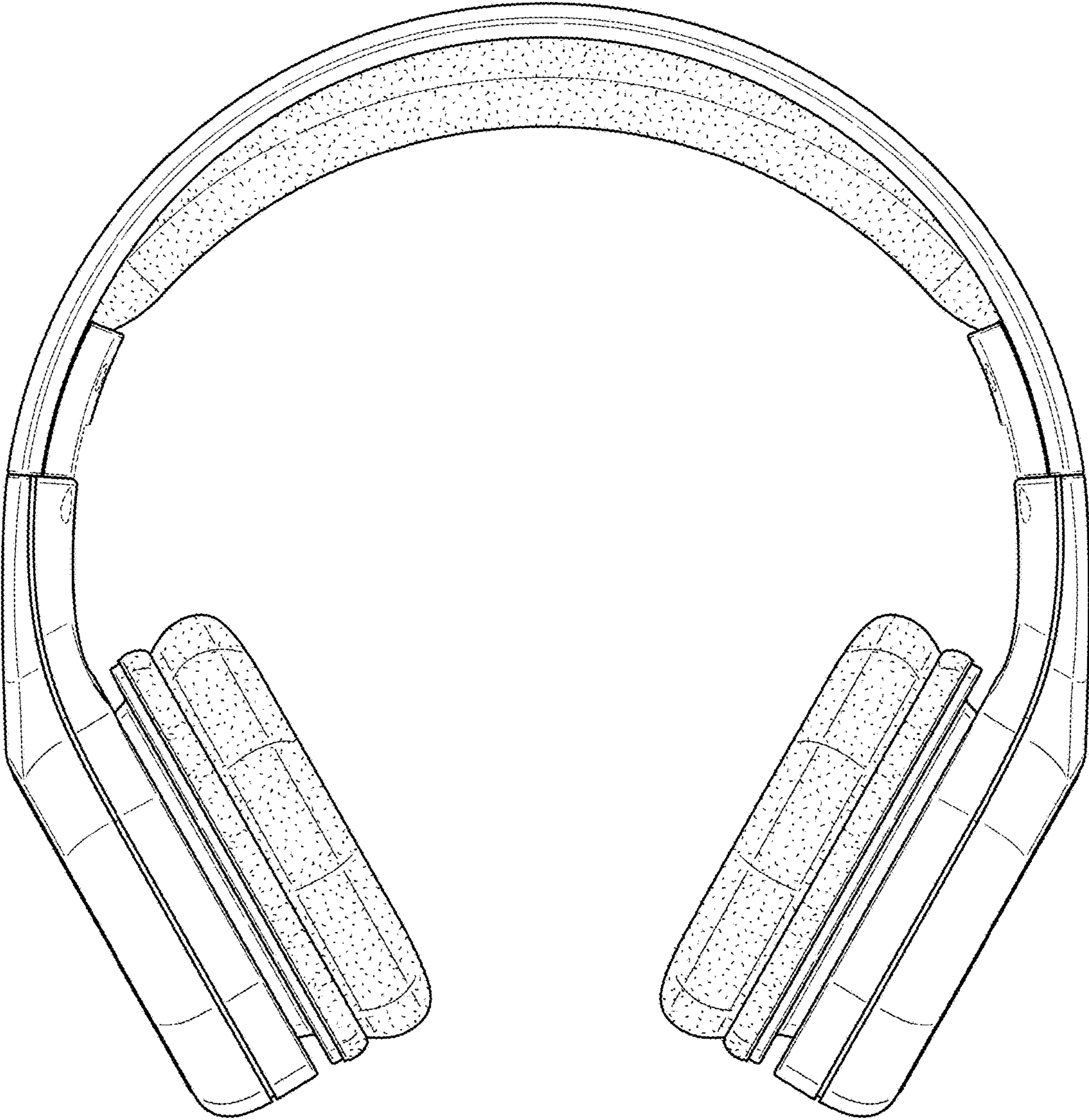


*FIG. 7*





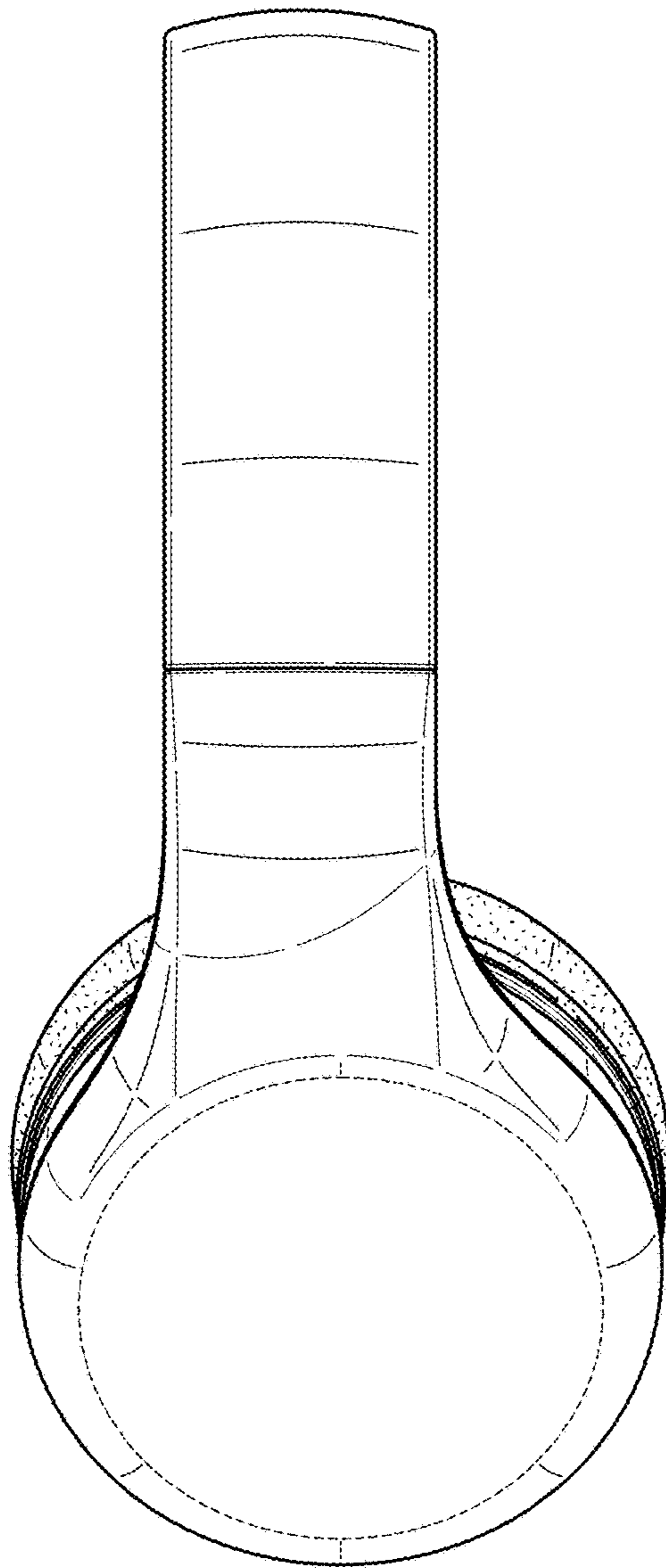
*FIG. 8*



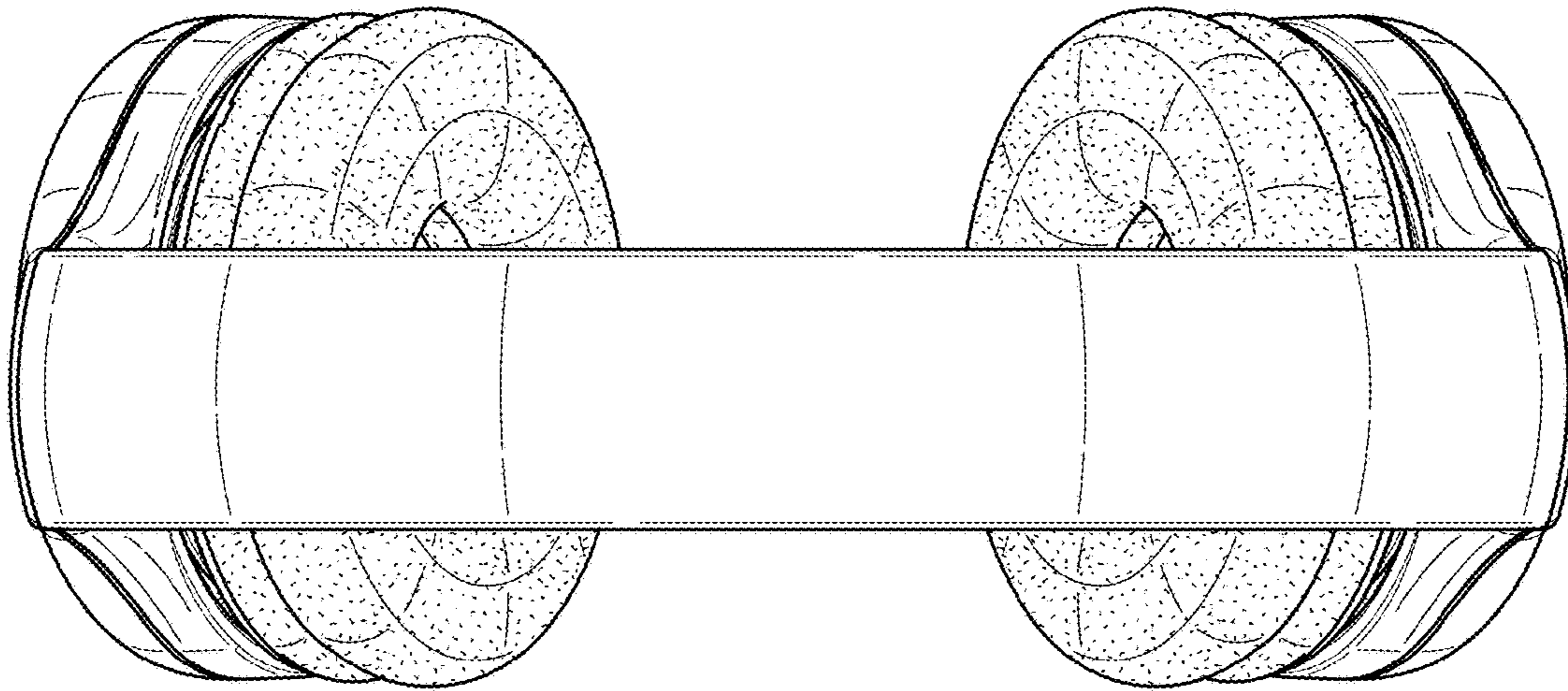
*FIG. 9*



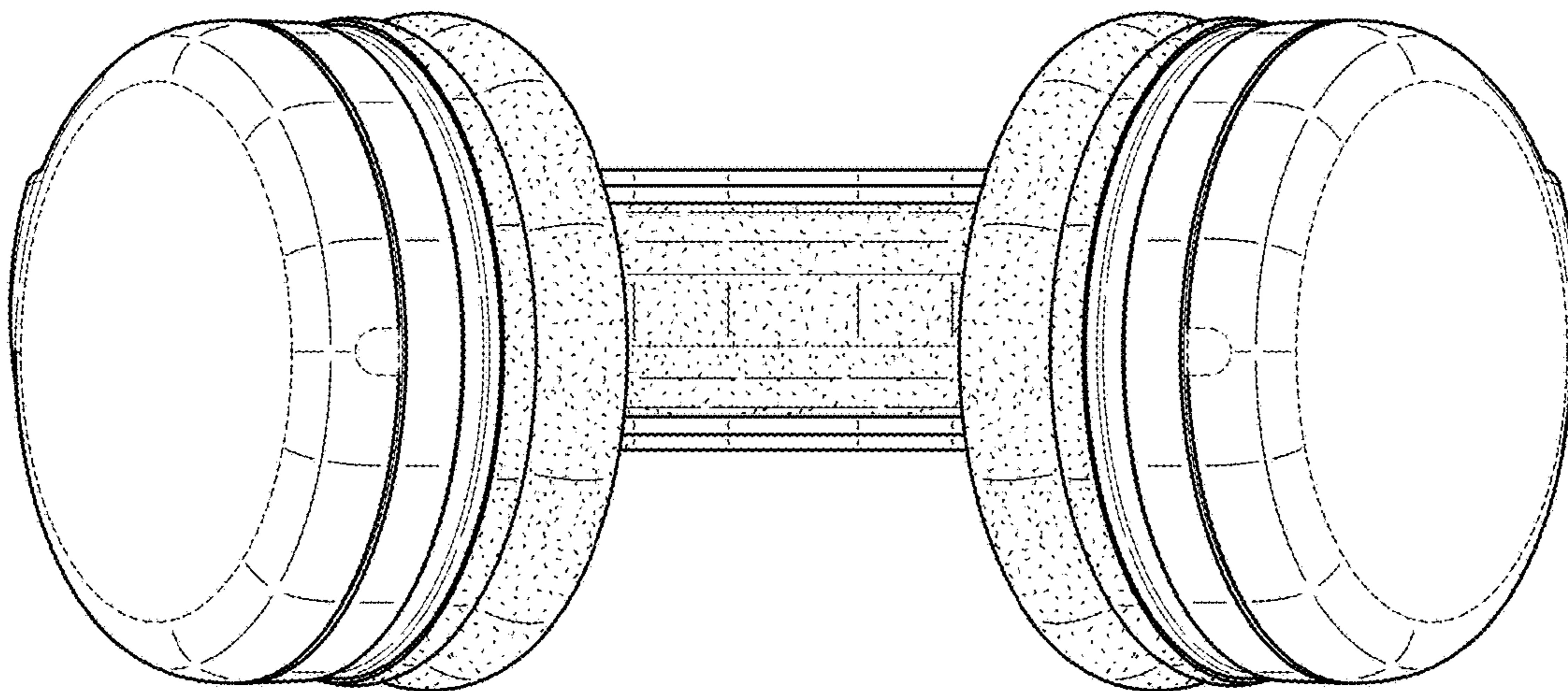
*FIG. 10*



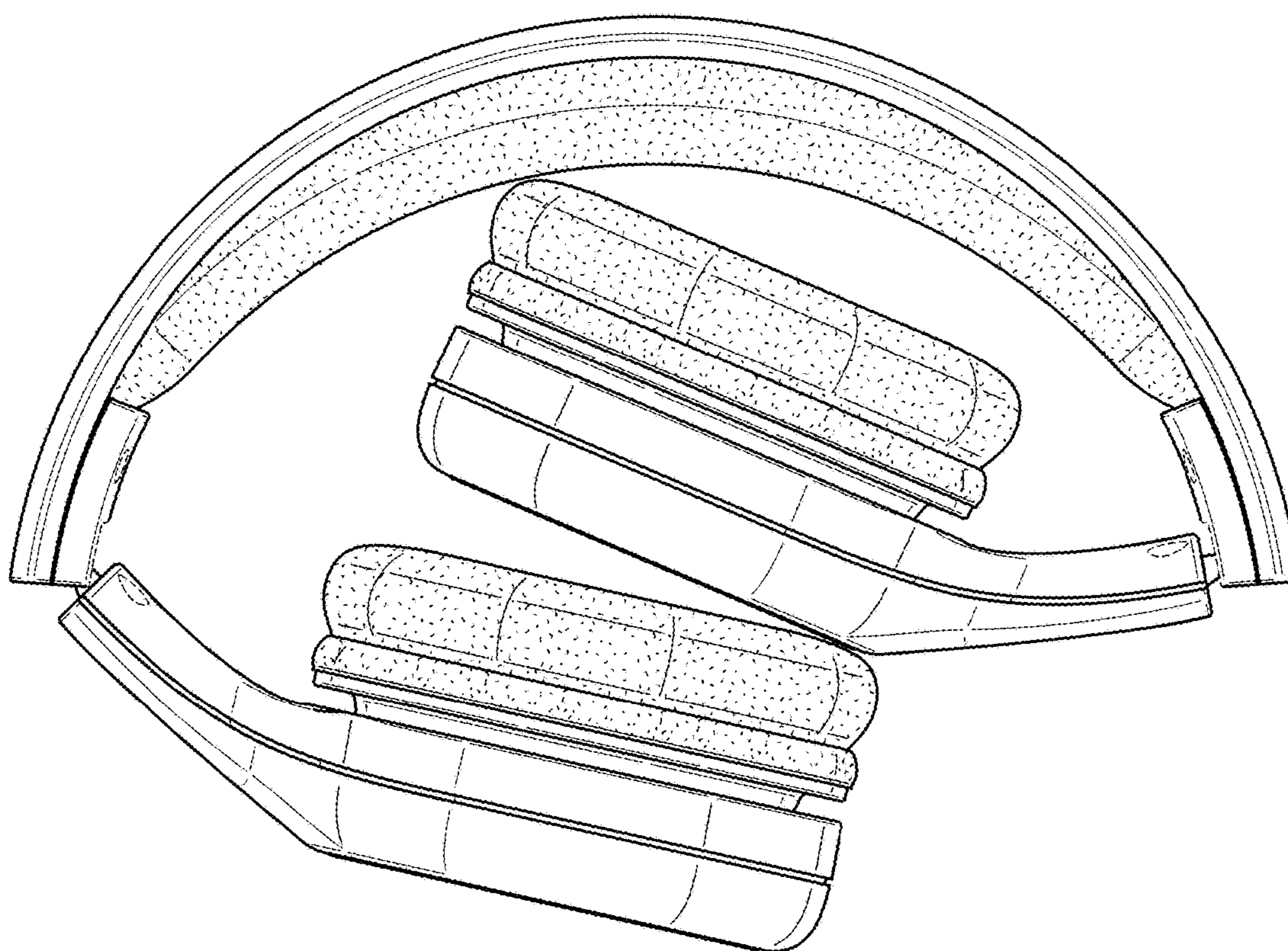
*FIG. 11*



*FIG. 12*



*FIG. 13*



*FIG. 14*