



US00D850405S

(12) **United States Design Patent**
Turgel et al.

(10) **Patent No.:** **US D850,405 S**
(45) **Date of Patent:** **** Jun. 4, 2019**

- (54) **SPEAKER**
- (71) Applicant: **Peloton Technology, Inc.**, Mountain View, CA (US)
- (72) Inventors: **Ariel David Turgel**, San Francisco, CA (US); **Daniel Kendall Harden**, Palo Alto, CA (US); **Mark Hearn**, San Francisco, CA (US); **Brian Leach**, San Francisco, CA (US); **Oliver Thomas Bayley**, Pacifica, CA (US)
- (73) Assignee: **PELTON TECHNOLOGY, INC.**, Mountain View, CA (US)

- D487,449 S * 3/2004 Ota D14/168
- D604,605 S * 11/2009 Chung D9/432
- D629,827 S * 12/2010 Morenstein D16/221
- D668,143 S * 10/2012 Akana D14/496
- D755,154 S * 5/2016 Paterson D14/204

* cited by examiner

Primary Examiner — Derrick E Holland
Assistant Examiner — Janice Patyk
(74) *Attorney, Agent, or Firm* — Squire Patton Boggs (US) LLP

- (**) Term: **15 Years**
- (21) Appl. No.: **29/625,174**
- (22) Filed: **Nov. 7, 2017**
- (51) **LOC (11) Cl.** **14-01**
- (52) **U.S. Cl.**
USPC **D14/204**
- (58) **Field of Classification Search**
USPC D14/188, 203.1, 203.3, 204, 210–216,
D14/219, 221, 356, 363, 365–368, 496;
181/143, 144, 148, 153, 157, 198, 199;
369/6–12; 381/300–303, 361–364,
381/386–388
CPC H04R 1/02; H04R 1/021; H04R 1/023;
H04R 5/00; H04R 9/06; H04R 2420/07
See application file for complete search history.

(57) **CLAIM**

The ornamental design for a speaker, as shown and described.

DESCRIPTION

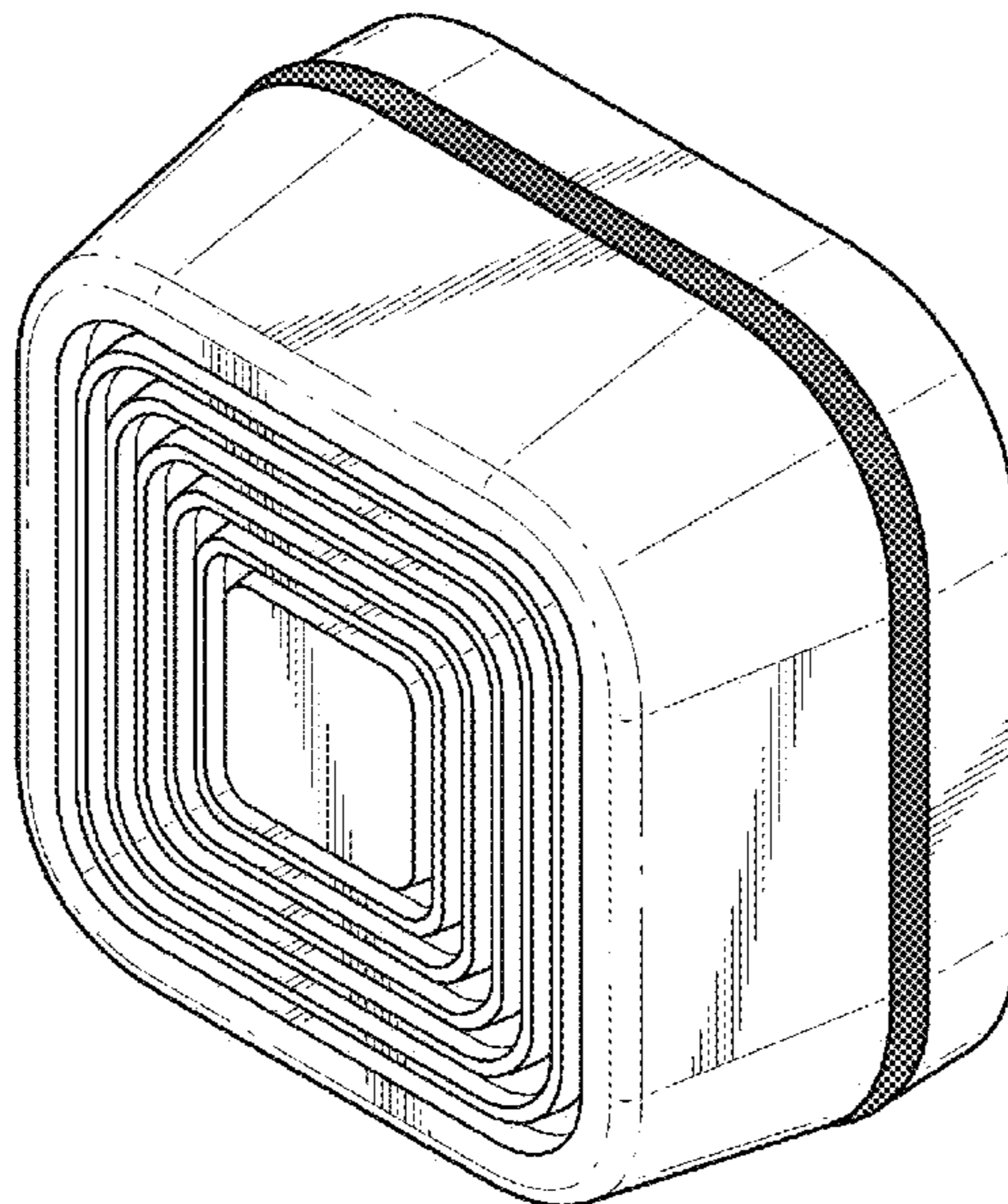
The patent or application file contains at least one drawing executed in color. Copies of this patent or patent application publication with color drawing(s) will be provided by the Office upon request and payment of the necessary fee.
FIG. 1 is a top perspective view of a speaker showing our new design.
FIG. 2 is a front view thereof.
FIG. 3 is a side view thereof; and,
FIG. 4 is back view thereof.
The broken lines in the figures illustrate the portions of the design that form no part of the claimed design.

(56) **References Cited**

U.S. PATENT DOCUMENTS

- D424,564 S * 5/2000 Quaglio D14/197
- D437,779 S * 2/2001 Randall D9/418

1 Claim, 3 Drawing Sheets
(3 of 3 Drawing Sheet(s) Filed in Color)



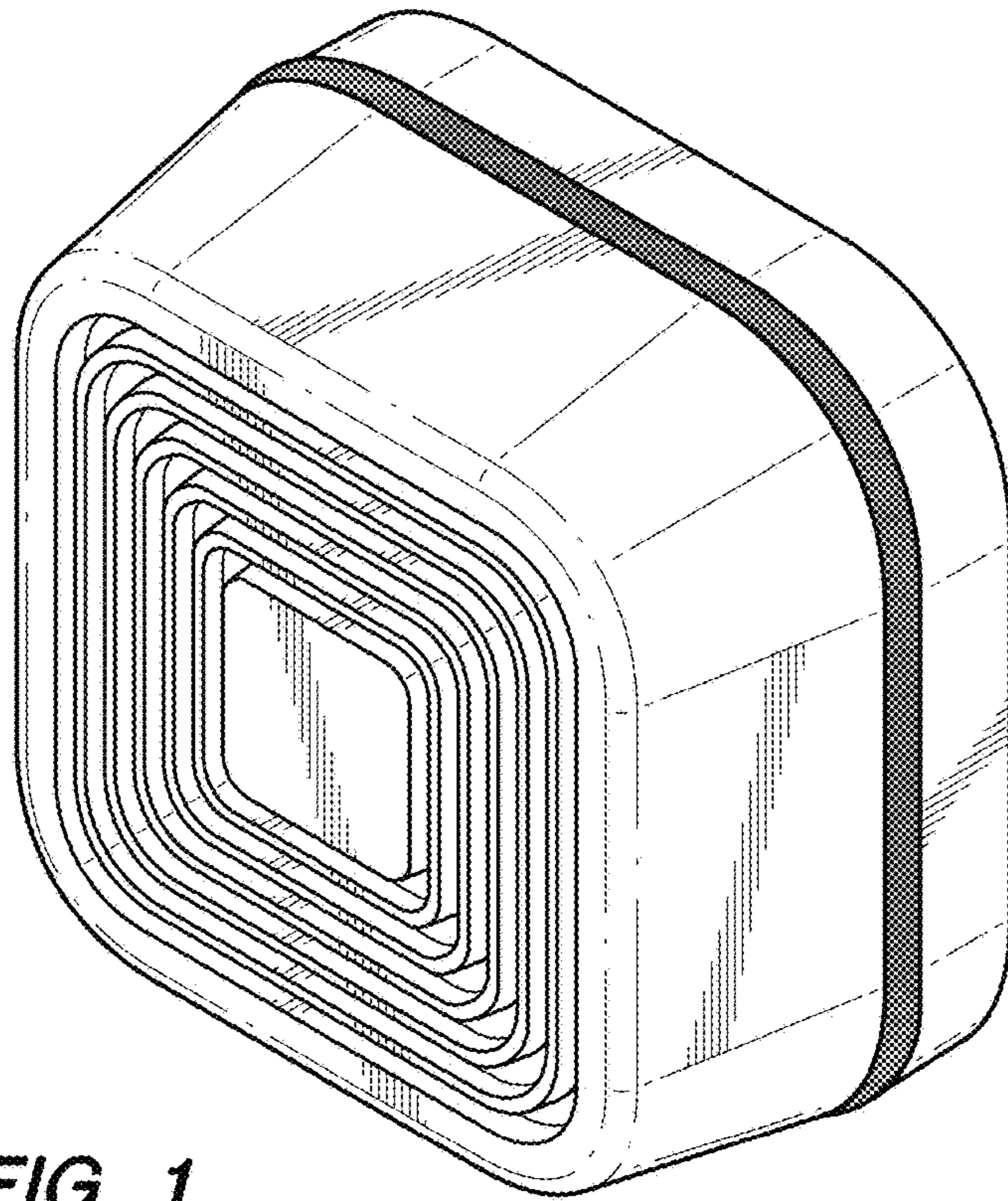


FIG. 1

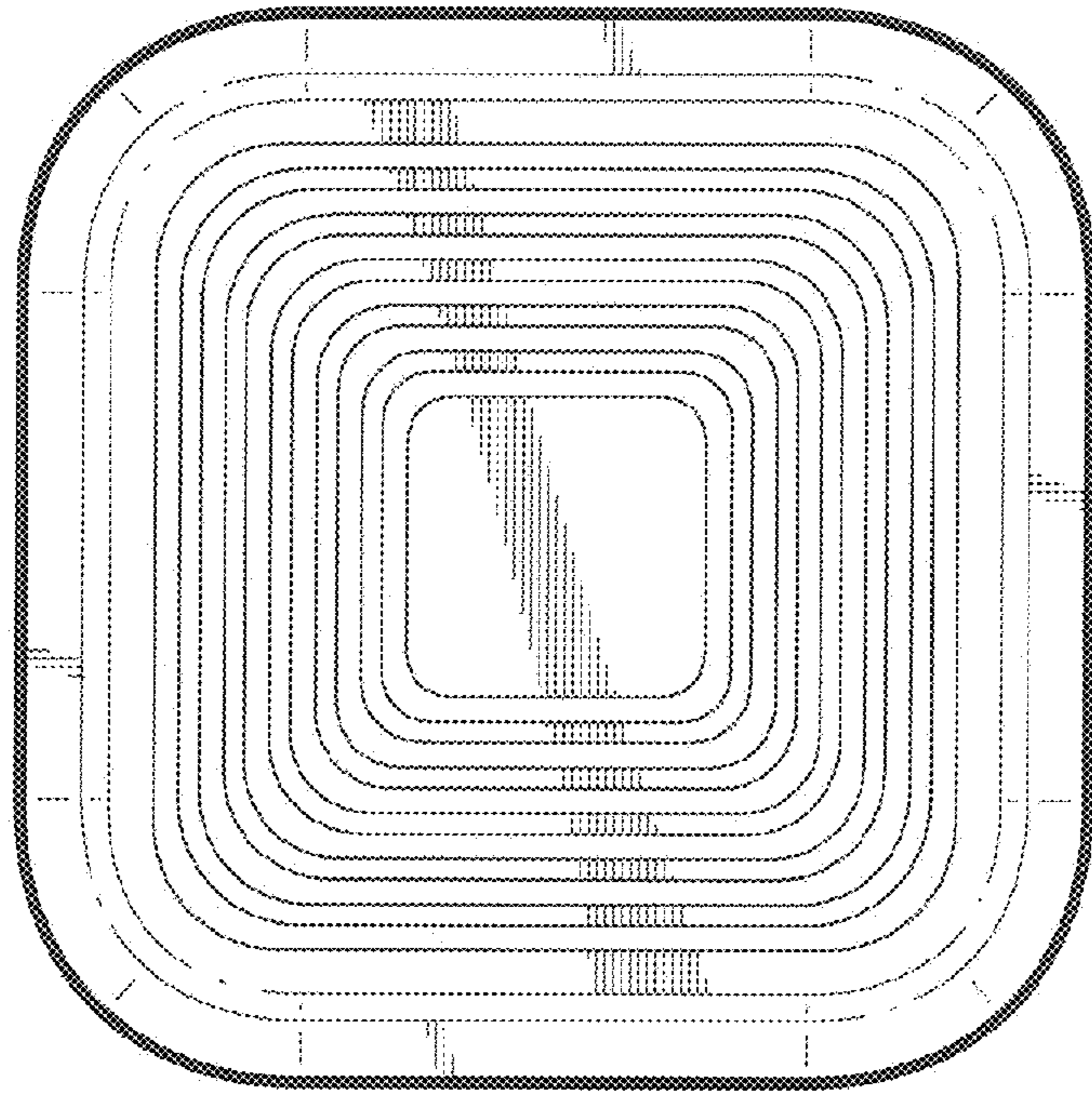


FIG. 2

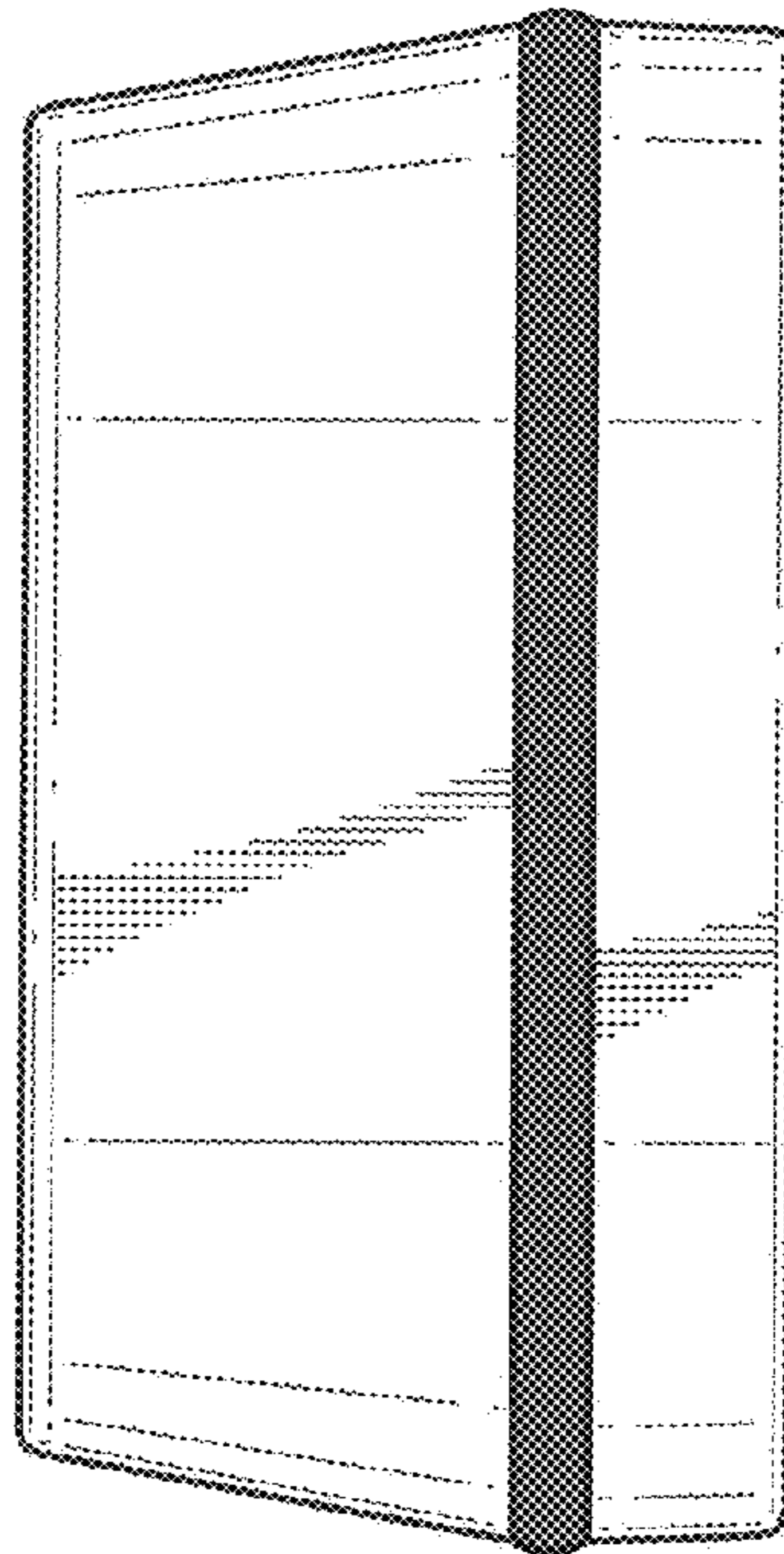


FIG. 3

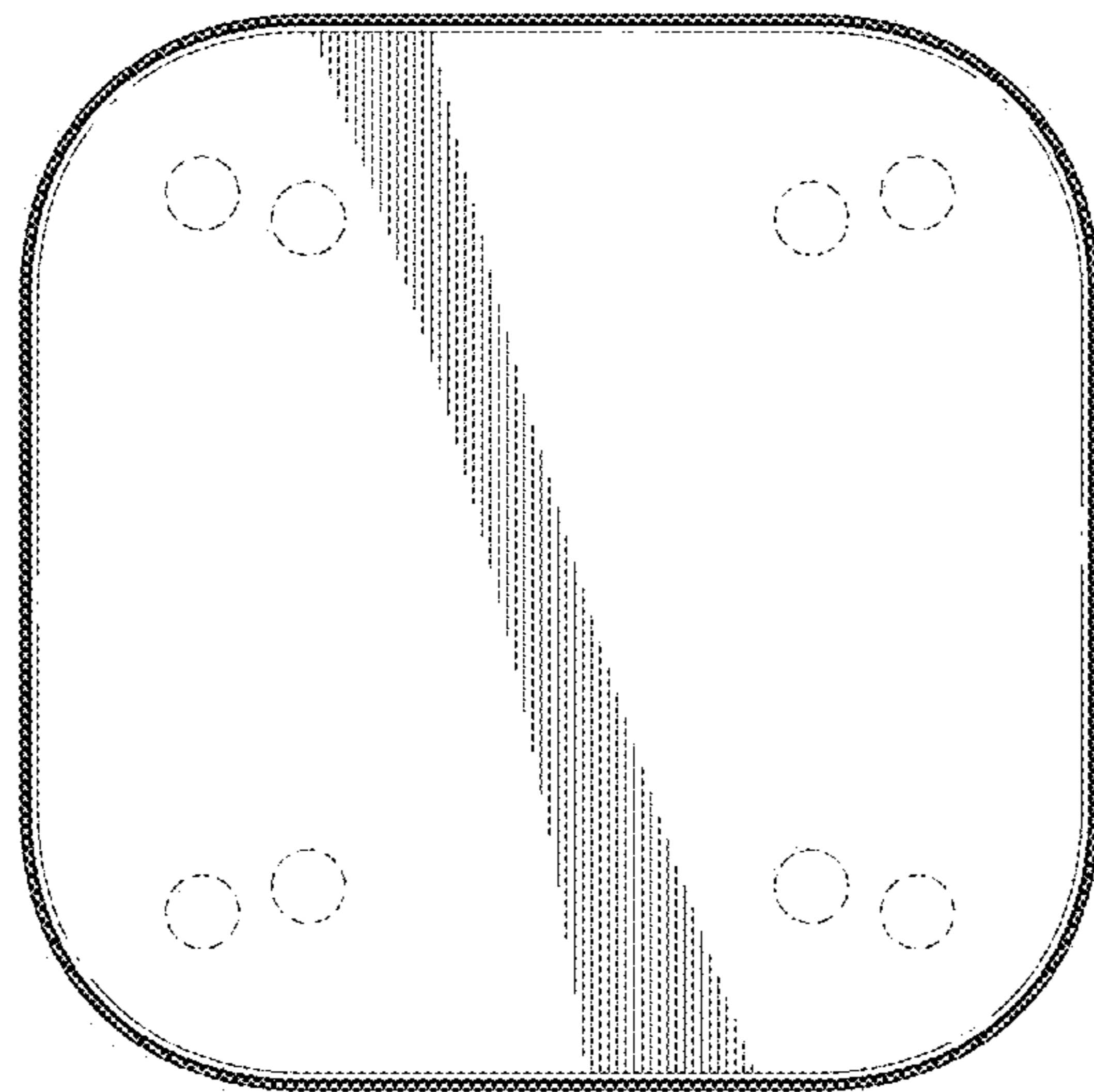


FIG. 4