



US00D850404S

(12) **United States Design Patent**  
**Corlade-Andrei et al.**

(10) **Patent No.:** **US D850,404 S**  
(45) **Date of Patent:** **\*\* Jun. 4, 2019**

- (54) **VOICE RECORDER DEVICE**
- (71) Applicant: **Atto Digital LLC**, Atlanta, GA (US)
- (72) Inventors: **Andrei Corlade-Andrei**, Iasi (RO);  
**Ioan Budeanu**, Iasi (RO)
- (73) Assignee: **ATTO DIGITAL LLC**, Atlanta, GA  
(US)
- (\*\*) Term: **15 Years**
- (21) Appl. No.: **29/672,344**
- (22) Filed: **Dec. 5, 2018**
- (51) **LOC (11) Cl.** ..... **14-01**
- (52) **U.S. Cl.**  
USPC ..... **D14/167**
- (58) **Field of Classification Search**  
USPC ..... D14/167, 154, 168, 188, 496, 156, 160,  
D14/161, 162, 163, 164, 165, 158, 203.1,  
D14/341, 346, 342, 345, 225, 226, 228,  
D14/227, 214; 455/351, 350; D19/60,  
D19/62; D21/330; 369/44.14, 44.32;  
700/94; D16/202  
CPC ..... H04N 13/004; H04N 5/85; H04N 9/8227;  
H04N 13/0055; H04N 19/597; H04N  
19/61; H04N 21/42646; H04N 21/4325;  
H04N 1/234327; G11B 27/034; G11B  
27/11  
See application file for complete search history.

- (56) **References Cited**  
U.S. PATENT DOCUMENTS  
D399,495 S \* 10/1998 Bachschmid ..... D13/177  
6,028,277 A \* 2/2000 Bachschmid ..... H01H 15/102  
200/508  
D465,468 S \* 11/2002 Kanno ..... D14/167  
D467,893 S \* 12/2002 Yamada ..... D14/167  
D470,470 S \* 2/2003 Yamada ..... D14/167  
D486,465 S \* 2/2004 Tanaka ..... D14/167

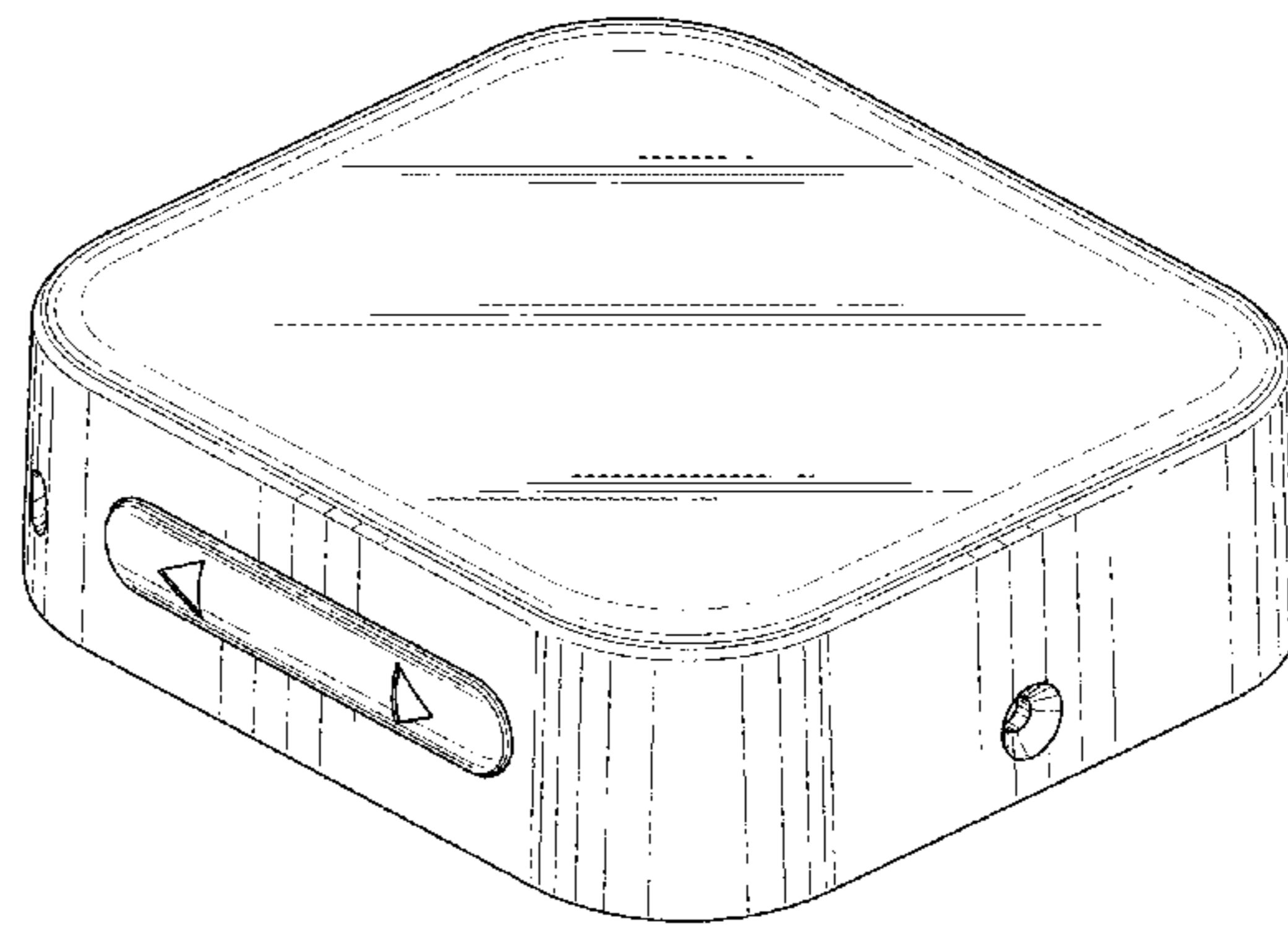
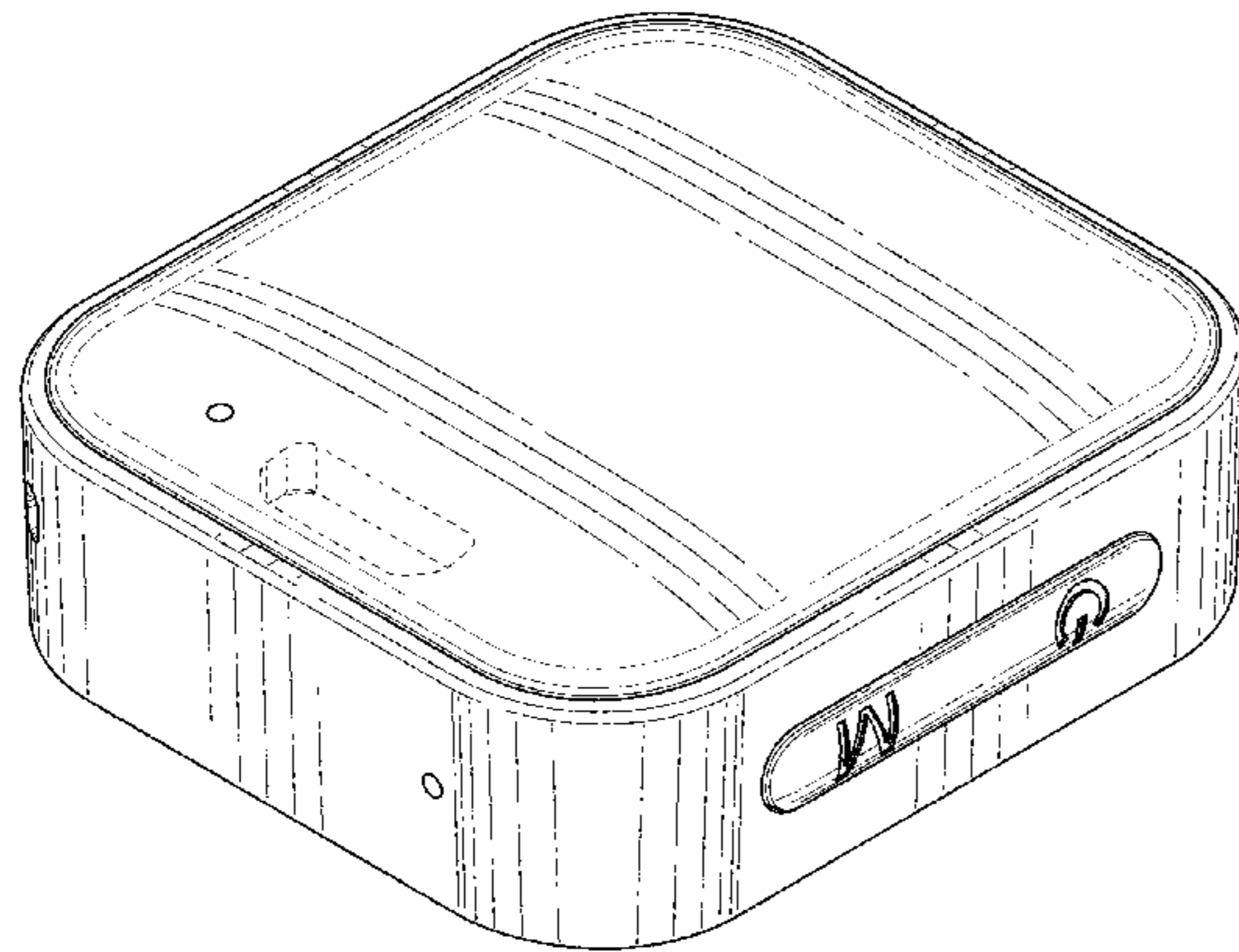
- D512,408 S \* 12/2005 Suzuki ..... D14/167
  - D513,617 S 1/2006 Tierney
  - D535,664 S \* 1/2007 Katayama ..... D14/167
  - D542,288 S 5/2007 Andre
  - D559,829 S \* 1/2008 Ranney ..... D14/167
  - D569,368 S \* 5/2008 Torkelson ..... D14/167
  - D579,440 S \* 10/2008 Wiley ..... D14/158
  - D592,177 S \* 5/2009 Dobbs ..... D14/158
  - D595,686 S \* 7/2009 Mosher ..... D14/158
  - D596,626 S 7/2009 Andre
  - D597,064 S \* 7/2009 Machida ..... D14/167
  - D601,583 S 10/2009 Andre
  - D624,524 S \* 9/2010 Terzigni ..... D14/167
  - D657,784 S 4/2012 Akana
  - D669,879 S \* 10/2012 Iijima ..... D14/167
  - D676,005 S 2/2013 Wood
  - D686,201 S 7/2013 Lee
  - D686,595 S 7/2013 Andre
  - D696,225 S \* 12/2013 Osada ..... D14/167
  - D707,198 S \* 6/2014 Bouzid ..... D14/167
- (Continued)

*Primary Examiner* — Austin Murphy  
(74) *Attorney, Agent, or Firm* — Mitchell Law PLLC;  
Matthew W. Mitchell

(57) **CLAIM**  
The ornamental design for a voice recorder device, as shown and described.

**DESCRIPTION**  
FIG. 1 is a rear isometric view of the voice recorder device of the present invention;  
FIG. 2 is a front isometric view thereof;  
FIG. 3 is a top plan view thereof;  
FIG. 4 is a right side view thereof;  
FIG. 5 is a bottom plan view thereof;  
FIG. 6 is a left side view thereof;  
FIG. 7 is a rear view thereof; and,  
FIG. 8 is a front view thereof.  
The broken lines represent unclaimed subject matter and form no part of the claim.

**1 Claim, 8 Drawing Sheets**



(56)

**References Cited**

U.S. PATENT DOCUMENTS

D709,854 S	*	7/2014	Pan .....	D14/159
D719,127 S	*	12/2014	Nishiwaki .....	D14/167
D723,479 S		3/2015	Lee	
D744,974 S	*	12/2015	Tang .....	D14/167
D780,137 S		2/2017	Tallqvist	
D783,552 S		4/2017	Hogan	
D794,019 S		8/2017	Kusano	
D794,695 S	*	8/2017	Zhang .....	D16/218
D798,903 S	*	10/2017	Isozaki .....	D14/496
D813,835 S	*	3/2018	Agranat .....	D14/167
D819,033 S	*	5/2018	Duran .....	D14/385
D824,346 S		7/2018	Kim	
D825,520 S	*	8/2018	Zhang .....	D14/167

\* cited by examiner

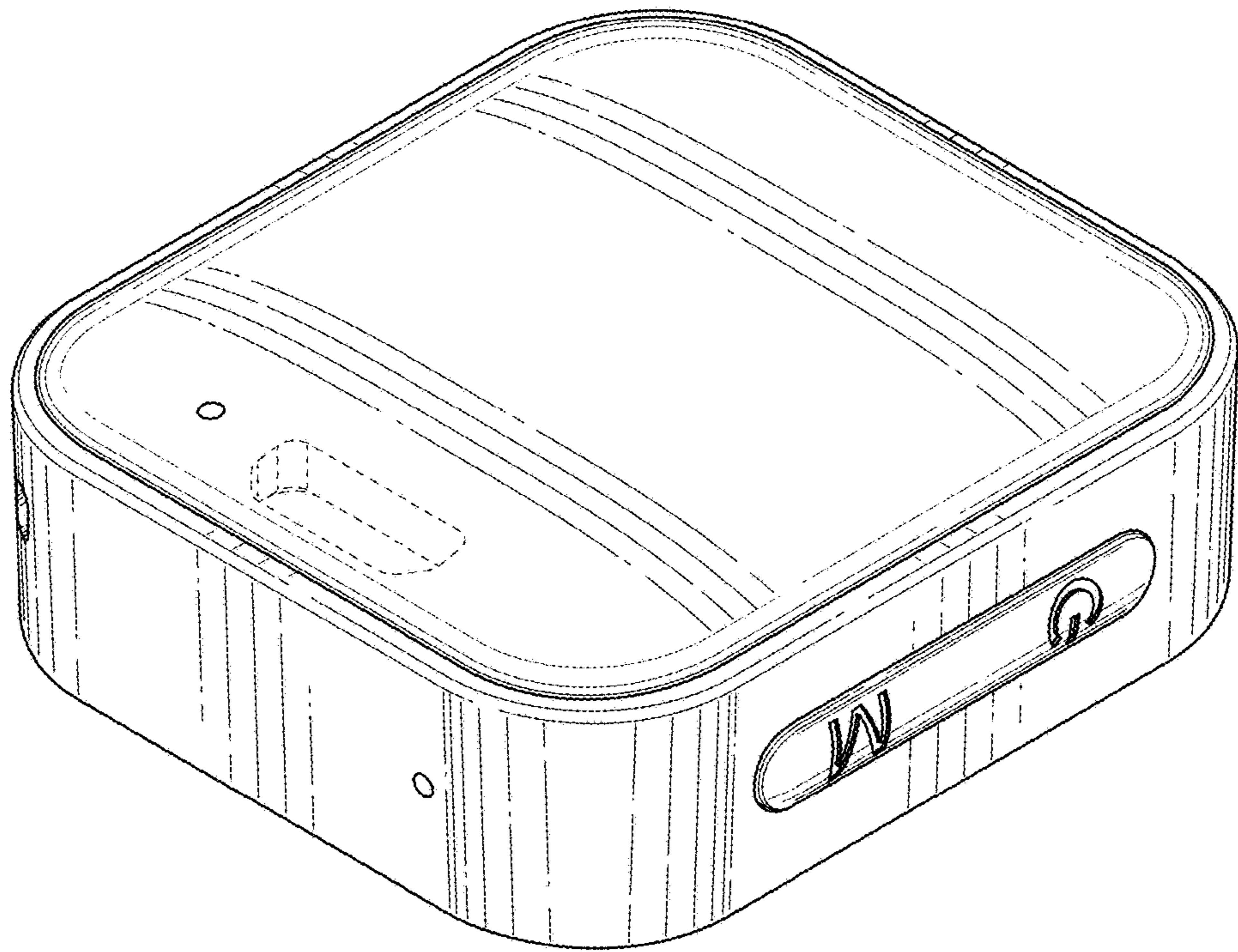


FIG. 1

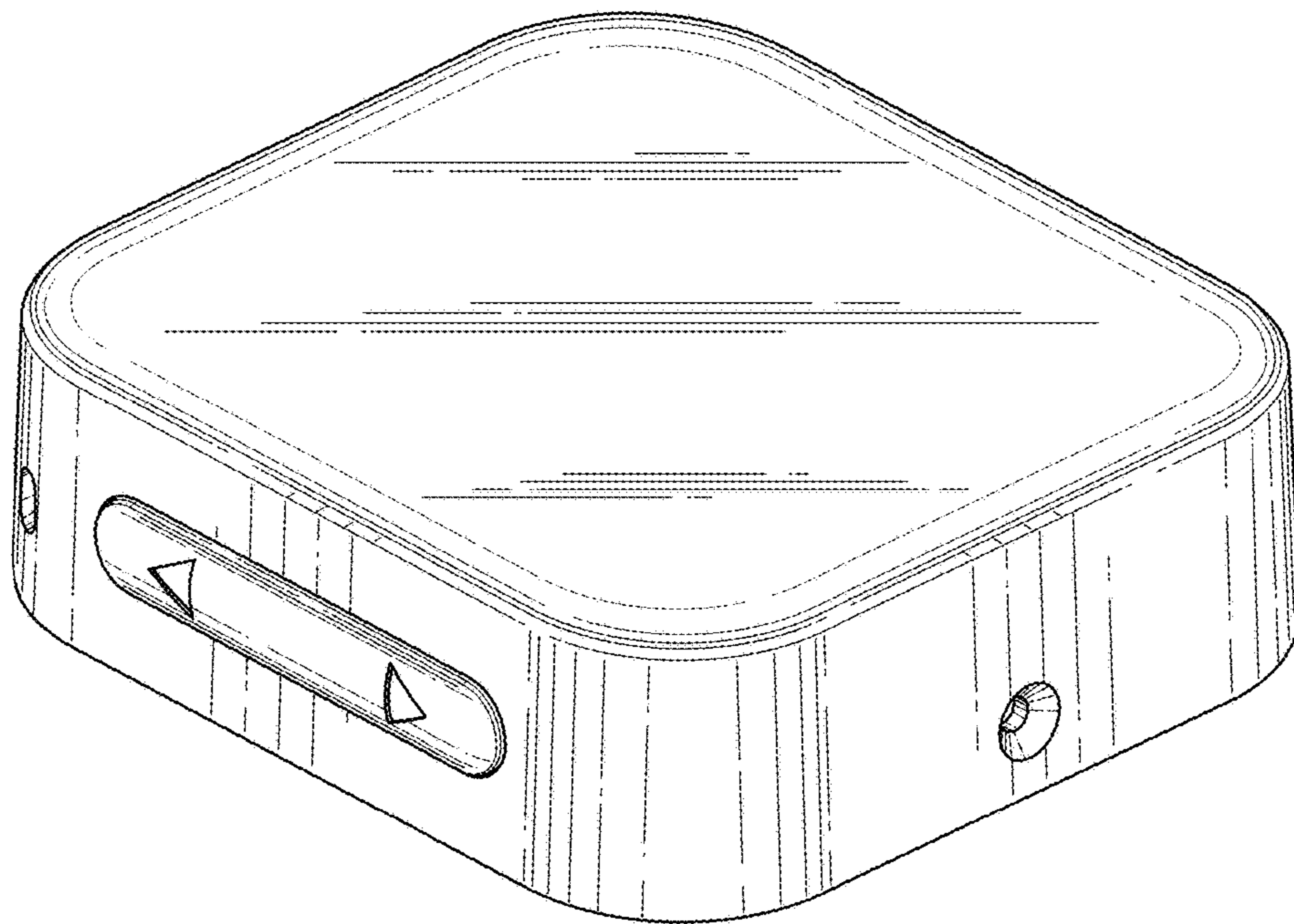


FIG. 2

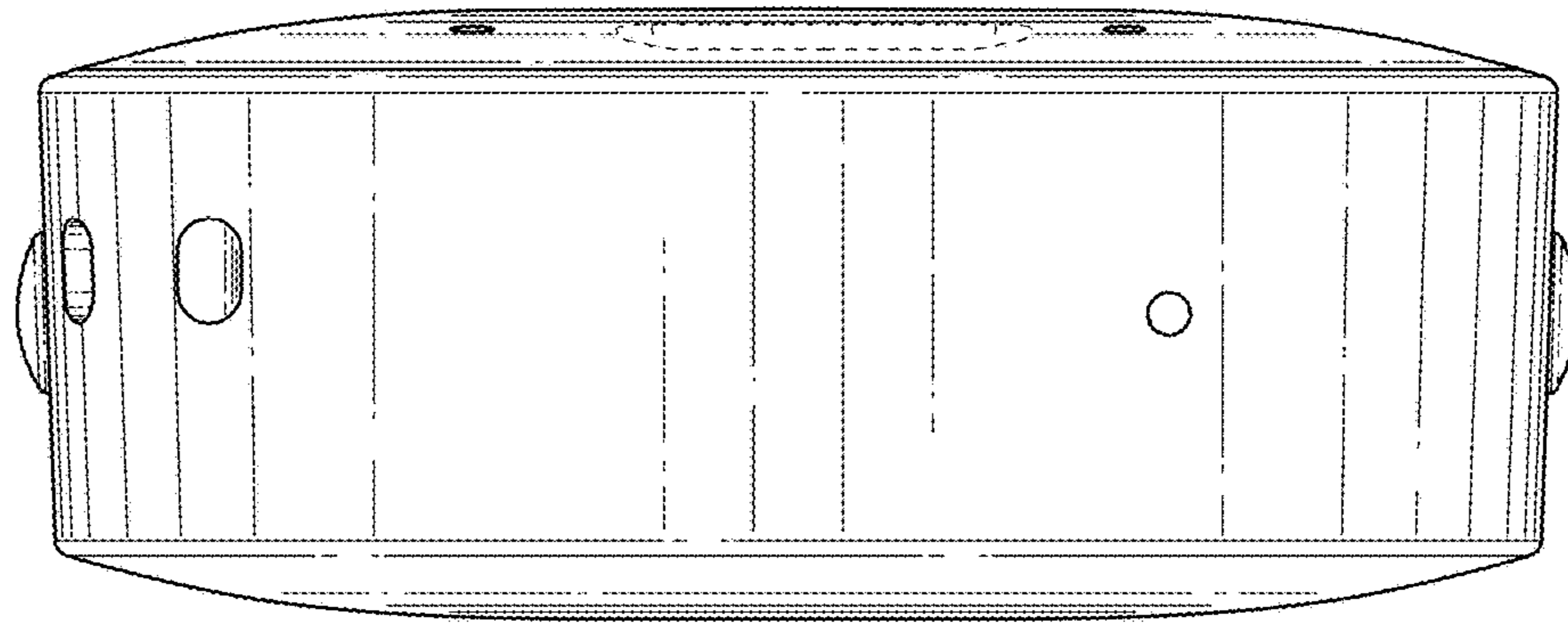


FIG. 3

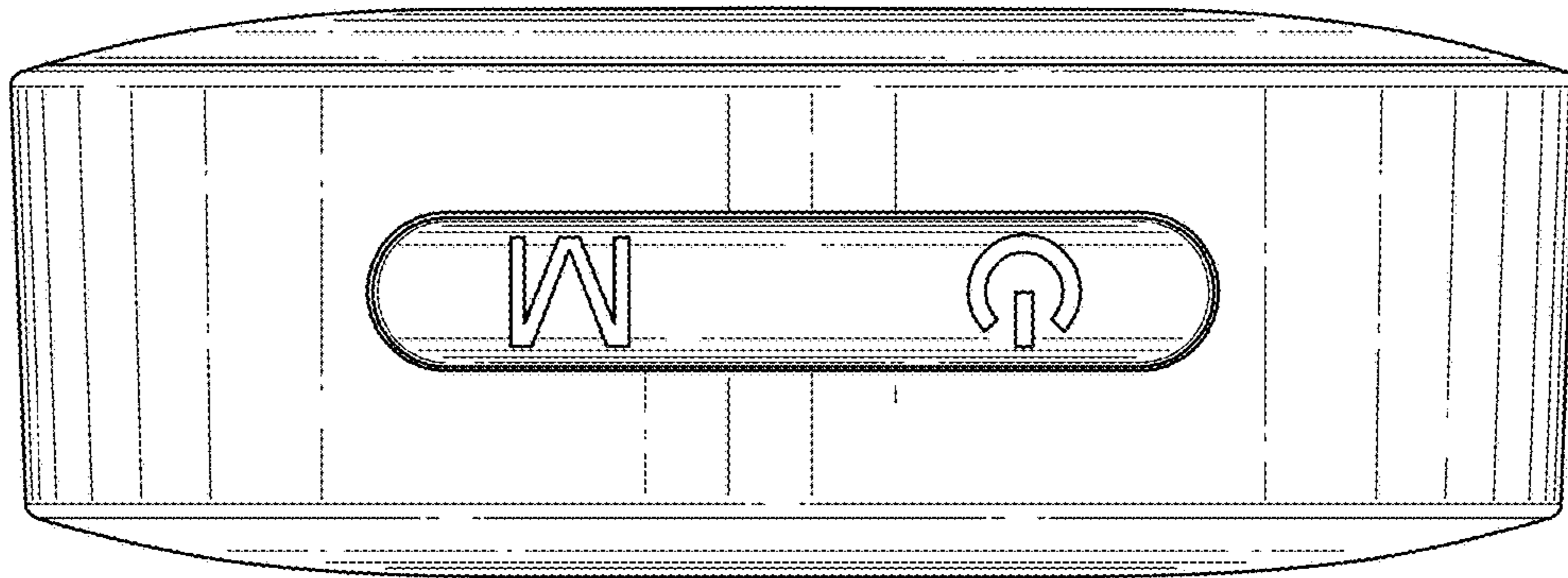


FIG. 4

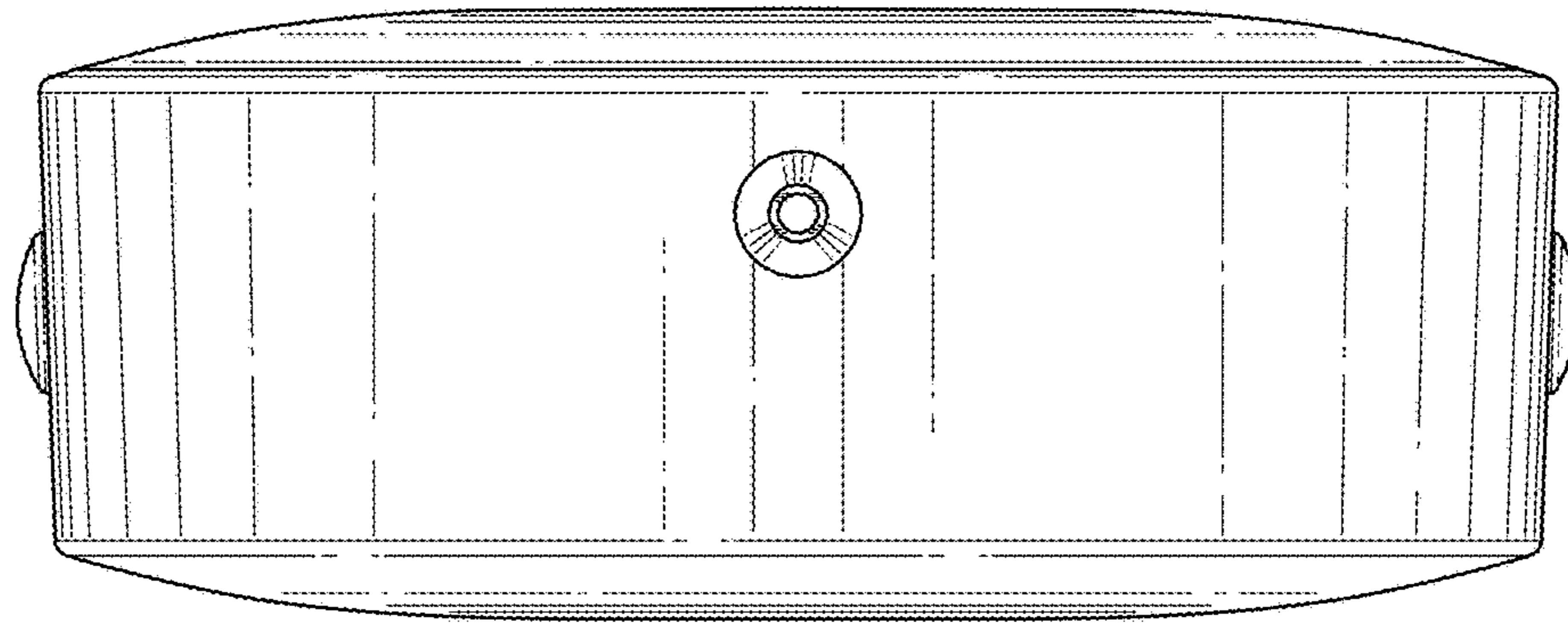


FIG. 5

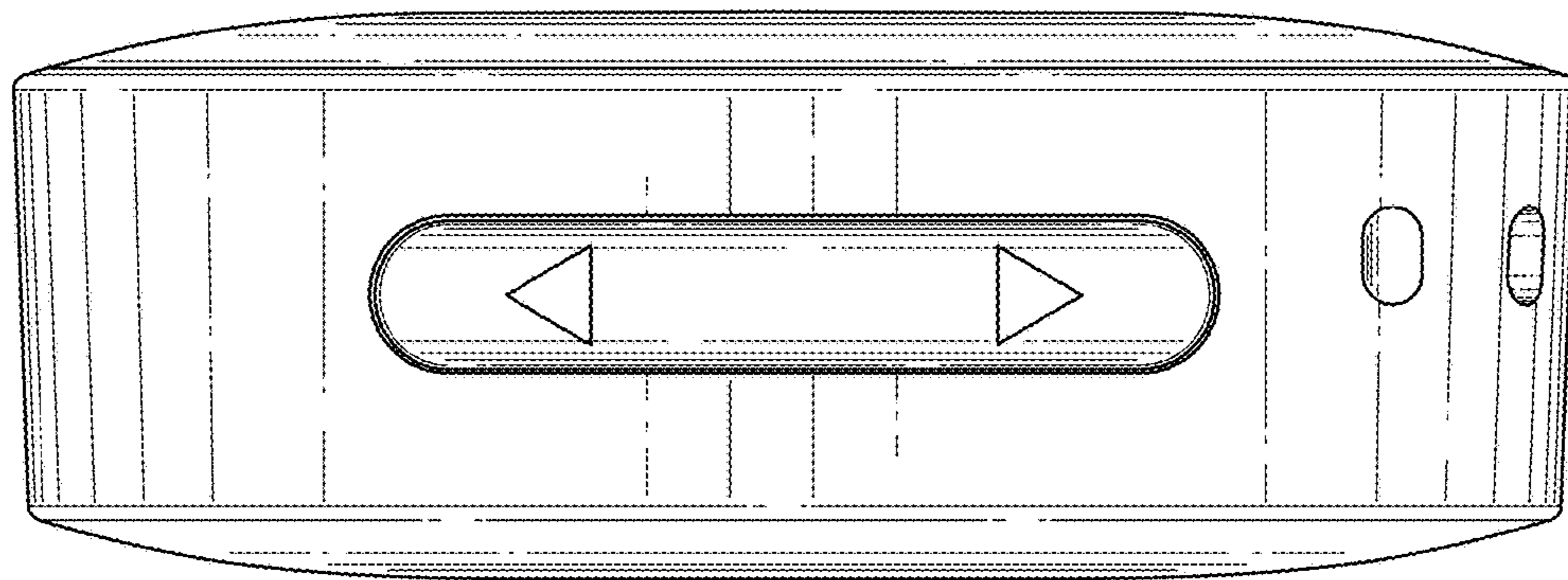


FIG. 6



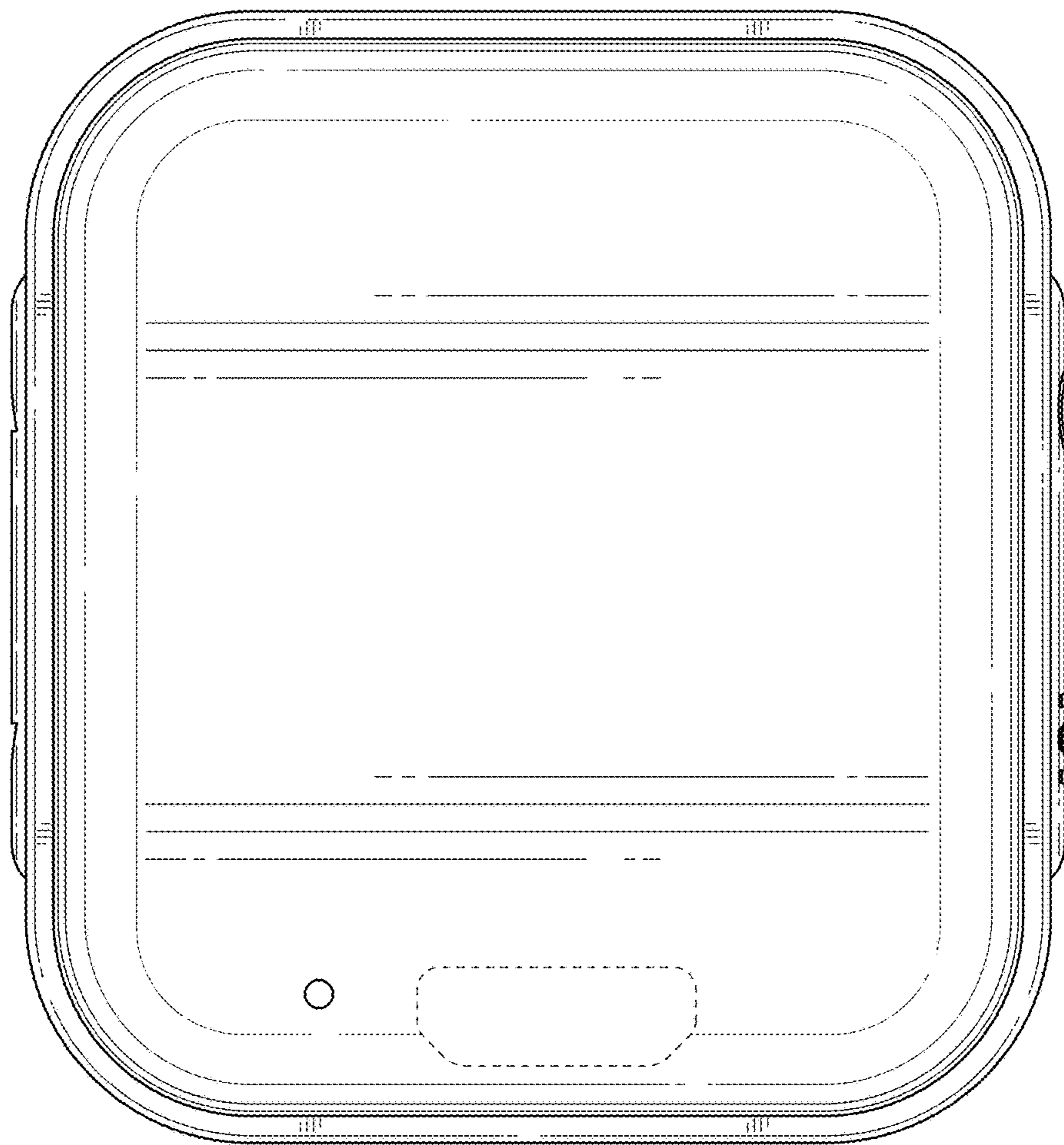


FIG. 7

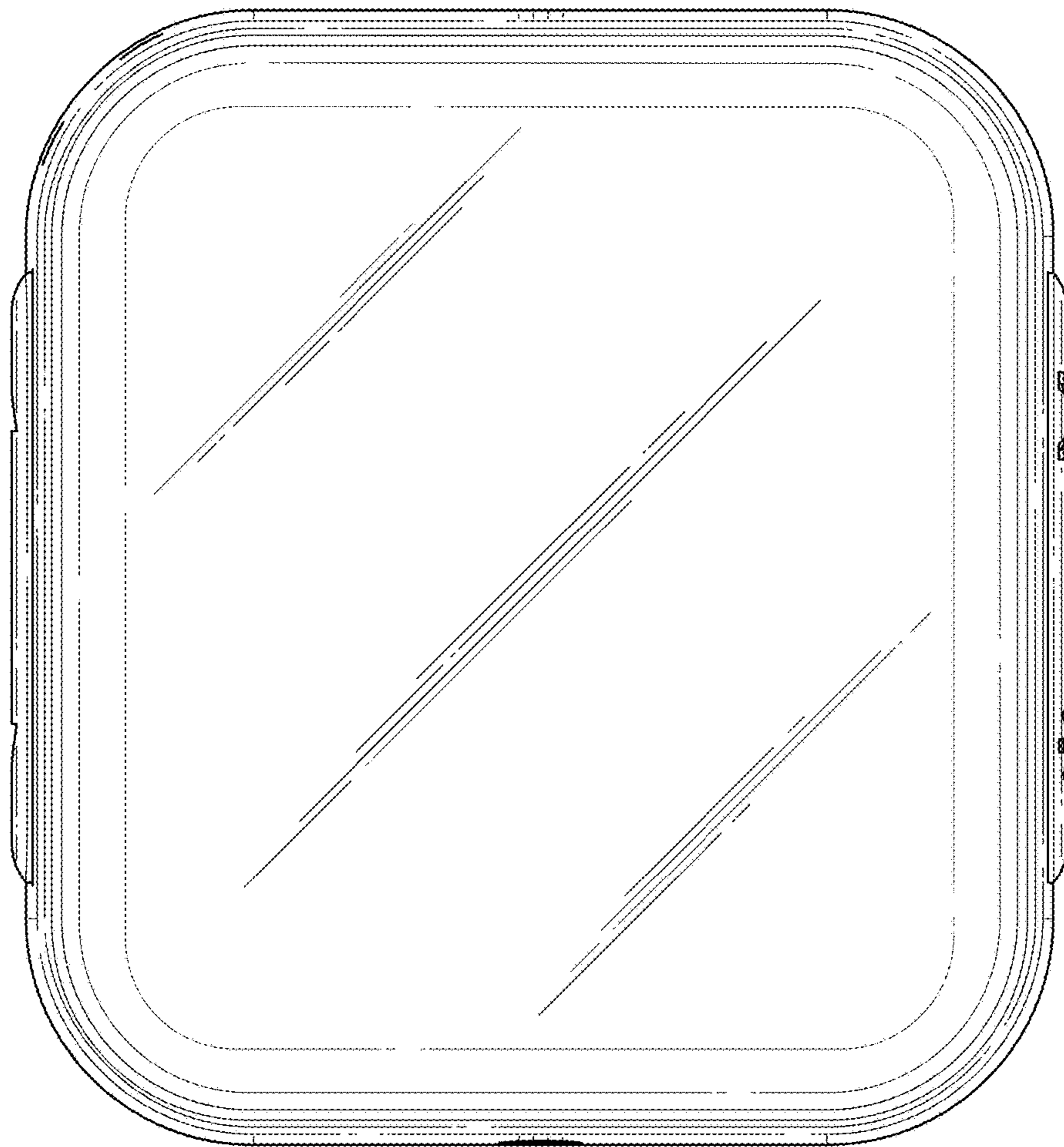


FIG. 8