



US00D850403S

(12) **United States Design Patent** (10) **Patent No.:** **US D850,403 S**
Liu (45) **Date of Patent:** **** Jun. 4, 2019**

(54) **BABY MONITOR**

(71) Applicant: **HELLOBABY TECHNOLOGY (HK) LIMITED**, Sheung Wan (HK)

(72) Inventor: **Qiang Liu**, Shenzhen (CN)

(73) Assignee: **HELLOBABY TECHNOLOGY (HK) LIMITED**, Sheung Wan (HK)

(**) Term: **15 Years**

(21) Appl. No.: **29/670,255**

(22) Filed: **Nov. 14, 2018**

Related U.S. Application Data

(62) Division of application No. 29/666,483, filed on Oct. 12, 2018.

(51) **LOC (11) Cl.** **14-03**

(52) **U.S. Cl.**
USPC **D14/159**

(58) **Field of Classification Search**
USPC D14/167, 154, 168, 188, 496, 156, 160, D14/161, 162, 163, 164, 165, 158, 253, D14/192, 159, 155, 138 AB, 137, 104.1; 455/351, 350, 353; D10/104, 106, 65, D10/78; 340/573.4, 573.1
CPC . G06F 3/16; G08B 3/00; H04M 11/00; H04N 7/14; H04N 7/26

See application file for complete search history.

(56) **References Cited**

U.S. PATENT DOCUMENTS

7,104,656 B2 *	9/2006	Dwyer	H04N 9/3141
				348/E5.143
D539,252 S *	3/2007	Heath	D14/137
D542,279 S *	5/2007	Chan	D14/216
D651,584 S *	1/2012	Massee	D14/159
D681,601 S *	5/2013	Gebski	D14/159
D715,249 S *	10/2014	Zhou	D14/158
D716,753 S *	11/2014	Deng	D14/159
D801,843 S *	11/2017	Siminoff	D10/118.1
D823,826 S *	7/2018	Evans	D14/159
D837,179 S *	1/2019	Gan	D14/159

* cited by examiner

Primary Examiner — Austin Murphy

(74) *Attorney, Agent, or Firm* — Muncy, Geissler, Olds & Lowe, P.C.

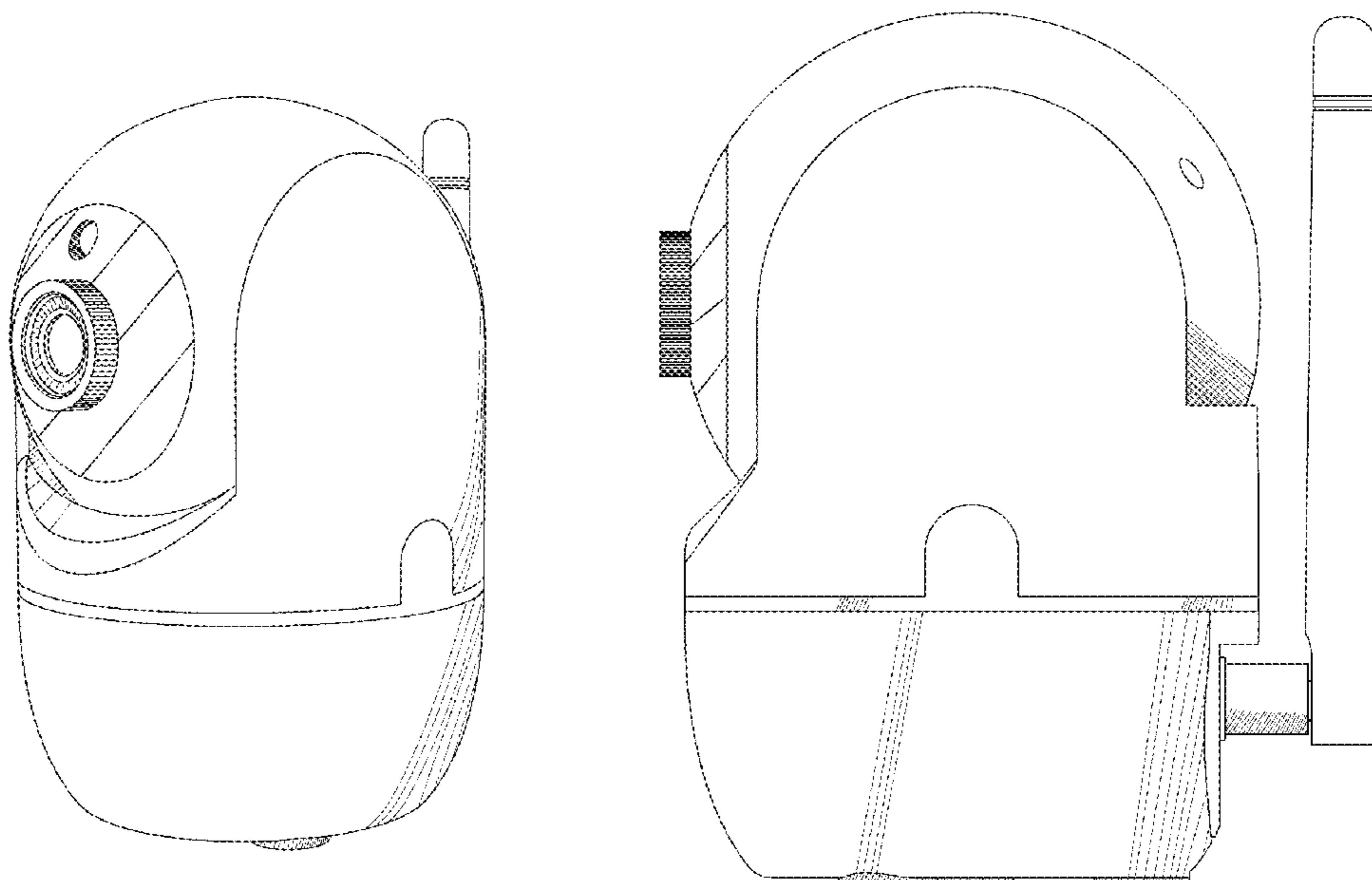
(57) **CLAIM**

The ornamental design for a baby monitor, as shown and described.

DESCRIPTION

FIG. 1 is a Perspective view of of a baby monitor
FIG. 2 is a Front elevational view thereof;
FIG. 3 is a Right side view thereof;
FIG. 4 is a Left side view thereof;
FIG. 5 is a Rear elevational view thereof;
FIG. 6 is a Top plan view thereof; and,
FIG. 7 is a Bottom plan view thereof.

1 Claim, 7 Drawing Sheets



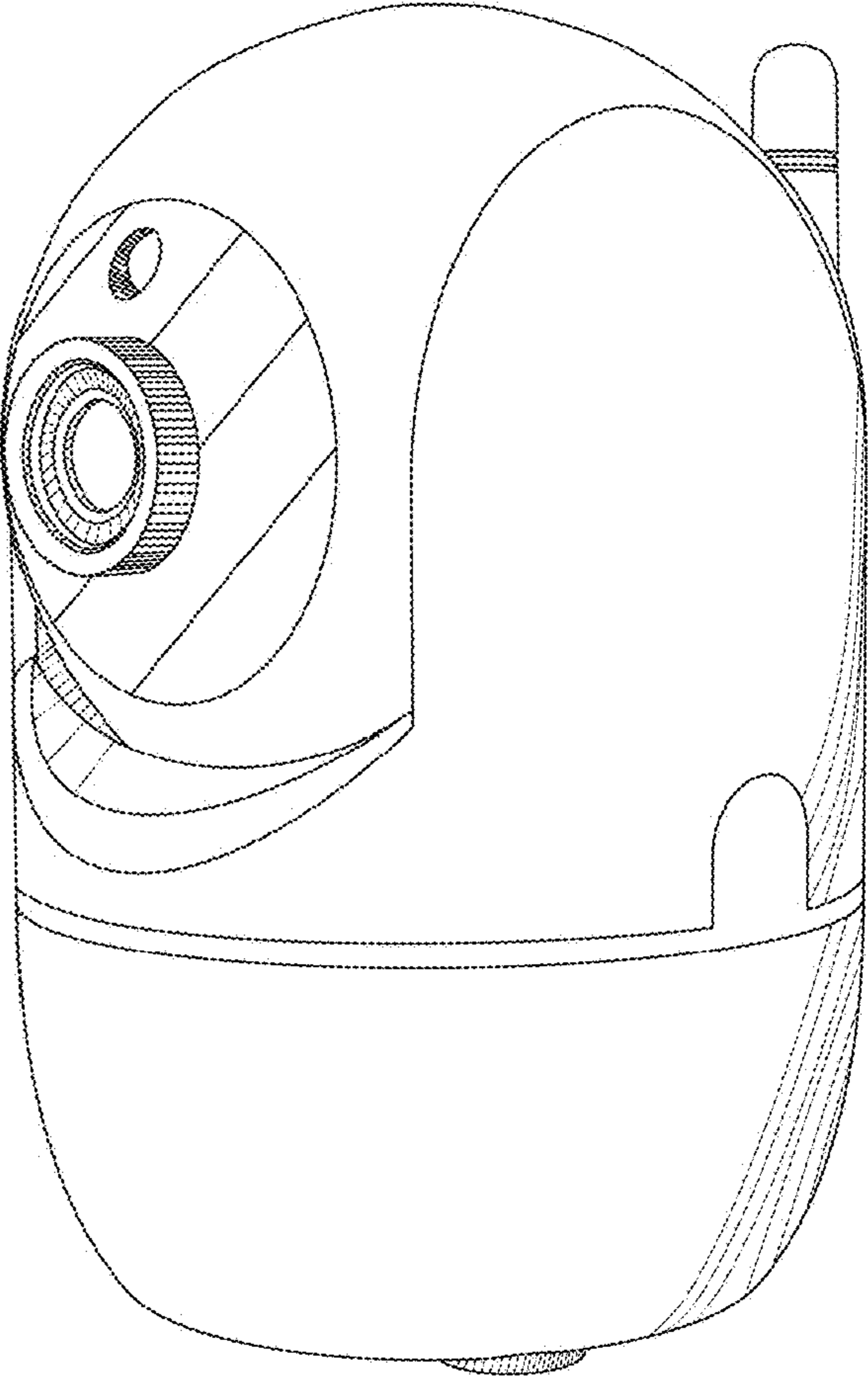


Fig. 1

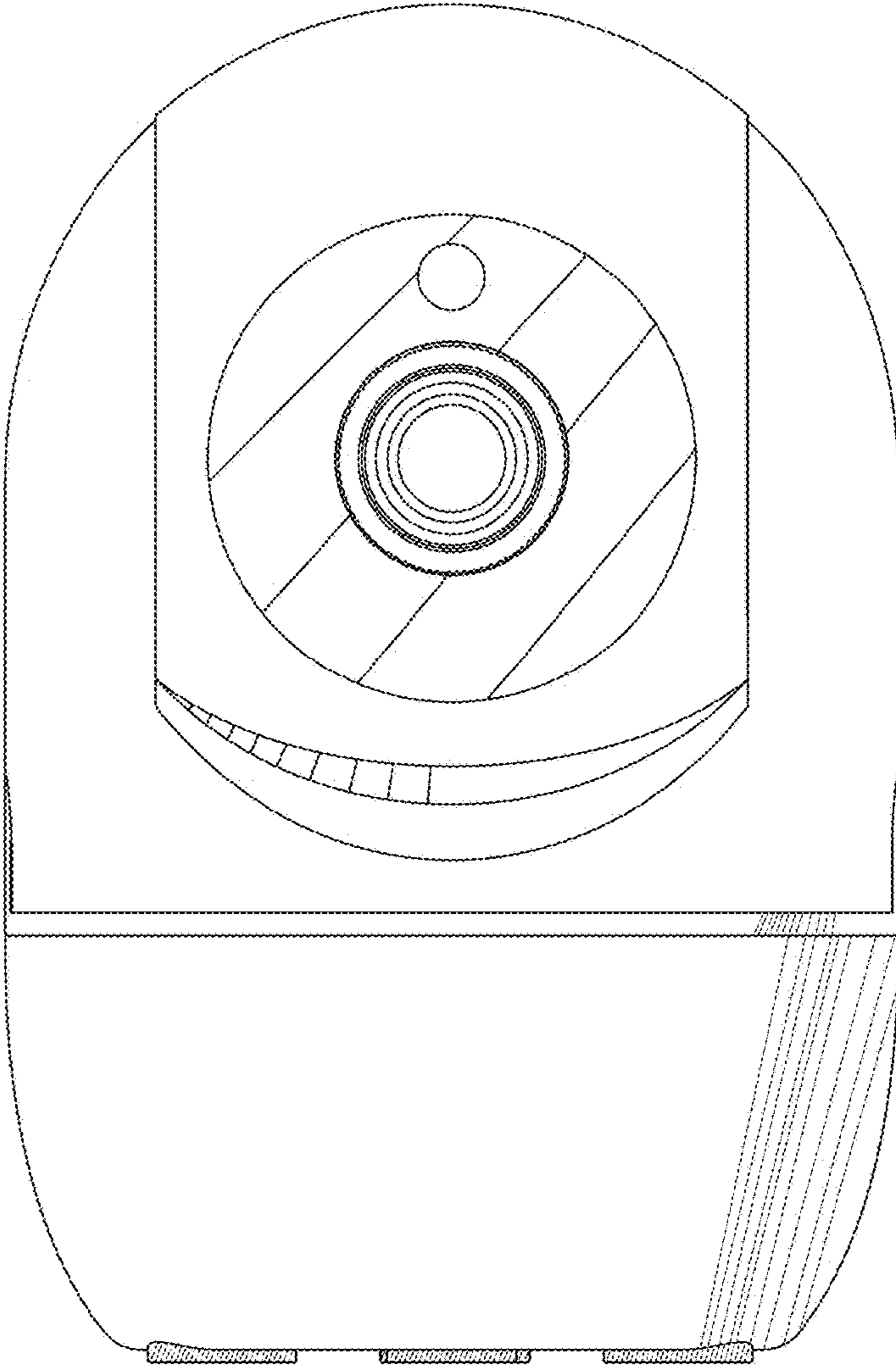


Fig. 2

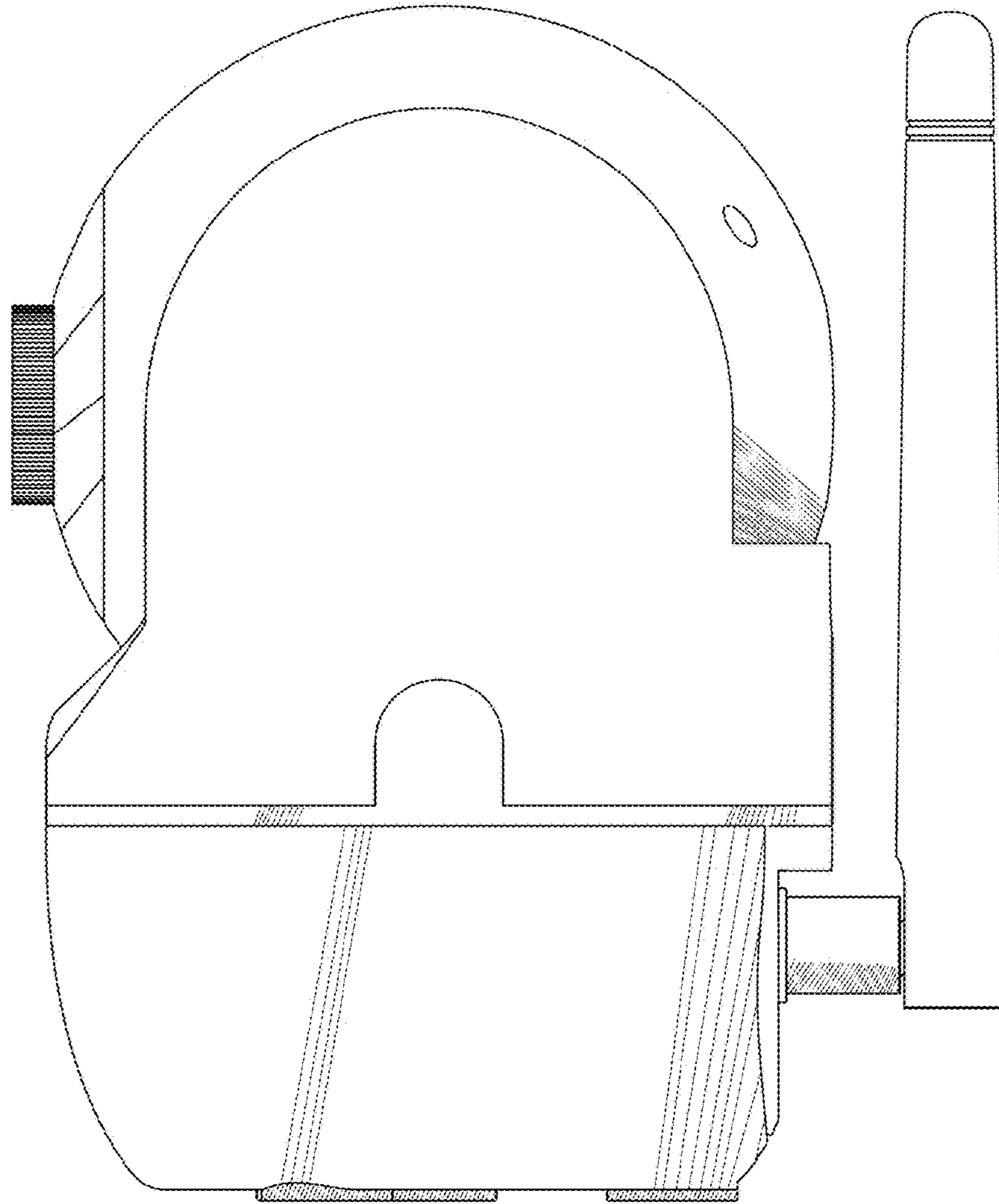


Fig. 3

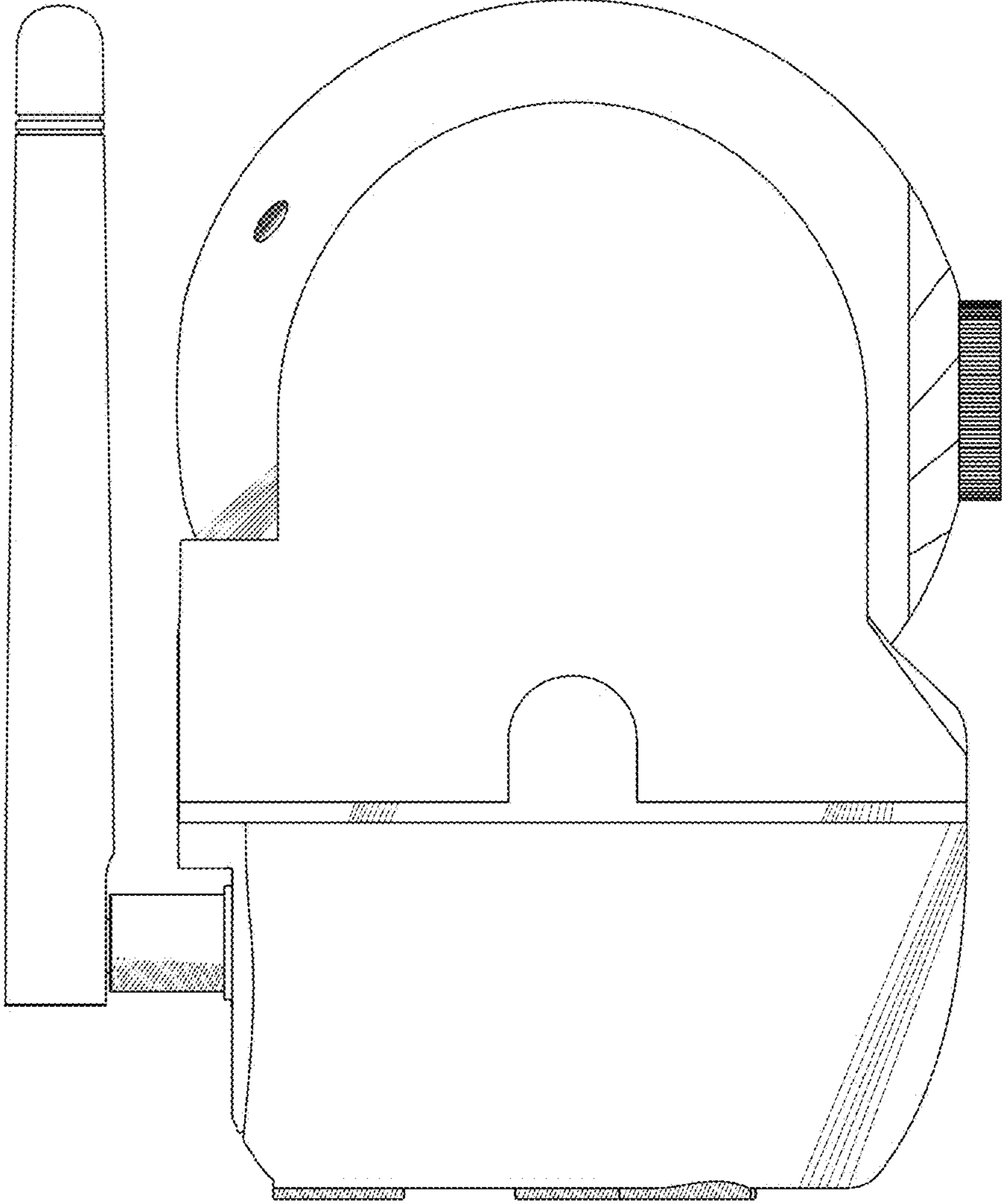


Fig. 4

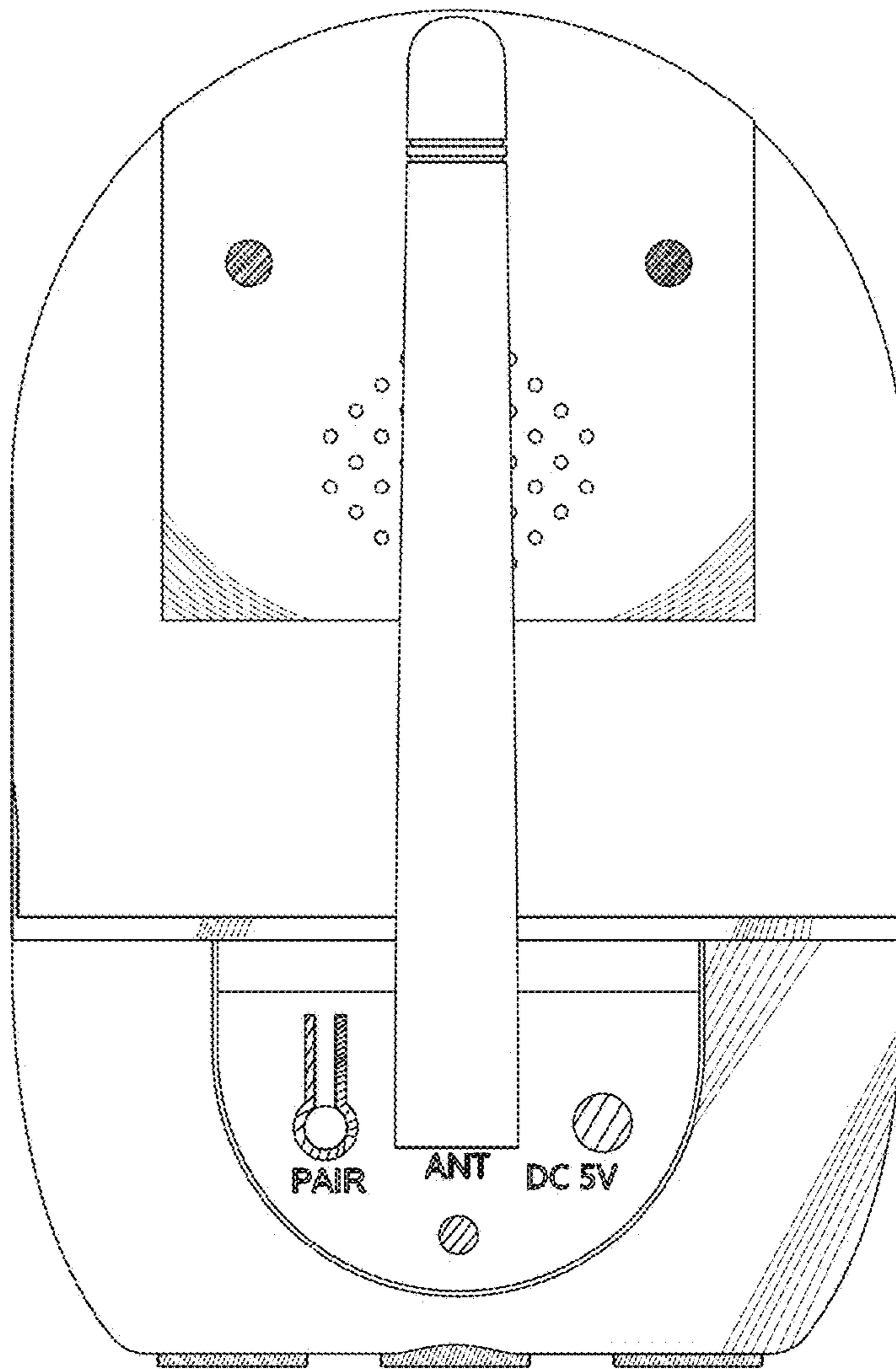


Fig. 5

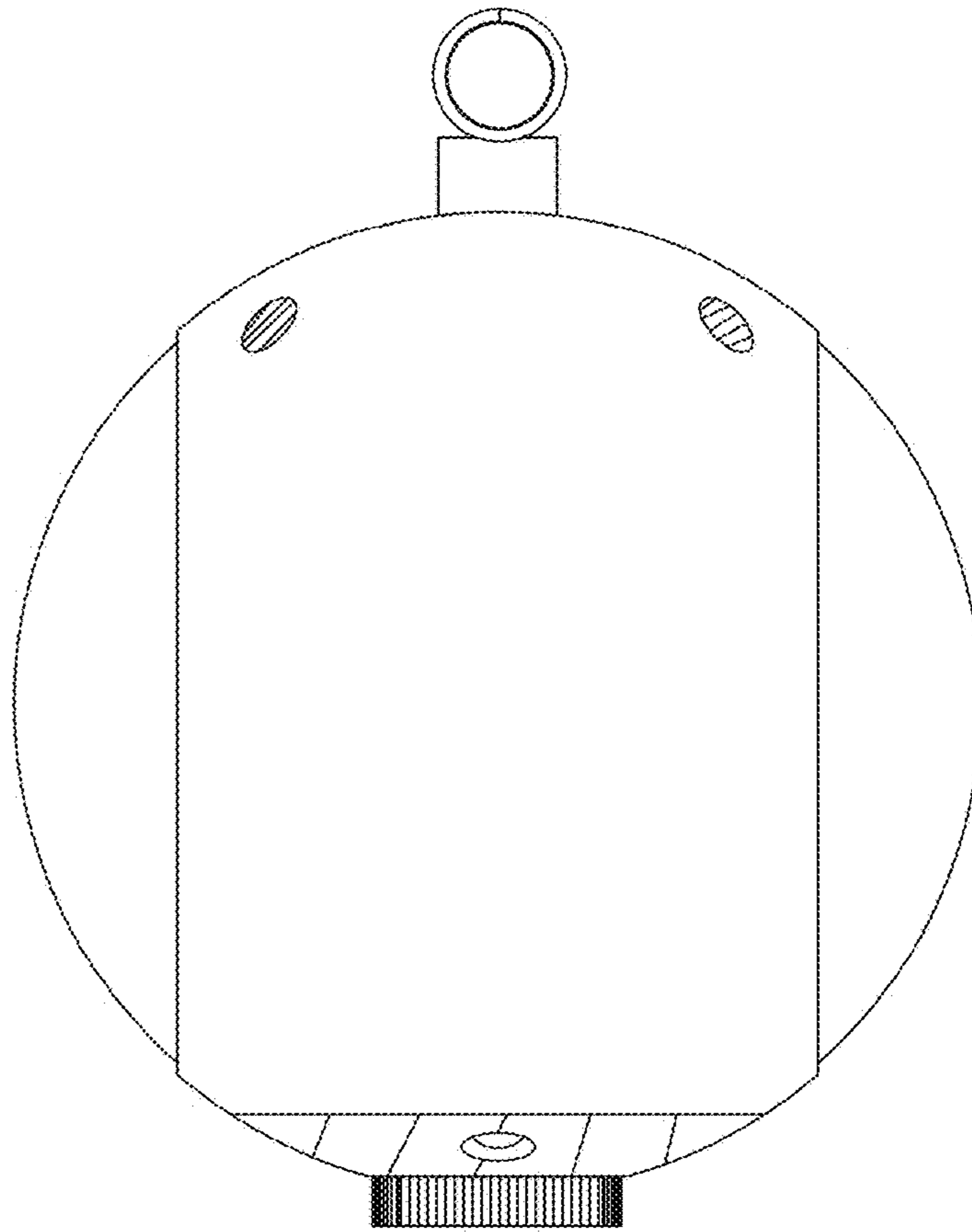


Fig. 6

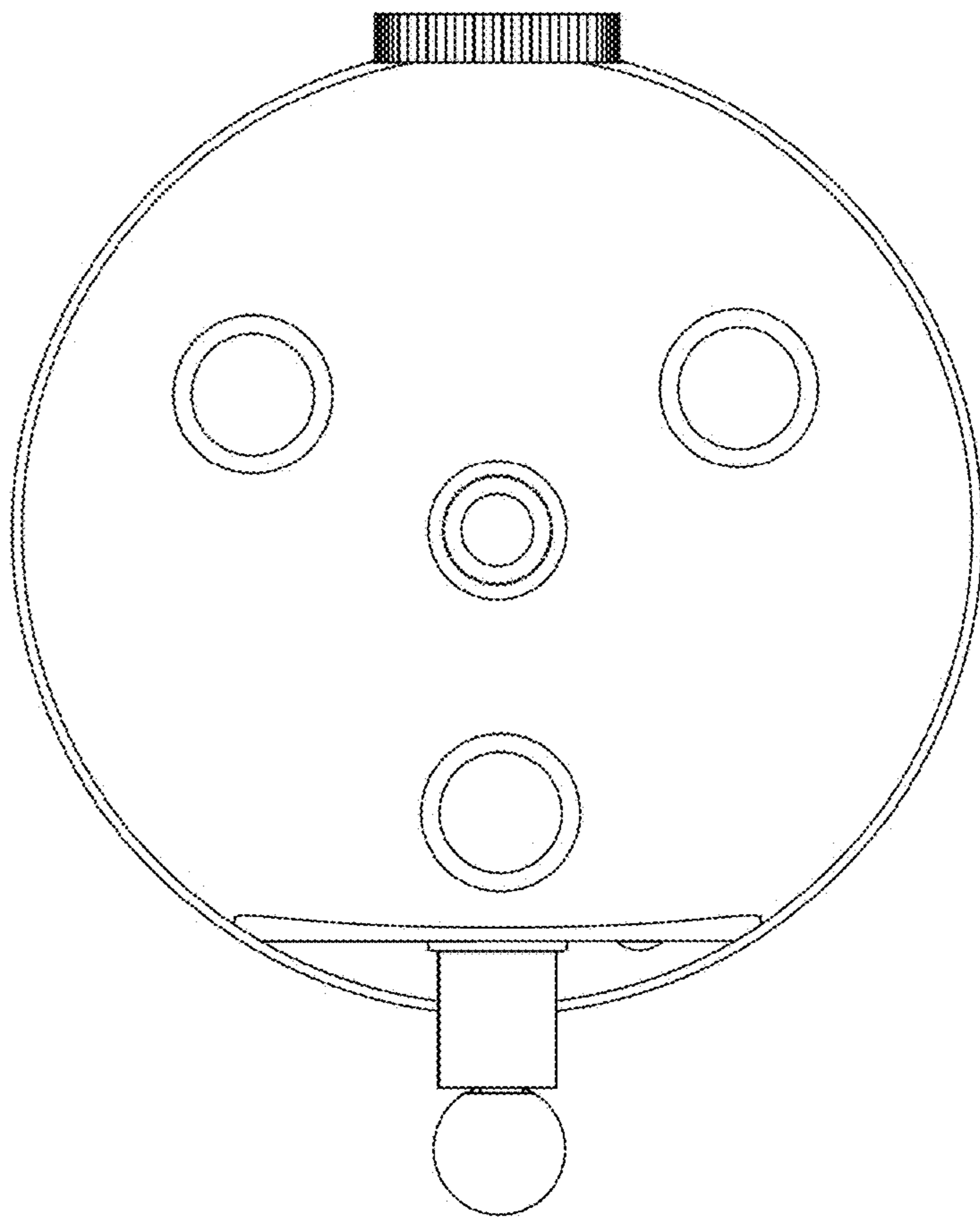


Fig. 7