



US00D850400S

(12) **United States Design Patent** (10) **Patent No.:** **US D850,400 S**
Kim et al. (45) **Date of Patent:** **** Jun. 4, 2019**

(54) **TELEVISION**

(56) **References Cited**

(71) Applicant: **LG ELECTRONICS INC.**, Seoul (KR)

U.S. PATENT DOCUMENTS

(72) Inventors: **Yooseok Kim**, Seoul (KR); **Sunha Park**, Seoul (KR); **Jeongrok Lee**, Seoul (KR); **Byungmu Huh**, Seoul (KR)

4,528,597 A * 7/1985 Klein G06F 1/181
348/838
D563,337 S * 3/2008 Bloem D14/126
D575,247 S * 8/2008 Lee D14/126
D624,036 S * 9/2010 Lee D14/126
D741,829 S * 10/2015 McManigal D14/126
D757,671 S * 5/2016 Bouroullec D14/126
D778,854 S * 2/2017 Lee D14/126
D782,431 S * 3/2017 Lee D14/126

(73) Assignee: **LG ELECTRONICS INC.**, Seoul (KR)

(Continued)

(**) Term: **15 Years**

FOREIGN PATENT DOCUMENTS

(21) Appl. No.: **35/504,143**

KR 300802769 * 6/2015

(22) Filed: **Jun. 12, 2017**

OTHER PUBLICATIONS

(80) **Hague Agreement Data**

Int. Filing Date: **Jun. 12, 2017**
Int. Reg. No.: **DM/096585**
Int. Reg. Date: **Jun. 12, 2017**
Int. Reg. Pub. Date: **Dec. 15, 2017**

LG LK610BPUA—Series, earliest review posted May 2, 2018, [online], [site visited Oct. 11, 2018]. Retrieved from url:https://www.bhphotovideo.com/c/product/1395094-REG/lg_32Ik610bpua_Ik610bpua_32_hd_smart.html (Year: 2018).*

Primary Examiner — Jeffrey D Asch
Assistant Examiner — Tracey J Bell
(74) *Attorney, Agent, or Firm* — Birch, Stewart, Kolasch & Birch, LLP

(30) **Foreign Application Priority Data**

Dec. 14, 2016 (KR) 30-2016-0060742

(51) **LOC (11) Cl.** **14-03**

(52) **U.S. Cl.**
USPC **D14/126**

(58) **Field of Classification Search**

USPC D14/125–134, 239, 314–316, 322, 326,
D14/334–336, 339–341, 371, 373–374,
D14/448, 450; D21/329, 322, 515;
D6/300, 310, 314, 320, 322, 553, 525,
D6/672, 407
CPC G06F 1/16; G06F 1/1601; G06F 1/1637;
H04N 5/64; H05K 5/0204; H05K 5/0017;
H05K 5/0217

See application file for complete search history.

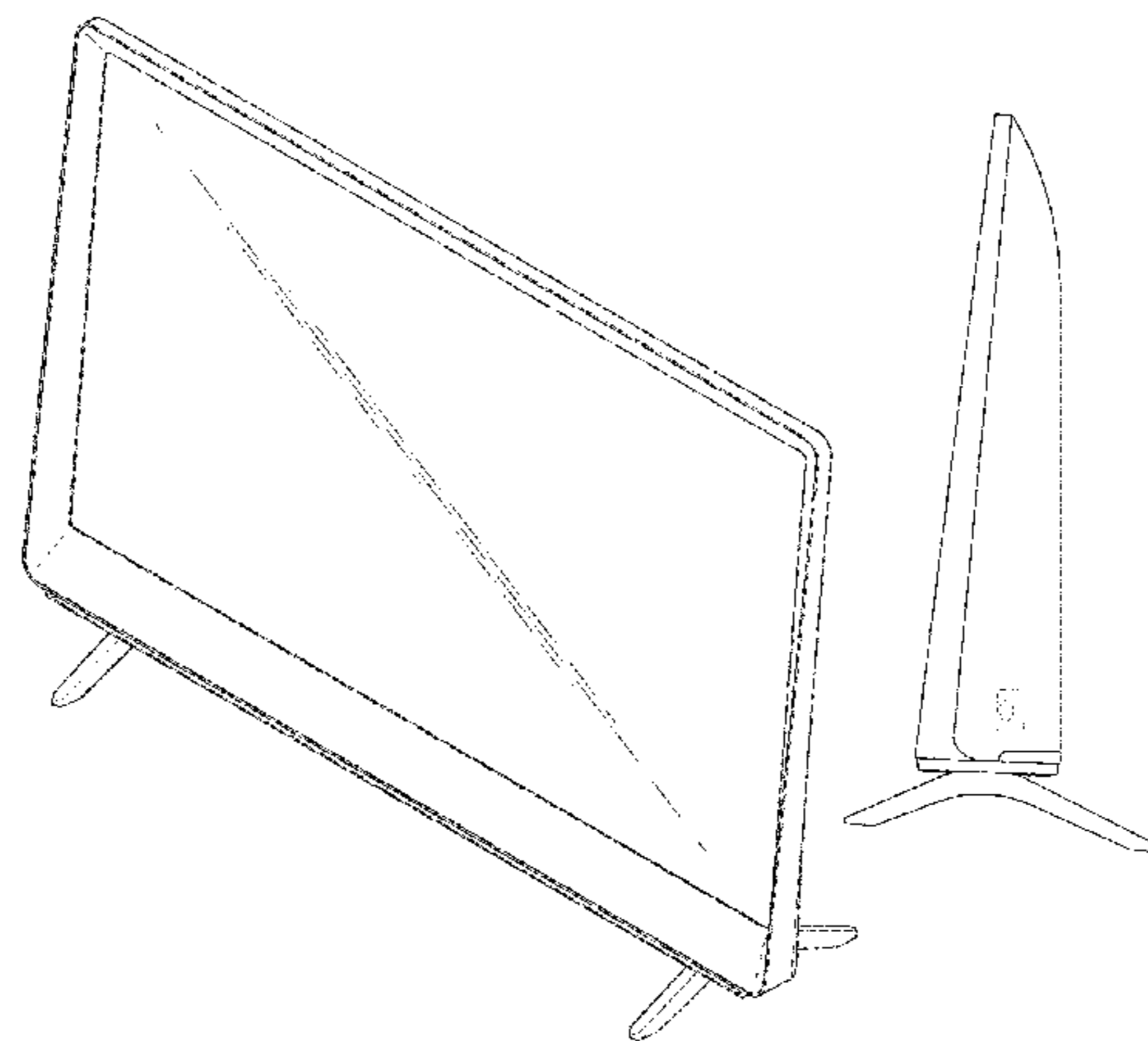
(57) **CLAIM**

The ornamental design for a television, as shown and described.

DESCRIPTION

- 1. Television
- 1.1 : Perspective
- 1.2 : Front
- 1.3 : Back
- 1.4 : Left
- 1.5 : Right
- 1.6 : Top
- 1.7 : Bottom

(Continued)



The broken lines indicate portions of the article that form no part of the claimed design.

1 Claim, 7 Drawing Sheets

(56)

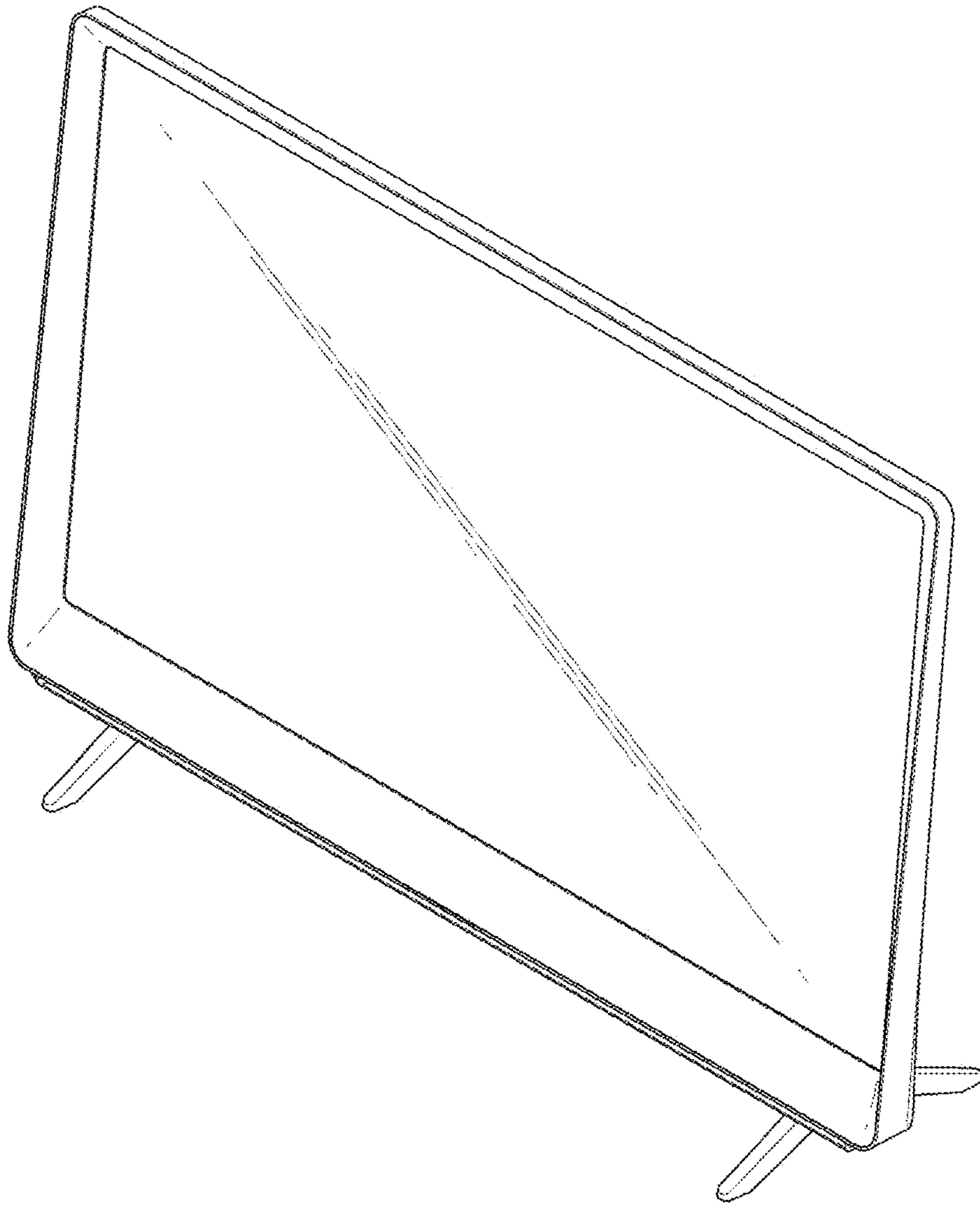
References Cited

U.S. PATENT DOCUMENTS

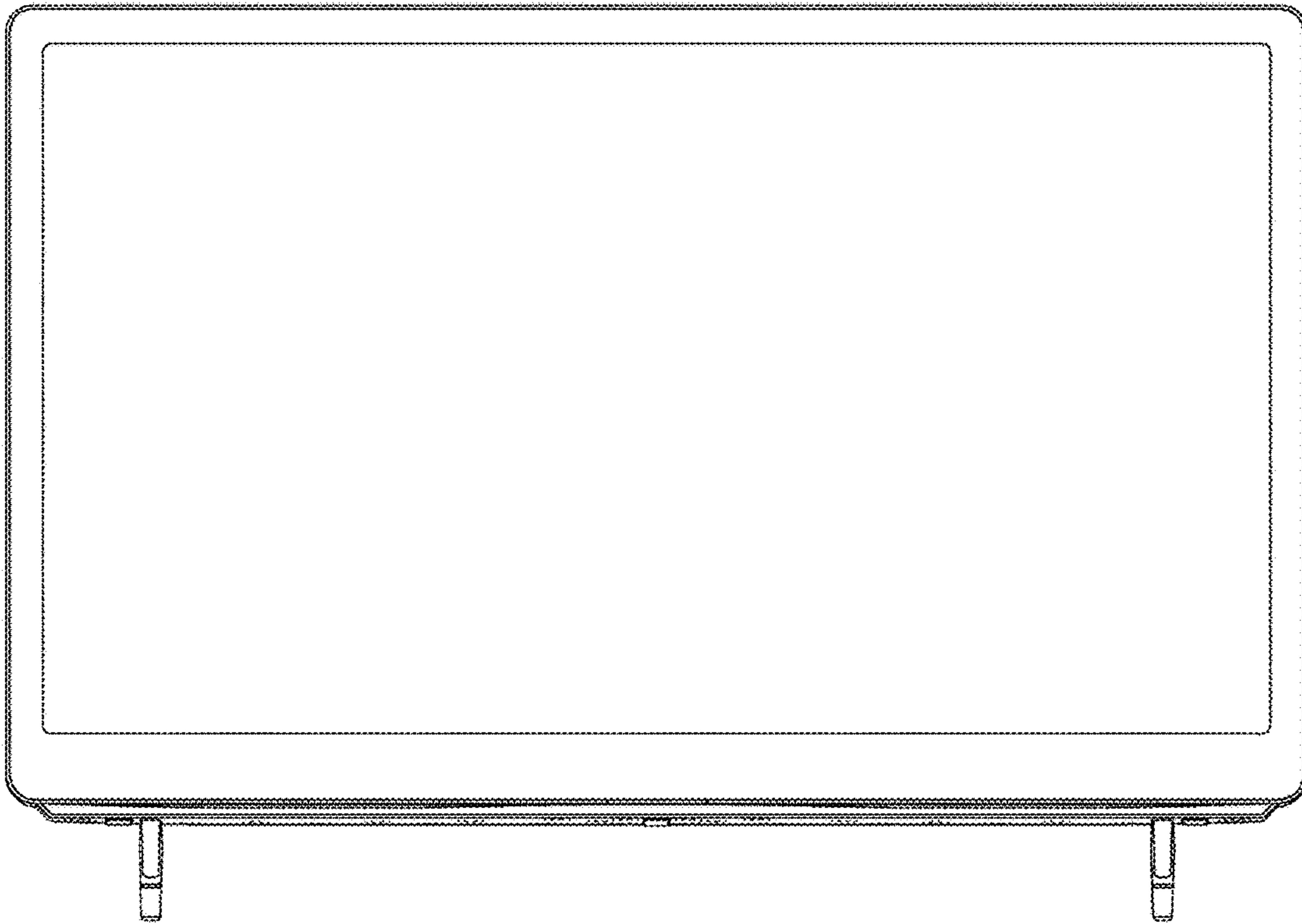
D806,667	S	*	1/2018	Lee	D14/126
D820,228	S	*	6/2018	Kim	D14/126
D826,885	S	*	8/2018	Kim	D14/126
2003/0137584	A1	*	7/2003	Norvell	B60R 11/0235 348/61
2006/0077623	A1	*	4/2006	Yeh	G06F 1/1601 361/679.22

* cited by examiner

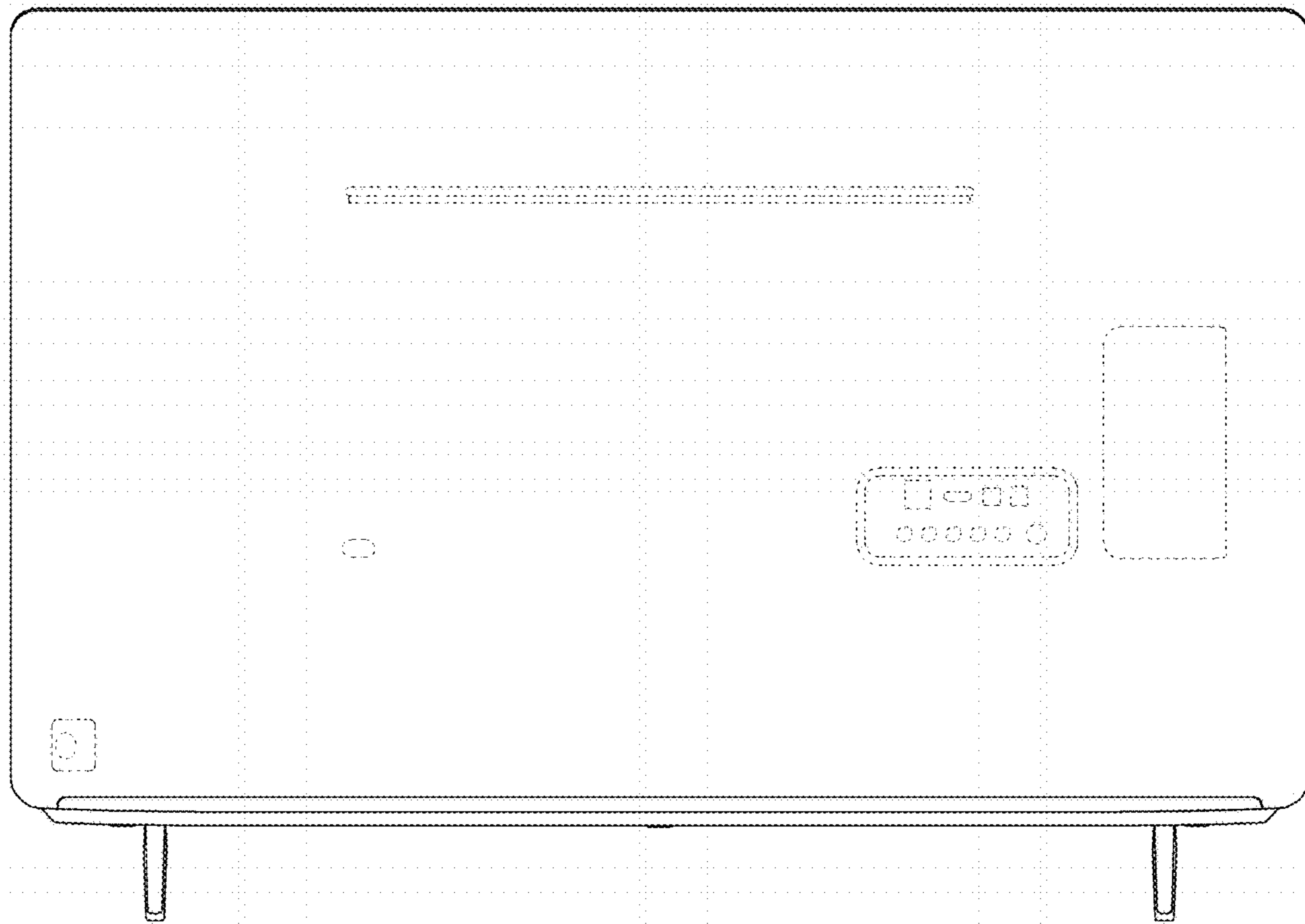
1.1



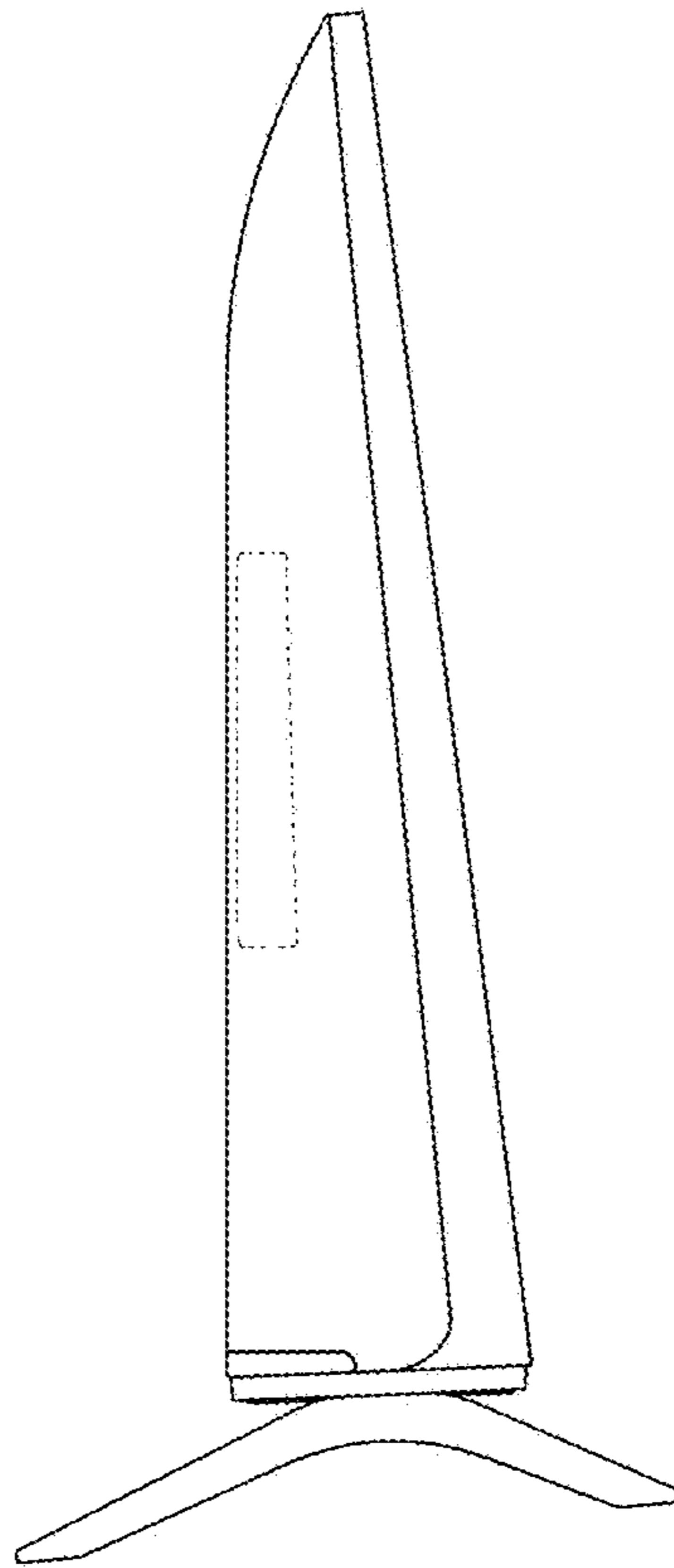
1.2



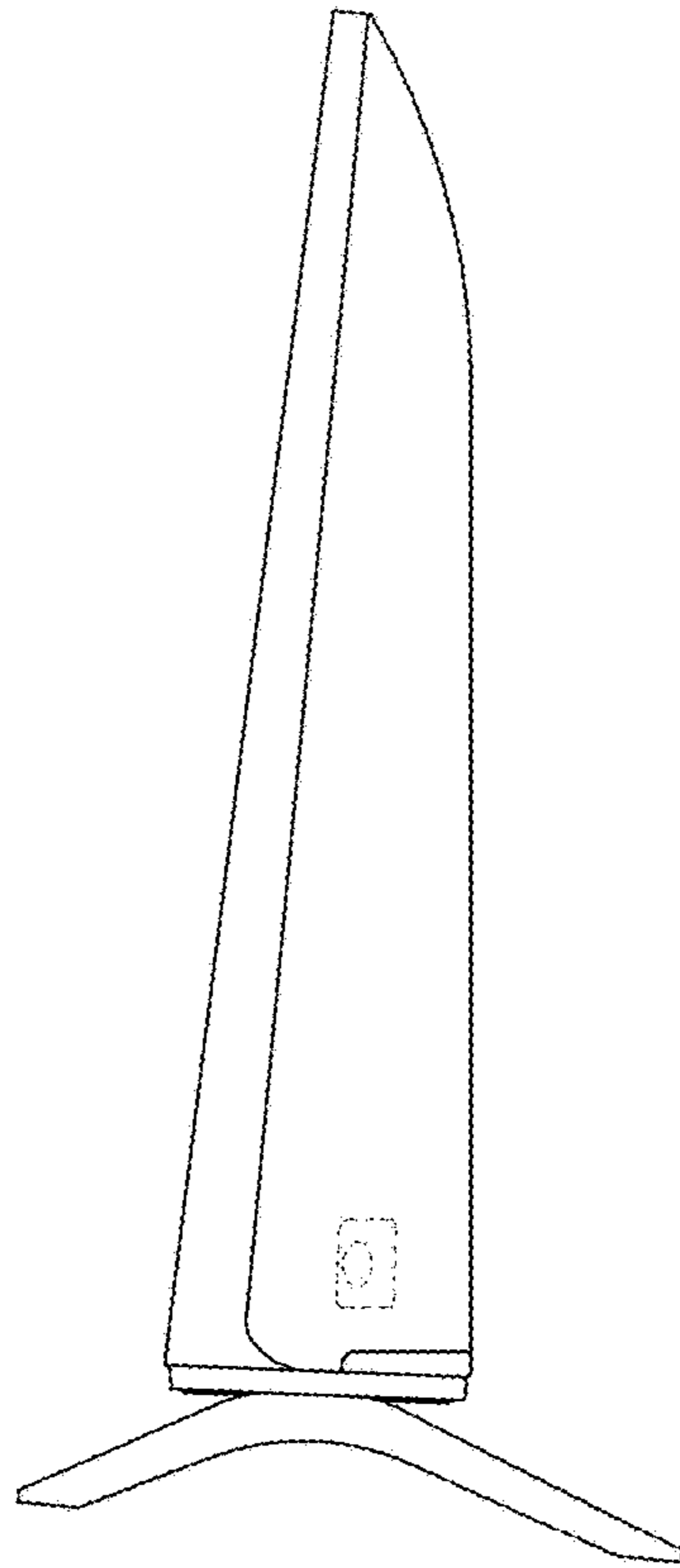
1.3



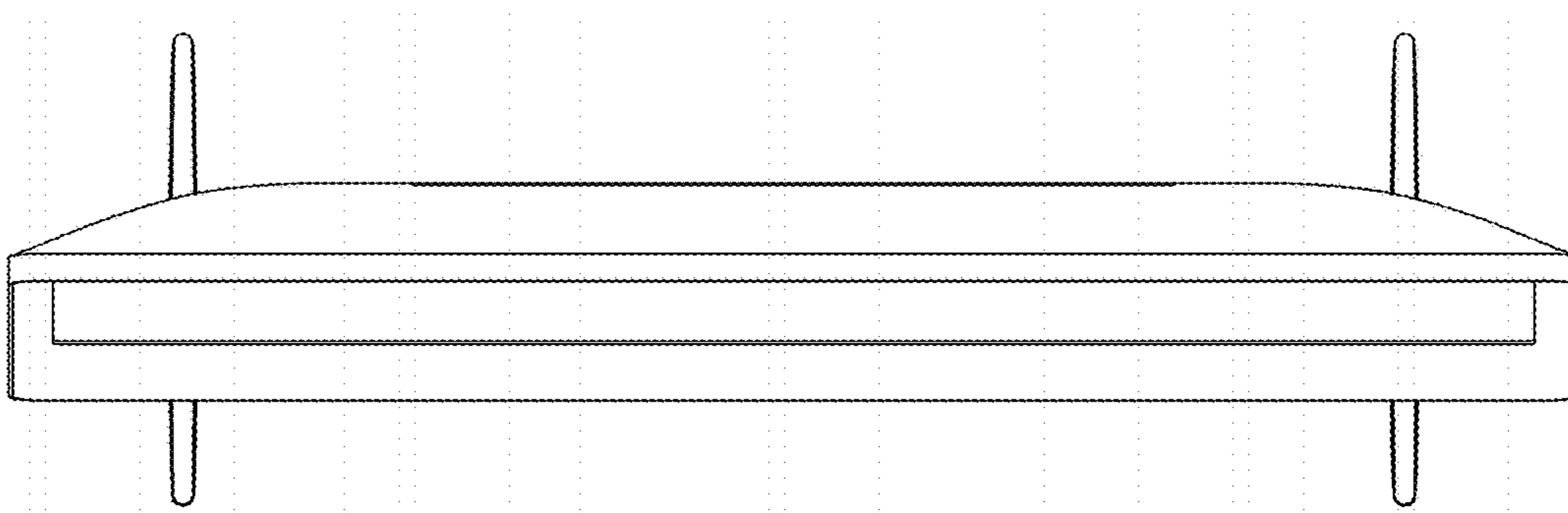
1.4



1.5



1.6



1.7

