



US00D850399S

(12) **United States Design Patent**
Won et al.

(10) **Patent No.:** **US D850,399 S**
(45) **Date of Patent:** **** Jun. 4, 2019**

(54) **TELEVISION**
(71) Applicant: **LG ELECTRONICS INC., Seoul (KR)**
(72) Inventors: **Hyojin Won, Seoul (KR); Hyeyoung Hong, Seoul (KR); Yongho Lee, Seoul (KR); Youngyoung Kim, Seoul (KR)**
(73) Assignee: **LG ELECTRONICS INC., Seoul (KR)**
(**) Term: **15 Years**
(21) Appl. No.: **35/504,065**
(22) Filed: **May 26, 2017**

D709,470 S * 7/2014 Ryu D14/126
D720,316 S * 12/2014 Huh D14/126
D725,619 S * 3/2015 Choi D14/126
D727,865 S * 4/2015 Moon D14/126
D737,792 S * 9/2015 Park D14/126
D738,335 S * 9/2015 Shin D14/126
D746,243 S * 12/2015 Gao D14/126
D750,584 S * 3/2016 Lee D14/126
D754,620 S * 4/2016 Shin D14/126
D759,608 S * 6/2016 Kim D14/126
D759,619 S * 6/2016 Seo D14/126
D763,812 S * 8/2016 Wang D14/126
D766,852 S * 9/2016 Seo D14/126
D795,852 S * 8/2017 Park D14/126
D800,101 S * 10/2017 Park D14/239
D819,583 S * 6/2018 Lee D14/126
D819,588 S * 6/2018 Ryu D14/126
D819,614 S * 6/2018 Lee D14/239
D820,229 S * 6/2018 Cha D14/126
D823,824 S * 7/2018 Won D14/126
D826,197 S * 8/2018 Cha D14/126

(80) **Hague Agreement Data**

Int. Filing Date: **May 26, 2017**
Int. Reg. No.: **DM/096327**
Int. Reg. Date: **May 26, 2017**
Int. Reg. Pub. Date: **Dec. 1, 2017**

(Continued)
Primary Examiner — Melanie H Tung
Assistant Examiner — Bao-Yen T Nguyen
(74) *Attorney, Agent, or Firm* — Birch, Stewart, Kolasch & Birch, LLP

(30) **Foreign Application Priority Data**

Nov. 28, 2016 (KR) 30-2016-0057320

(51) **LOC (11) Cl.** **14-03**

(52) **U.S. Cl.**
USPC **D14/126**

(58) **Field of Classification Search**
USPC D14/125-134, 136, 159, 239, 336, 342, D14/371, 374-377, 440, 448, 450; D21/329, 515, 577, 622
CPC ... G06F 1/1601; G06F 1/1643; H05K 5/0004; H05K 5/0017; H05K 5/02; H05K 5/0217
See application file for complete search history.

(56) **References Cited**

U.S. PATENT DOCUMENTS

D682,232 S * 5/2013 Lee D14/126
D699,205 S * 2/2014 Kim D14/126

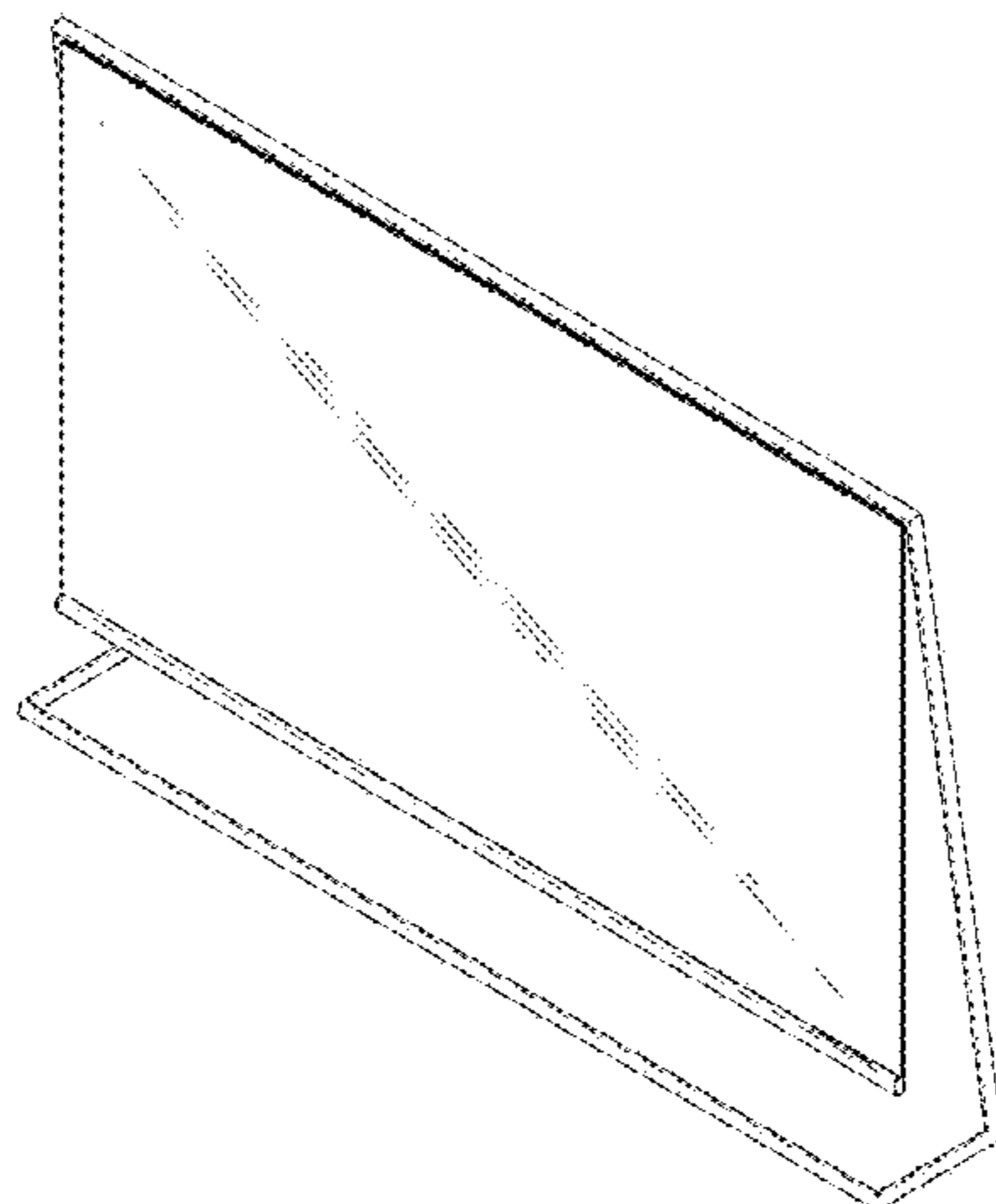
(57) **CLAIM**

The ornamental design for a television, as shown and described.

DESCRIPTION

- 1. Television
- 1.1 : Perspective
- 1.2 : Rear perspective
- 1.3 : Front
- 1.4 : Back
- 1.5 : Left
- 1.6 : Right
- 1.7 : Top
- 1.8 : Bottom

1 Claim, 8 Drawing Sheets



(56)

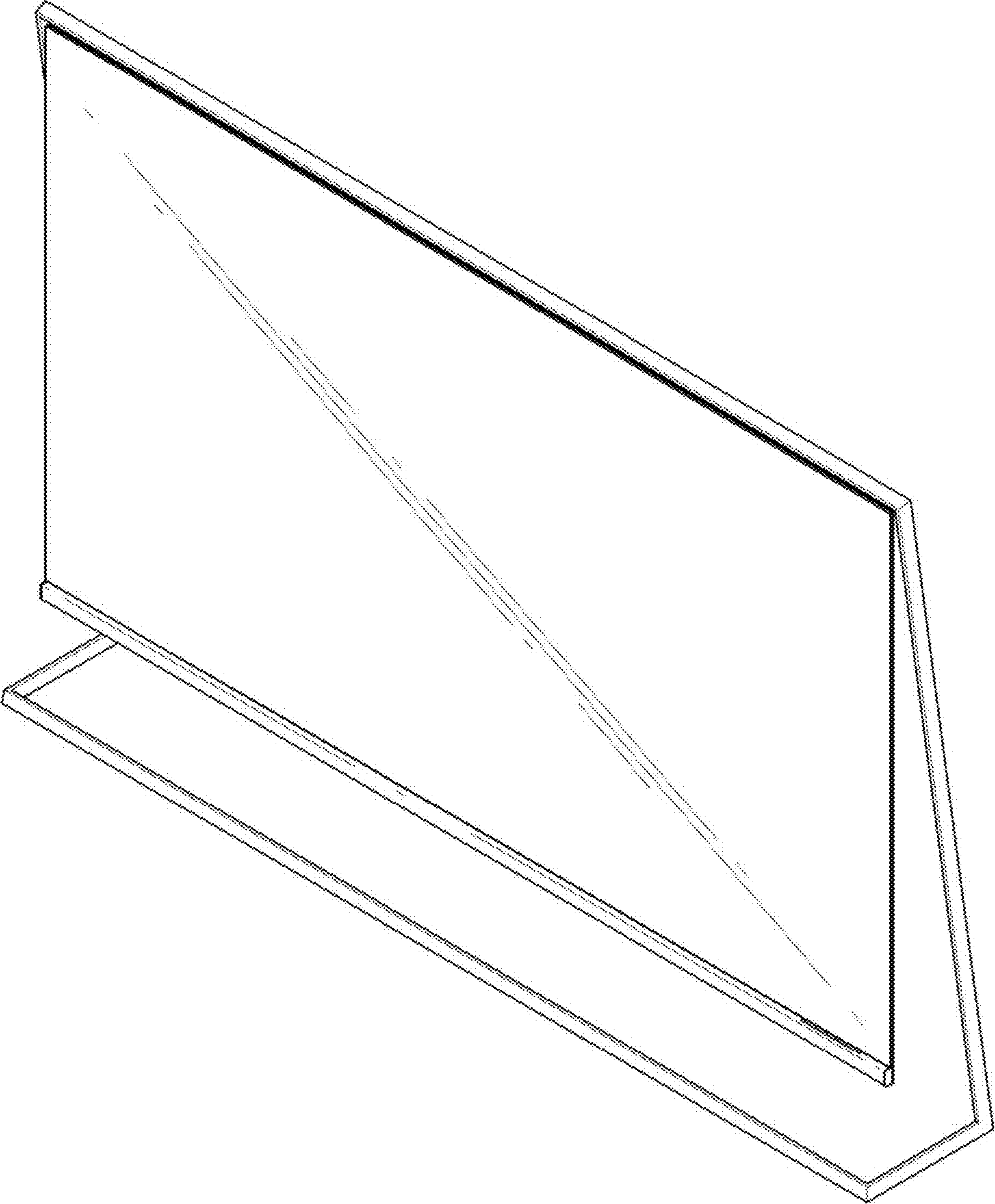
References Cited

U.S. PATENT DOCUMENTS

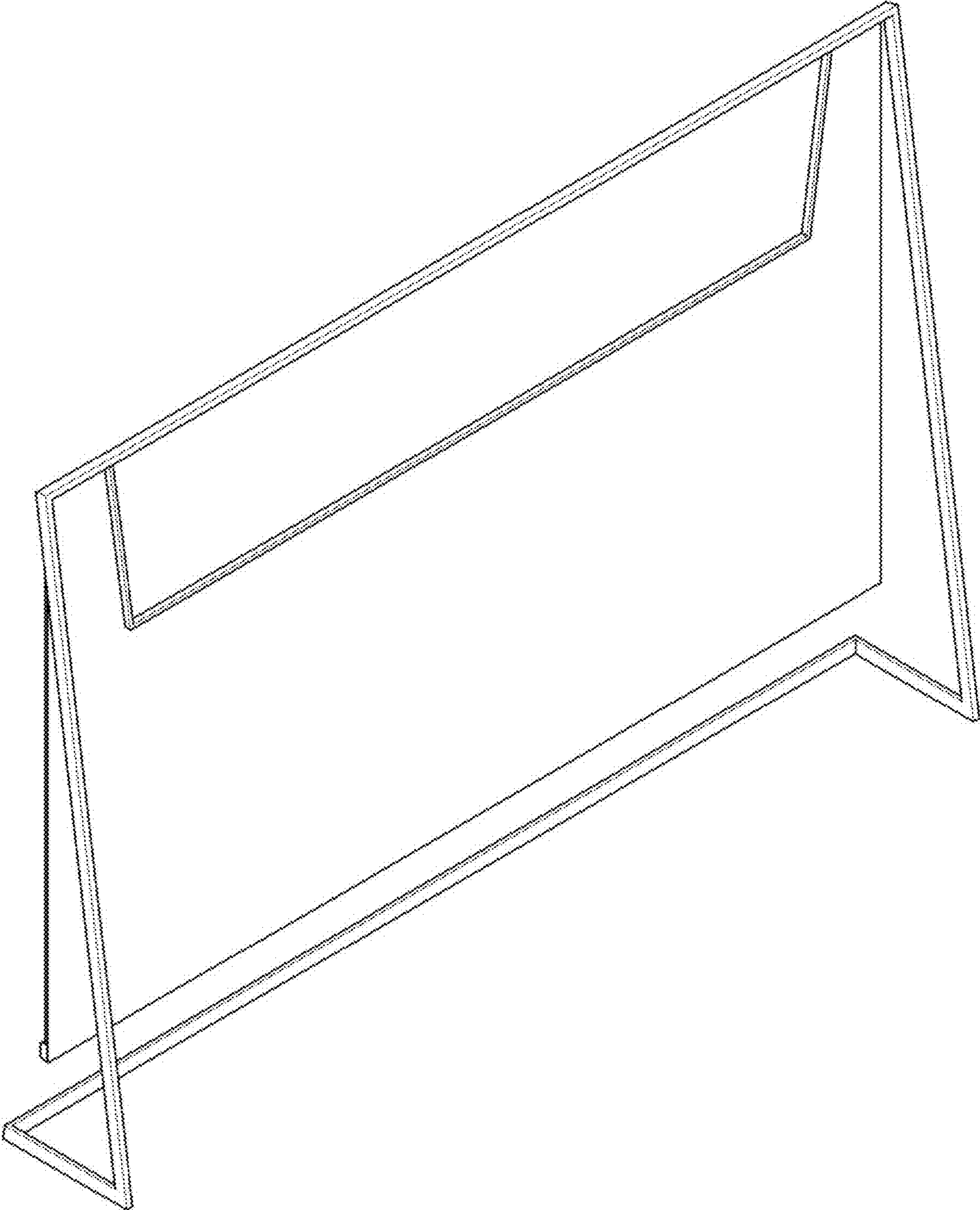
D826,199 S	*	8/2018	Kim	D14/126
D826,882 S	*	8/2018	Han	D14/126
D826,886 S	*	8/2018	Cha	D14/126

* cited by examiner

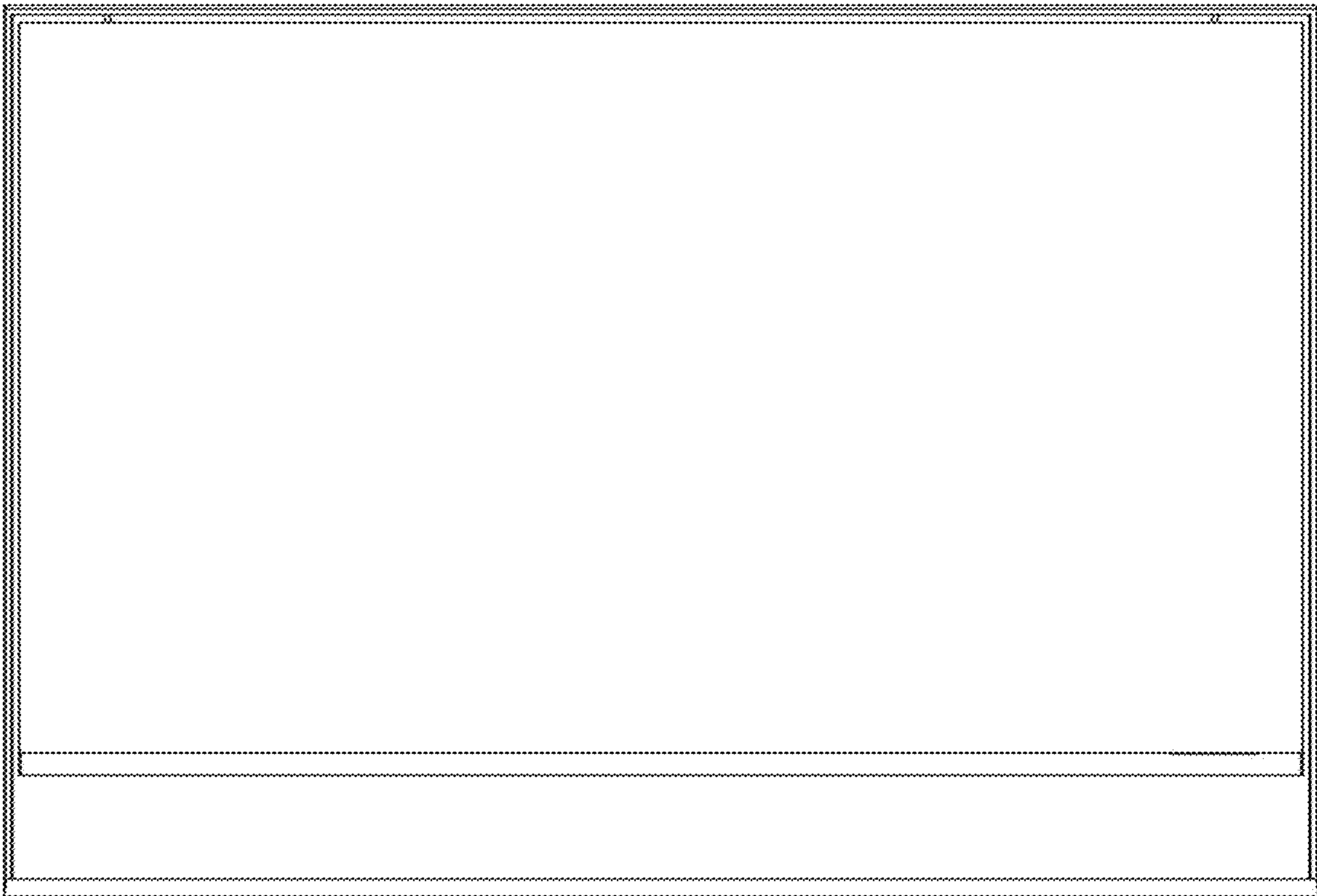
1.1



1.2



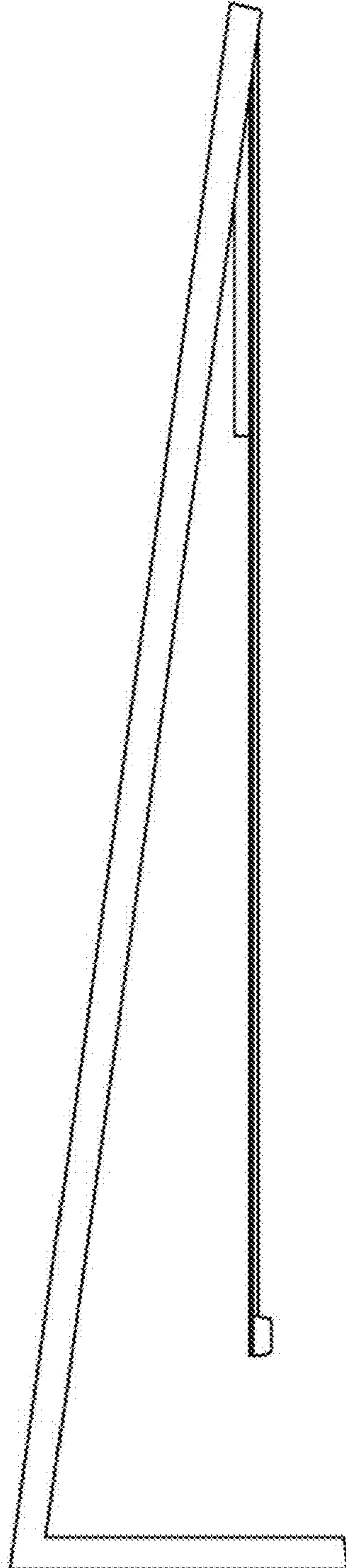
1.3



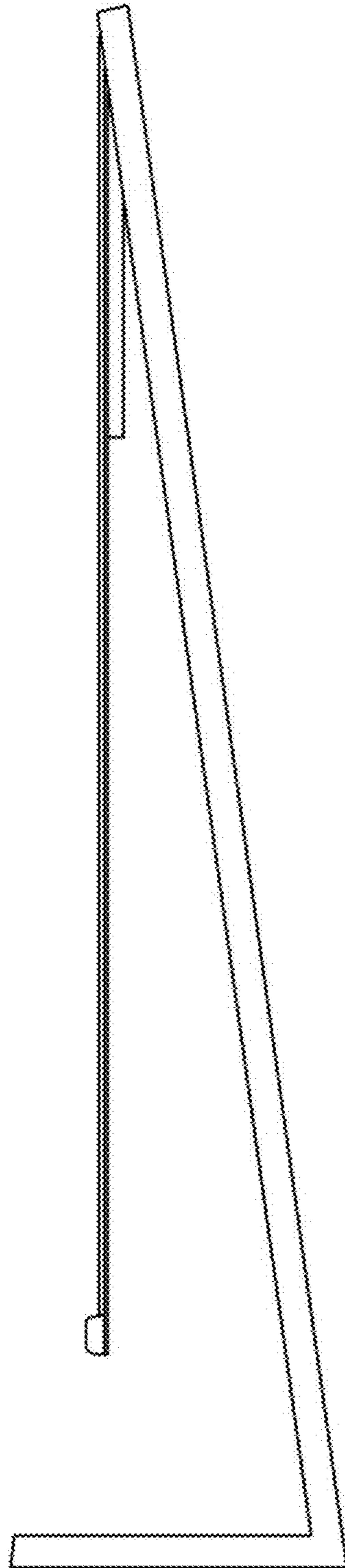
1.4



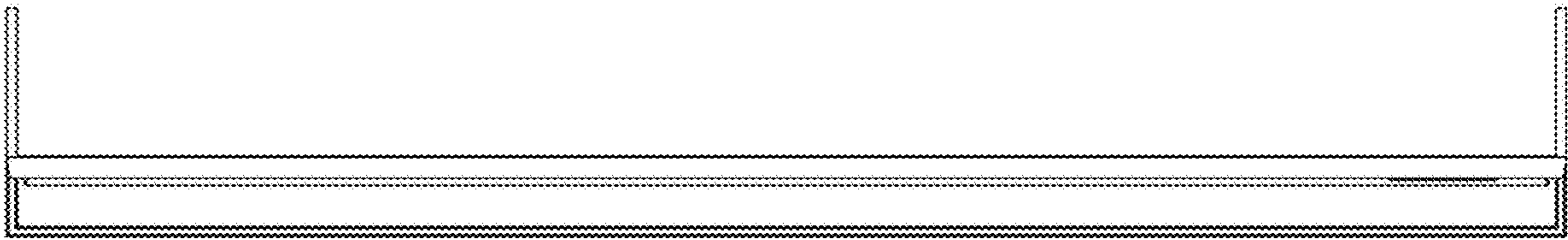
1.5



1.6



1.7



1.8

