



US00D850389S

(12) **United States Design Patent**
Diehl

(10) **Patent No.:** **US D850,389 S**

(45) **Date of Patent:** **** Jun. 4, 2019**

(54) **CONTROL DEVICE**

(71) Applicant: **Energybox Ltd.**, Wanchai (HK)

(72) Inventor: **Holger Diehl**, Frankfurt (DE)

(73) Assignee: **ENERGYBOX LTD**, Wanchai (HK)

(**) Term: **15 Years**

(21) Appl. No.: **29/534,655**

(22) Filed: **Jul. 30, 2015**

(30) **Foreign Application Priority Data**

Jan. 30, 2015 (EM) 002624304-0005

(51) **LOC (11) Cl.** **13-03**

(52) **U.S. Cl.**
USPC **D13/159**

(58) **Field of Classification Search**
USPC D13/103, 110, 112, 118, 123, 158-160,
D13/184, 199, 165-173, 177, 178
CPC H01H 33/60; H01H 33/00; H01H 33/10;
H01H 37/04; H01H 37/5427; H01H
37/52; H01H 71/00; H01H 71/02; H01H
71/06; H01H 71/12; H01H 71/08; H01H
73/08; H01H 3/22; H01H 9/02; H01H
9/20; H01H 9/30; H01H 9/00; H01H
75/00; H01H 13/44; H01H 83/00
See application file for complete search history.

(56) **References Cited**

U.S. PATENT DOCUMENTS

6,249,435 B1 * 6/2001 Vicente H05K 7/20909
165/185
D468,687 S * 1/2003 Hamada D13/113
D506,151 S * 6/2005 Roher D10/50

D507,757 S * 7/2005 Roher D10/50
D567,178 S * 4/2008 Dornauer D13/113
D577,336 S * 9/2008 Kaser D13/113
D598,502 S * 8/2009 Bonnaud D21/333
D620,454 S * 7/2010 Lissola D13/164
D647,844 S * 11/2011 Engblom D13/113
D647,845 S * 11/2011 Engblom D13/113
D647,846 S * 11/2011 Engblom D13/113
D713,801 S * 9/2014 Johansson D13/123
D714,733 S * 10/2014 Johansson D13/123
D733,069 S * 6/2015 Engblom D13/158
D733,070 S * 6/2015 Engblom D13/158
D733,071 S * 6/2015 Engblom D13/158
D778,843 S * 2/2017 Gronqvist D13/162
D780,698 S * 3/2017 Karlen D13/158
D781,166 S * 3/2017 Diehl D10/103
D781,242 S * 3/2017 Karlen D13/159
D781,243 S * 3/2017 Karlen D13/159
D781,735 S * 3/2017 Diehl D10/103
D788,714 S * 6/2017 Karlen D13/159

* cited by examiner

Primary Examiner — Mark A Goodwin

(74) *Attorney, Agent, or Firm* — Slater Matsil, LLP

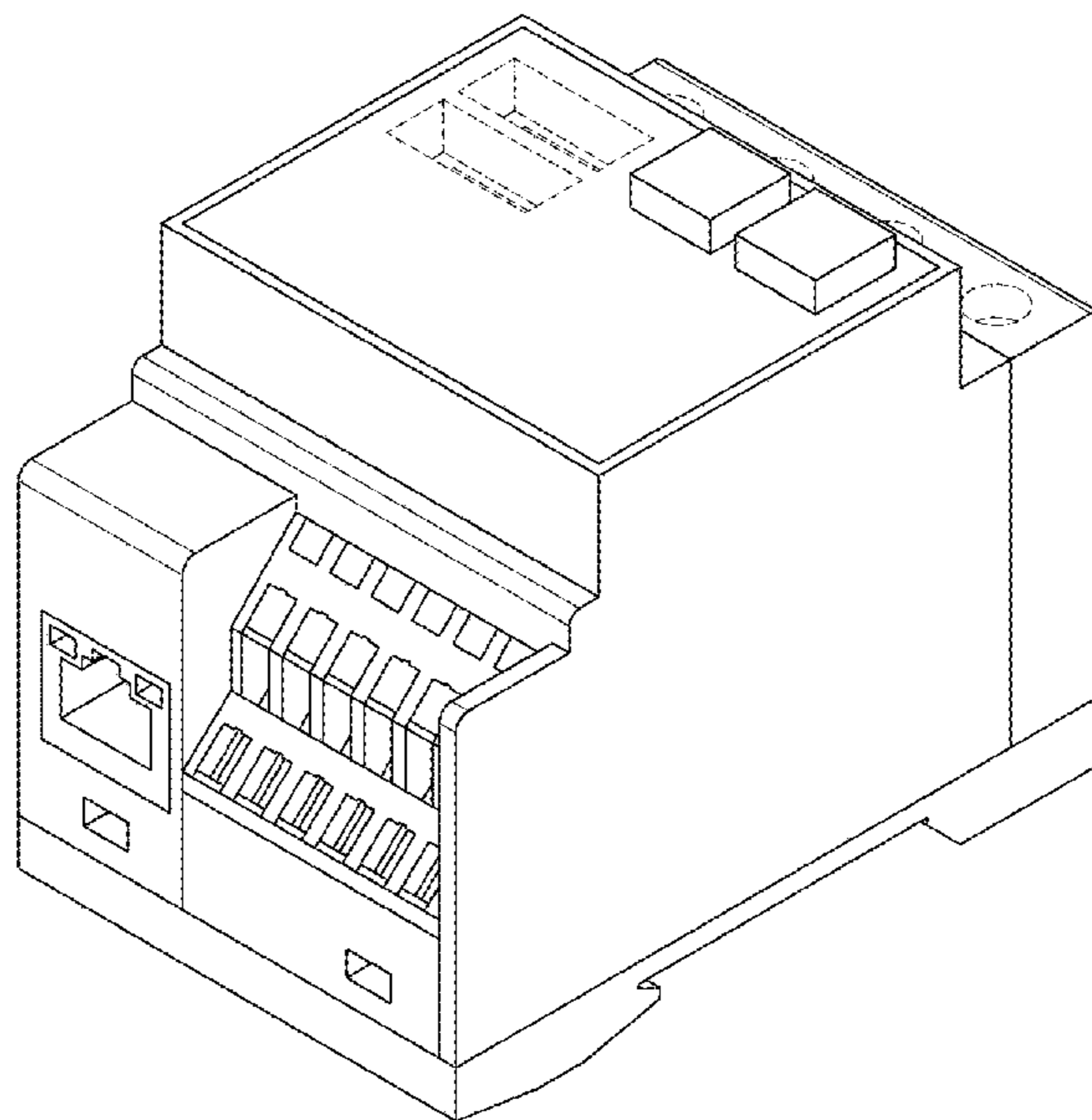
(57) **CLAIM**

The ornamental design for a control device or portion thereof, as shown and described.

DESCRIPTION

FIG. 1 is a perspective view of a control device showing the new design;
FIG. 2 is a top view thereof;
FIG. 3 is a front view thereof;
FIG. 4 is a bottom view thereof;
FIG. 5 is a backside view thereof;
FIG. 6 is a left view thereof; and,
FIG. 7 is a right view thereof.

1 Claim, 7 Drawing Sheets



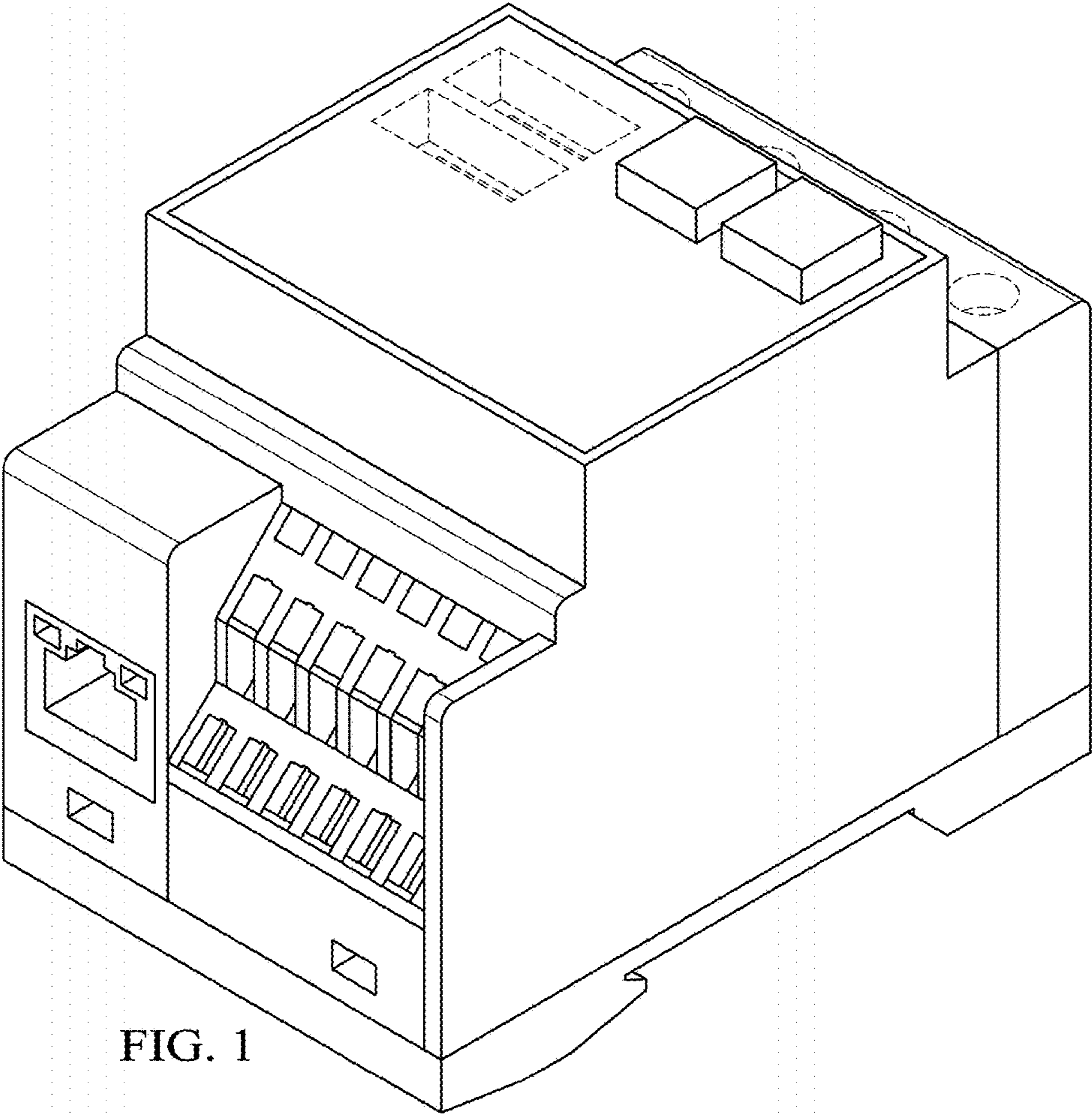


FIG. 1

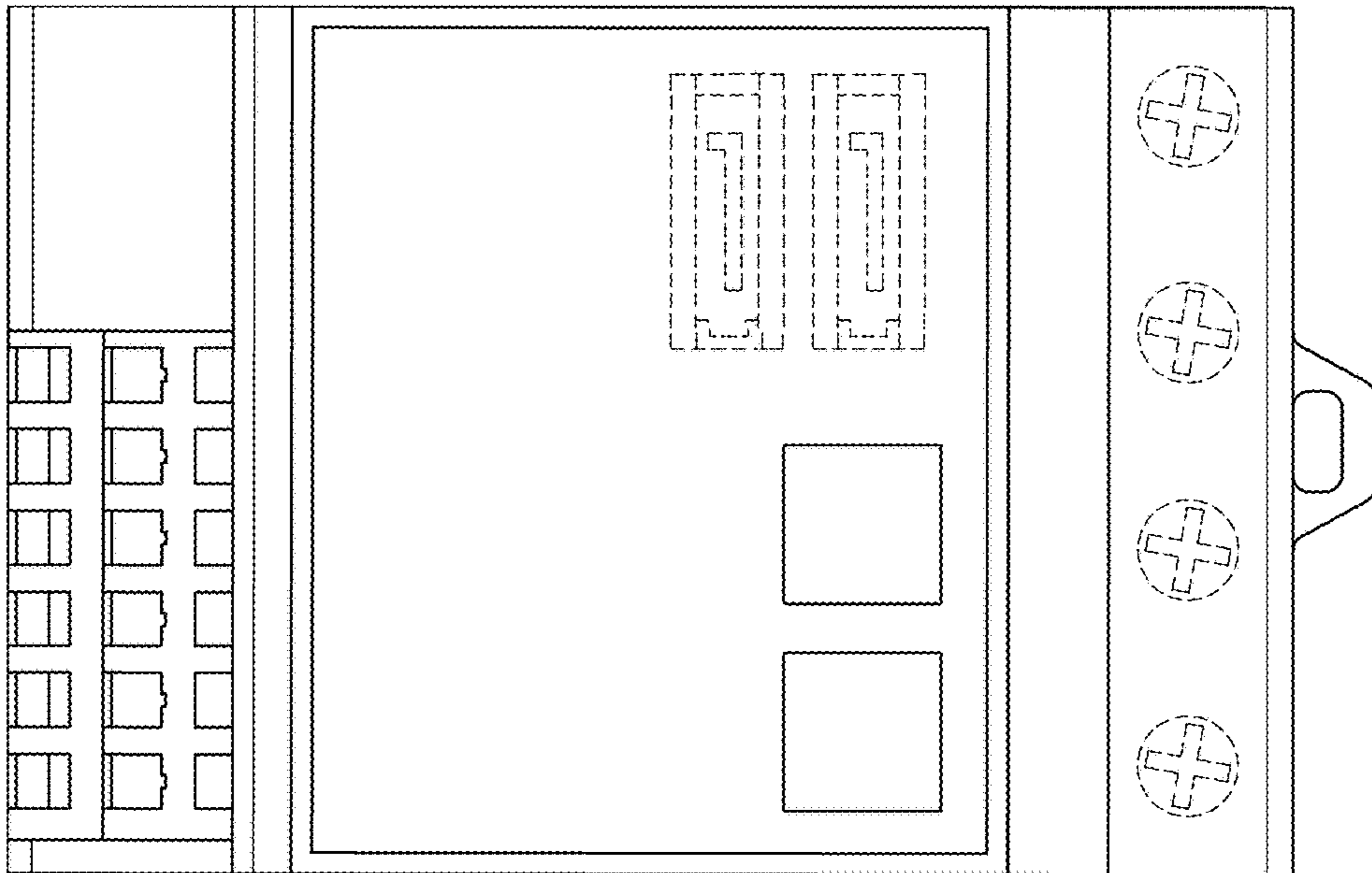


FIG. 2

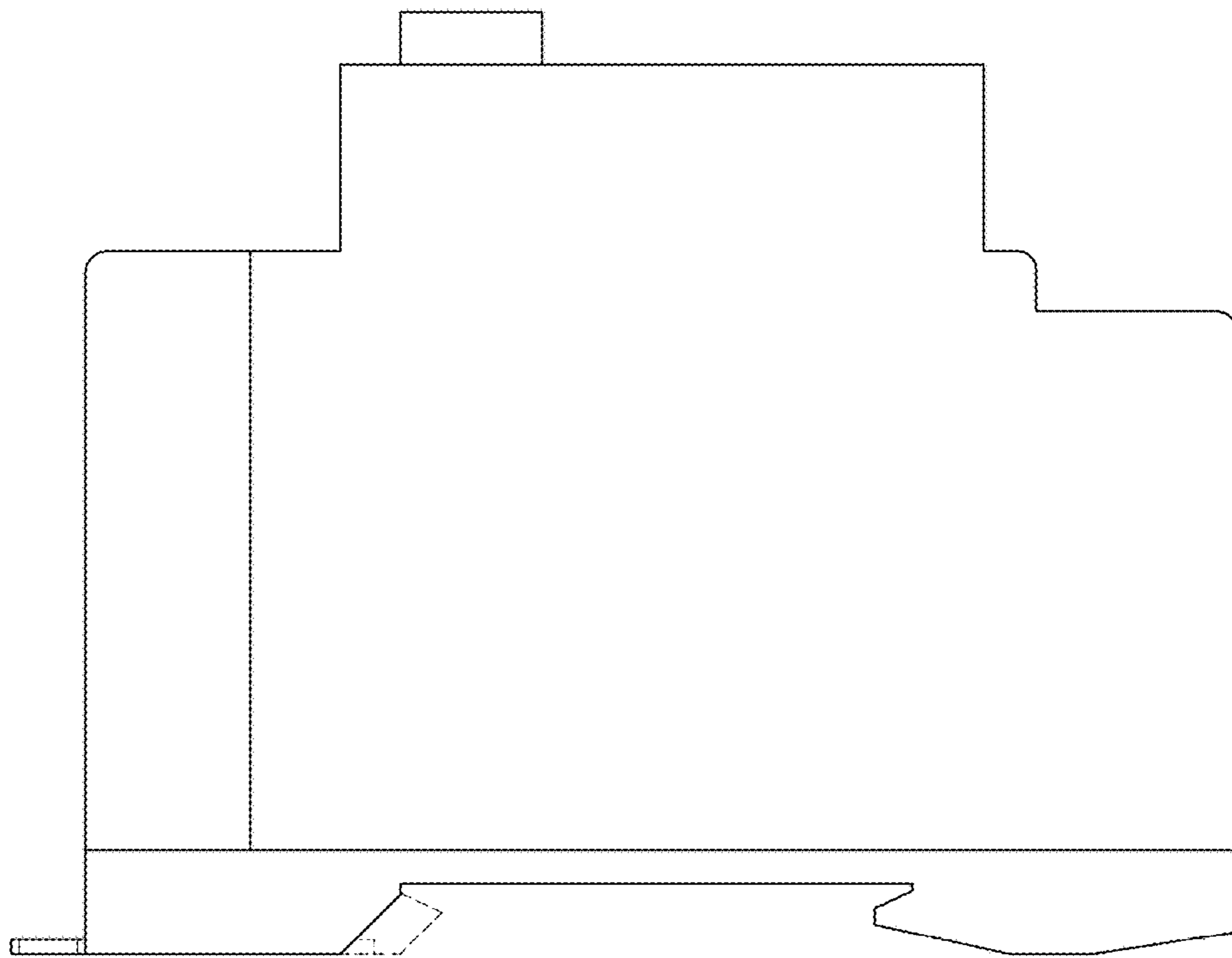


FIG. 3

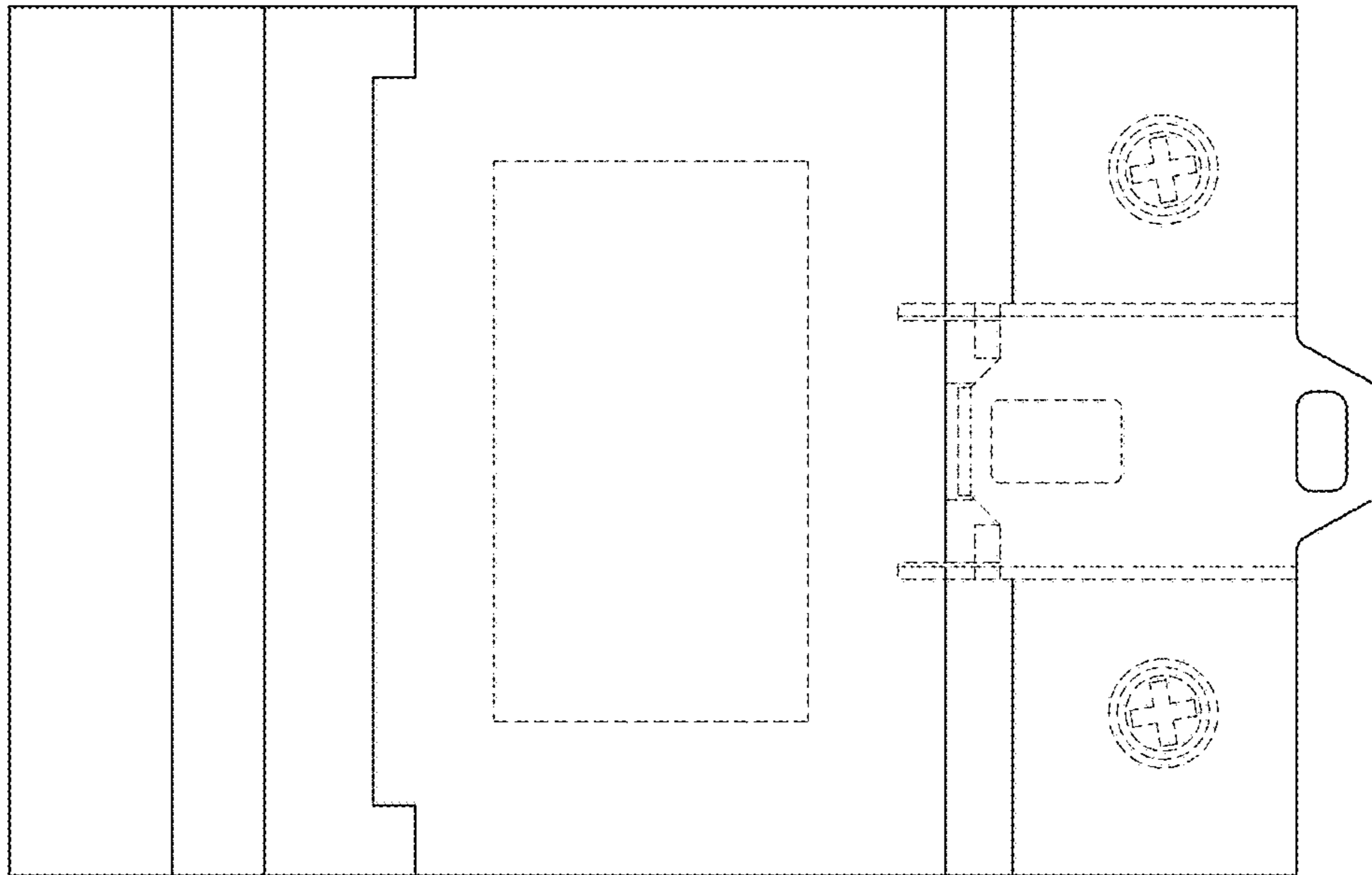


FIG. 4

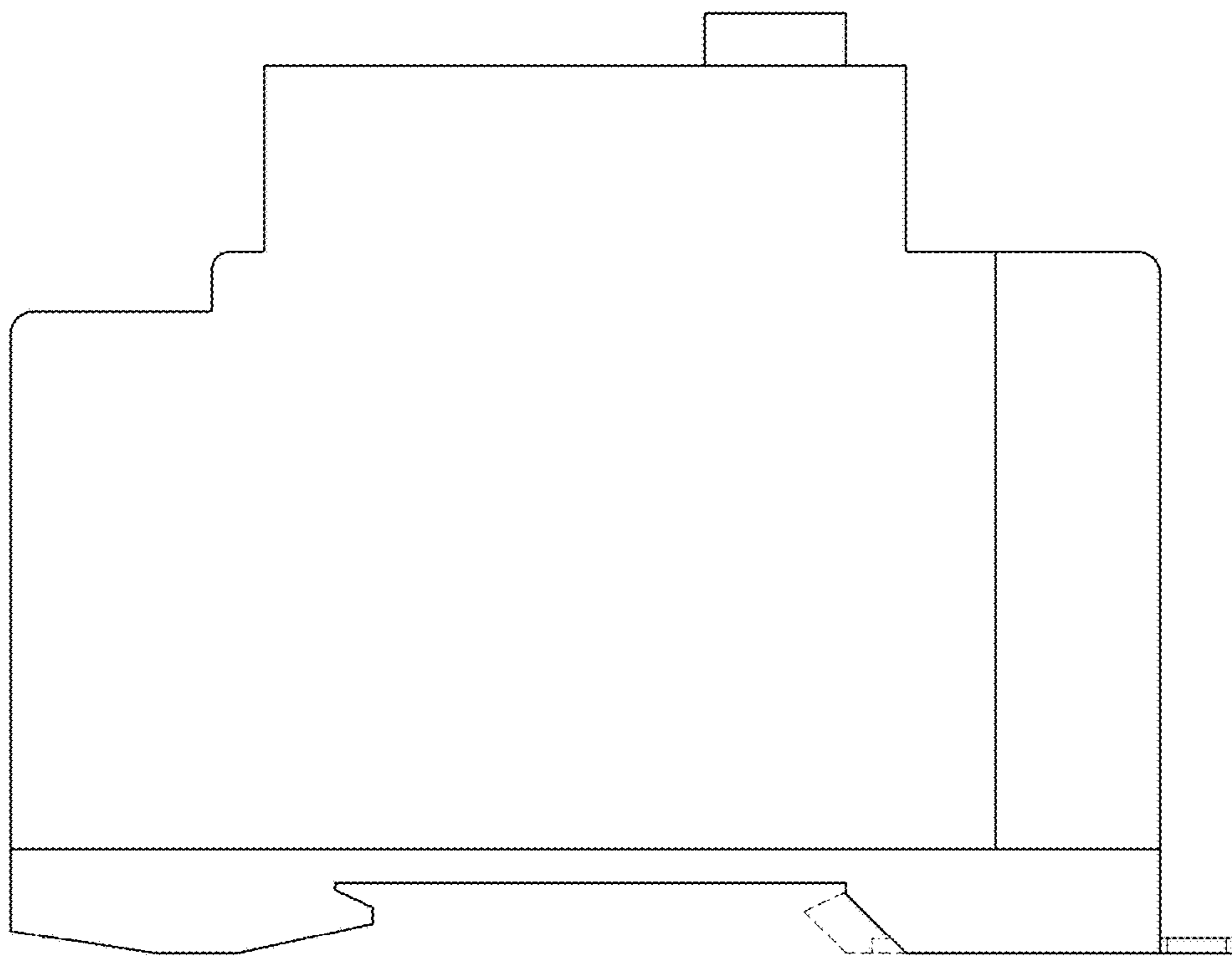


FIG. 5

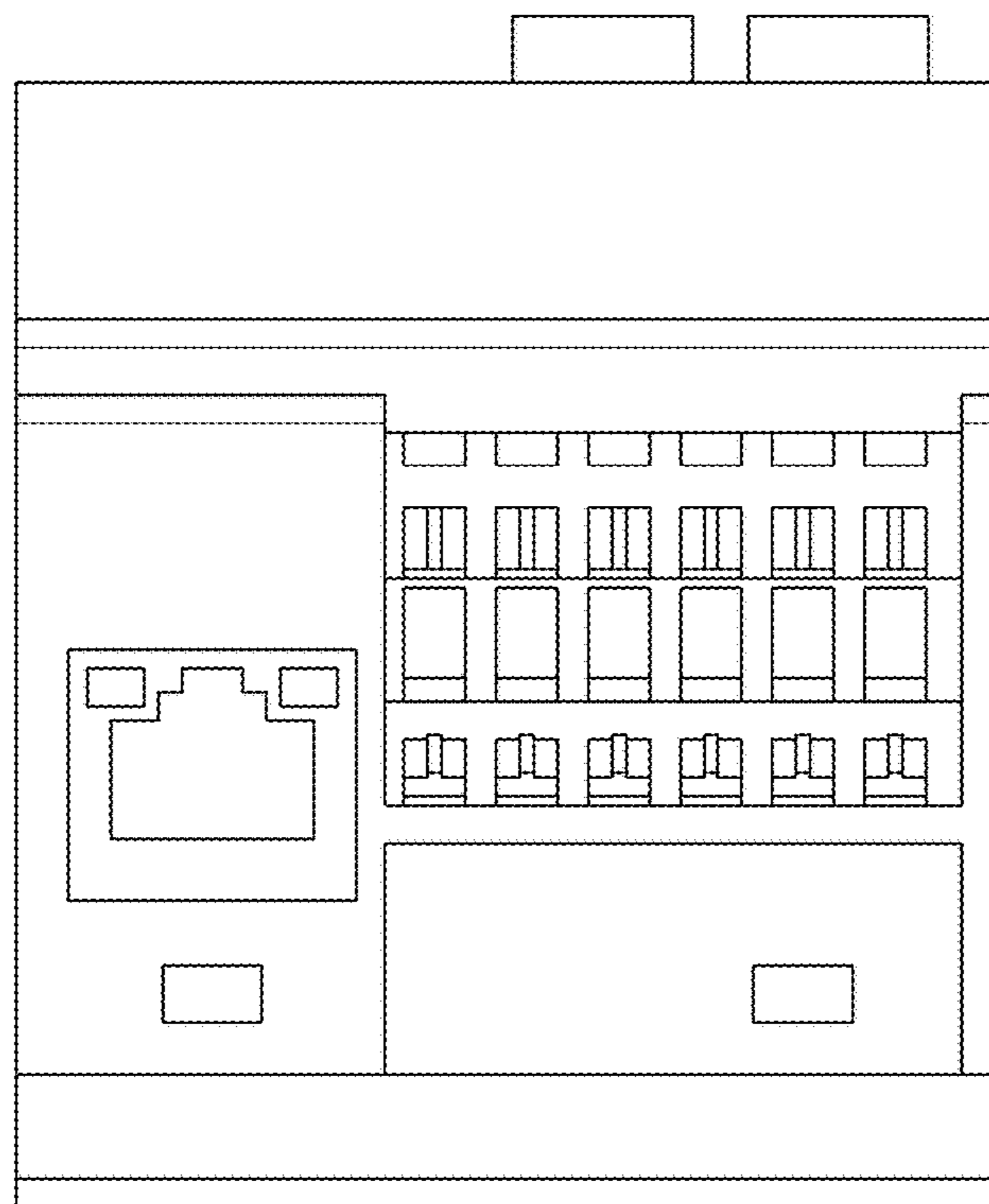


FIG. 6

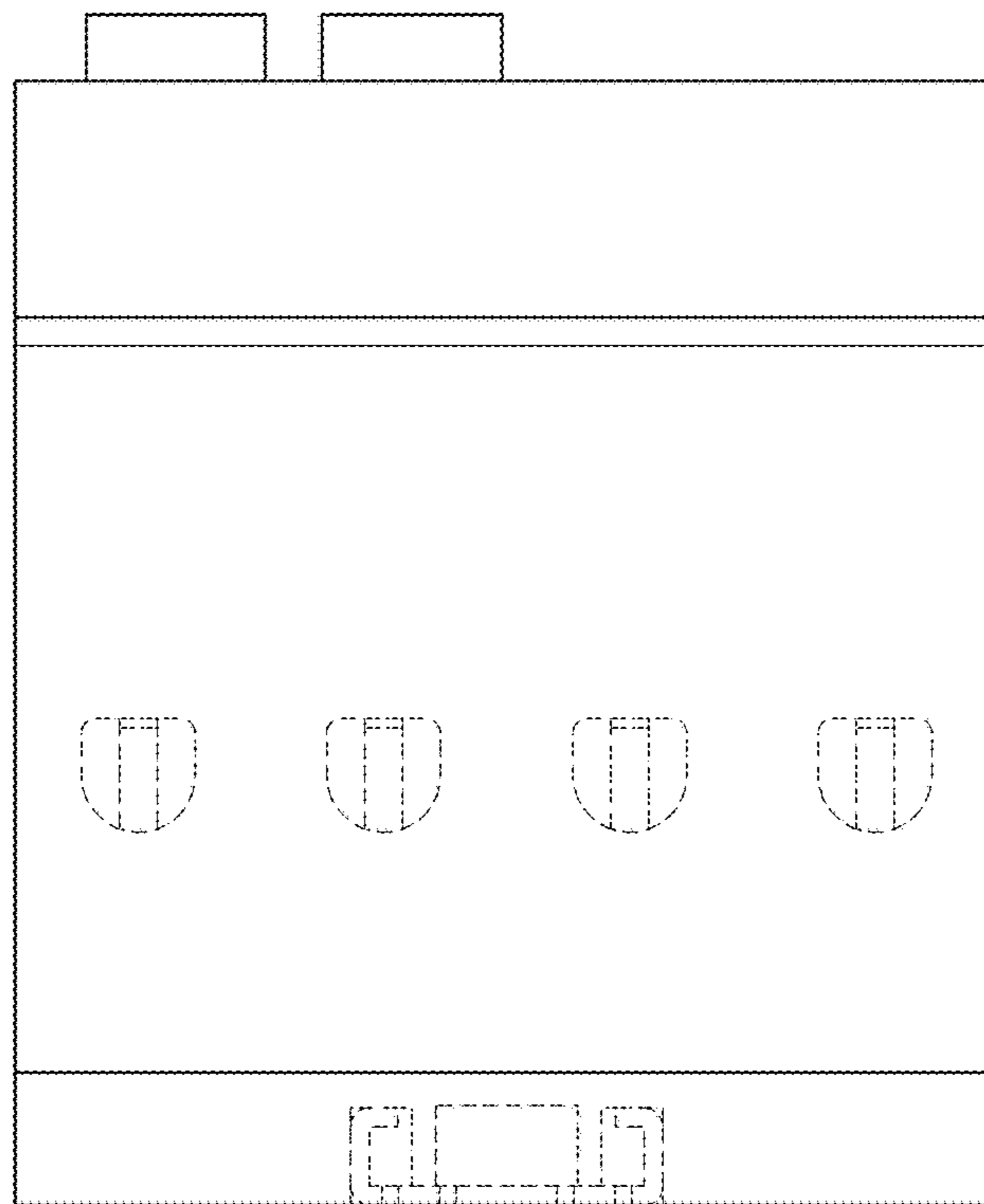


FIG. 7