



US00D850388S

(12) **United States Design Patent** (10) **Patent No.:** **US D850,388 S**  
**Morita et al.** (45) **Date of Patent:** **\*\* Jun. 4, 2019**

(54) **PUSH SWITCH**  
(71) Applicant: **OMRON Corporation**, Kyoto-shi, Kyoto (JP)  
(72) Inventors: **Kazuaki Morita**, Izumo (JP); **Yusuke Komoguchi**, Okayama (JP); **Tadahiko Ogawa**, Moriyama (JP); **Masami Nishida**, Osaka (JP)  
(73) Assignee: **OMRON Corporation**, Kyoto (JP)

D596,200 S \* 7/2009 Ogawa ..... D15/5  
D632,556 S \* 2/2011 Van Camp ..... D8/400  
D640,153 S \* 6/2011 Okitsu ..... D10/85  
D649,512 S \* 11/2011 Shimoji ..... D13/133  
D715,220 S \* 10/2014 Lin ..... D13/110  
D725,050 S \* 3/2015 Tsugawa ..... D13/171  
2016/0313759 A1 \* 10/2016 Okamura ..... G05G 5/05  
2016/0358729 A1 \* 12/2016 Hisada ..... H01H 9/04  
2018/0033572 A1 \* 2/2018 Ockert ..... G08B 25/12  
2018/0240625 A1 \* 8/2018 Stuklek ..... H01H 9/04  
2018/0283669 A1 \* 10/2018 Lin ..... F21V 23/04

(\*\*) Term: **15 Years**

\* cited by examiner

(21) Appl. No.: **29/636,214**

*Primary Examiner* — Angela J Lee

(22) Filed: **Feb. 7, 2018**

*Assistant Examiner* — Shawn T Gingrich

(74) *Attorney, Agent, or Firm* — Capitol City TechLaw

(30) **Foreign Application Priority Data**

Dec. 26, 2017 (JP) ..... 2017-029113

(51) **LOC (11) Cl.** ..... **13-03**

(52) **U.S. Cl.**  
USPC ..... **D13/158; D13/171**

(58) **Field of Classification Search**  
USPC ..... D13/107, 112, 118, 123, 133, 158–162, D13/173, 174, 184, 199, 171  
CPC ..... B60Q 1/00; B60Q 1/52; F21S 4/00; F21S 8/10; F21S 41/24; F21S 41/162; F21V 29/00; F21V 19/00; G02B 6/00; G02B 6/36; H01R 12/00; H01R 13/00; H01R 33/00; H01R 24/00; H01H 9/04; H01H 13/04; H01H 13/14; H01H 19/06; H01H 19/46; H01H 2223/002; H01H 25/04  
See application file for complete search history.

(56) **References Cited**

U.S. PATENT DOCUMENTS

D596,123 S \* 7/2009 Yang ..... D13/133  
D596,139 S \* 7/2009 Bedggood ..... D13/158

(57) **CLAIM**

The ornamental design for a push switch, as shown and described.

**DESCRIPTION**

FIG. 1 is a top, front, and right side perspective view of a push switch showing our new design;  
FIG. 2 is a front view thereof;  
FIG. 3 is a rear view thereof;  
FIG. 4 is a left side view thereof;  
FIG. 5 is a right side view thereof;  
FIG. 6 is a top view thereof; and,  
FIG. 7 is a bottom view thereof.  
The broken lines shown in the figures illustrate portions of the push switch that form no part of the claimed design. The unshaded surfaces form no part of the claimed design.

**1 Claim, 7 Drawing Sheets**

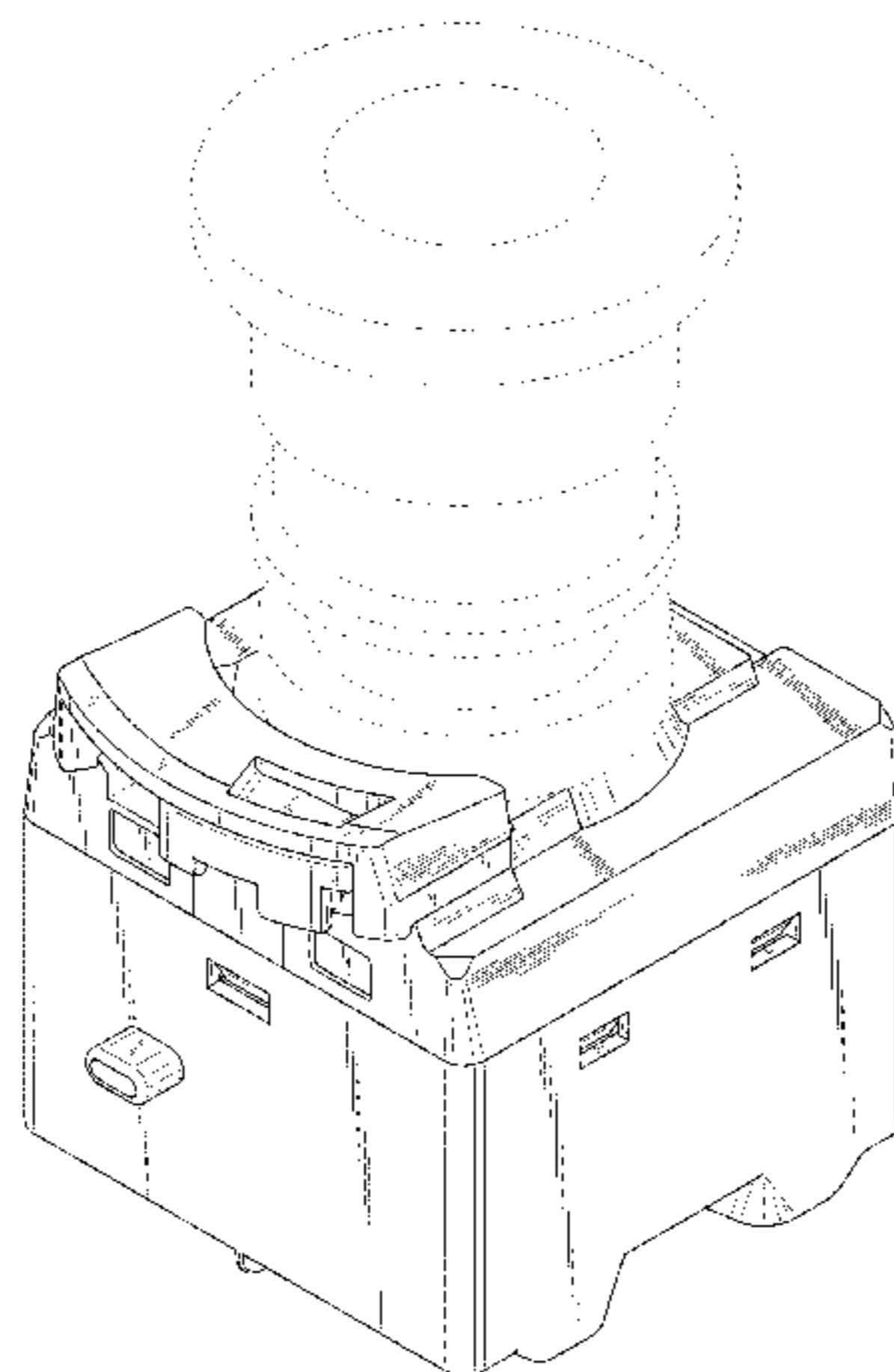


Fig. 1

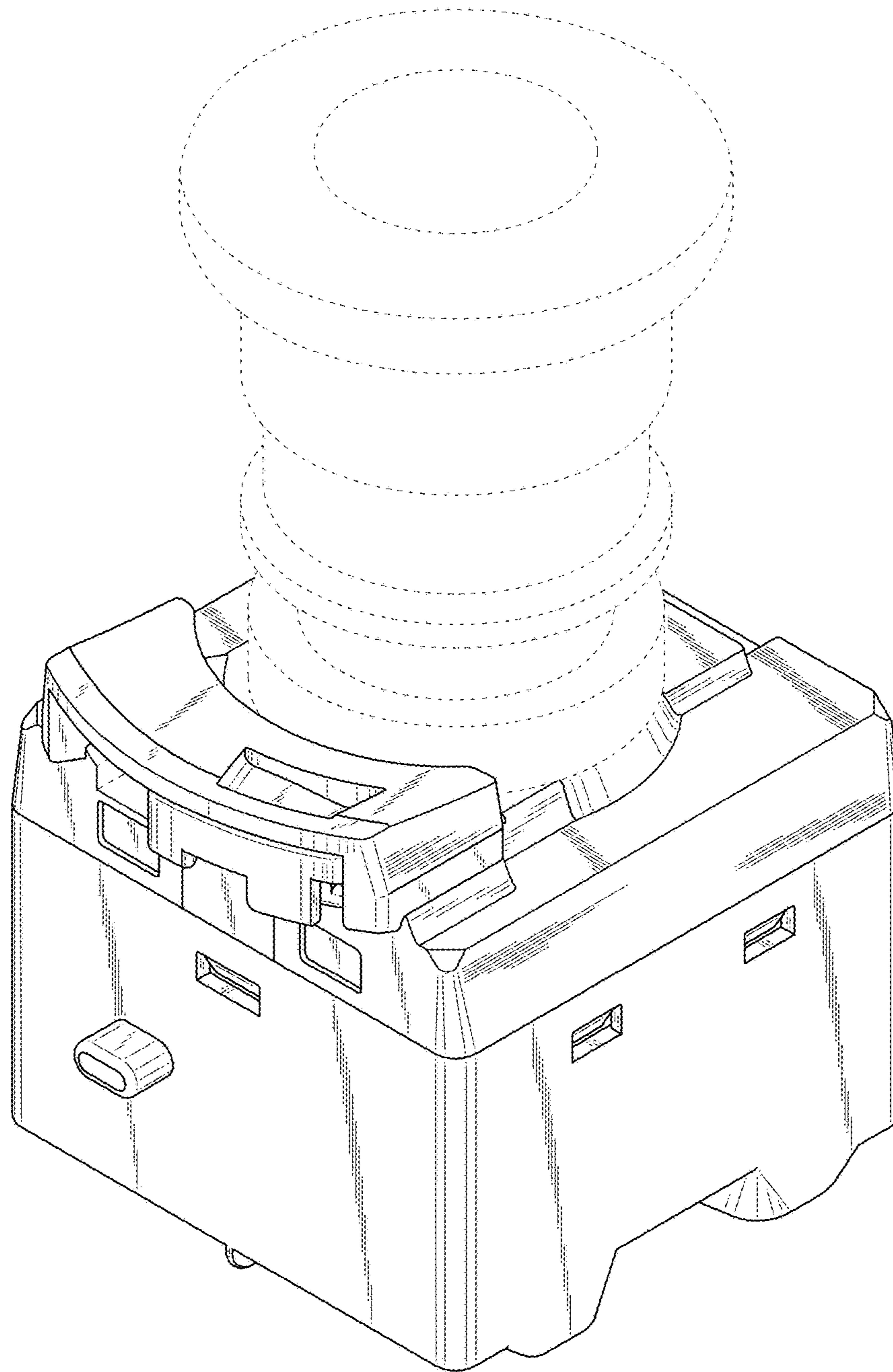


Fig. 2

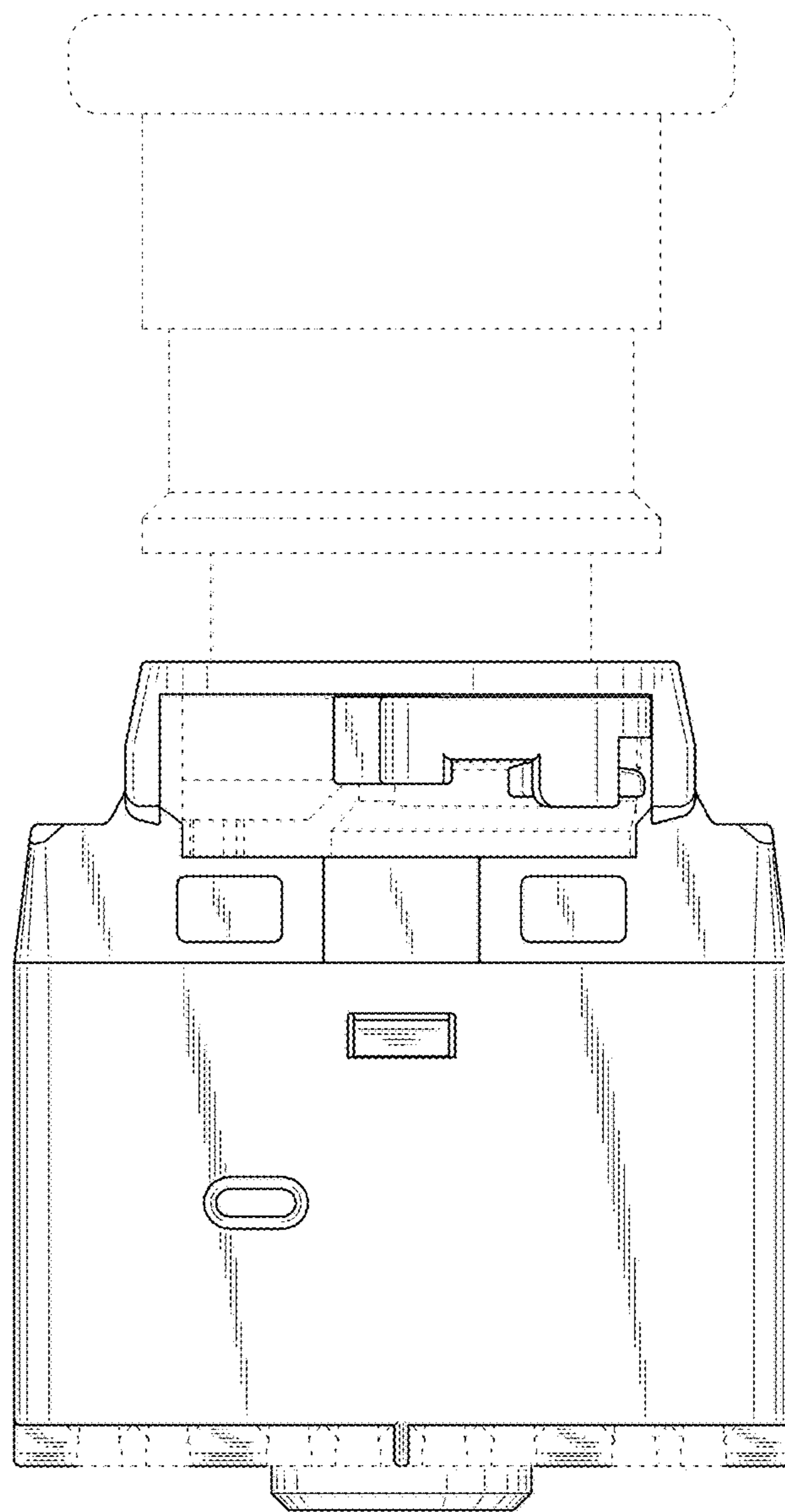


Fig. 3

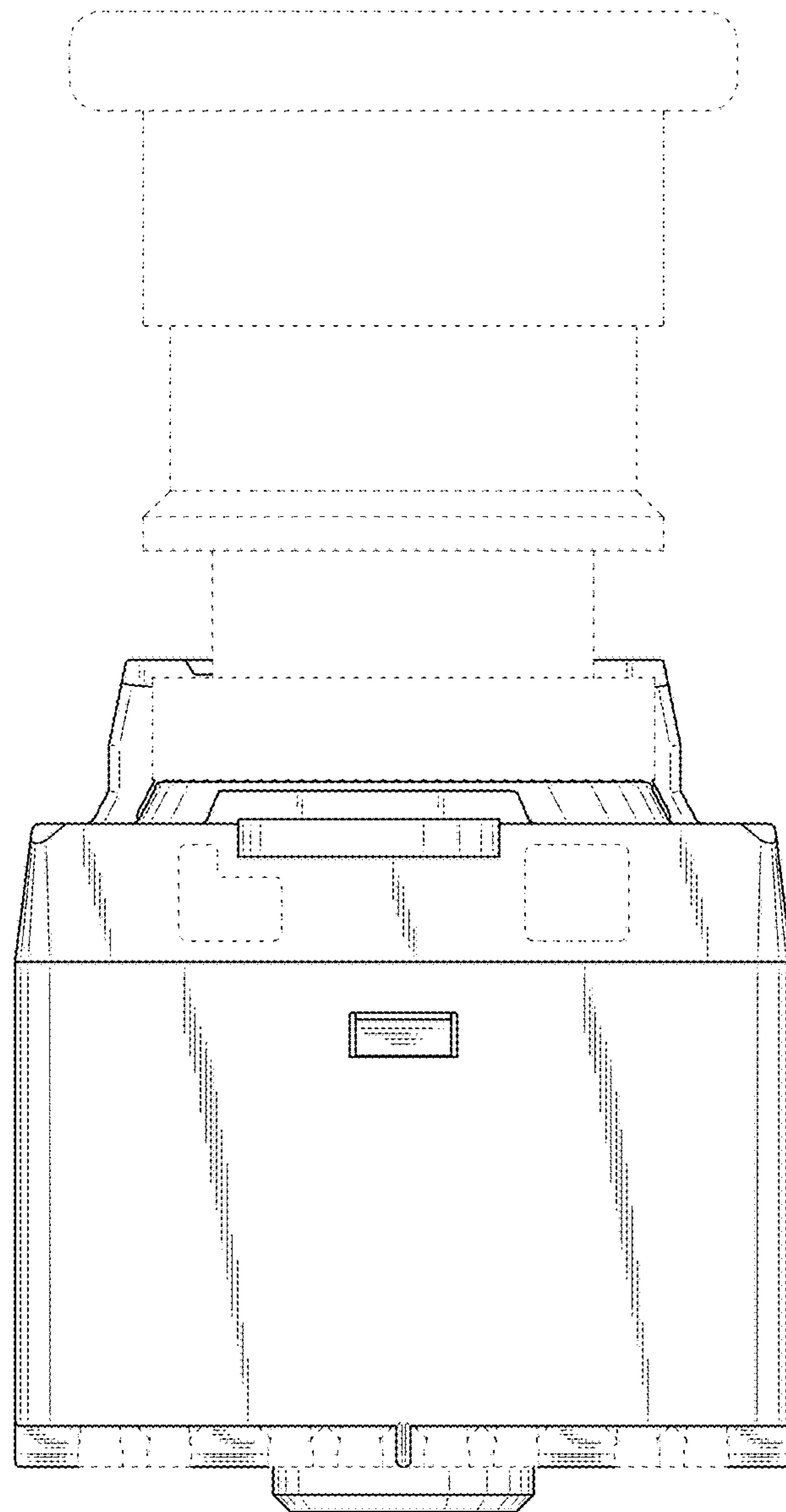


Fig. 4

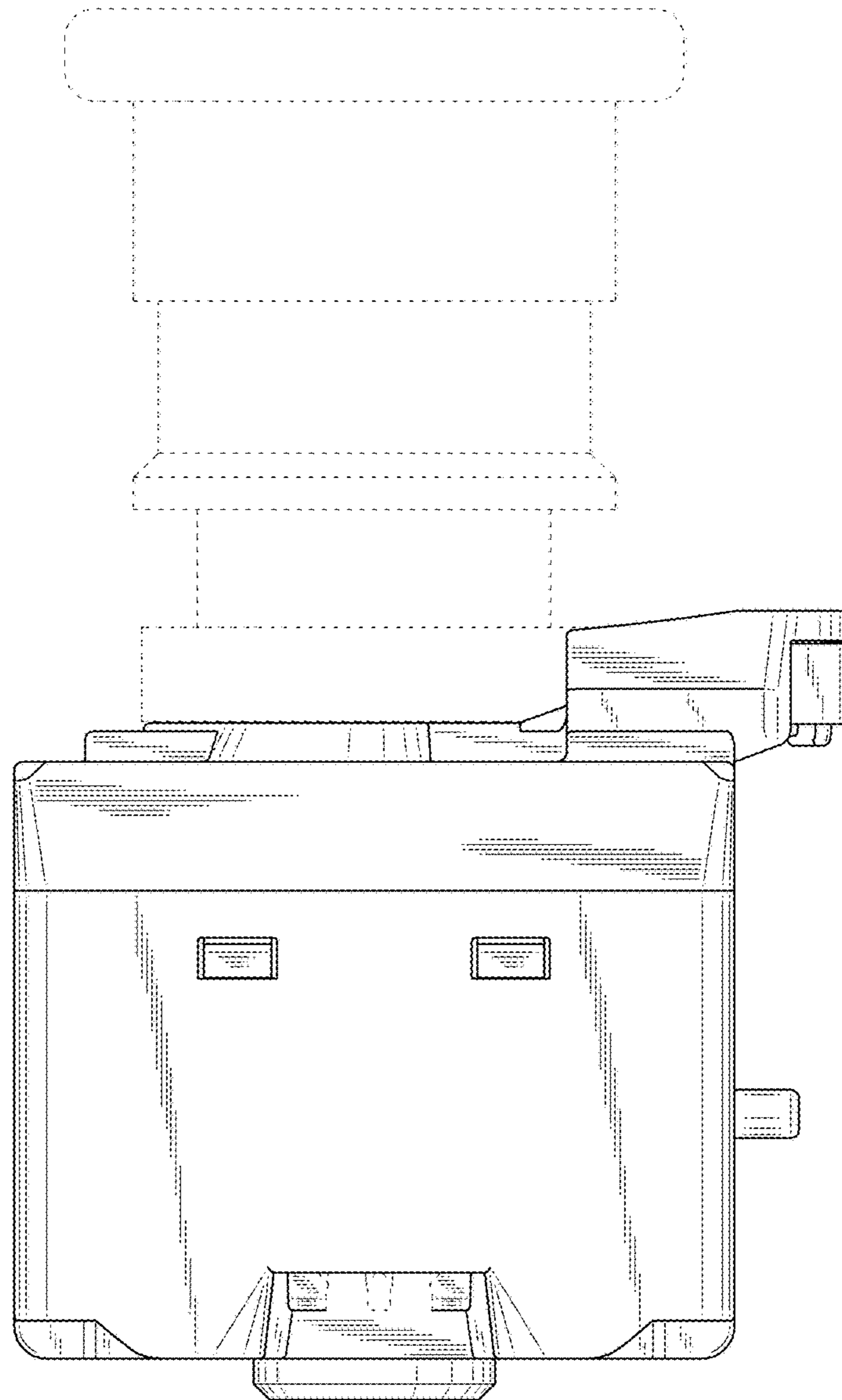


Fig. 5

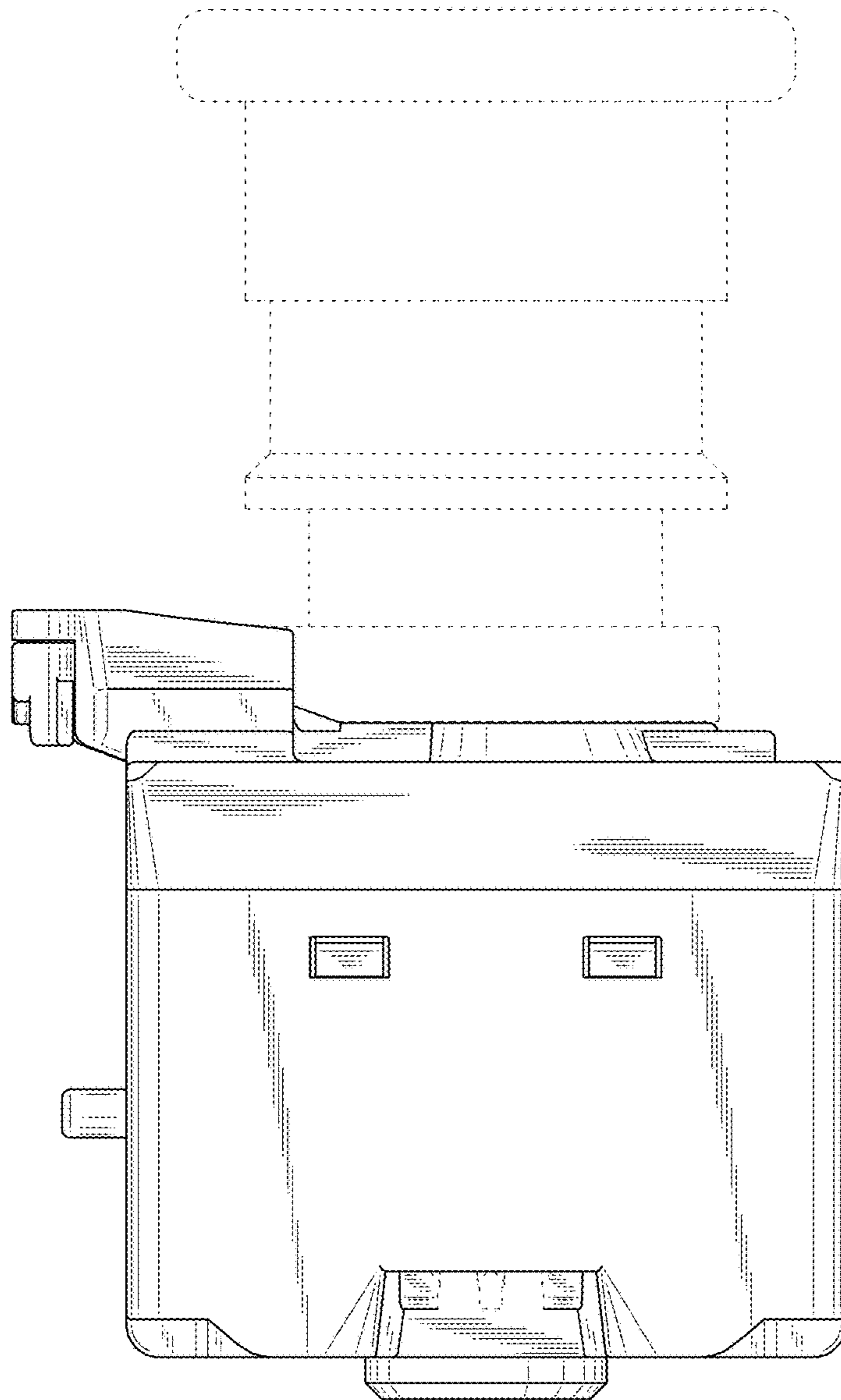


Fig. 6

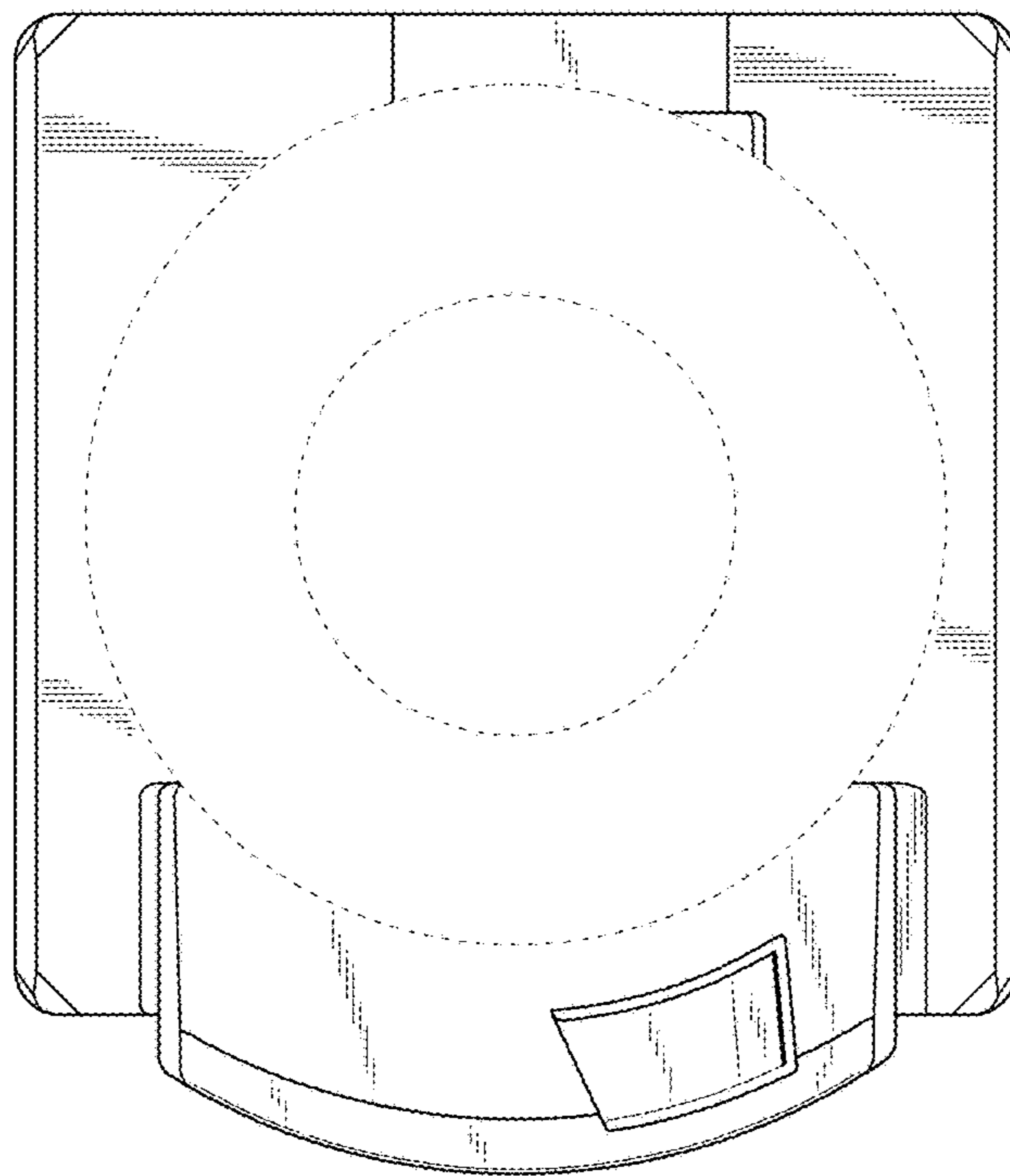


Fig. 7

