



US00D850387S

(12) **United States Design Patent**  
**Clark et al.**

(10) **Patent No.:** **US D850,387 S**  
(45) **Date of Patent:** **\*\* Jun. 4, 2019**

(54) **HOUSING**

(71) Applicant: **EATON CORPORATION**, Cleveland, OH (US)

(72) Inventors: **John Thomas Clark**, Beaver, PA (US);  
**Andrew William Courson**, McGrann, PA (US)

(73) Assignee: **EATON INTELLIGENT POWER LIMITED**, Dublin (IE)

(\*\*) Term: **15 Years**

(21) Appl. No.: **29/602,199**

(22) Filed: **Apr. 28, 2017**

(51) **LOC (11) Cl.** ..... **13-03**

(52) **U.S. Cl.**  
USPC ..... **D13/156**

(58) **Field of Classification Search**  
USPC ..... D13/110, 123, 133, 137.1, 139.1, 139.4,  
D13/152, 154, 155, 156, 158, 162, 164,  
D13/173, 177, 184, 199; D8/349-351,  
D8/353; D26/72, 92

CPC ..... H02G 1/08; H02G 3/083; H02G 3/22;  
H02G 3/06; H01R 13/56; H01R 13/629;  
H01R 13/64; H01R 13/5025

See application file for complete search history.

(56) **References Cited**

**U.S. PATENT DOCUMENTS**

3,337,689 A \* 8/1967 Rudolph ..... H02G 3/22  
174/80  
4,553,000 A \* 11/1985 Appleton ..... H01R 13/629  
200/50.29

D304,367 S \* 10/1989 Saas ..... D23/373  
D321,950 S \* 11/1991 Enthoven ..... D26/87  
D324,853 S \* 3/1992 Johnson ..... D13/154  
5,298,701 A \* 3/1994 Sandor ..... H01R 13/707  
200/50.31  
D370,890 S \* 6/1996 Tiberio, Jr. .... D13/146  
D467,878 S \* 12/2002 Bryndzia ..... D13/154  
D540,656 S \* 4/2007 Corbin ..... D8/353  
D675,999 S \* 2/2013 Puskar-Pasewicz ..... D13/177  
D713,091 S \* 9/2014 Guercio ..... D26/92  
D804,082 S \* 11/2017 Boorum ..... D26/118  
2013/0271977 A1 \* 10/2013 Ronen ..... F21V 15/013  
362/235

\* cited by examiner

*Primary Examiner* — Derrick E Holland

*Assistant Examiner* — Jennifer O King

(74) *Attorney, Agent, or Firm* — Eckert Seamans

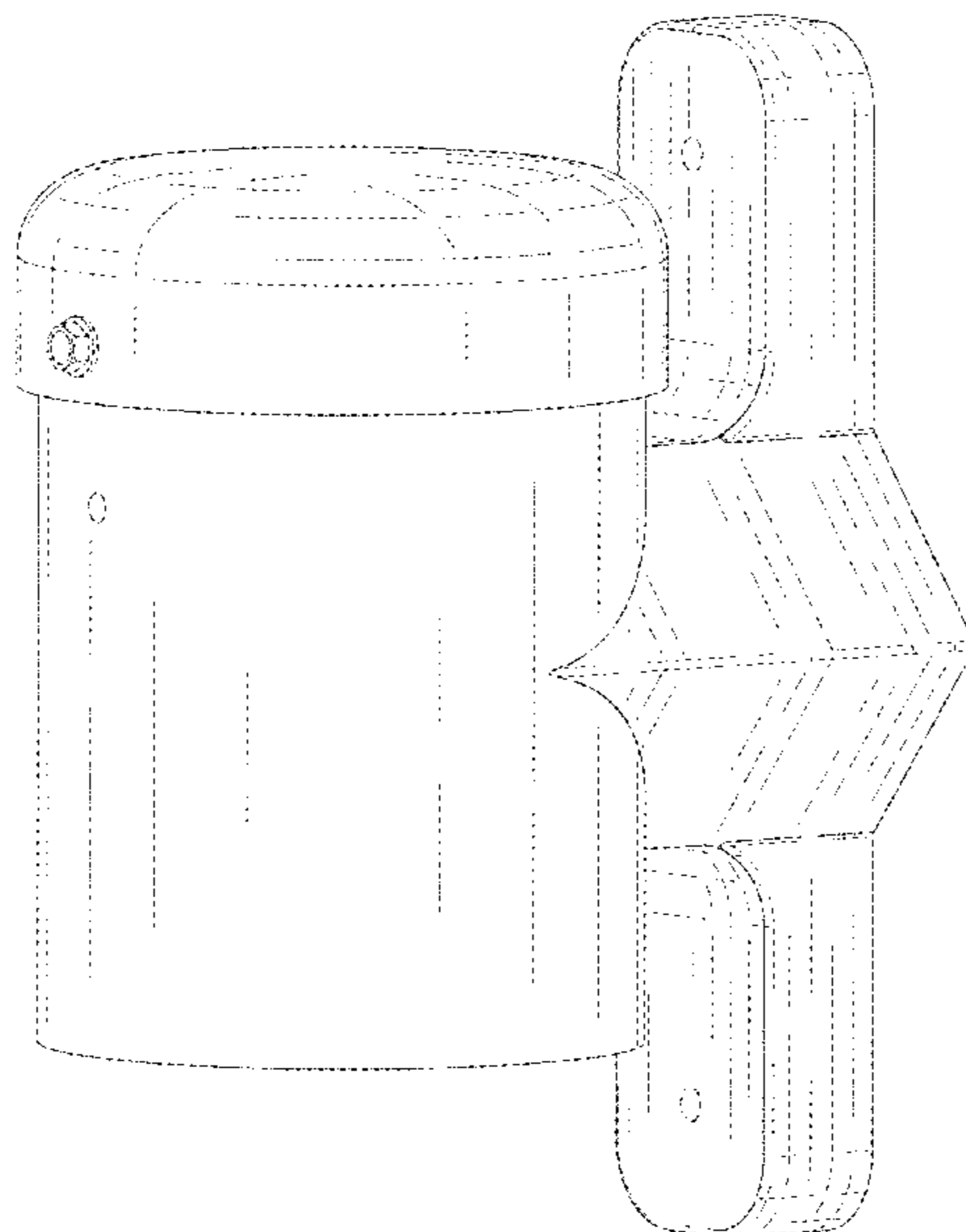
(57) **CLAIM**

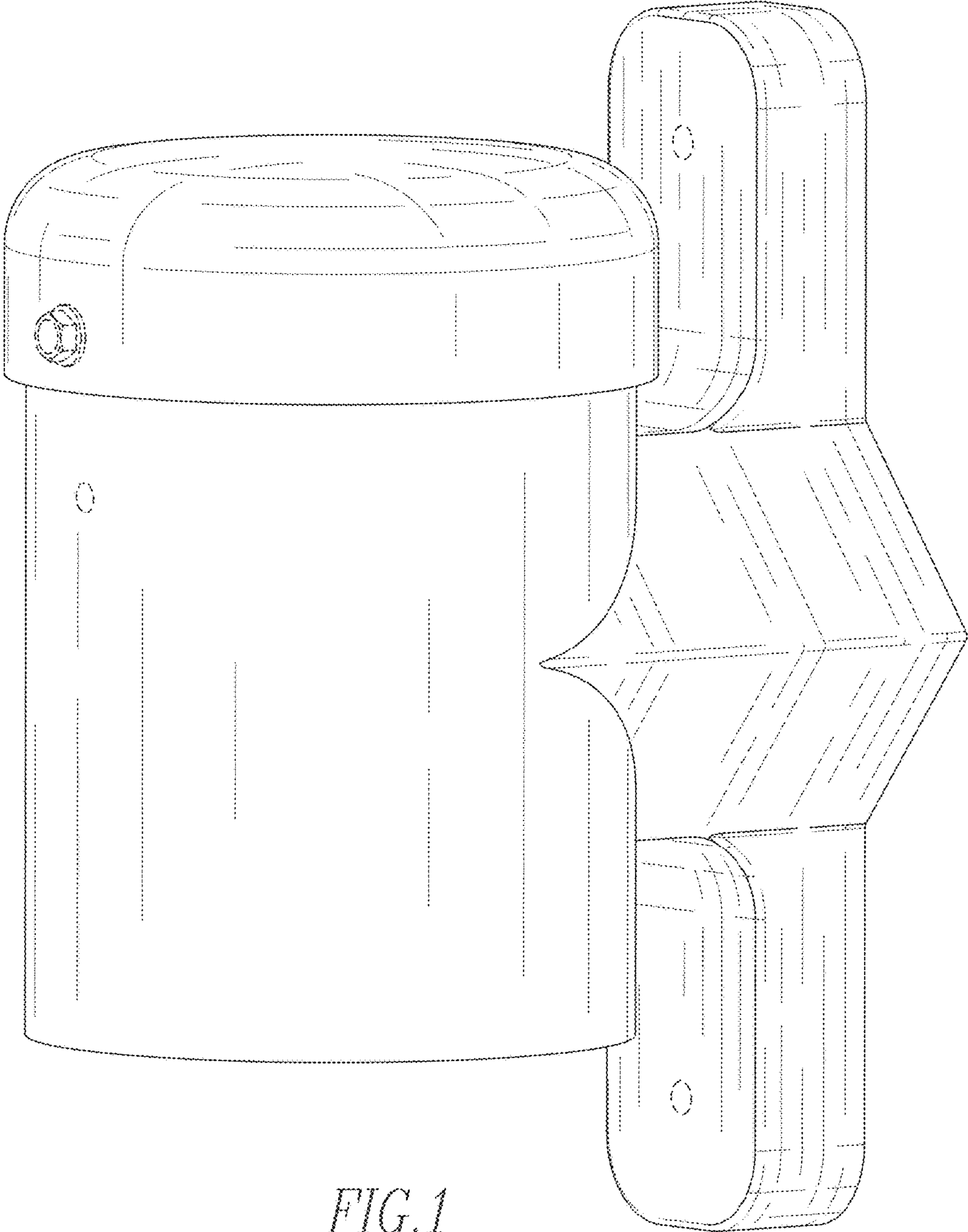
The ornamental design for a housing, as shown and described.

**DESCRIPTION**

FIG. 1 is a front isometric view of a housing;  
FIG. 2 is a rear isometric view thereof;  
FIG. 3 is another rear isometric view thereof;  
FIG. 4 is a front elevational view thereof;  
FIG. 5 is a back elevational view thereof;  
FIG. 6 is a right side elevational view thereof;  
FIG. 7 is a left side elevational view thereof;  
FIG. 8 is a top plan view of thereof; and,  
FIG. 9 is a bottom plan view thereof.  
The broken lines shown represent portions of the housing that form no part of the claimed design.

**1 Claim, 9 Drawing Sheets**





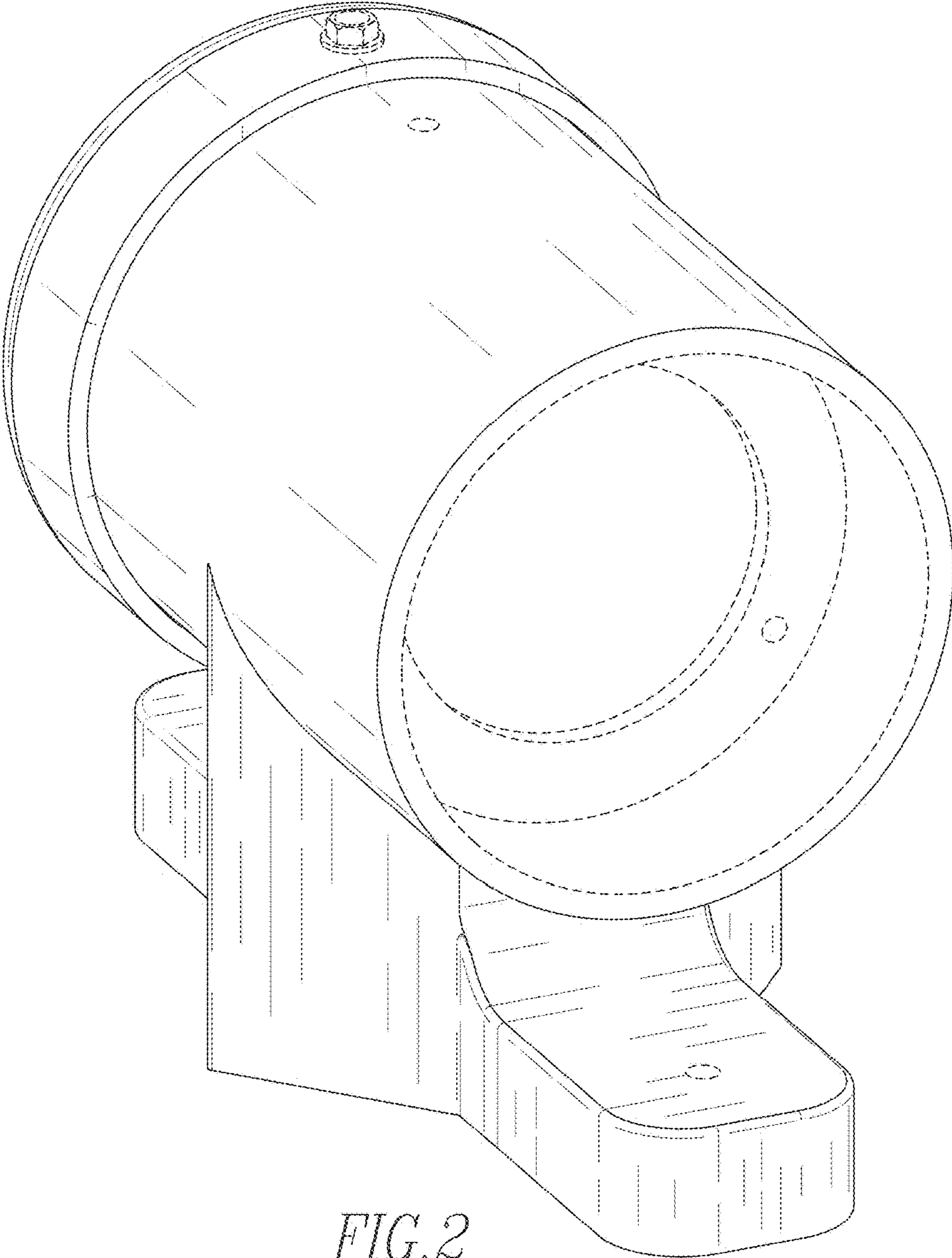


FIG. 2

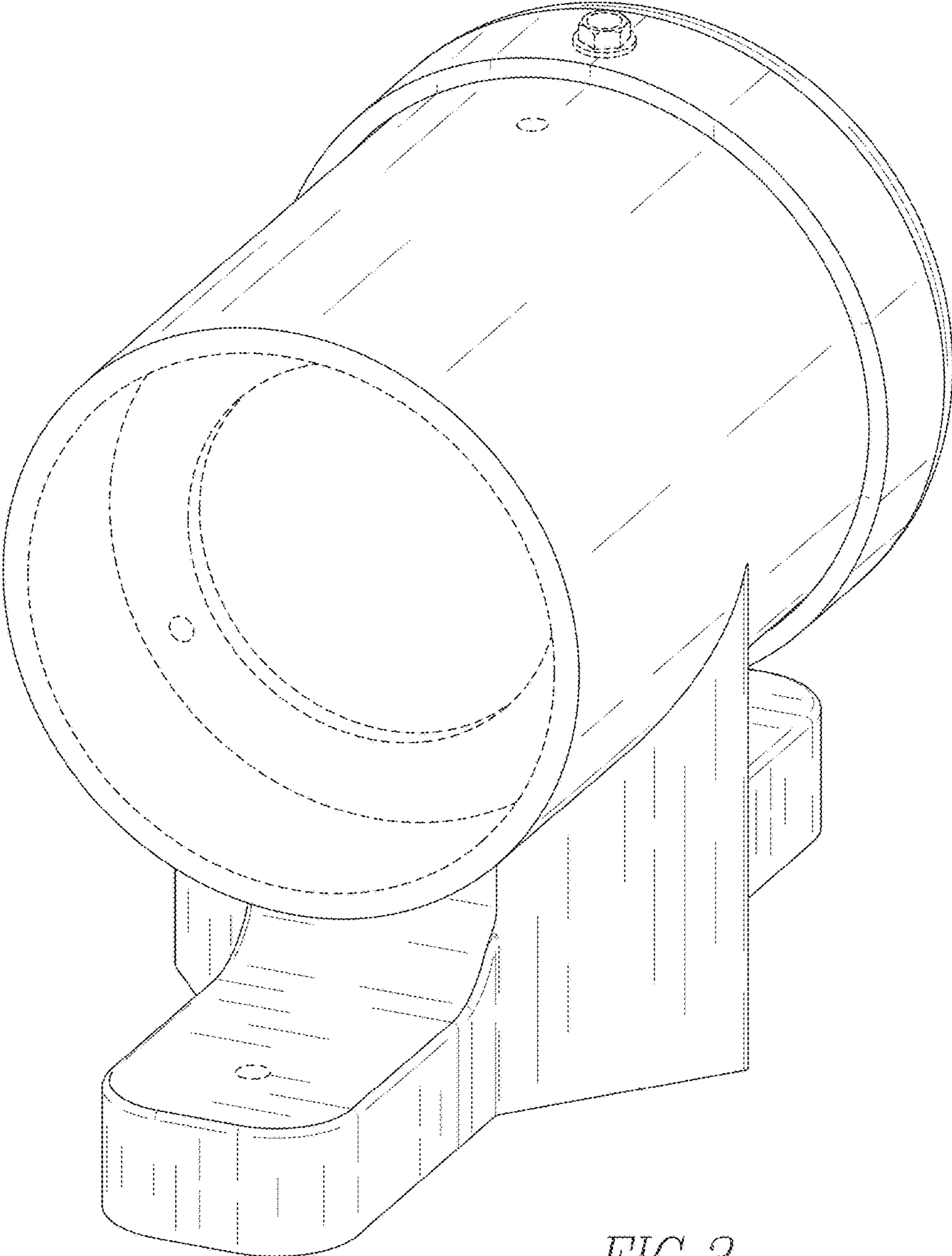


FIG. 3

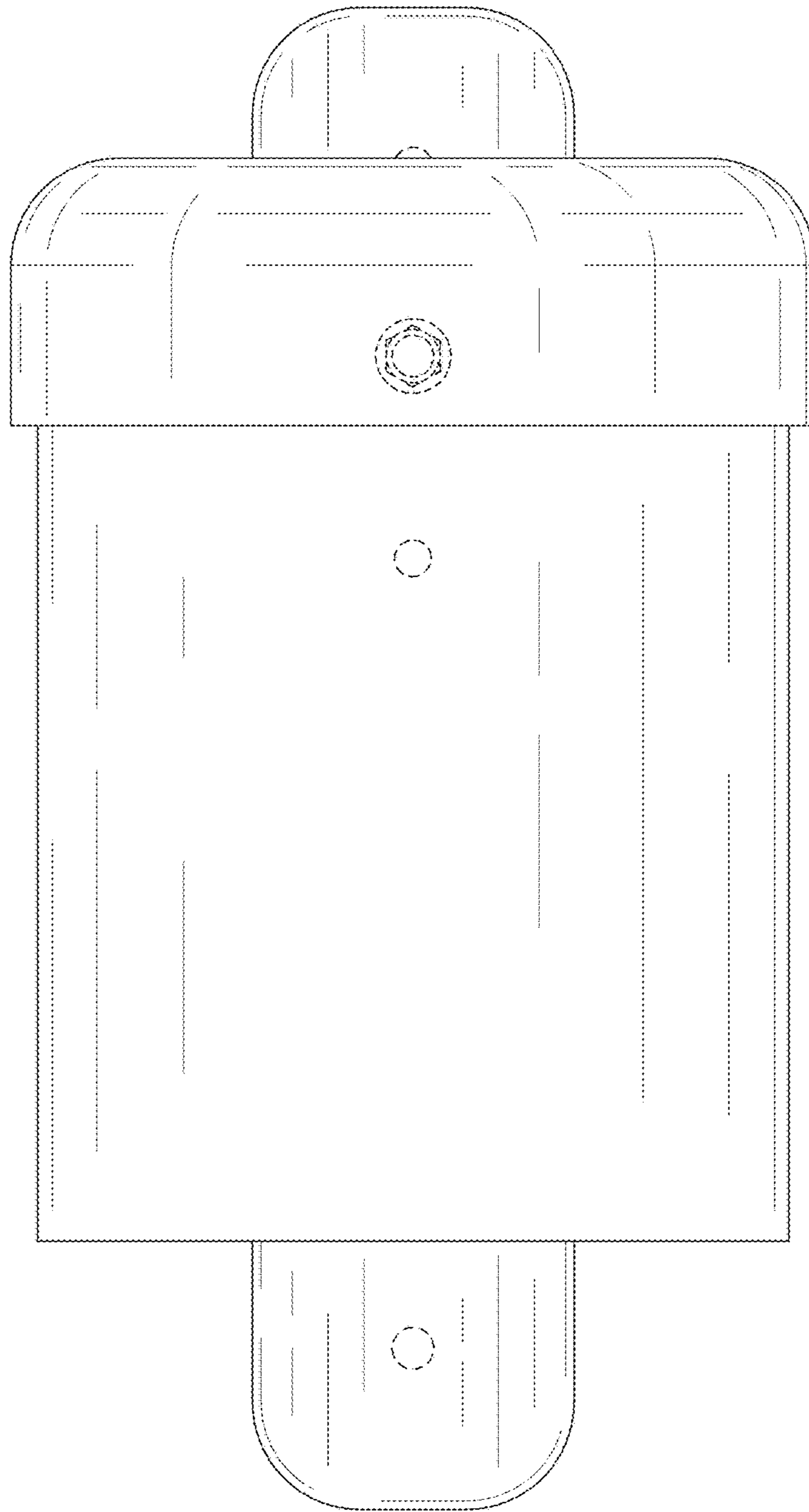


FIG. 4



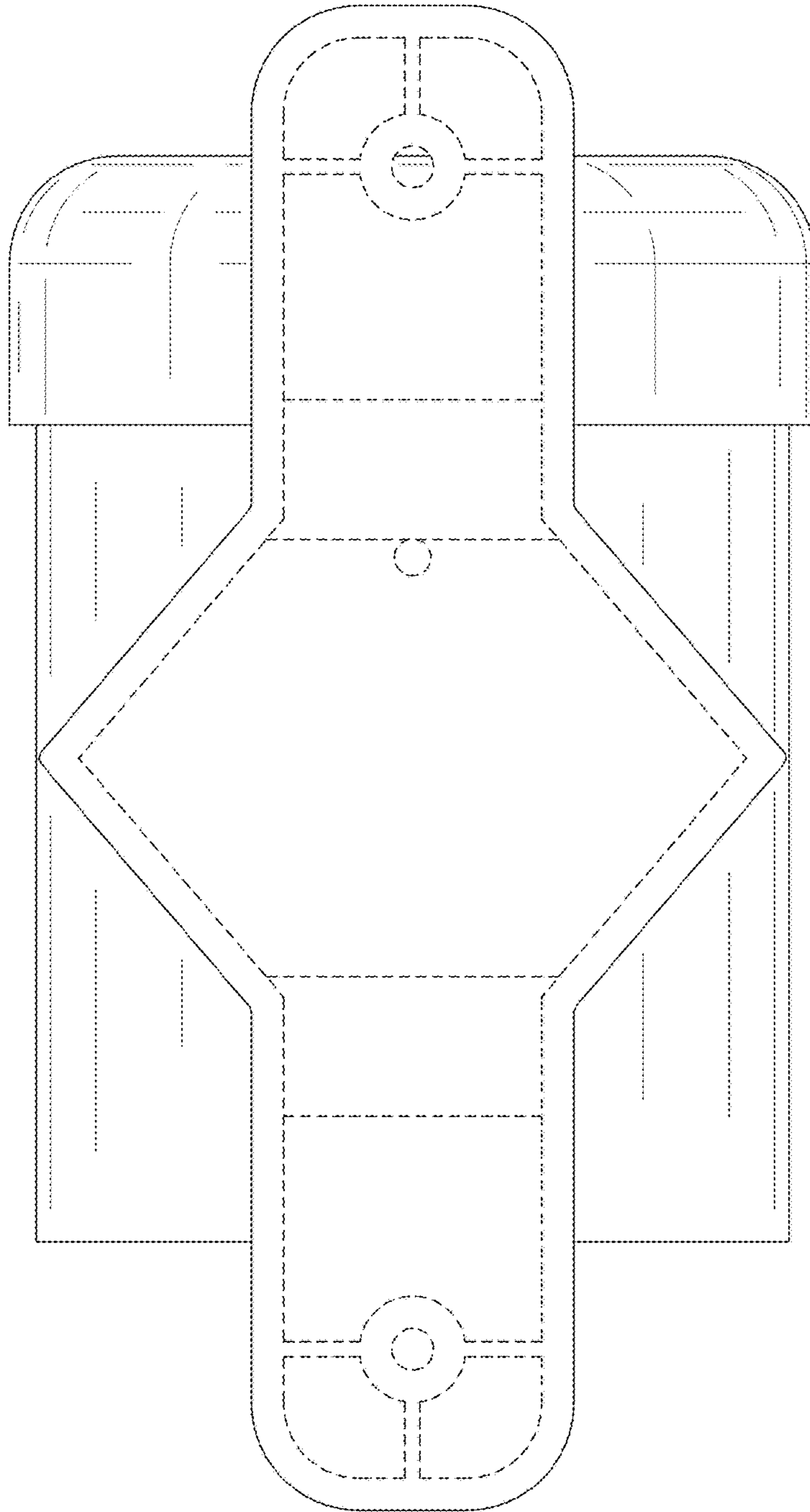


FIG. 5

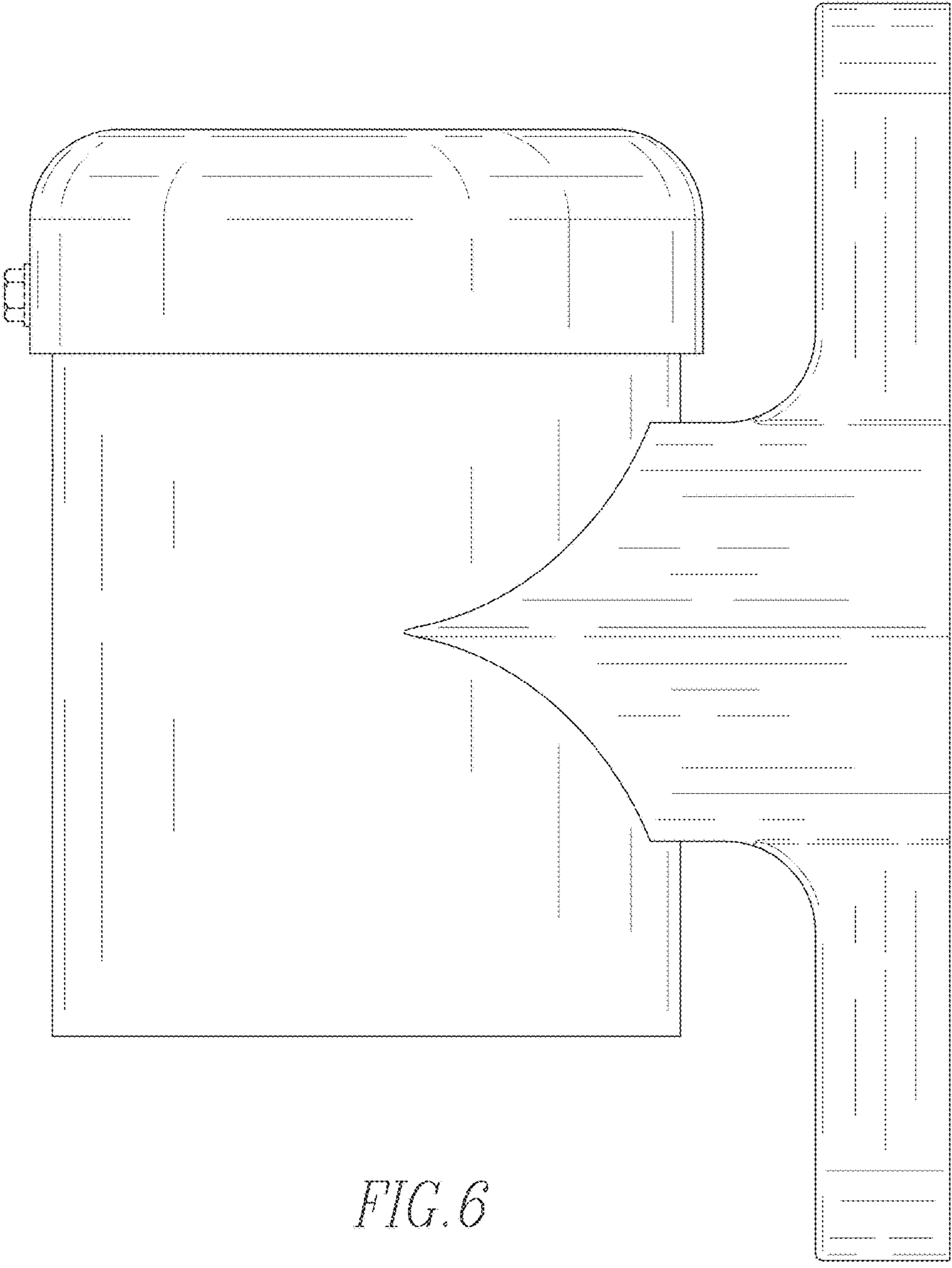


FIG. 6

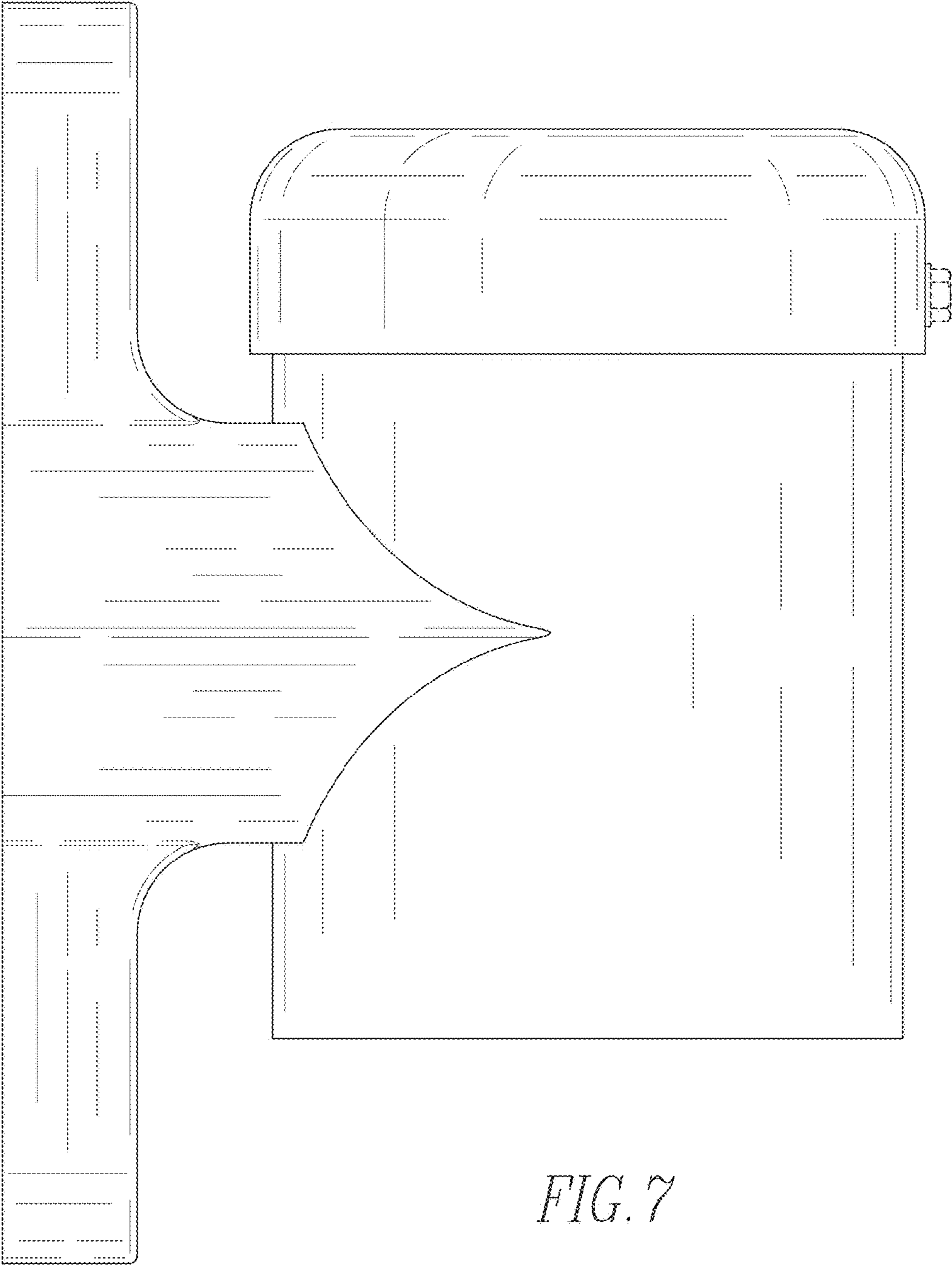
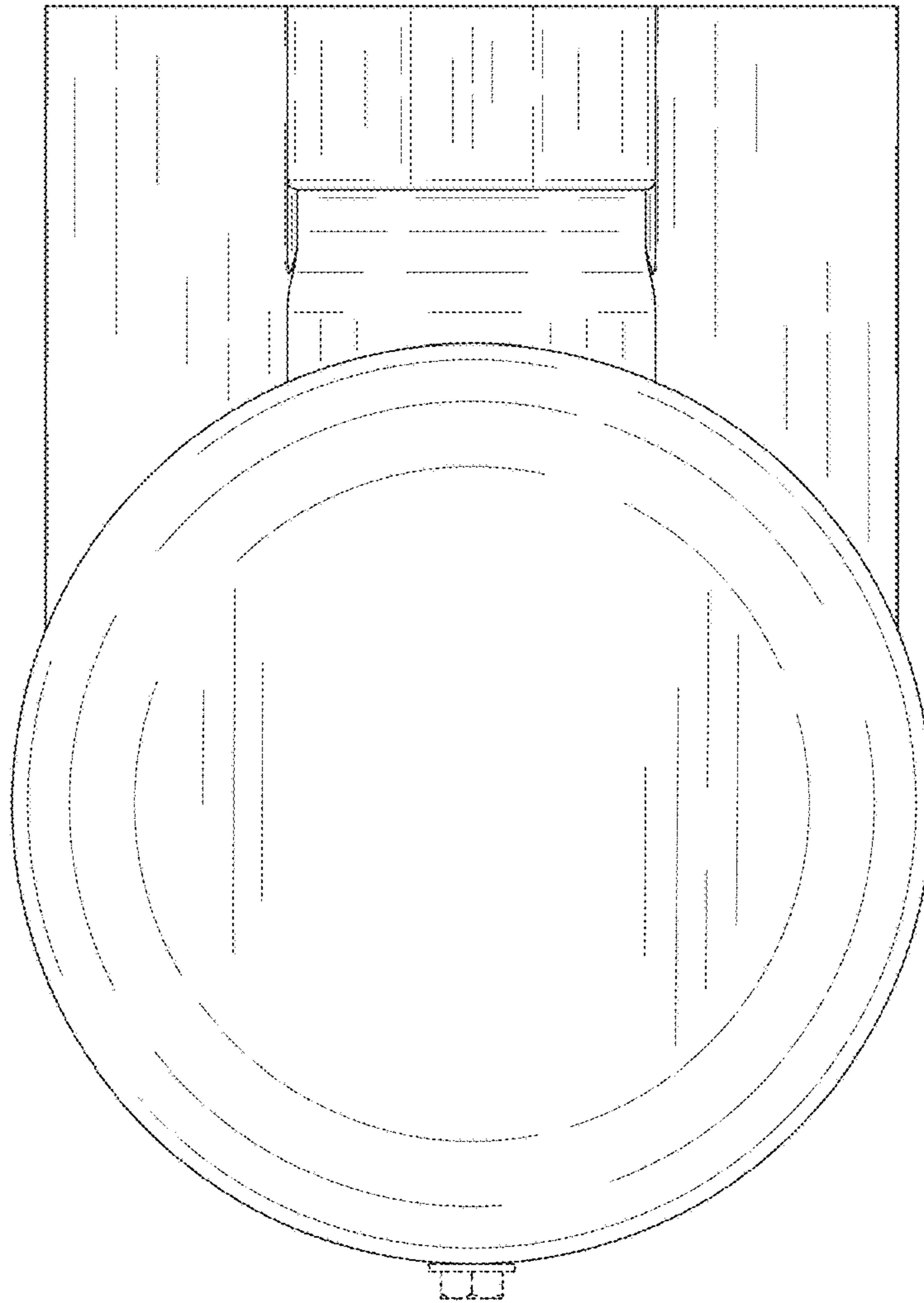


FIG. 7





*FIG. 8*

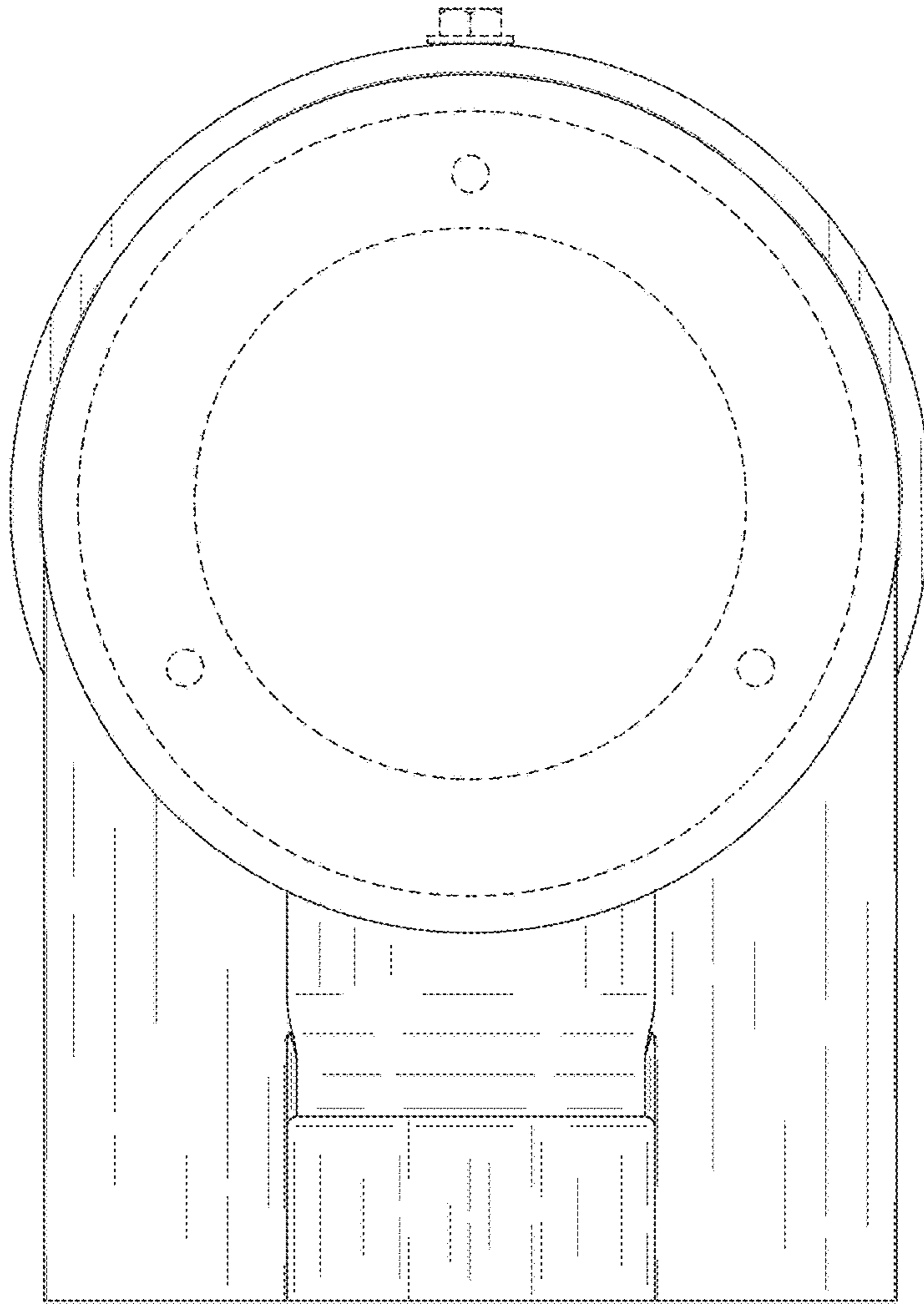


FIG. 9