



US00D850386S

(12) **United States Design Patent**
Otzelberger

(10) **Patent No.:** **US D850,386 S**

(45) **Date of Patent:** **** Jun. 4, 2019**

(54) **CABLE BOX**

(71) Applicant: **KMP PrintTechnik AG**, Eggenfelden (DE)

(72) Inventor: **Stefan Otzelberger**, Eggenfelden (DE)

(73) Assignee: **KMP PRINTTECHNIK AG** (DE)

(**) Term: **15 Years**

(21) Appl. No.: **29/582,403**

(22) Filed: **Oct. 27, 2016**

(30) **Foreign Application Priority Data**

Apr. 28, 2016 (EM) 003099423-0001

(51) **LOC (11) Cl.** **13-03**

(52) **U.S. Cl.**
USPC **D13/152**

(58) **Field of Classification Search**
USPC D14/432, 433, 435.1; D13/103, 108,
D13/109, 110, 133, 137.1-137.4,
D13/138.1-138.2, 139.1-139.8, 146, 147,
D13/151, 152-156, 173, 177, 162, 158,
D13/184, 107, 139.4, 122, 124; D8/350,
D8/353-356, 358

CPC H01R 25/00; H01R 25/006; H01R 25/003;
H01R 13/5845; H01R 13/72; H01R
13/46; H01R 31/06; H01R 24/28; H01B
7/2806; A47B 2097/003

See application file for complete search history.

(56) **References Cited**

U.S. PATENT DOCUMENTS

D342,235 S	*	12/1993	Shotey	D13/156
D374,673 S	*	10/1996	Beaumont	D13/184
D402,275 S	*	12/1998	Korhonen	D13/184
D468,701 S	*	1/2003	Byrne	D13/156
D651,987 S	*	1/2012	Wu	D13/162
D675,579 S	*	2/2013	Rucker	D13/156
D686,992 S	*	7/2013	Eisen	D13/133

(Continued)

OTHER PUBLICATIONS

Shop.kmp-lifestyle.com: Charging station Protective Box. No publish date. Retrieved from the internet at <https://shop.kmp-lifestyle.com/protective-box?_store=en&_from_store=de>, Mar. 19, 2018. 1 page. (Year: 2018).*

Primary Examiner — Rosemary K Tarcza

Assistant Examiner — Christy M Nemeth

(74) *Attorney, Agent, or Firm* — Gerald E. Hespos;

Michael J. Porco; Matthew T. Hespos

(57) **CLAIM**

The ornamental design for a cable box, as shown and described.

DESCRIPTION

FIG. 1 is a top plan view of a cable box in accordance with my design, with a top cover in a closed position;

FIG. 2 is a front elevational view of the cable box, with the top cover in an open position;

FIG. 3 is a right side elevational view of the cable box with the top cover thereof in an open position, and with the left side elevational view being a mirror image thereof;

FIG. 4 is a top plan view of the cable box with the top cover in an open position;

FIG. 5 is an exploded front-right perspective view of the cable box thereof;

FIG. 6 is a front elevational view of the cable box, with the top cover in a closed position, the rear elevational view being a mirror image thereof; and,

FIG. 7 is a right side elevational view of the cable box with the top cover in a closed position, the left side elevational view being a mirror image thereof.

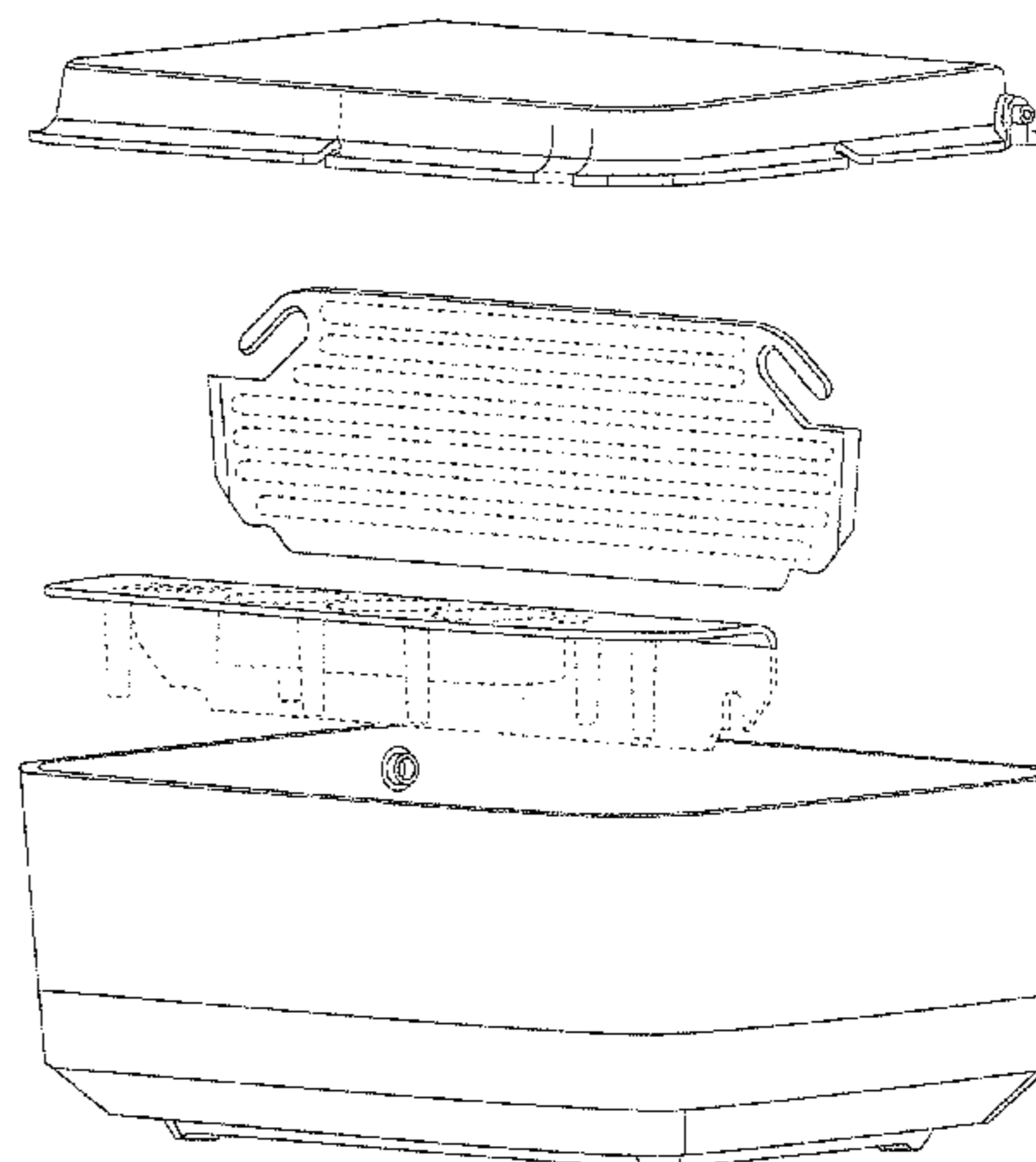
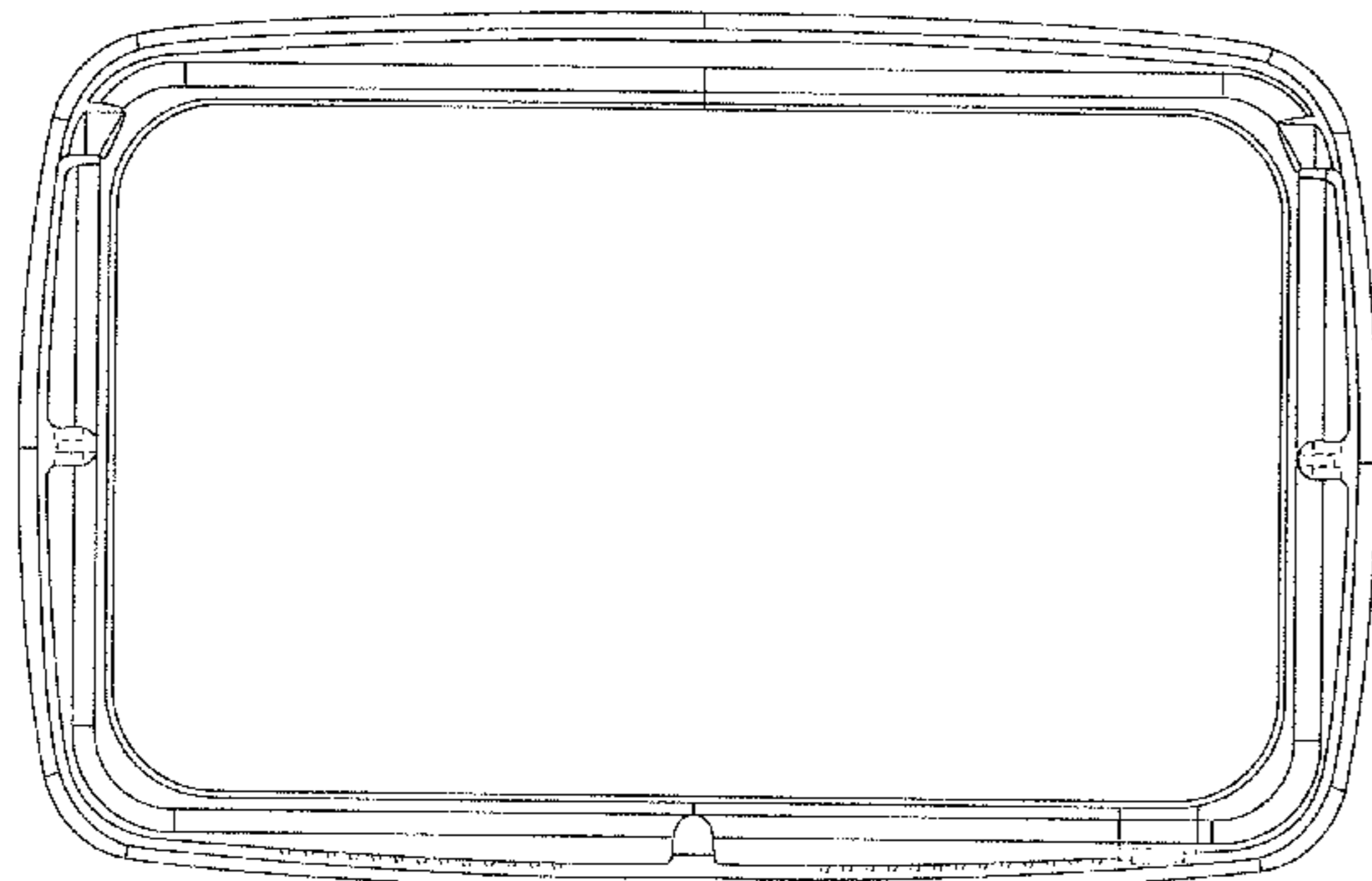
The broken lines in the drawings are for the purpose of illustrating portions of the cable box that form no part of the claimed design.

The broken lines in the drawings are for the purpose of illustrating portions of the cable box that form no part of the claimed design.

The broken lines in the drawings are for the purpose of illustrating portions of the cable box that form no part of the claimed design.

The broken lines in the drawings are for the purpose of illustrating portions of the cable box that form no part of the claimed design.

1 Claim, 7 Drawing Sheets



(56)

References Cited

U.S. PATENT DOCUMENTS

D731,979 S *	6/2015	Edwards	D13/146
D733,065 S *	6/2015	Porter	D13/152
D734,729 S *	7/2015	Chaloupecky	D10/49
D773,399 S *	12/2016	Geiger	D13/103
D780,605 S *	3/2017	Chen	D10/49
D782,287 S *	3/2017	Chen	D8/356
D785,572 S *	5/2017	Abraham	D13/152
D795,044 S *	8/2017	McNutt	D13/156
D803,667 S *	11/2017	Chen	D8/356
2005/0164545 A1 *	7/2005	Rosenthal	H01R 13/72 439/501

* cited by examiner

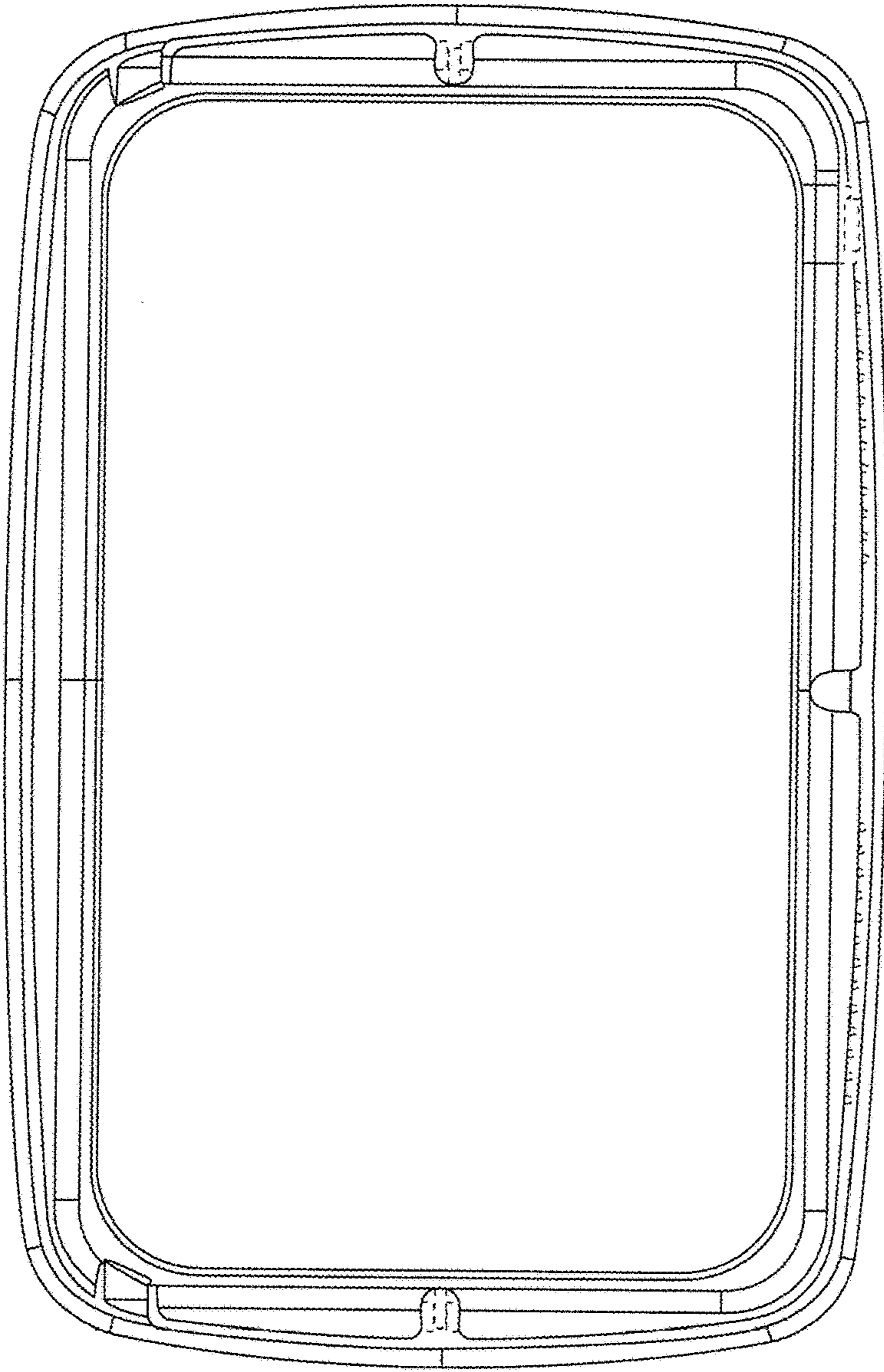


FIG. 1

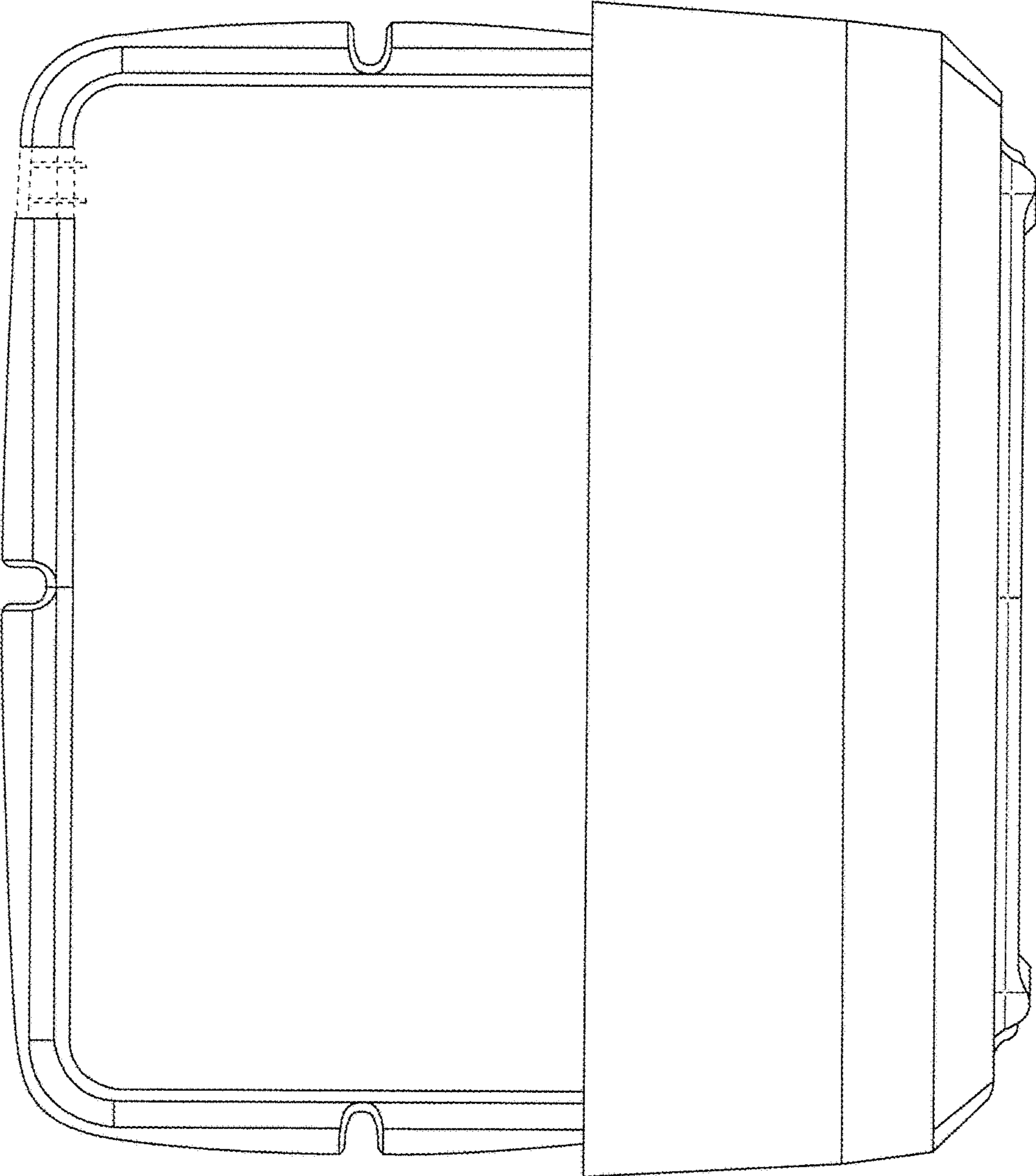


FIG. 2

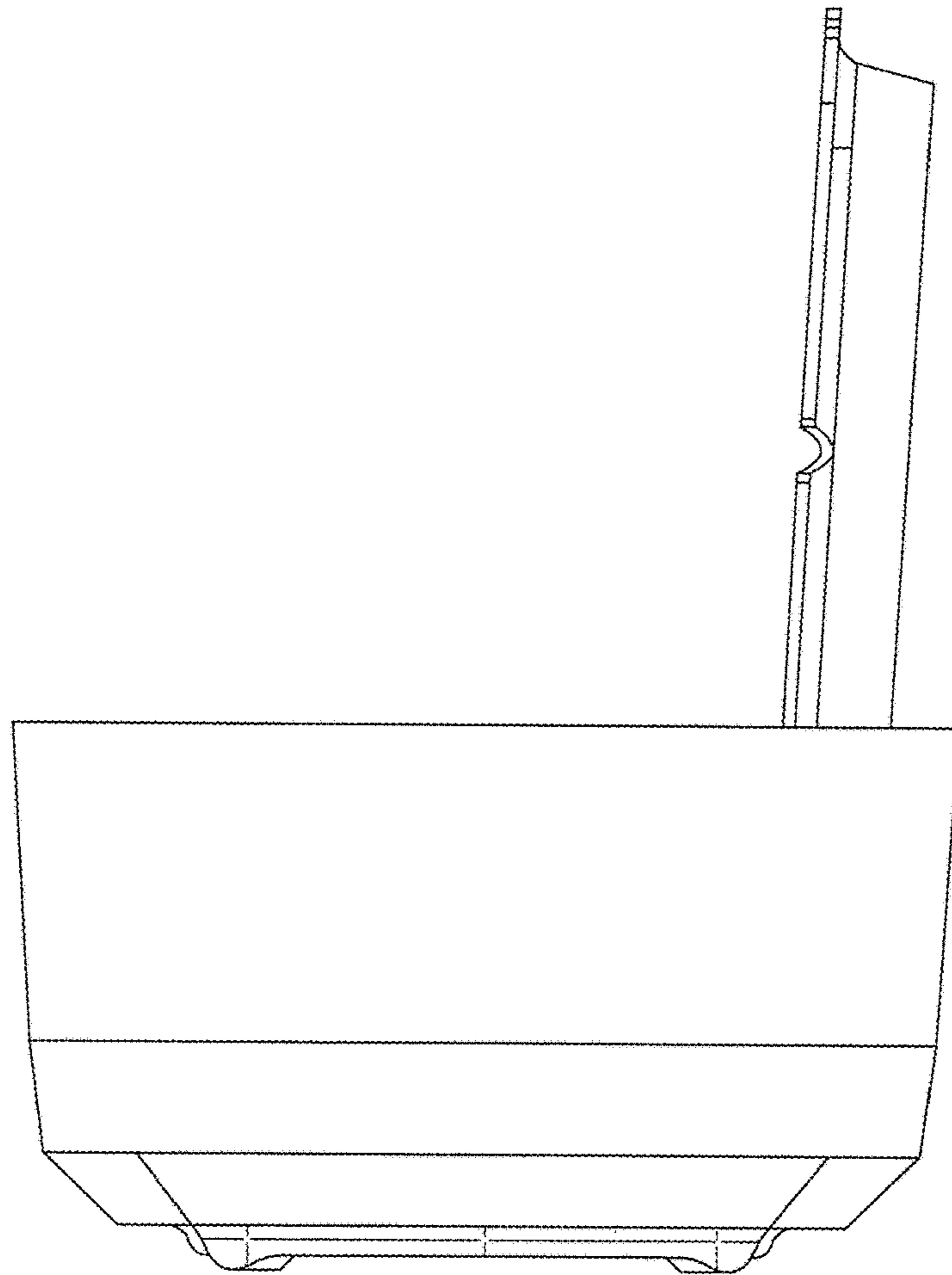


FIG. 3

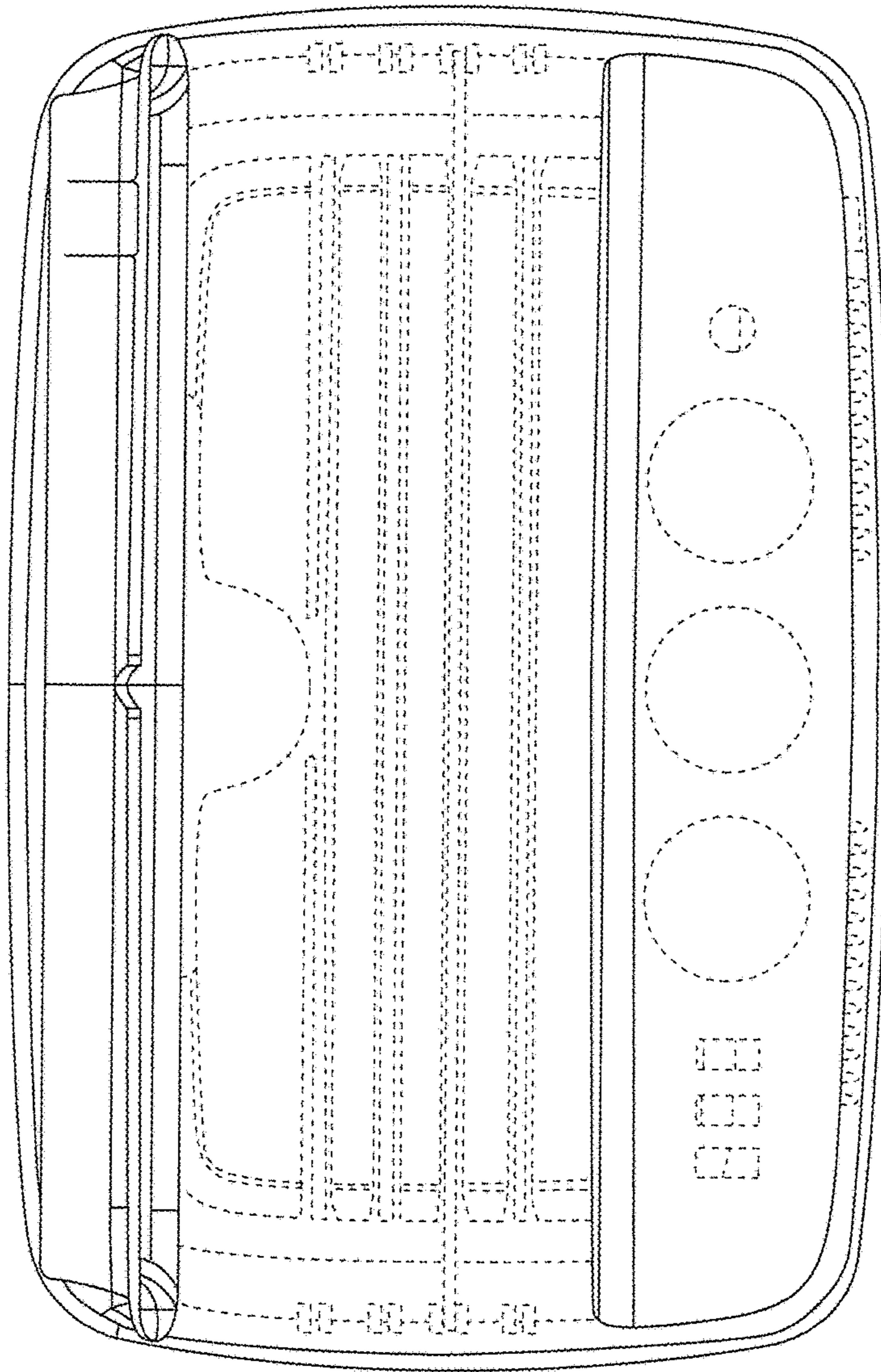


FIG. 4

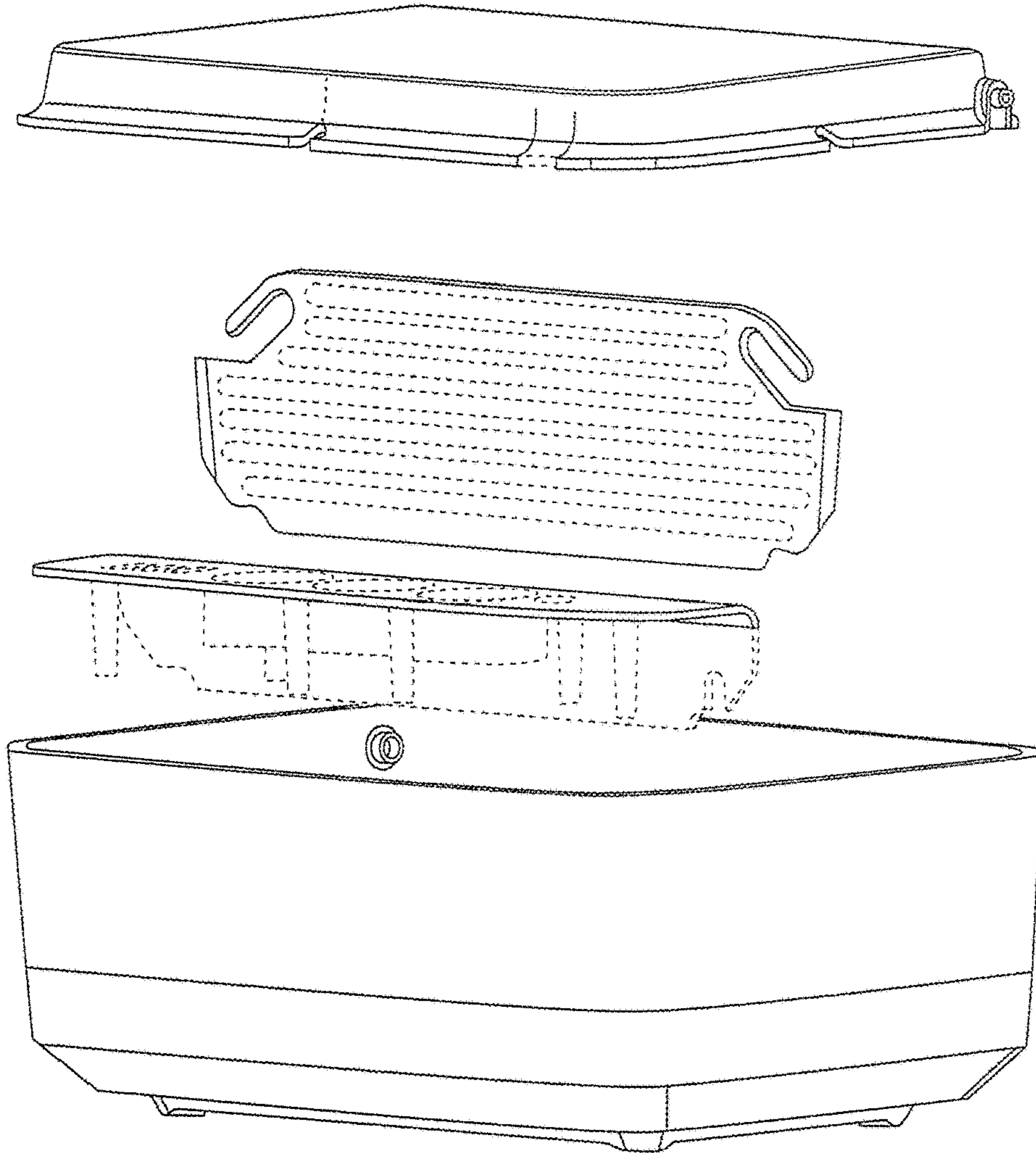


FIG. 5

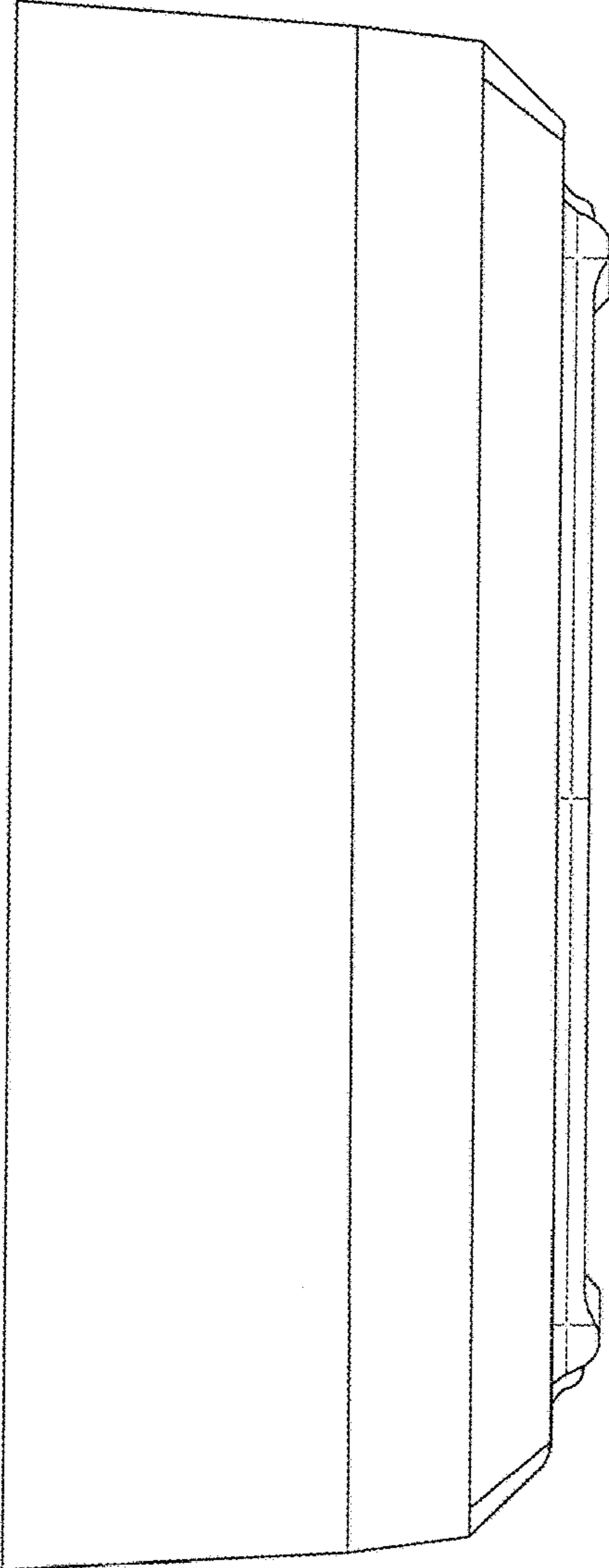


FIG. 6

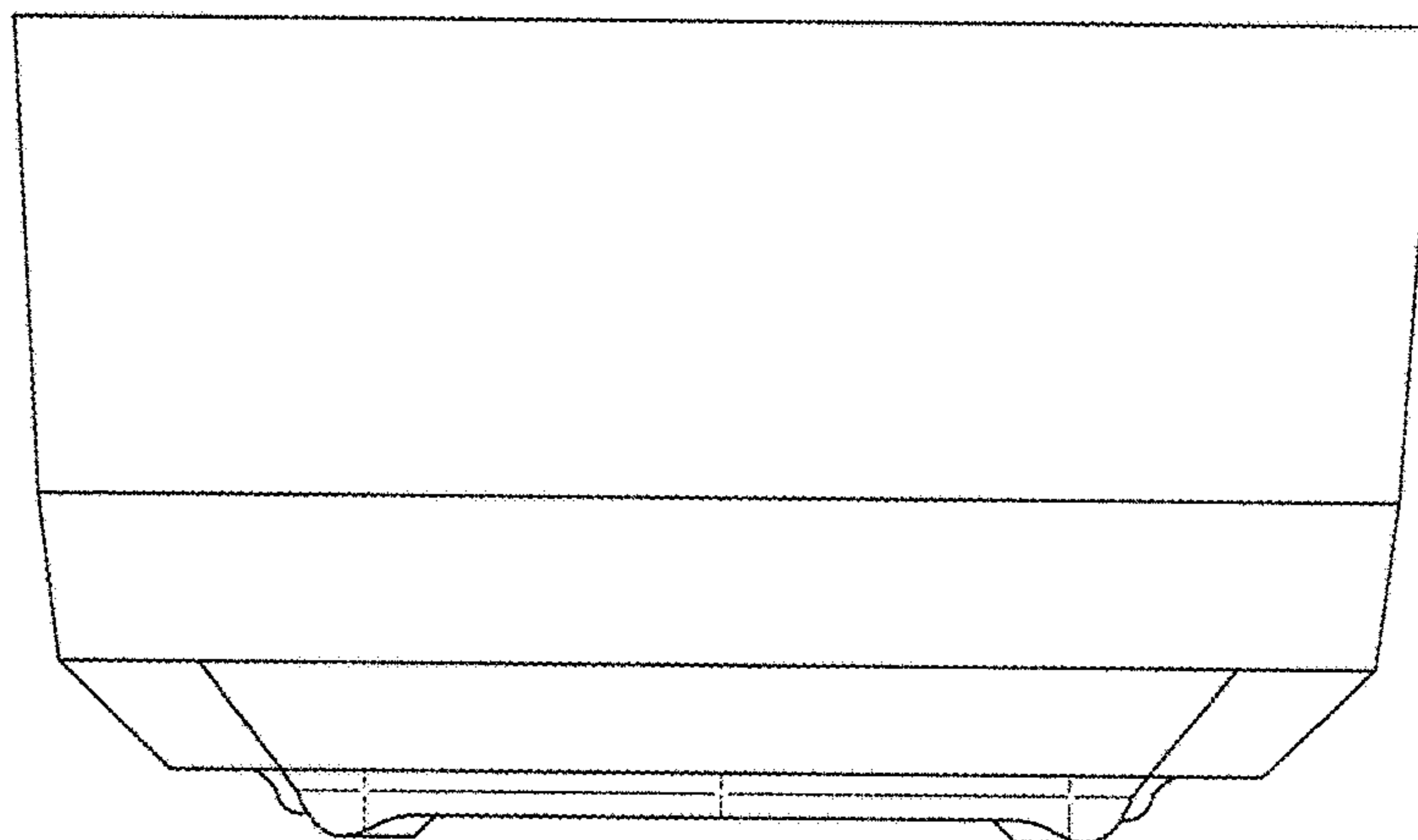


FIG. 7