

US00D850382S

(12) **United States Design Patent**
Hisada et al.

(10) **Patent No.:** **US D850,382 S**
(45) **Date of Patent:** **** Jun. 4, 2019**

(54) **ELECTRIC CONNECTOR**

(71) Applicant: **SMK Corporation**, Tokyo (JP)

(72) Inventors: **Koji Hisada**, Tokyo (JP); **Yasuo Yoshiura**, Kanagawa (JP)

(73) Assignee: **SMK Corporation**, Tokyo (JP)

(**) Term: **15 Years**

(21) Appl. No.: **29/637,421**

(22) Filed: **Feb. 19, 2018**

(30) **Foreign Application Priority Data**

Dec. 1, 2017 (JP) 2017-026847

(51) **LOC (11) Cl.** **13-03**

(52) **U.S. Cl.**
USPC **D13/133**

(58) **Field of Classification Search**
USPC D13/118, 123, 133, 146, 147, 149, 154,
D13/156, 173, 184, 199
CPC ... H01R 9/00; H01R 9/05; H01R 4/24; H01R
4/50; H01R 12/00; H01R 13/00; H01R
13/436; H01R 13/44; H01R 13/58; H01R
13/62; H01R 13/627; H01R 13/629;
H01R 13/64; H01R 13/648; H01R
13/658; H01R 13/74; H01R 24/00
See application file for complete search history.

(56) **References Cited**

U.S. PATENT DOCUMENTS

D323,151 S * 1/1992 Nagasaka D13/147
D378,209 S * 2/1997 Morikawa D13/133

D491,889 S * 6/2004 Naganawa D13/133
D558,677 S * 1/2008 Ashida D13/133
D649,512 S * 11/2011 Shimoji D13/133
D774,457 S * 12/2016 Urano D13/133
10,116,090 B2 * 10/2018 Iwamoto H01R 13/5025
2004/0147166 A1 * 7/2004 Lai H01R 9/032
439/607.51
2012/0184143 A1 * 7/2012 Lai H01R 13/501
439/625
2018/0287295 A1 * 10/2018 Yao H01R 13/6272

* cited by examiner

Primary Examiner — Angela J Lee
Assistant Examiner — Shawn T Gingrich

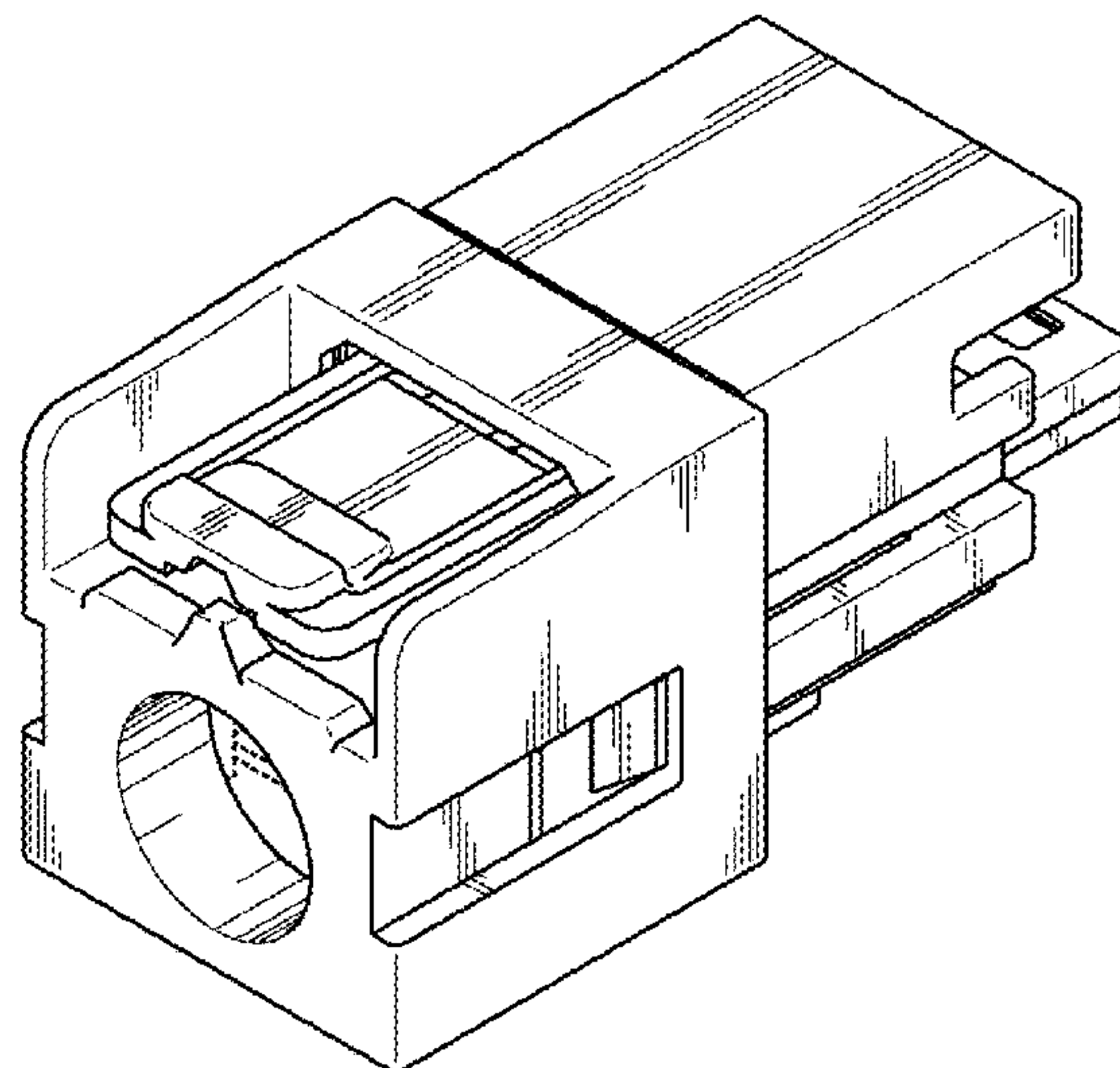
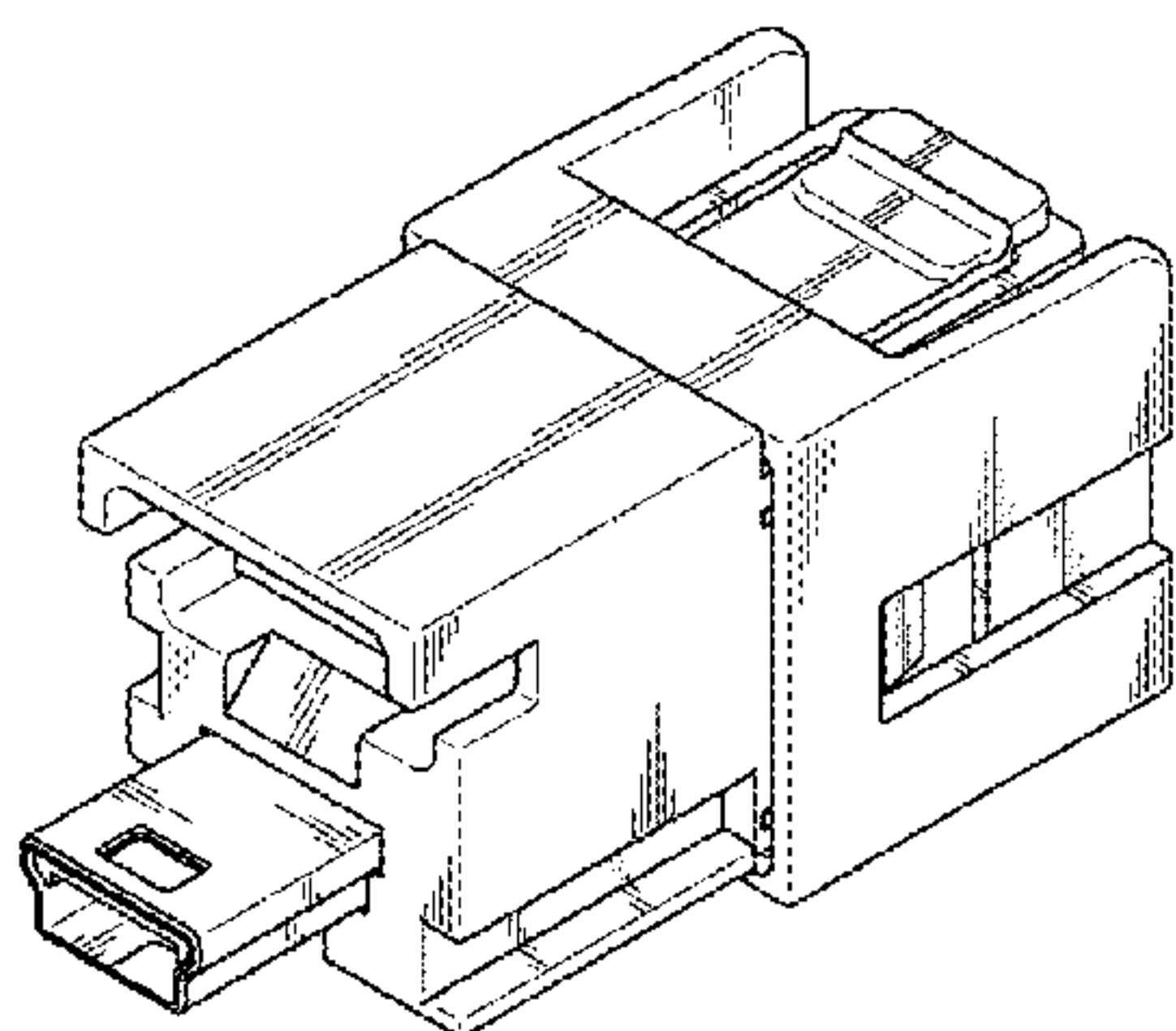
(57) **CLAIM**

The ornamental design for an electric connector, as shown and described.

DESCRIPTION

FIG. 1 is a front elevation view of an electric connector, showing our new design;
FIG. 2 is a top plan view thereof;
FIG. 3 is a bottom plan view thereof;
FIG. 4 is a 1st side view thereof;
FIG. 5 is a 2nd side view thereof;
FIG. 6 is a rear elevation view thereof;
FIG. 7 is a 1st perspective view thereof;
FIG. 8 is a 2nd perspective view thereof;
FIG. 9 is a 3rd perspective view thereof; and,
FIG. 10 is a 4th perspective view thereof.
The broken lines in the figures depict internal subject matter only, and form no part of the claimed design.
The shading in the figures shows contour and not surface ornamentation.

1 Claim, 10 Drawing Sheets



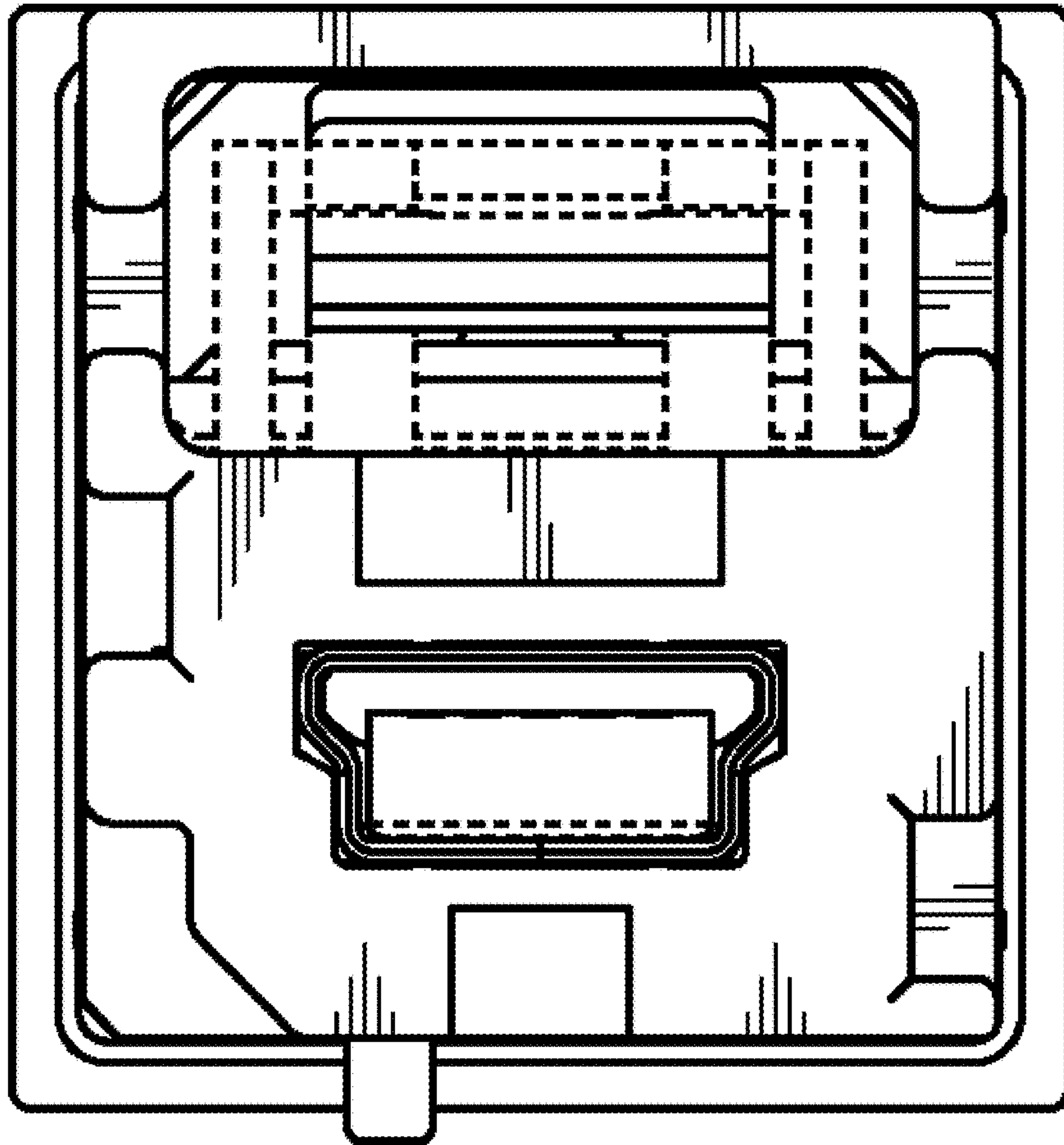


Fig.1

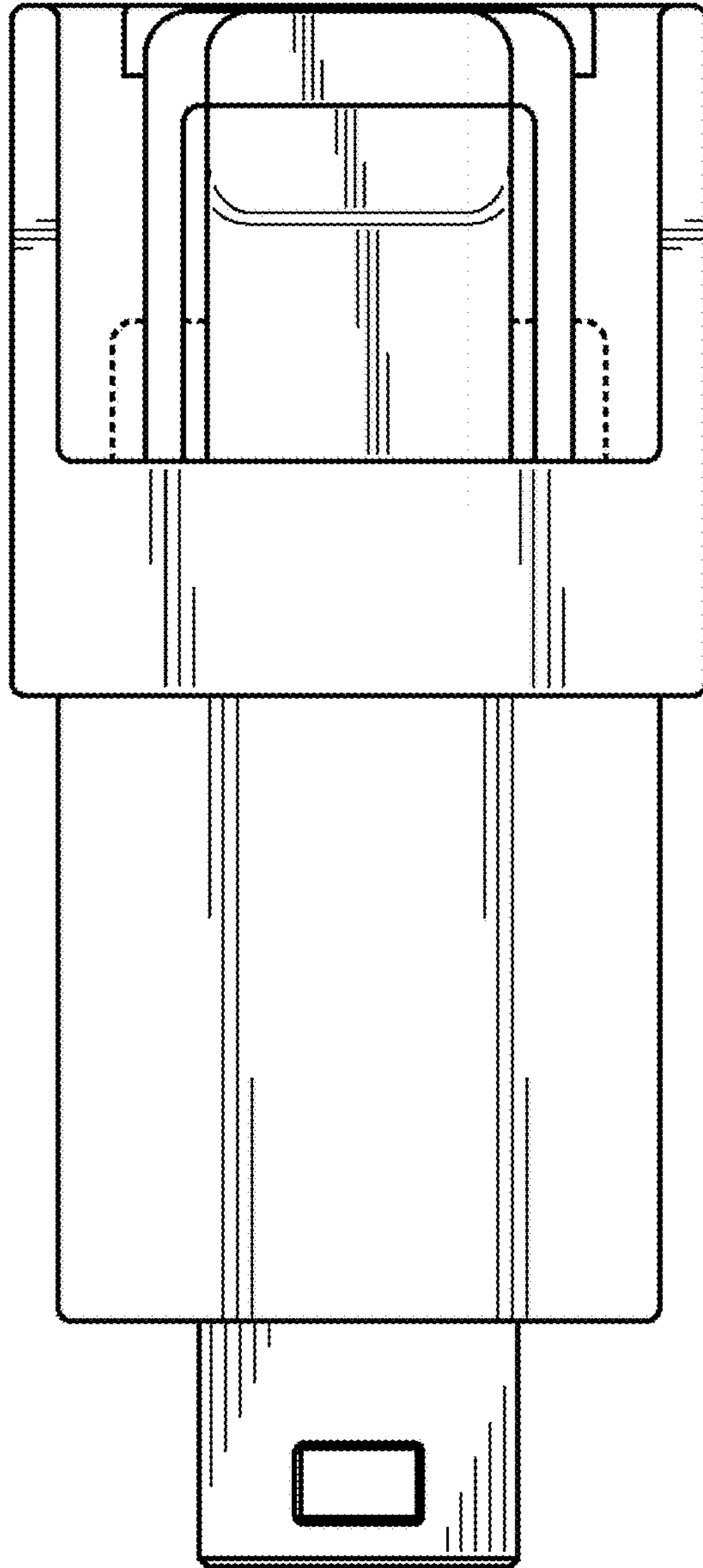


Fig.2

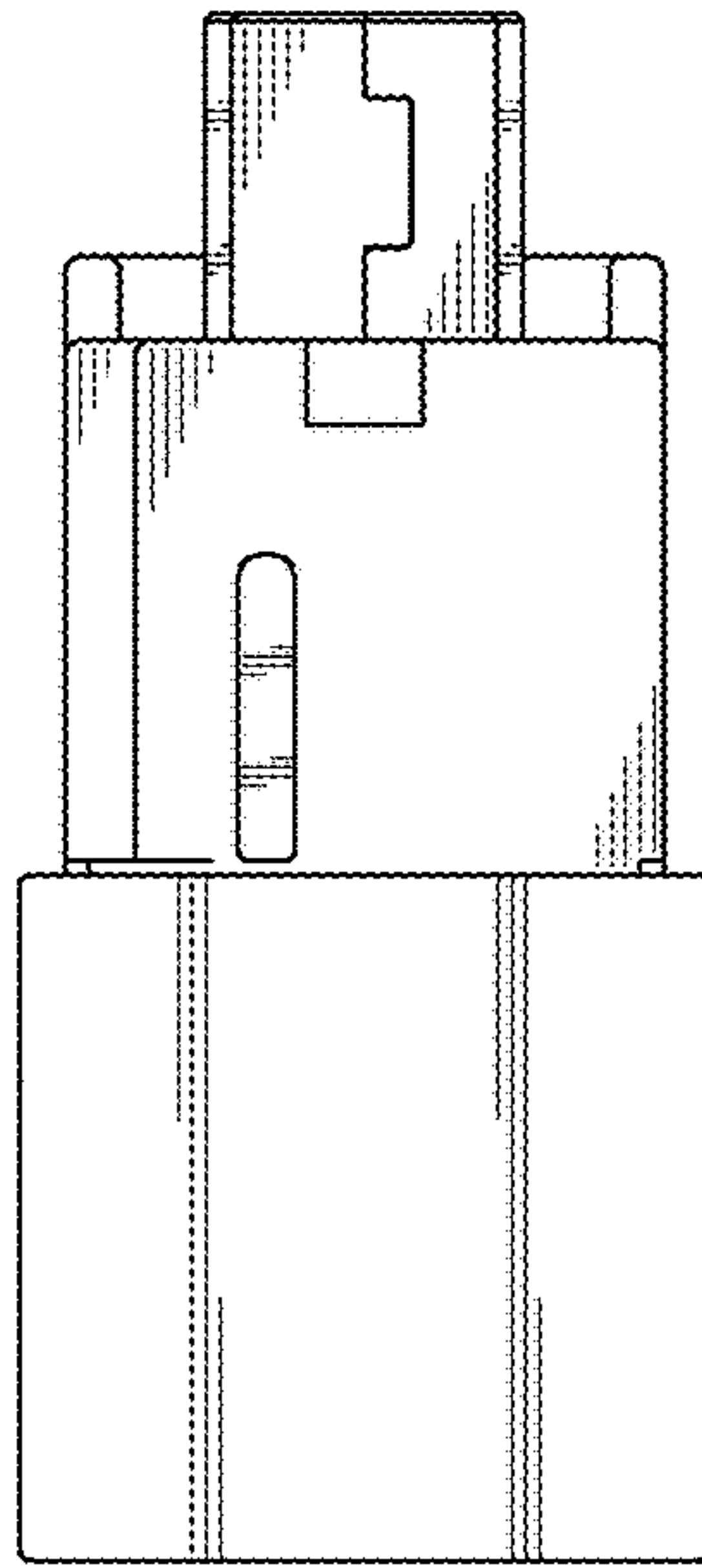


Fig.3

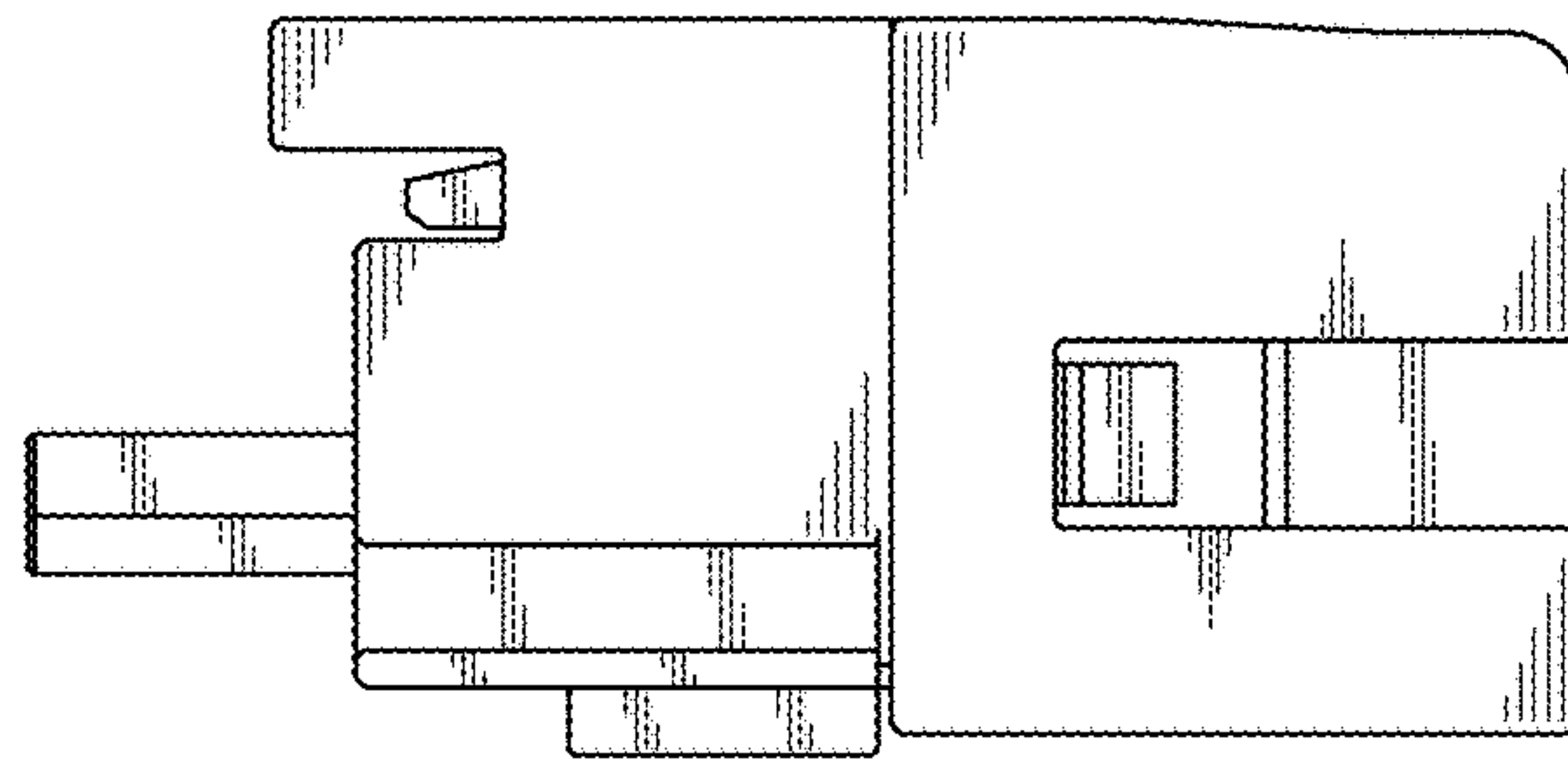


Fig.4

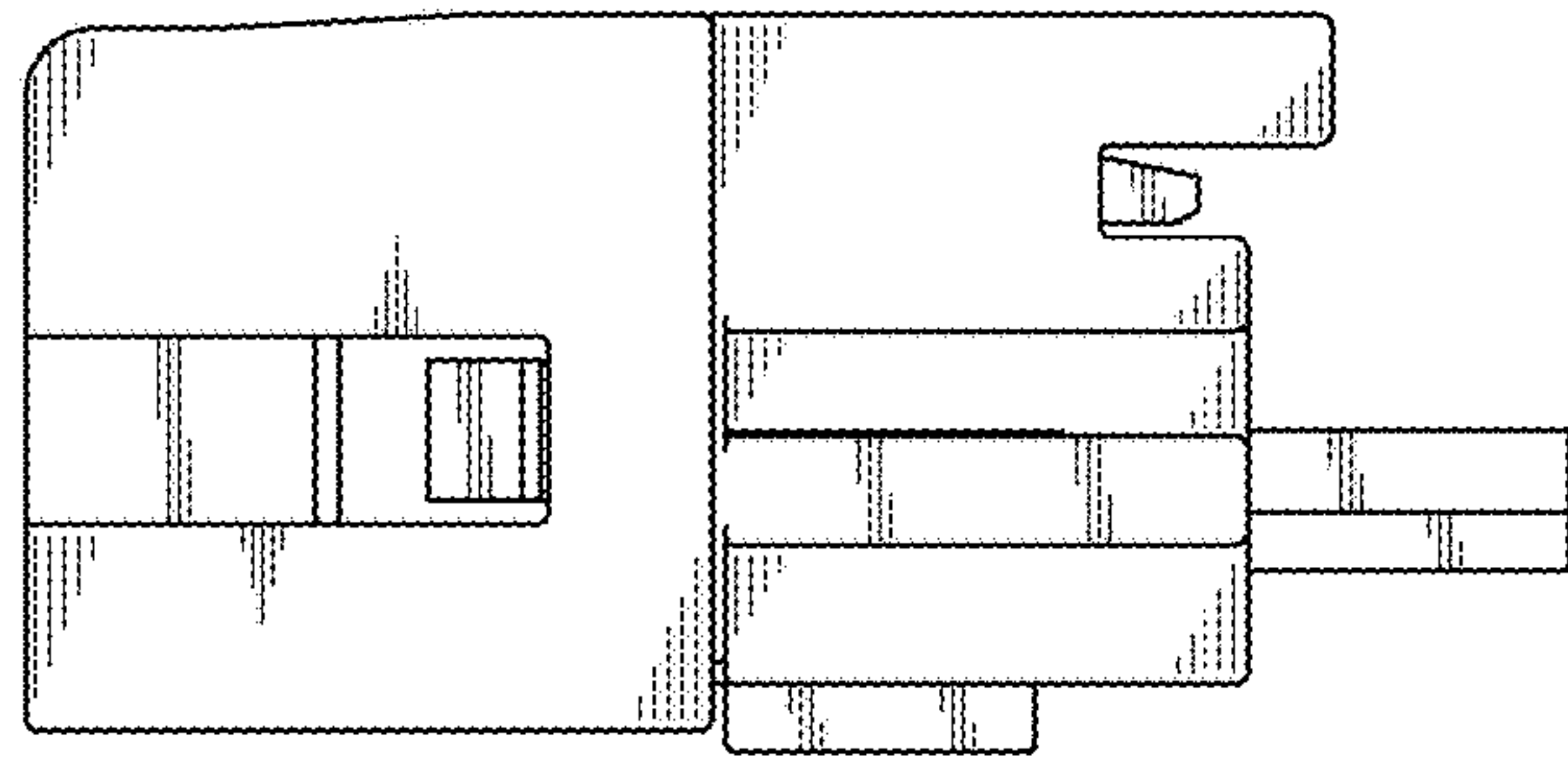


Fig.5

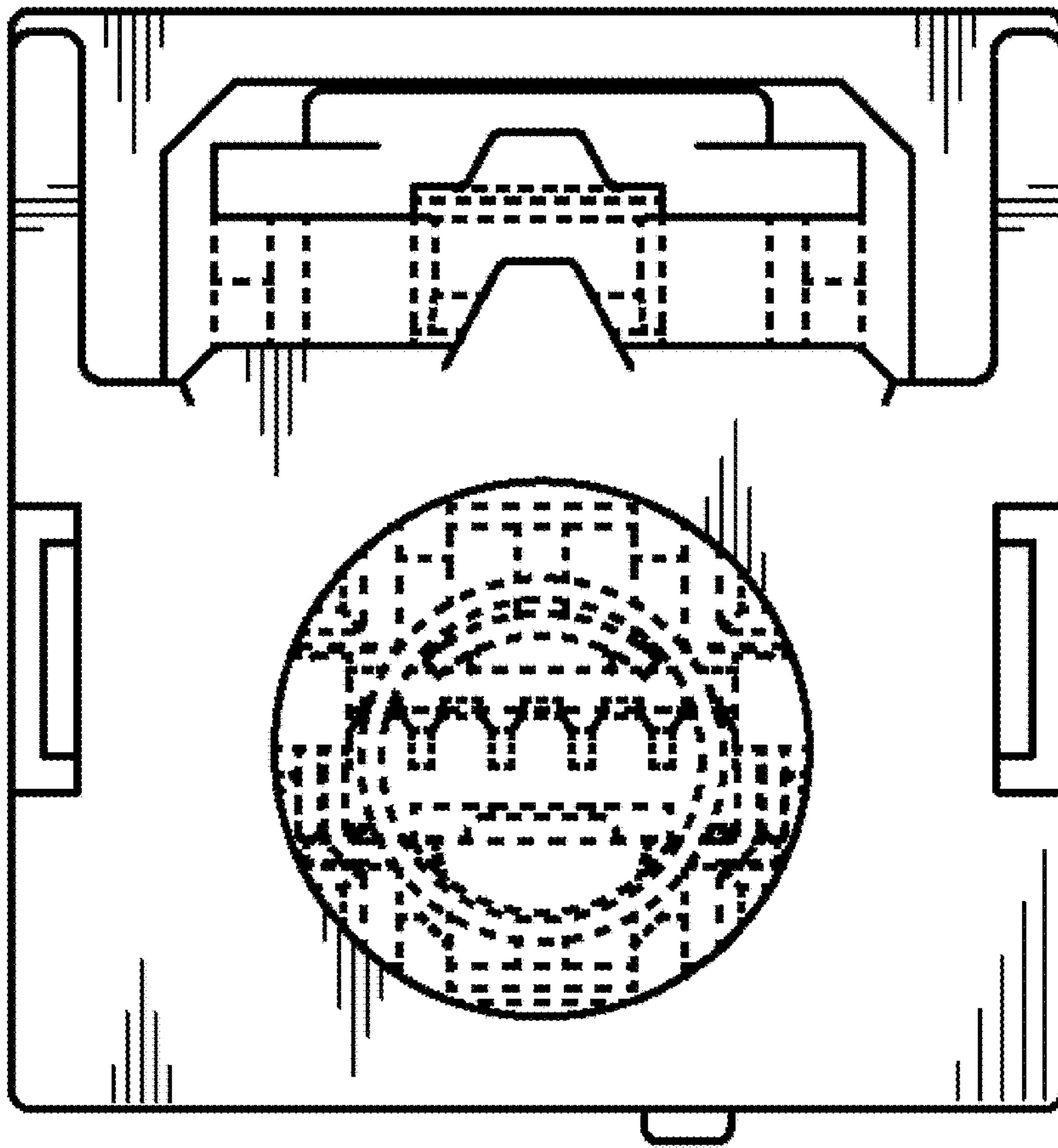


Fig.6

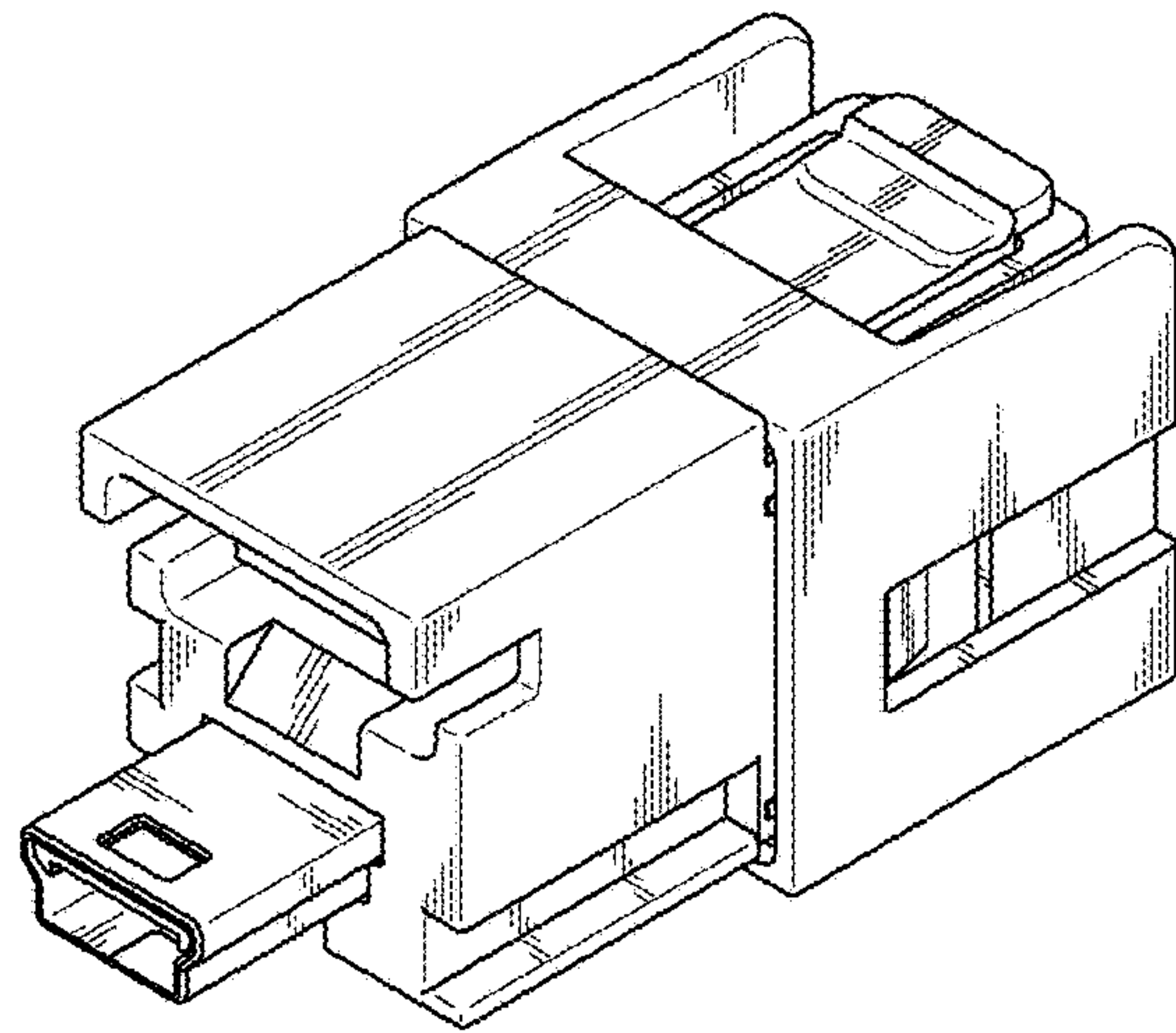


Fig.7

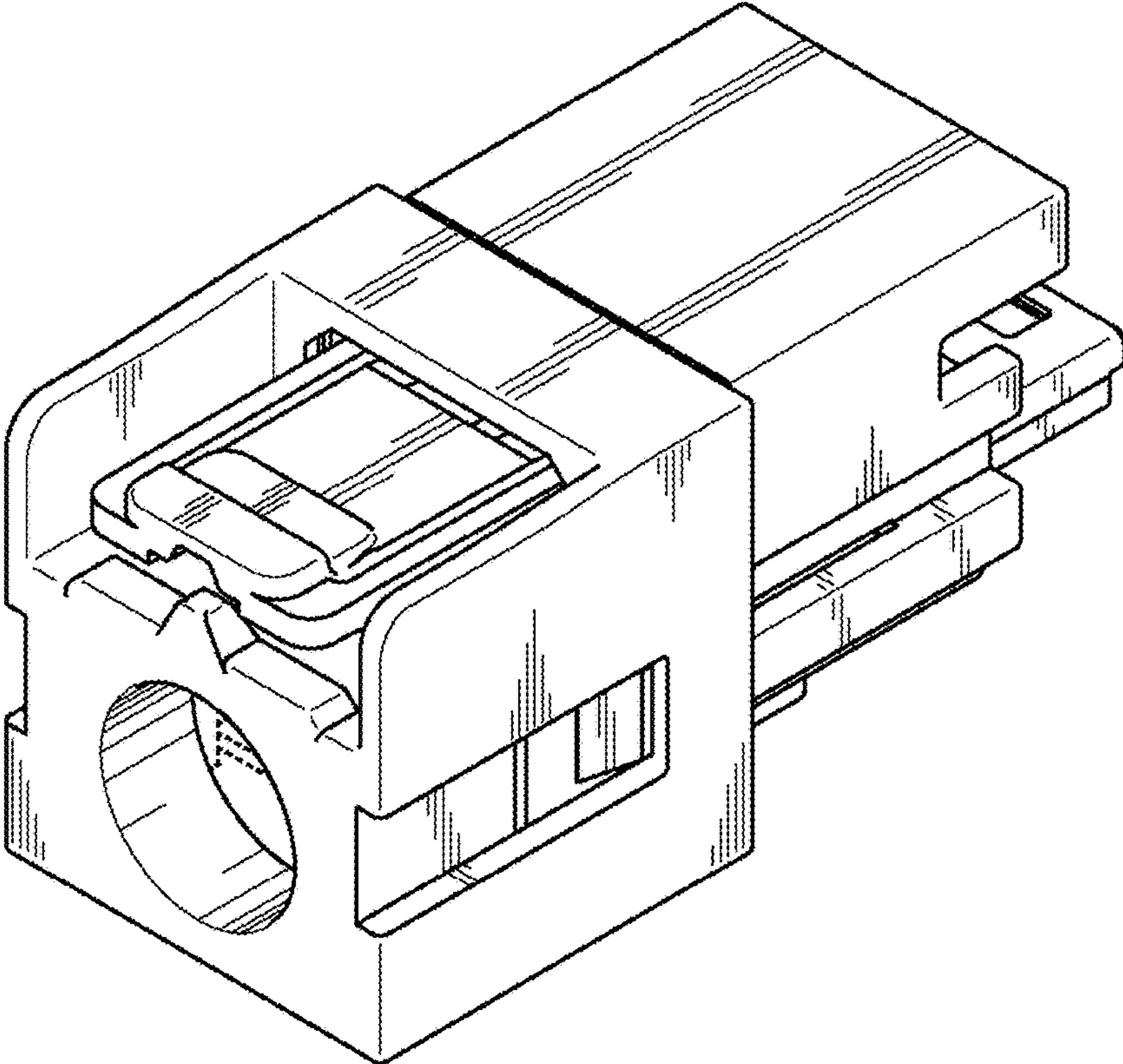


Fig.8

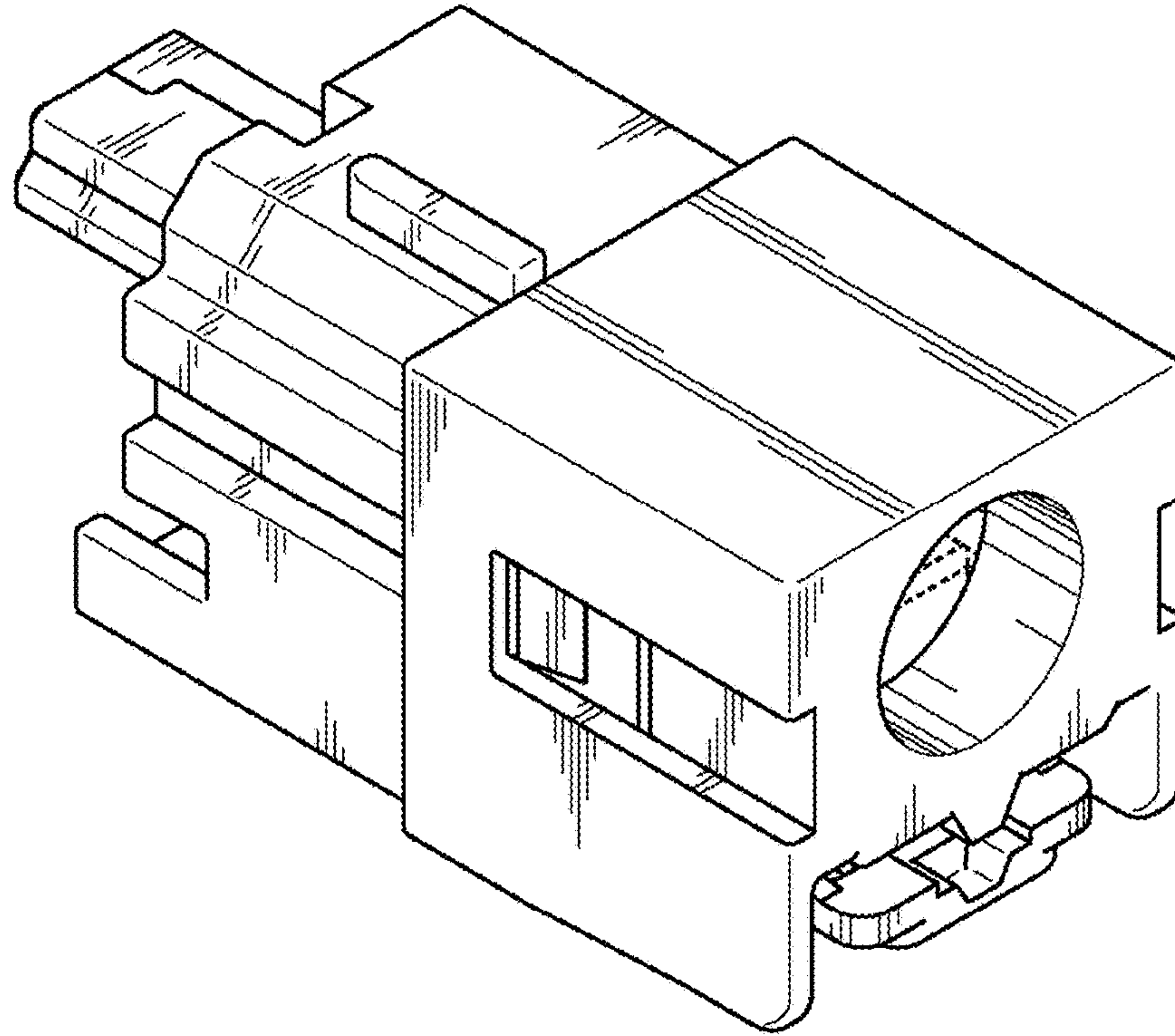


Fig.9

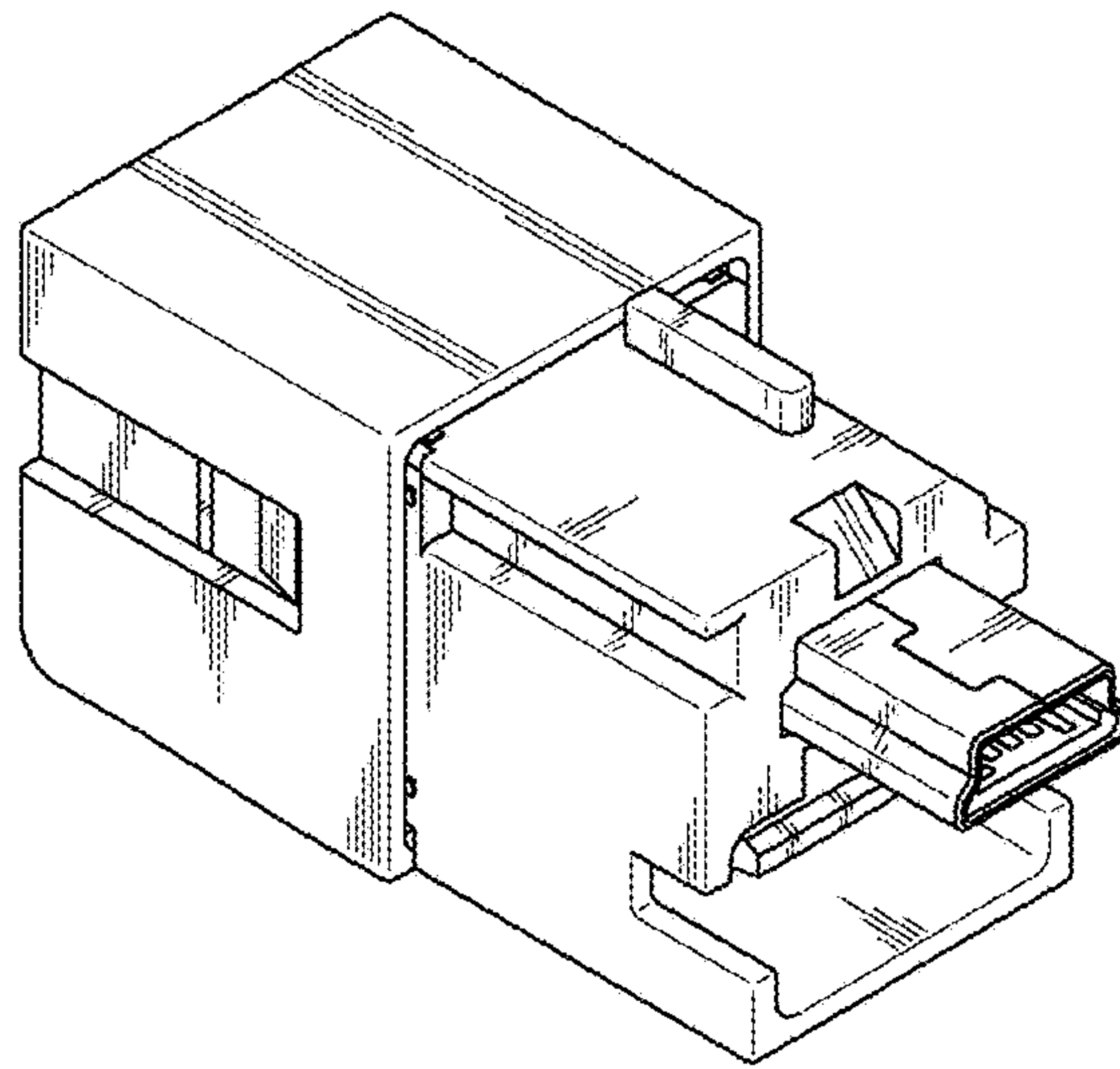


Fig.10