



US00D850370S

(12) **United States Design Patent** (10) **Patent No.:** **US D850,370 S**  
**Lee** (45) **Date of Patent:** **\*\* Jun. 4, 2019**

(54) **CHARGER FOR ELECTRONIC DEVICES**  
(71) Applicant: **SPIGEN KOREA CO., LTD.**, Seoul (KR)  
(72) Inventor: **Jong Hwa Lee**, Seoul (KR)  
(73) Assignee: **SPIGEN KOREA CO., LTD.**, Seoul (KR)  
(\*\*) Term: **15 Years**  
(21) Appl. No.: **29/635,384**  
(22) Filed: **Jan. 30, 2018**  
(51) **LOC (11) Cl.** ..... **13-02**  
(52) **U.S. Cl.**  
USPC ..... **D13/108**  
(58) **Field of Classification Search**  
USPC ..... D13/107-110, 118-119, 184; D14/251, D14/253, 432, 434  
CPC ..... Y02E 60/12; Y02T 90/14; Y02T 90/122; Y02T 90/128; Y02T 90/163; H02J 7/025; H02J 7/0042; H02J 7/0044; H02J 7/0045; H02J 7/0003; H01F 38/14; H01R 13/6675; H01M 2/1022; H01M 2/1055; H01M 10/44; H01M 10/46; H01M 10/425; B60L 11/182  
See application file for complete search history.

D718,236 S 11/2014 Murray  
D718,712 S 12/2014 Aumiller et al.  
D720,289 S \* 12/2014 Chiang ..... D13/108  
D727,260 S \* 4/2015 Aumiller ..... D13/108  
D735,131 S 7/2015 Akana et al.  
D737,762 S 9/2015 Aumiller et al.  
D738,823 S 9/2015 Chen  
D740,750 S 10/2015 Mayden et al.  
D741,256 S 10/2015 Murphy-Reinhertz et al.  
D746,772 S \* 1/2016 Aumiller ..... D13/108  
D747,267 S 1/2016 Aumiller et al.  
D749,044 S \* 2/2016 Huang ..... D13/108  
D751,538 S \* 3/2016 Koehler ..... D14/240  
D772,813 S 11/2016 Wahl  
D774,455 S 12/2016 Kim et al.

(Continued)

*Primary Examiner* — Rosemary K Tarcza  
*Assistant Examiner* — Nathaniel D. Buckner  
(74) *Attorney, Agent, or Firm* — Heedong Chae; Lucem, PC

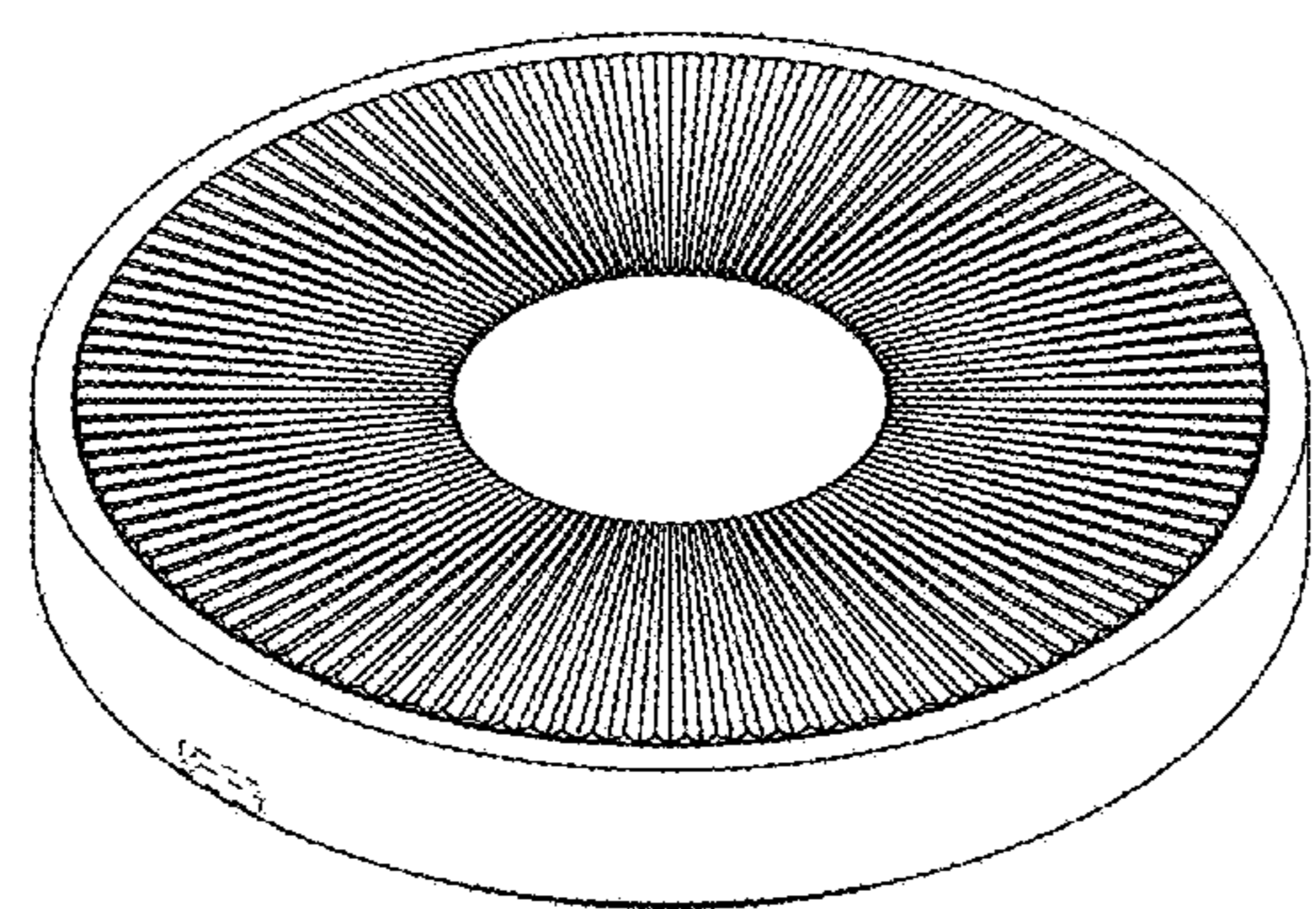
(57) **CLAIM**  
The ornamental design for a charger for electronic devices, as shown and described.

**DESCRIPTION**

FIG. 1 is a front perspective view of a charger for electronic devices showing my new design;  
FIG. 2 is a rear perspective view thereof;  
FIG. 3 is a front elevational view thereof;  
FIG. 4 is a rear elevational view thereof;  
FIG. 5 is a left side elevational view thereof;  
FIG. 6 is a right side elevational view thereof;  
FIG. 7 is a top plan view thereof;  
FIG. 8 is a bottom plan view thereof; and,  
FIG. 9 is a front perspective view of a charger shown in an environment of use.  
The broken lines in the figures depict environmental structure which forms no part of the claimed design.

**1 Claim, 9 Drawing Sheets**

(56) **References Cited**  
U.S. PATENT DOCUMENTS  
D527,704 S 9/2006 Rodarte  
D627,718 S 11/2010 Houghton  
D634,707 S 3/2011 Hosler et al.  
D645,818 S 9/2011 Guccione et al.  
D659,093 S 5/2012 Schmid et al.  
D694,182 S 11/2013 Lee et al.  
D700,571 S 3/2014 Guccione et al.  
D718,233 S \* 11/2014 Aumiller ..... D13/108  
D718,234 S 11/2014 Rautiainen



(56)

**References Cited**

U.S. PATENT DOCUMENTS

D777,100 S \* 1/2017 Price ..... D13/103  
D777,103 S 1/2017 Park  
D782,973 S 4/2017 Zhou  
D784,259 S 4/2017 Huang et al.  
D786,193 S 5/2017 Akana et al.  
D795,182 S 8/2017 Akana et al.  
D796,433 S \* 9/2017 Langhammer ..... D13/108  
D798,807 S 10/2017 Shi et al.  
D804,306 S \* 12/2017 Simons ..... D9/454  
D806,020 S 12/2017 Lu  
D810,015 S 2/2018 Carreon et al.  
D812,556 S 3/2018 Xu  
D817,268 S \* 5/2018 Symons ..... D13/108  
D824,384 S \* 7/2018 Magi ..... D14/356  
D825,549 S \* 8/2018 Lebovitz ..... D14/253  
D835,062 S \* 12/2018 Langhammer ..... D14/203.6

\* cited by examiner

FIG. 1

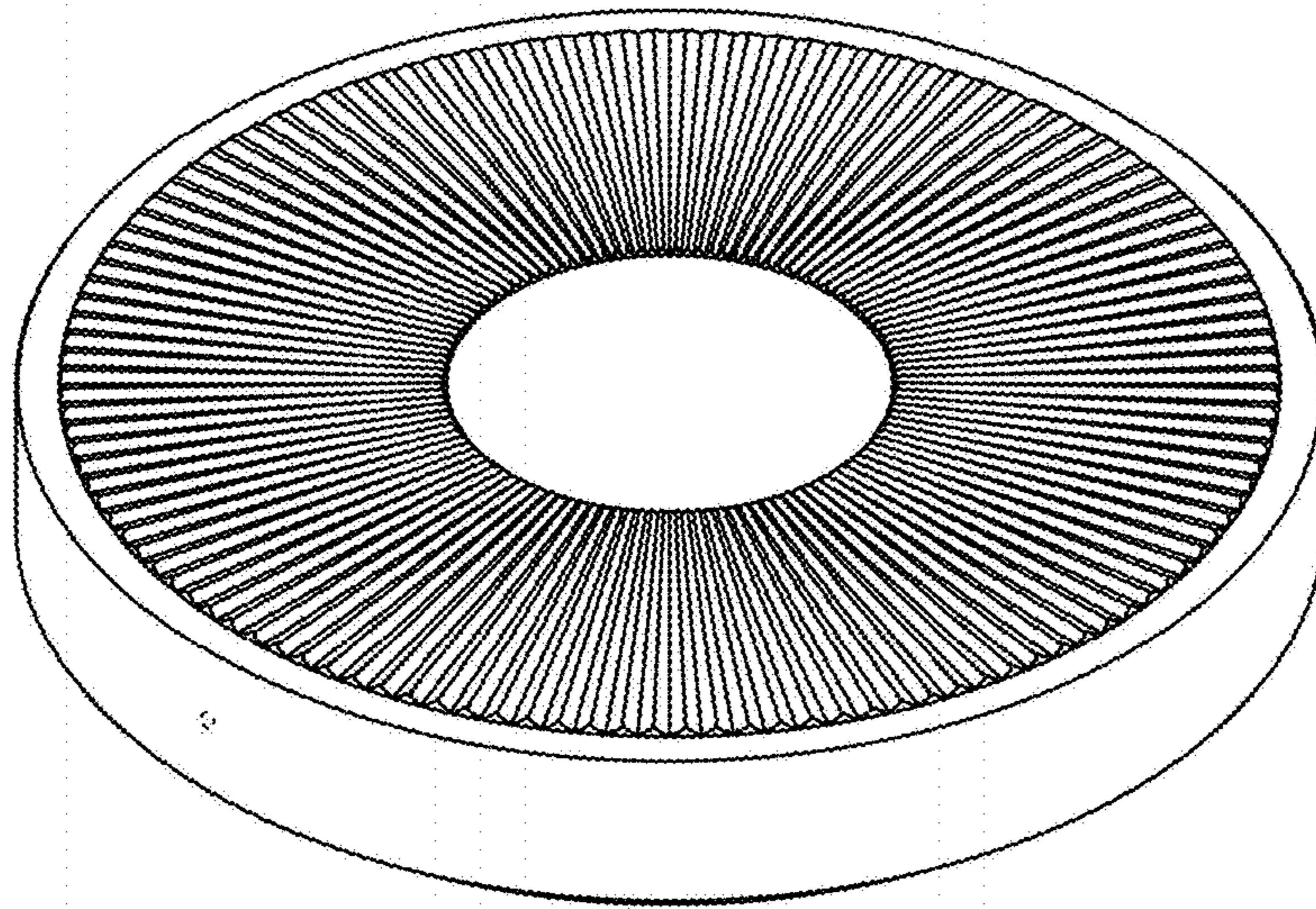


FIG. 2

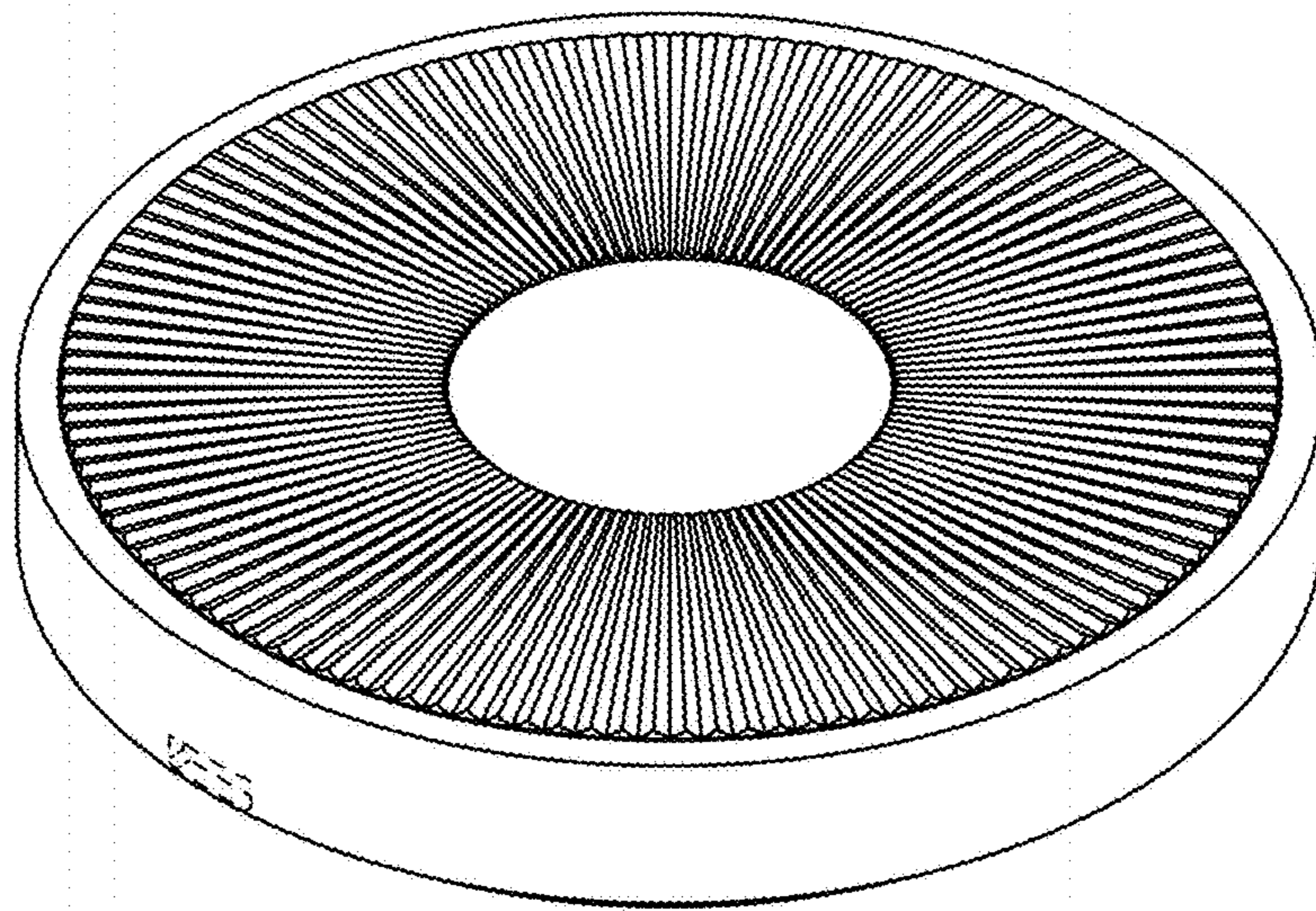


FIG. 3

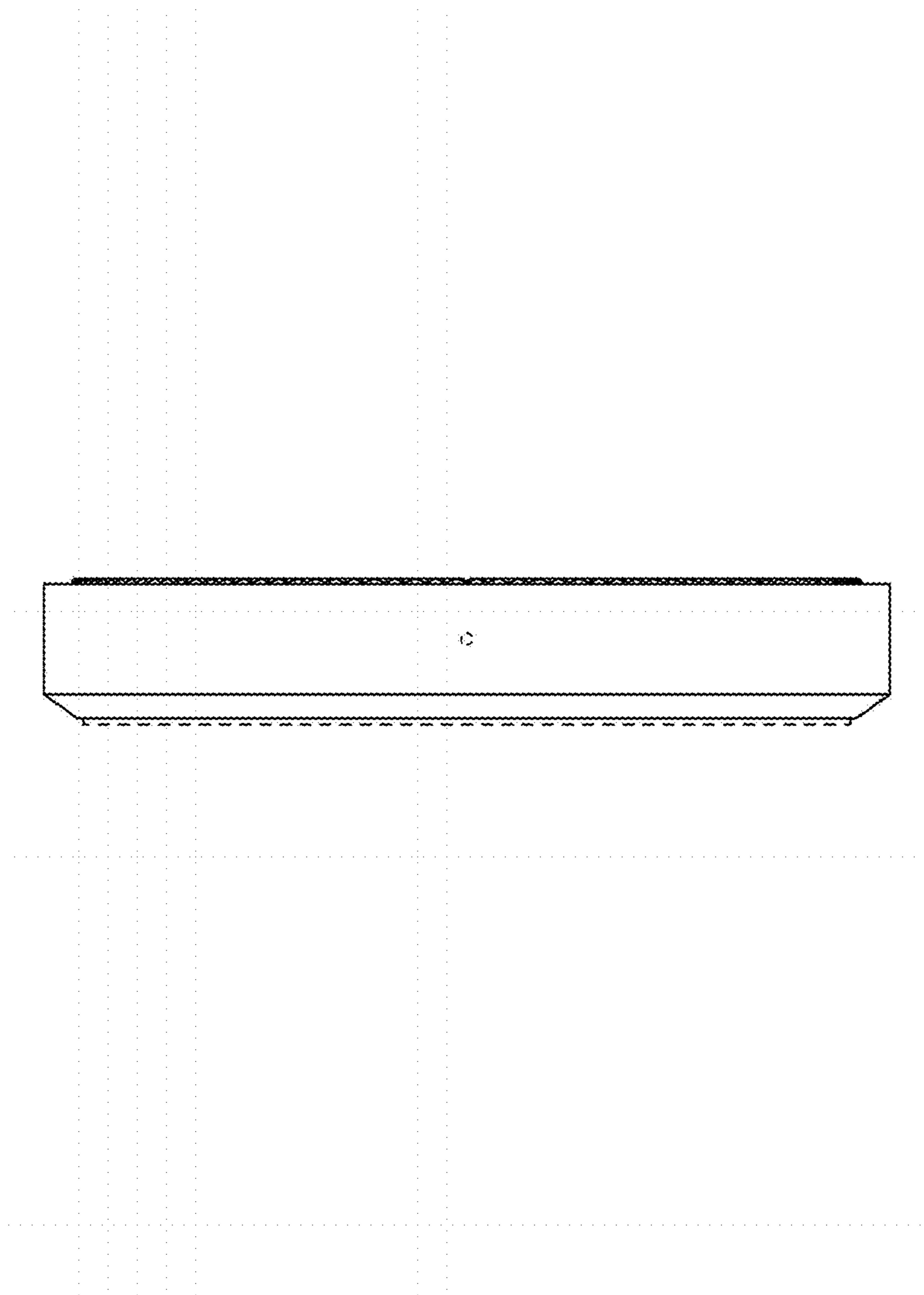


FIG. 4

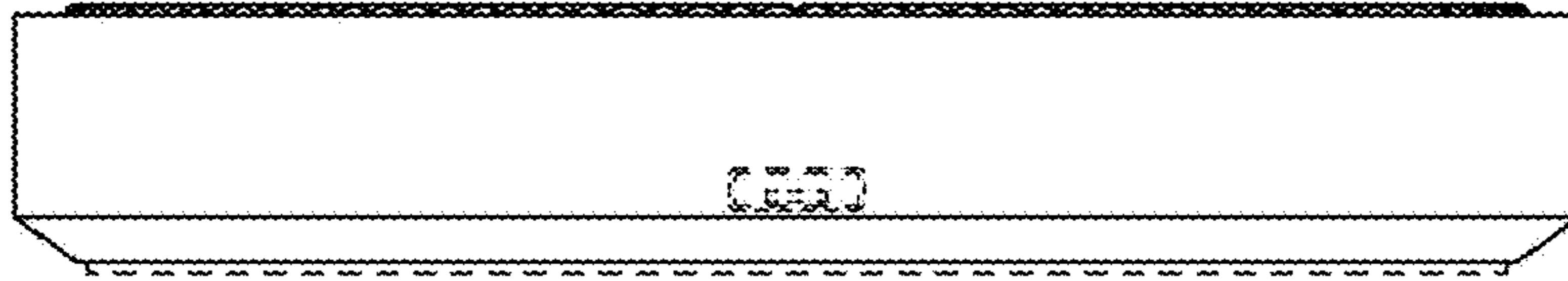


FIG. 5

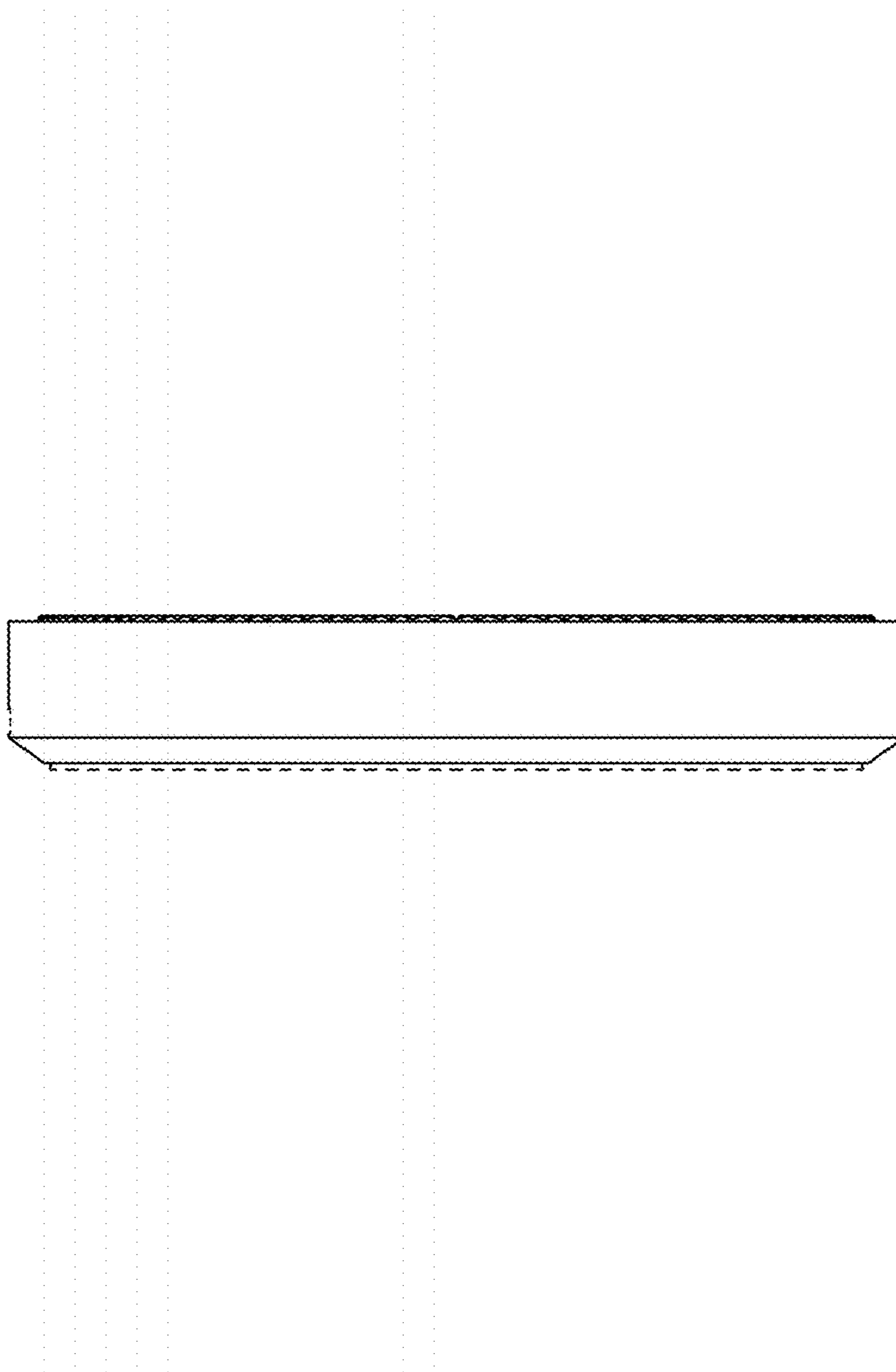


FIG. 6

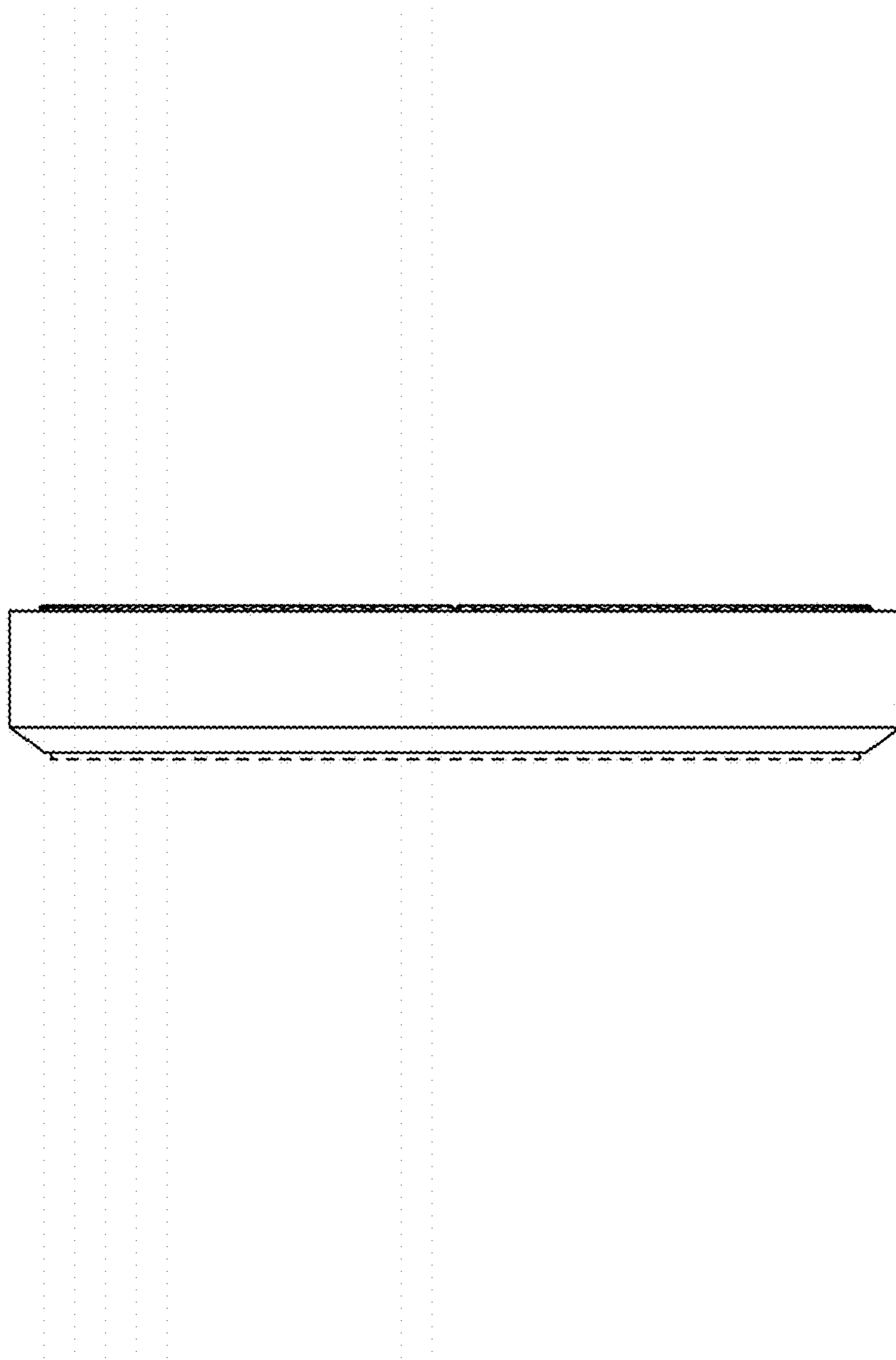




FIG. 7

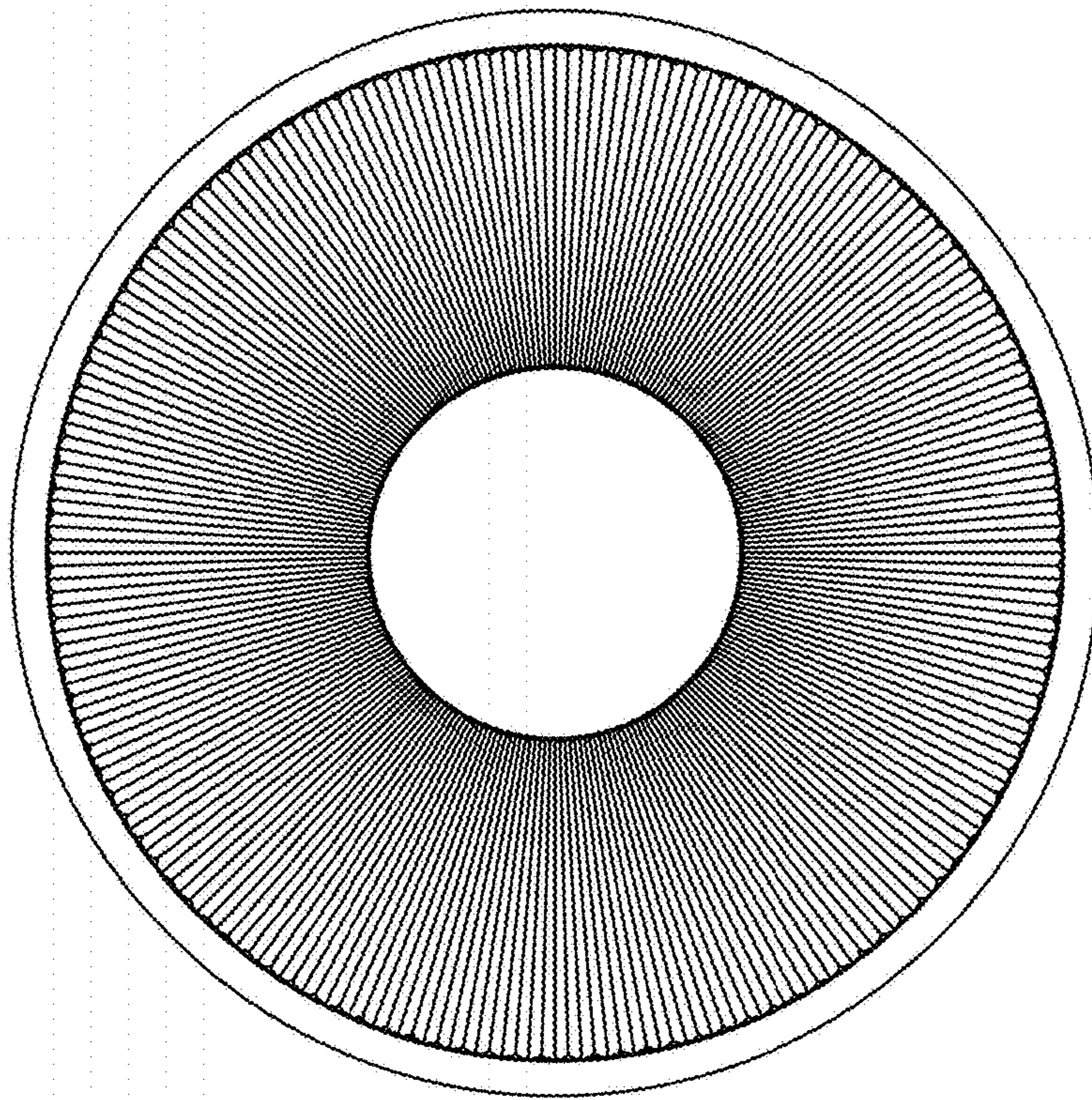


FIG. 8

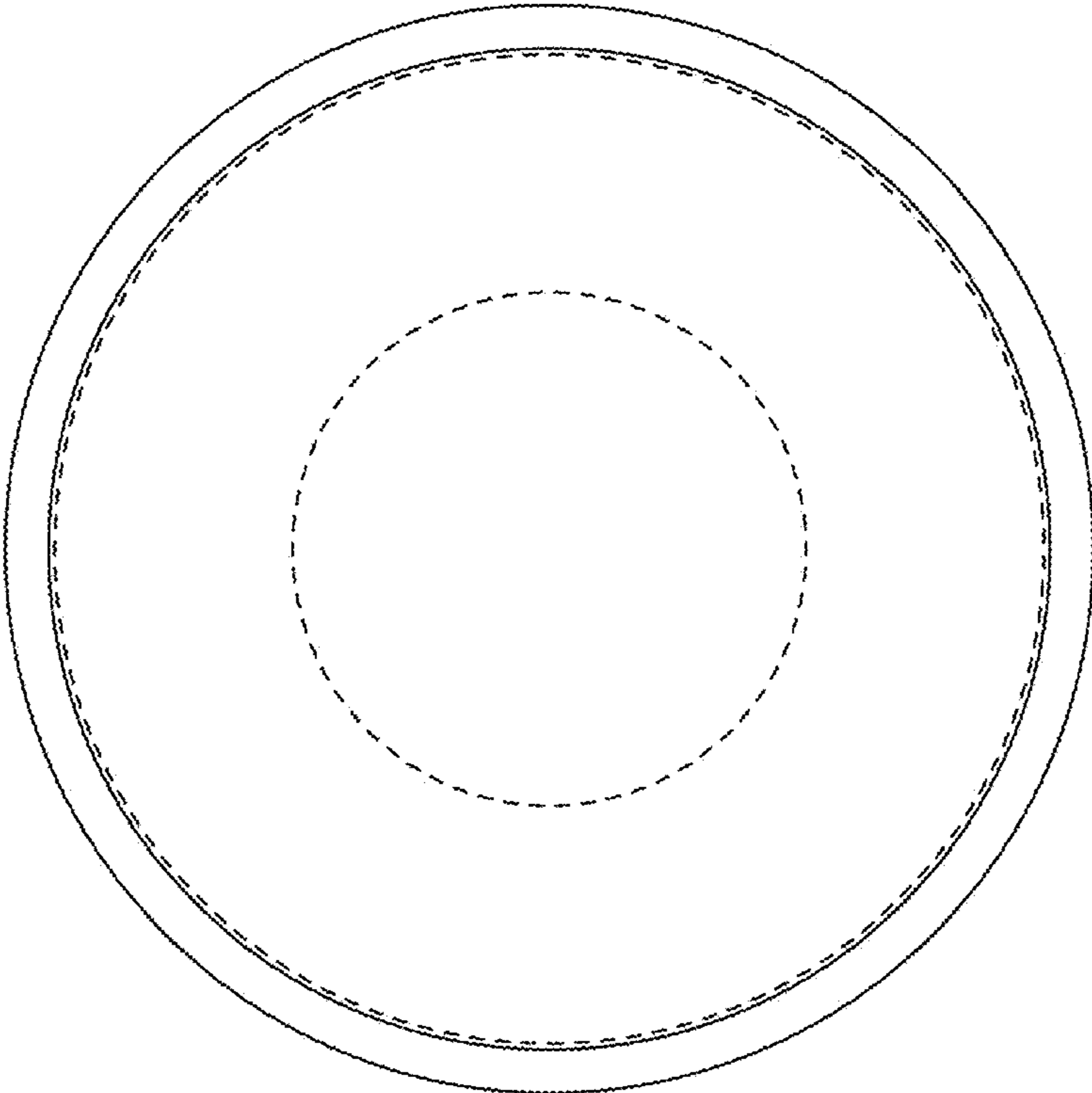


FIG. 9

